



US00D819276S

(12) **United States Design Patent**
Kramer

(10) **Patent No.:** **US D819,276 S**
(45) **Date of Patent:** **** May 29, 2018**

- (54) **FLOSSING TOOL**
- (71) Applicant: **Russell G. Kramer**, Sandwich, MA (US)
- (72) Inventor: **Russell G. Kramer**, Sandwich, MA (US)
- (**) Term: **15 Years**
- (21) Appl. No.: **29/564,462**
- (22) Filed: **May 13, 2016**
- (51) **LOC (11) Cl.** **28-03**
- (52) **U.S. Cl.**
USPC **D28/68**
- (58) **Field of Classification Search**
USPC D28/7, 8.2, 13, 20, 21, 28, 30, 31, 33, D28/44.2, 56-59, 73-74, 54.1, 68, 38; D4/104, 109, 111, 128; D24/152, 176, D24/209-210; D19/108-111, 37, 158, D19/161
CPC .. A61K 8/02; A61K 9/00; A46B 9/021; A46B 1/00; A46B 3/00; A46B 5/00; A46B 9/023; A46B 9/025; A46B 9/026; A46B 9/028; A46B 2200/1046; A61B 17/24; A61C 15/00; A61C 15/04; A61C 15/043; A61C 15/046; A61C 15/048; A45D 19/00; A45D 19/0008; A45D 2019/0041; A45D 2019/0066; A45D 44/00; A45D 29/00; A45D 29/20; A45D 29/22; A45D 29/14; A45D 29/06; A45D 29/11; A45D 29/12; A45D 2029/002; A45D 34/04; A45D 34/041; A45D 26/00; A45D 40/26; A45D 40/20; B65D 47/42; B43K 5/1845; B43K 5/06; B43M 11/06
See application file for complete search history.

- 2,059,287 A * 11/1936 Storm A61C 15/046 132/323
 - 2,176,069 A * 10/1939 Goulet A61C 15/046 132/327
 - 2,668,971 A * 2/1954 Bagley, Jr. A46B 5/00 15/145
 - D216,545 S * 2/1970 Russell D28/68
 - 3,631,869 A 1/1972 Espinosa
 - 3,642,011 A * 2/1972 Thompson A61C 15/046 132/323
 - 3,672,377 A 6/1972 Greenacre
 - D226,917 S 5/1973 Foster
 - 3,759,272 A 9/1973 Di Vincenti
 - 3,814,114 A * 6/1974 Roberts A61C 15/046 132/325
 - 3,843,297 A 10/1974 Espinosa
 - 3,858,594 A 1/1975 Ensminger
- (Continued)

- (56) **References Cited**
U.S. PATENT DOCUMENTS
1,233,687 A 7/1917 Muchow
2,047,456 A 7/1936 Barsch

OTHER PUBLICATIONS

“Flossaid dental floss holder—3 pack,” [online], posted Mar. 27, 2012, retrieved Jul. 12, 2017, retrieved from <https://www.amazon.com/Flossaid-Dental-Floss-Holder-Pack/dp/B00VQTRQ56/ref=sr_1_11_a_it?ie=UTF8&qid=1499881724&sr=8-11&keywords=dental+flosser>.*

Primary Examiner — Shannon W Morgan
(74) *Attorney, Agent, or Firm* — John P. McGonagle

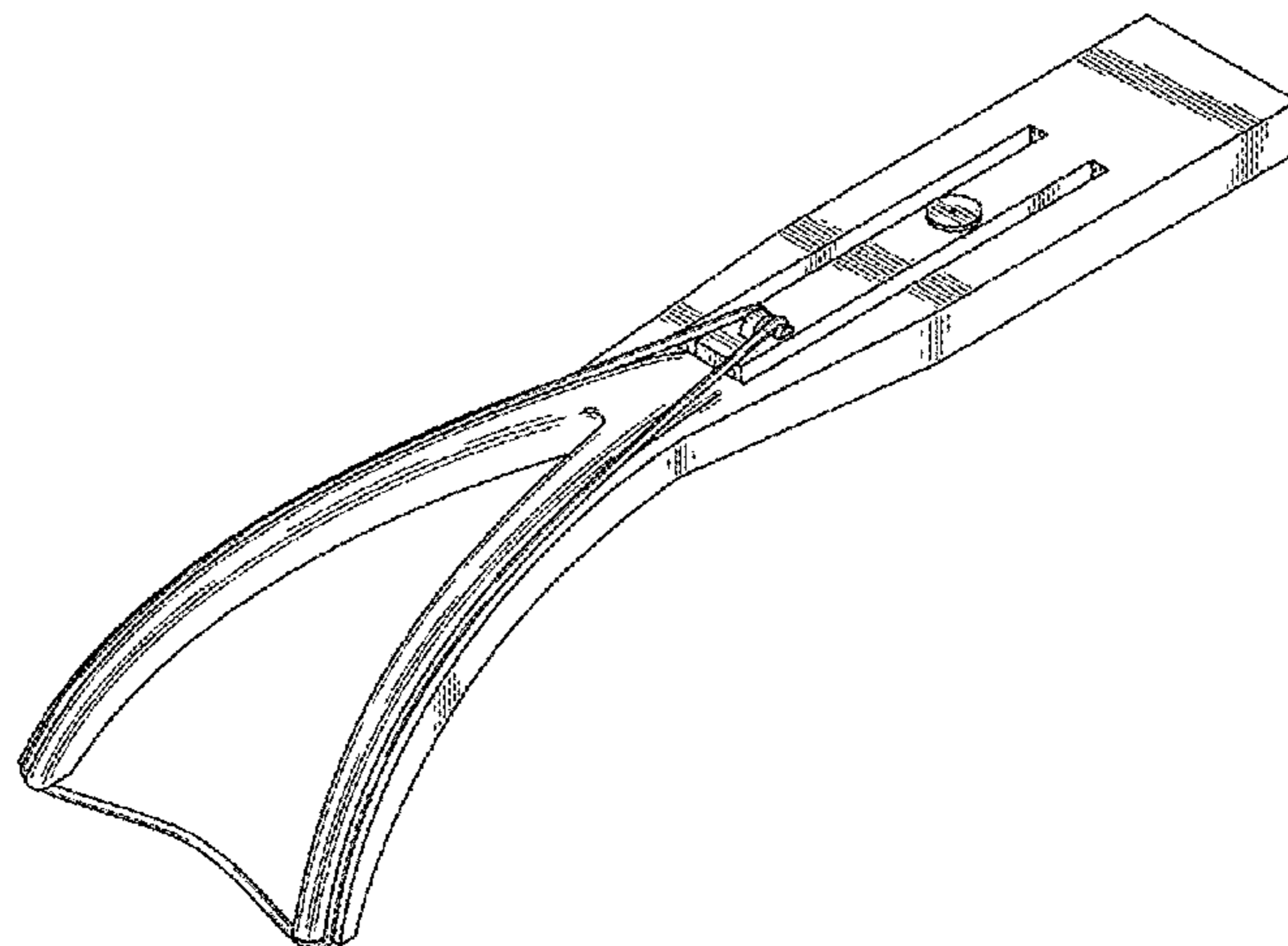
(57) **CLAIM**

The ornamental design for a flossing tool, as shown.

DESCRIPTION

FIG. 1 is a top perspective view of a flossing tool showing my new design;
FIG. 2 is top view thereof;
FIG. 3 is a right side view thereof;
FIG. 4 is a left side view thereof;
FIG. 5 is a bottom view thereof;
FIG. 6 is a front view thereof; and,
FIG. 7 is a rear view thereof.

1 Claim, 4 Drawing Sheets



(56)

References Cited

U.S. PATENT DOCUMENTS

3,871,392	A *	3/1975	Thomas	A61C 15/046	5,573,021	A *	11/1996	Grofcisk	A61C 15/046
					132/323						132/324
3,908,677	A *	9/1975	Beach	A61C 15/046	5,613,508	A *	3/1997	Bushman	A61C 15/046
					132/325						132/325
D251,074	S	2/1979	Schiff			5,678,578	A *	10/1997	Kossak	A61C 15/046
4,162,687	A *	7/1979	Lorch	A61C 15/046						132/322
					132/323	D386,617	S *	11/1997	Shyu	D28/68
4,178,947	A	12/1979	McCourry et al.			5,819,769	A	10/1998	Gutierrez		
4,508,125	A	4/1985	Loubier			5,860,435	A	1/1999	Hippensteel		
4,738,271	A *	4/1988	Bianco	A61C 15/046	D412,043	S	7/1999	Dolan et al.		
					132/323	D420,805	S *	2/2000	Bahl	D28/68
D296,370	S *	6/1988	Lewis	D28/68	D424,748	S	5/2000	Dolan et al.		
4,790,336	A *	12/1988	Kuo	A61C 15/046	6,065,479	A	5/2000	Chodorow		
					132/323	6,164,294	A *	12/2000	Takabu	A61C 15/046
4,832,062	A *	5/1989	Grollimund	A61C 15/046						132/323
					132/324	6,220,256	B1	4/2001	Dolan et al.		
D301,770	S *	6/1989	Bethany	D28/68	D448,082	S *	9/2001	Blank	D24/152
D310,274	S *	8/1990	Wisegerber	D28/68	6,748,958	B1 *	6/2004	Gwen	A61C 15/046
D310,583	S *	9/1990	Pickett	D28/68						132/327
D313,091	S *	12/1990	Kuo	D28/68	6,752,158	B1	6/2004	Gwen		
D313,875	S *	1/1991	Chen	D28/68	D533,965	S *	12/2006	Chodorow	D28/68
5,038,806	A *	8/1991	Ewald	A61C 15/046	D539,479	S *	3/2007	Berry Pitts	D28/68
					132/324	7,588,035	B2 *	9/2009	Ponzini	A61C 15/046
D319,710	S *	9/1991	Lorenzana	D28/66						132/321
5,094,256	A *	3/1992	Barth	A61C 15/00	D609,405	S *	2/2010	Jansheski	D28/66
					132/322	D624,703	S	9/2010	Misner et al.		
5,139,038	A	8/1992	El Gazayerli			8,555,901	B2	10/2013	Misner et al.		
D330,092	S	10/1992	Starr			2003/0226575	A1 *	12/2003	Lee	A61C 15/046
5,183,064	A *	2/1993	Barth	A61C 15/00						132/327
					132/321	2004/0035439	A1 *	2/2004	Lai	A61C 15/047
5,280,797	A	1/1994	Fry								132/322
D348,332	S *	6/1994	Haggett-King	D28/68	2006/0042650	A1 *	3/2006	Ochs	A61C 15/00
D354,154	S *	1/1995	Topelko	D28/68						132/323
5,388,600	A *	2/1995	Hart	A61C 15/046	2009/0148808	A1 *	6/2009	Alexander	A46B 15/0002
					132/323						433/29
D358,002	S *	5/1995	Rakocy	D28/68	2012/0042897	A1 *	2/2012	Raybould	A61C 15/046
5,435,330	A	7/1995	Dix								132/325
5,495,863	A	3/1996	Bergman			2014/0144461	A1 *	5/2014	Chiang	A61C 15/041
5,538,023	A *	7/1996	Oczkowski	A61C 15/046						132/323
					132/323	2015/0059791	A1 *	3/2015	Sheppel	A61C 15/046
											132/200
						2017/0105517	A1 *	4/2017	Petrov	A46B 15/0071

* cited by examiner

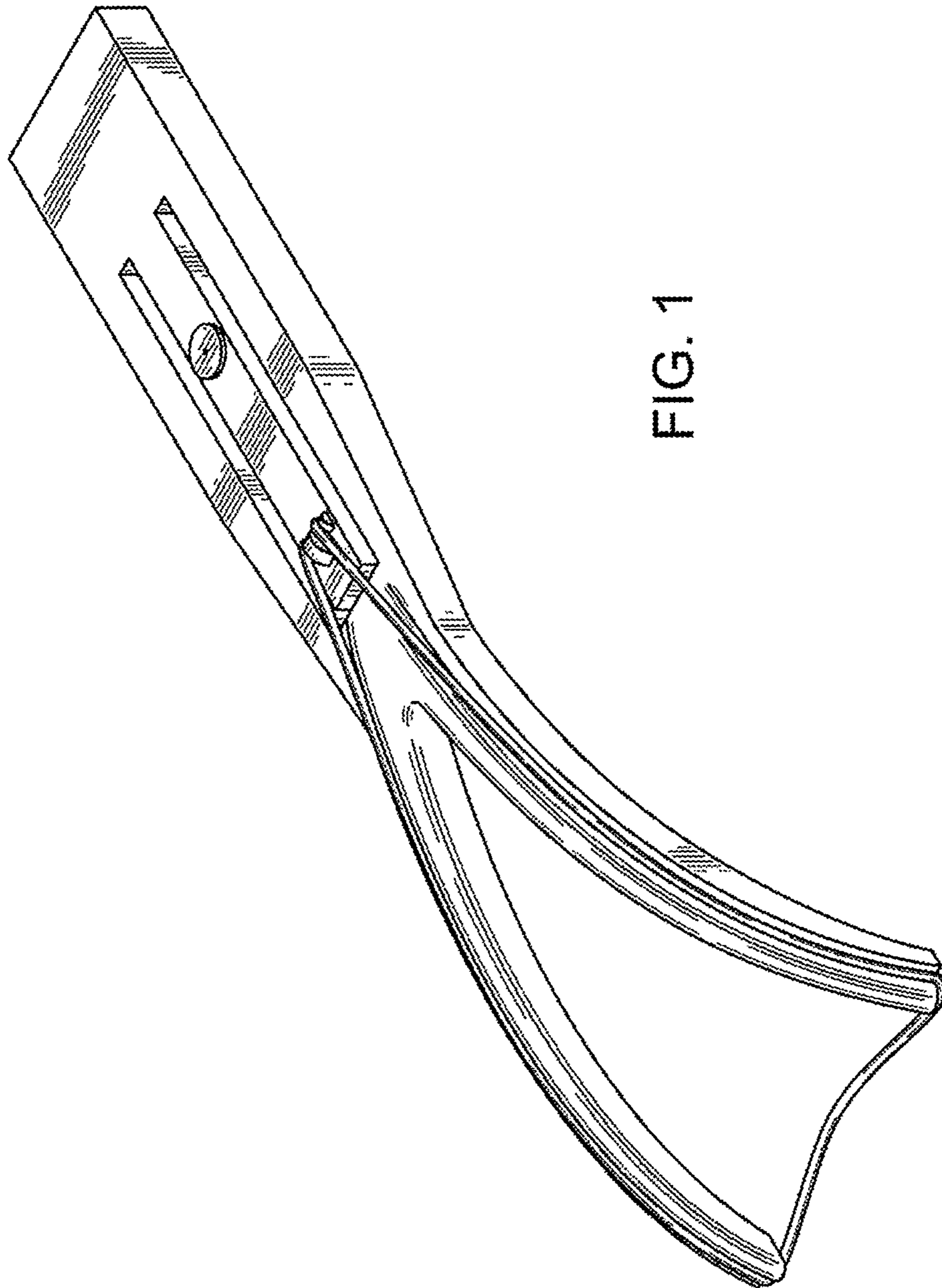


FIG. 1

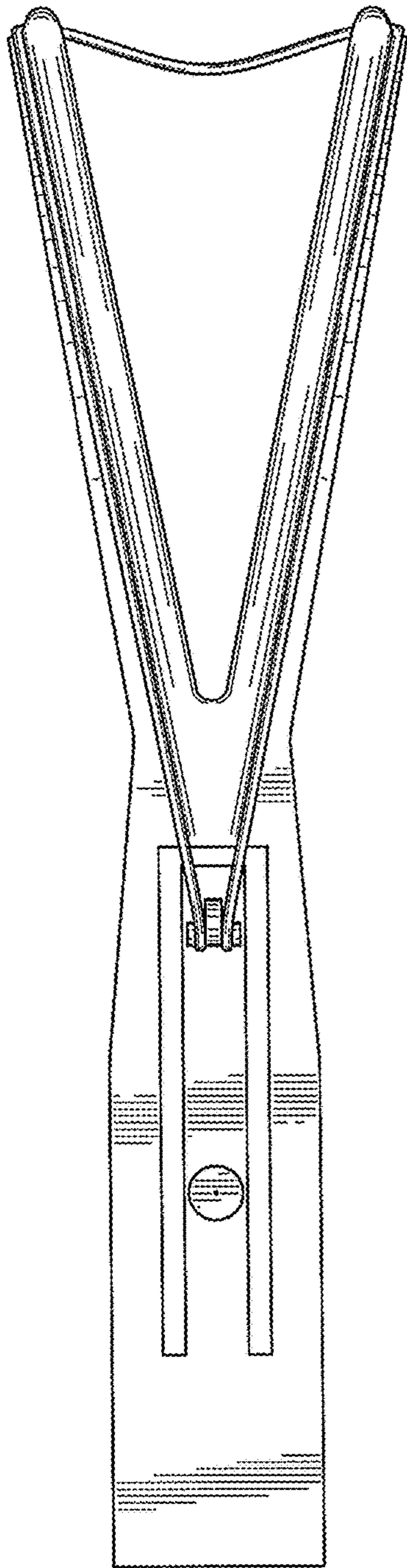


FIG. 2

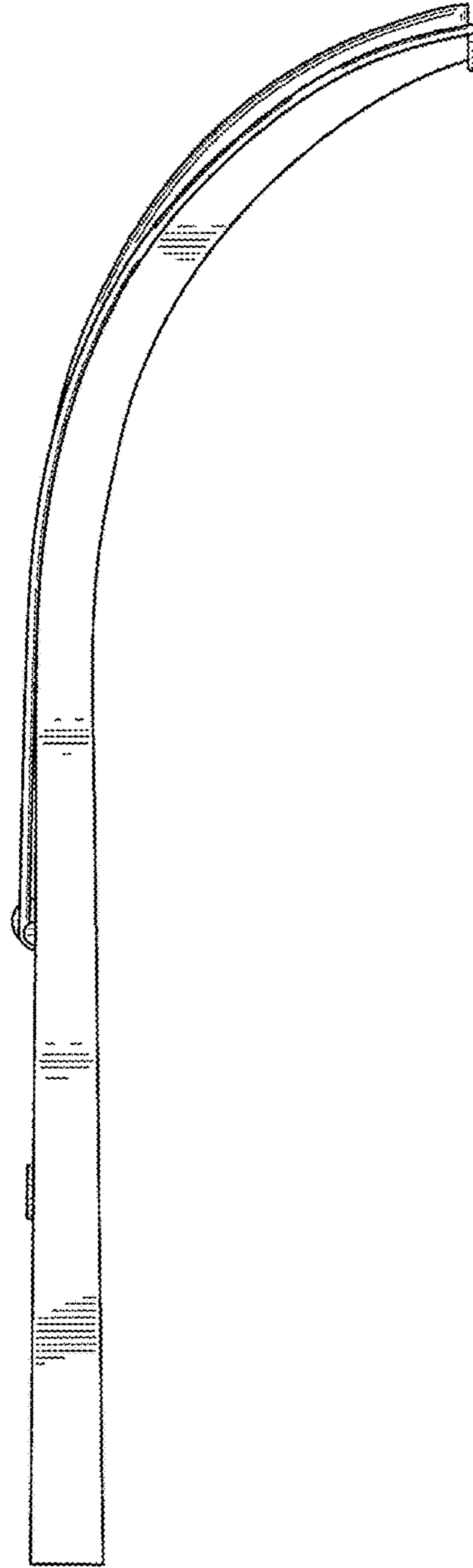


FIG. 3

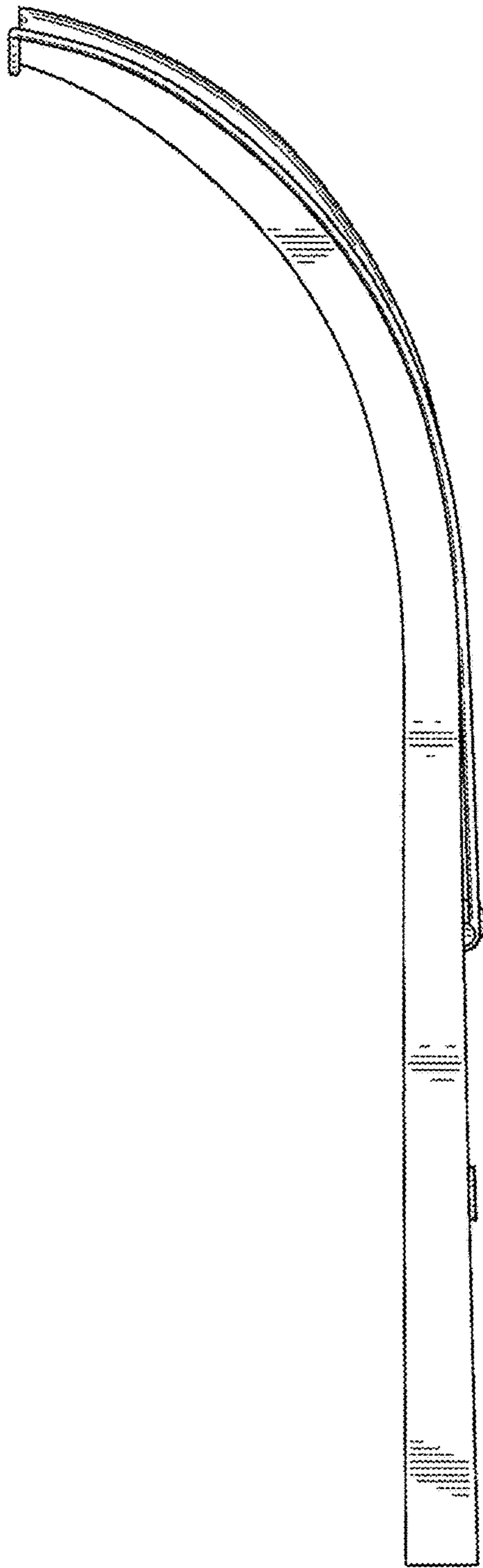


FIG. 4

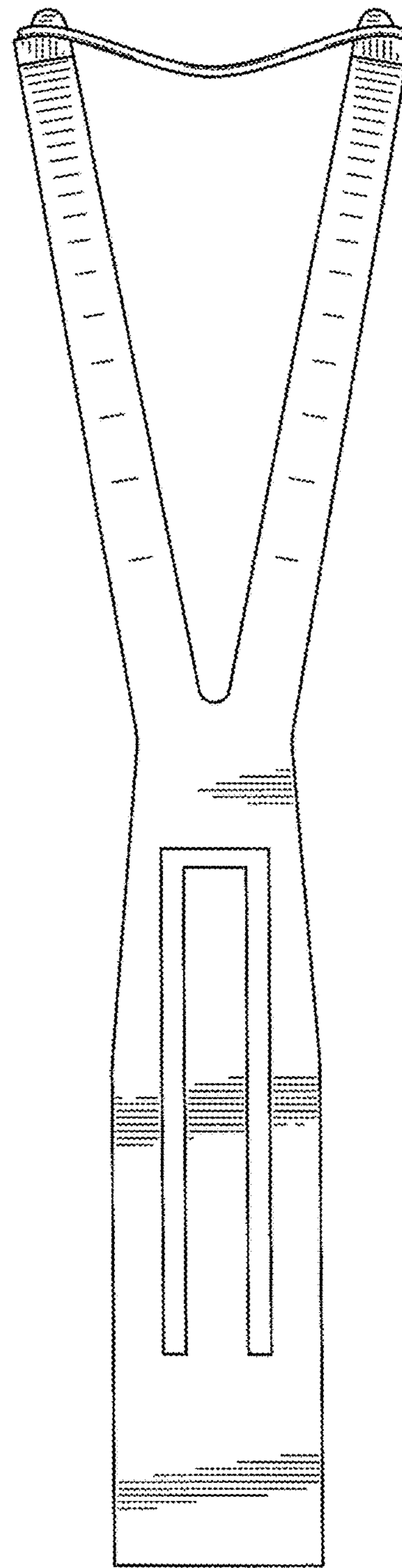


FIG. 5

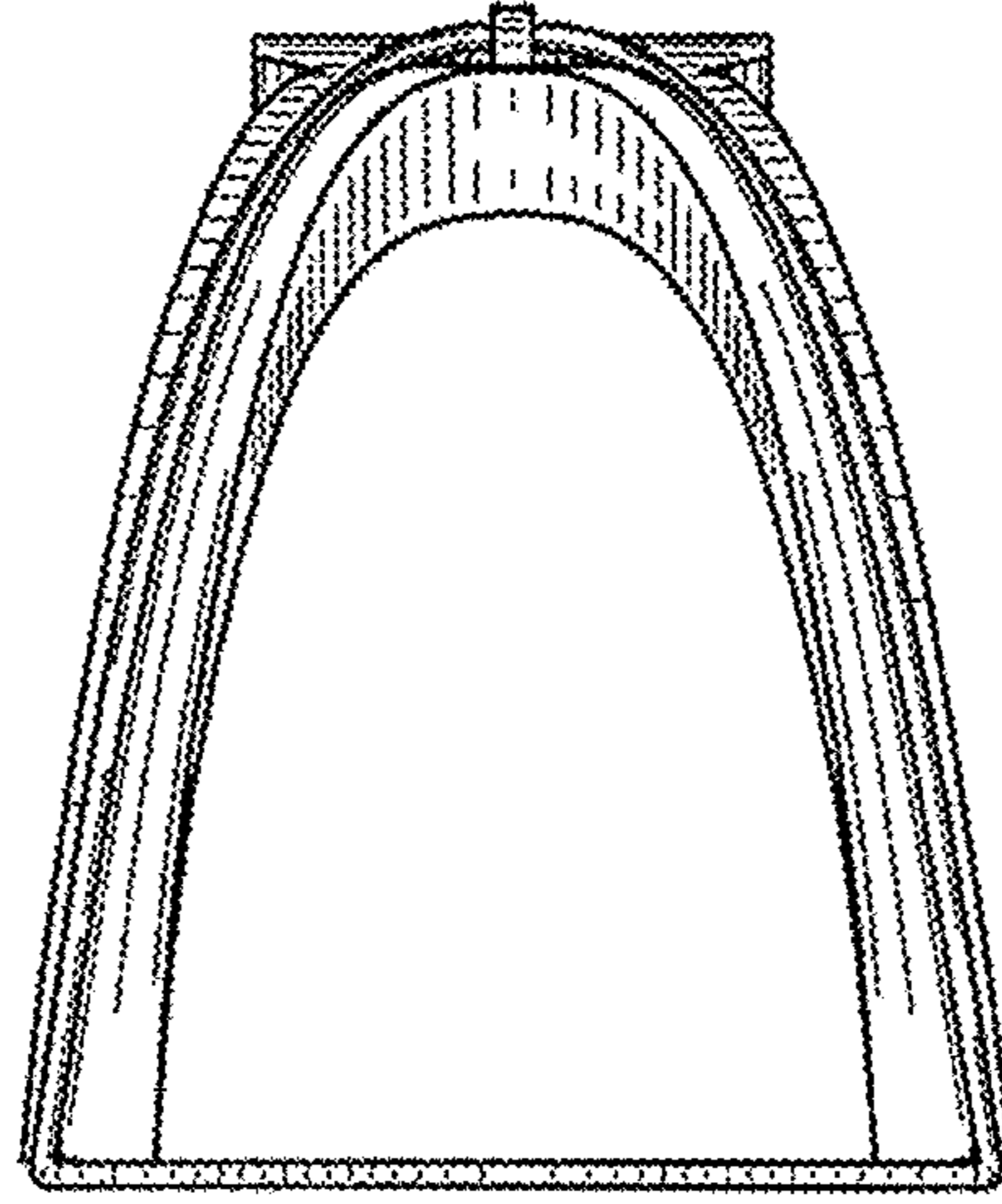


FIG. 6

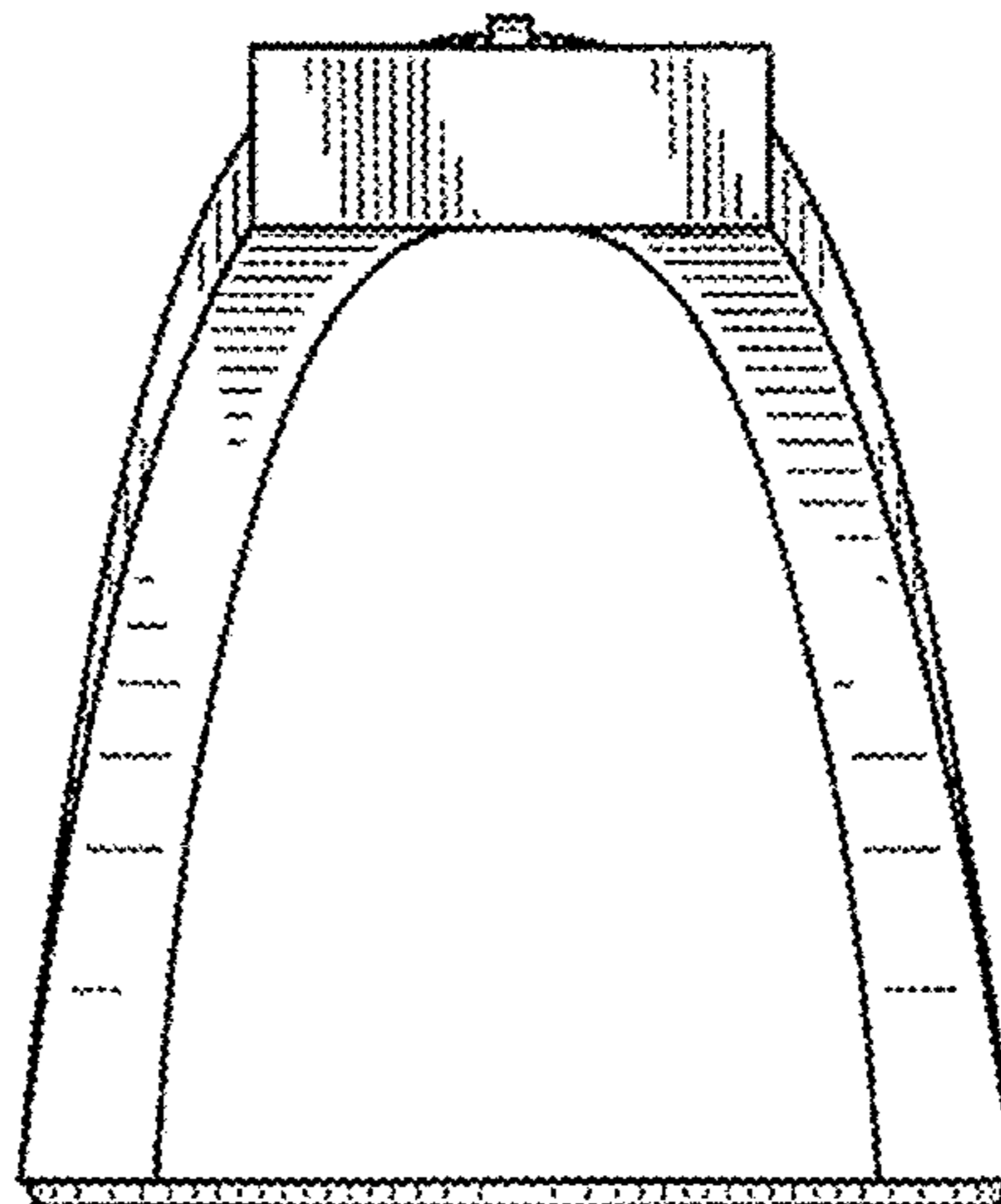


FIG. 7