



US00D819272S

(12) **United States Design Patent** (10) **Patent No.:** **US D819,272 S**  
**Evarts** (45) **Date of Patent:** **\*\* May 29, 2018**

(54) **RAZOR CARTRIDGE CONNECTOR**

(71) Applicant: **Edgewell Personal Care Brands, LLC.**, Chesterfield, MO (US)

(72) Inventor: **David Evarts**, Milford, CT (US)

(73) Assignee: **Edgewell Personal Care Brands, LLC**, Chesterfield, MO (US)

(\*\*) Term: **15 Years**

(21) Appl. No.: **29/570,321**

(22) Filed: **Jul. 7, 2016**

(51) **LOC (11) Cl.** ..... **28-03**

(52) **U.S. Cl.**  
USPC ..... **D28/47**

(58) **Field of Classification Search**  
USPC ..... D28/46-48, 45; 30/539-540  
CPC ..... B62B 21/00-21/12; B62B 21/14; B62B 21/165; B62B 21/18; B62B 21/24; B62B 21/30; B62B 21/32; B62B 21/40; B62B 21/4062; B62B 21/4068; B62B 21/4075; B62B 21/52-21/528; B26B 21/16; B26B 21/185; B26B 21/20-21/227; B26B 21/28; B26B 21/4012-21/4025; B26B 21/4081-21/4093; B26B 21/443; B26B 21/4037

See application file for complete search history.

(56) **References Cited**

**U.S. PATENT DOCUMENTS**

D533,684 S 12/2006 Gray et al.  
7,168,173 B2 1/2007 Worrick, III  
D556,378 S 11/2007 Watson et al.  
D575,454 S 8/2008 Keene et al.

D603,097 S \* 10/2009 Cataudella ..... D28/47  
D617,946 S 6/2010 Lukan et al.  
8,033,023 B2 10/2011 Johnson et al.  
D664,712 S \* 7/2012 Christie ..... D28/47  
D694,469 S \* 11/2013 Floyd ..... D28/48  
8,793,880 B2 8/2014 Taub et al.  
D737,513 S \* 8/2015 Lettenberger ..... D28/47  
D741,008 S \* 10/2015 Bruno ..... D28/47  
D772,484 S \* 11/2016 Otsuka ..... D28/47  
D775,423 S \* 12/2016 Bae ..... D28/47

**OTHER PUBLICATIONS**

www.youtube.com review of hydro connect razor, reviewed Jun. 2017, 2 pages, downloaded Dec. 11, 2017.\*

\* cited by examiner

*Primary Examiner* — Jennifer Rivard

(74) *Attorney, Agent, or Firm* — Edgewell Personal Care Brands, LLC

(57) **CLAIM**

I claim the ornamental design for the razor cartridge connector, as shown and described.

**DESCRIPTION**

FIG. 1 is an upper front perspective view of a razor cartridge connector.

FIG. 2 is an upper rear perspective view thereof.

FIG. 3 is a lower perspective view thereof.

FIG. 4 is a front view thereof.

FIG. 5 is a rear view thereof.

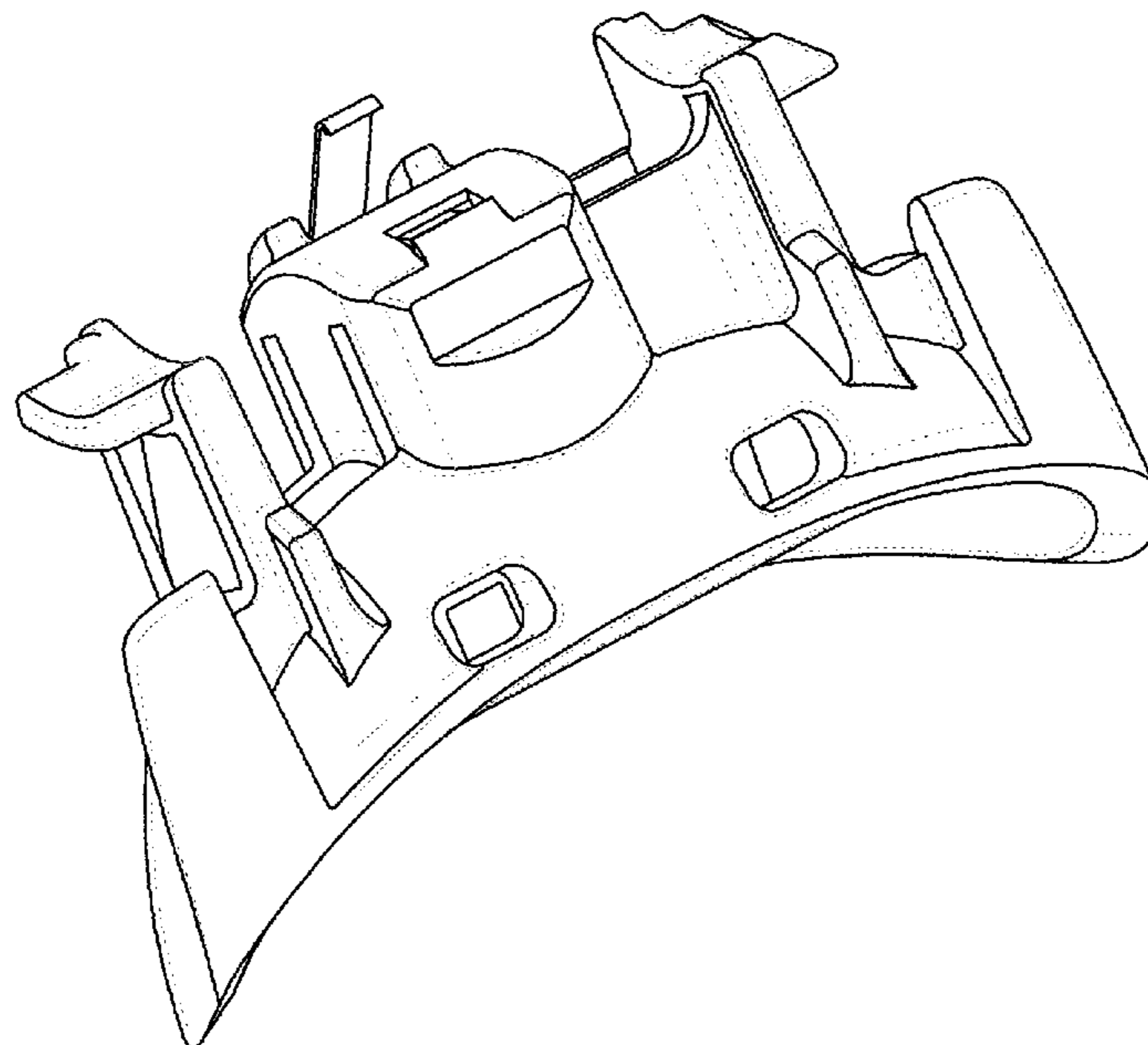
FIG. 6 is a bottom view thereof.

FIG. 7 is a top view thereof.

FIG. 8 is a left side view of FIG. 4; and,

FIG. 9 is a right side view of FIG. 4.

**1 Claim, 5 Drawing Sheets**



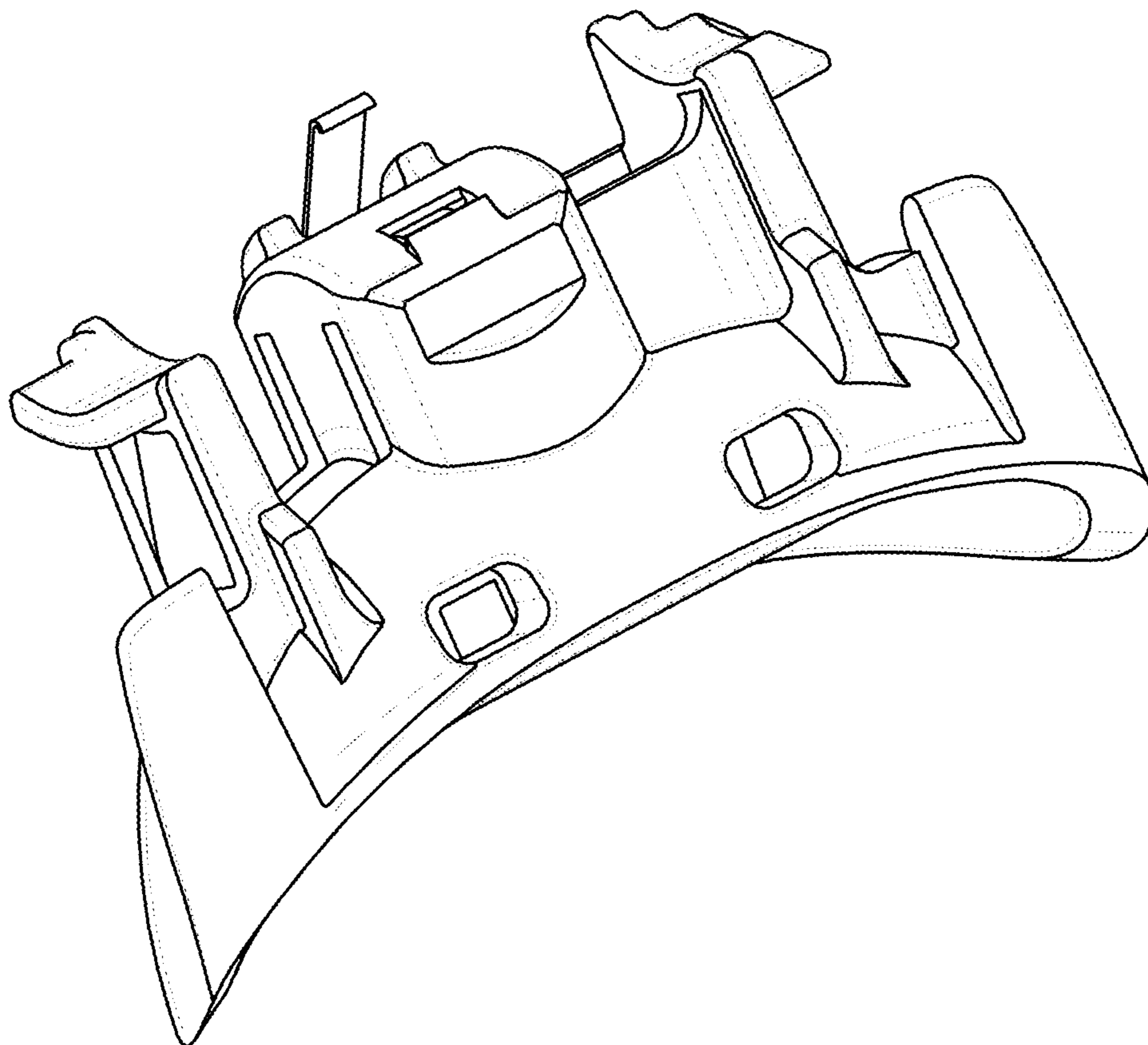


FIG. 1

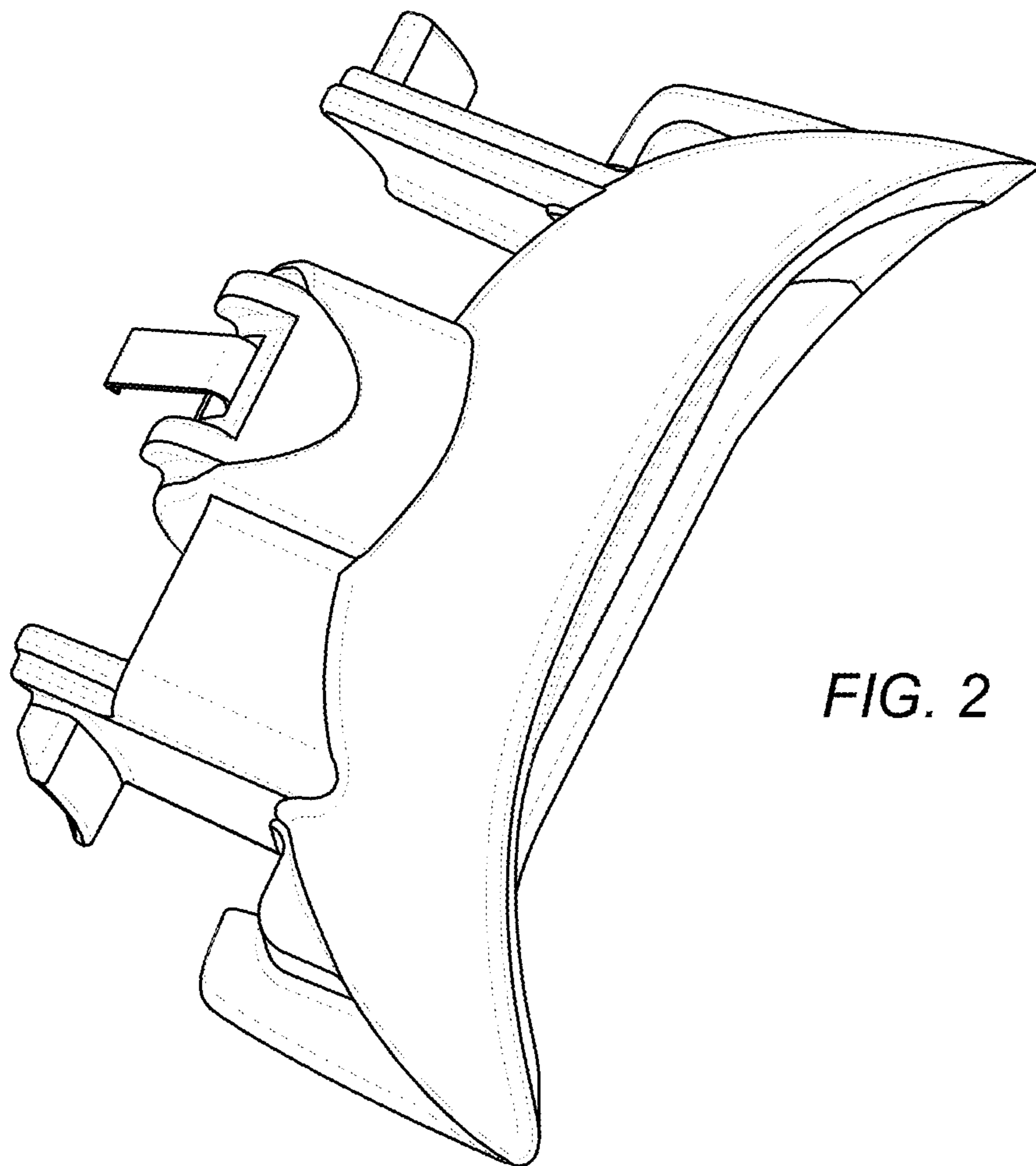


FIG. 2

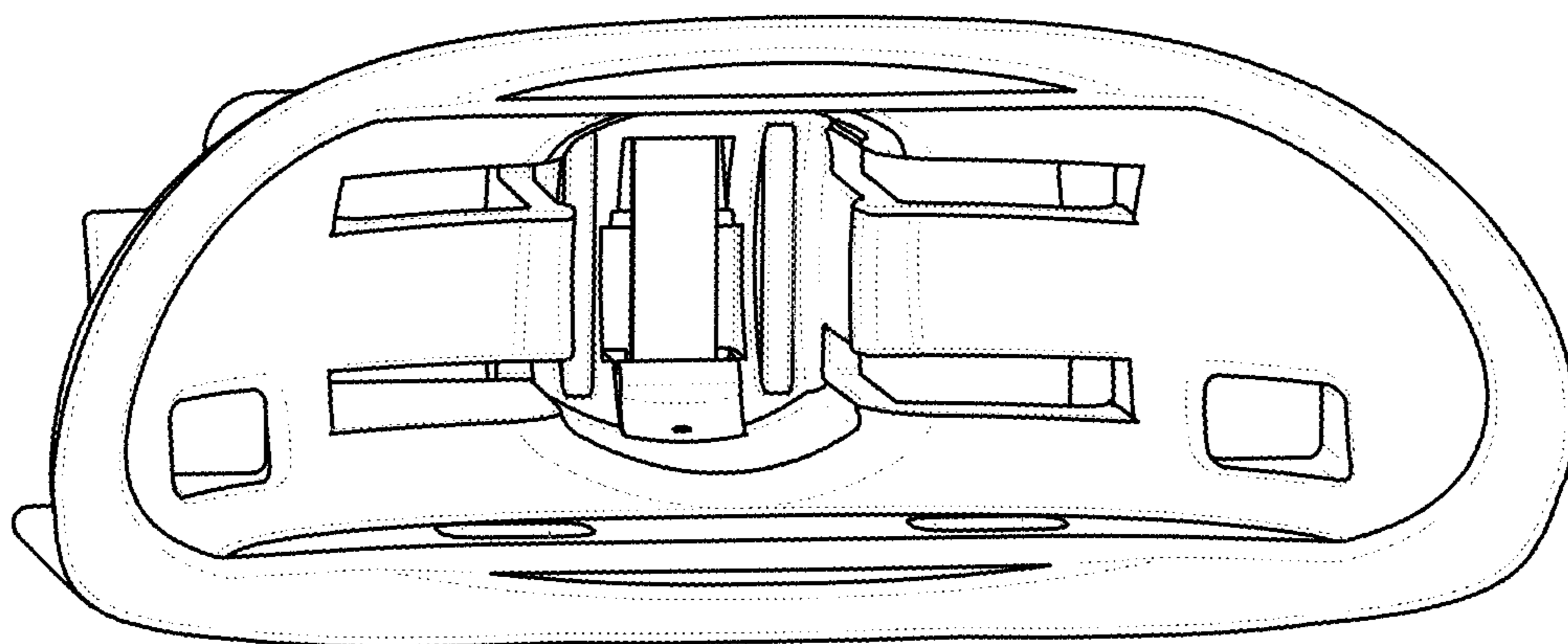


FIG. 3

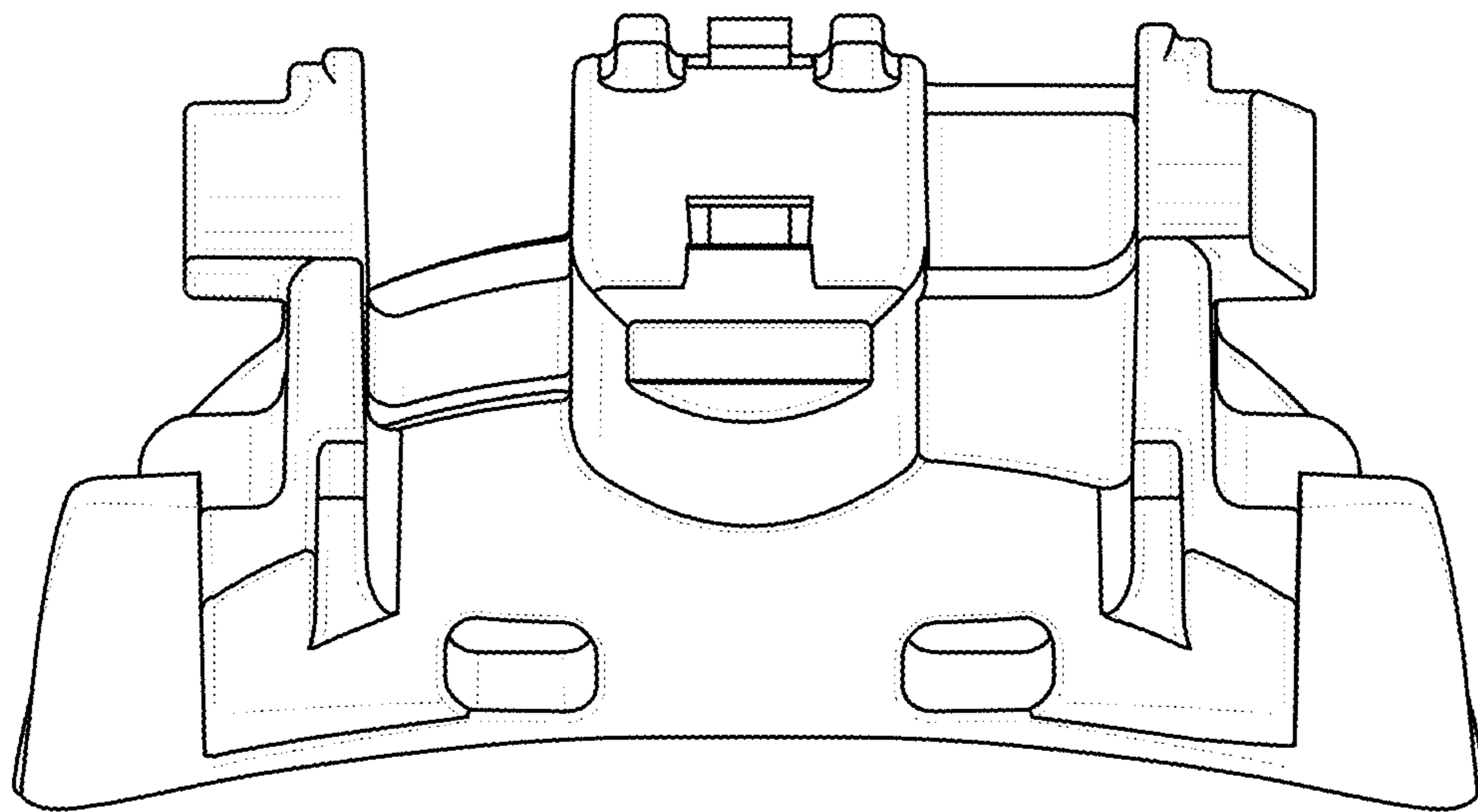


FIG. 4

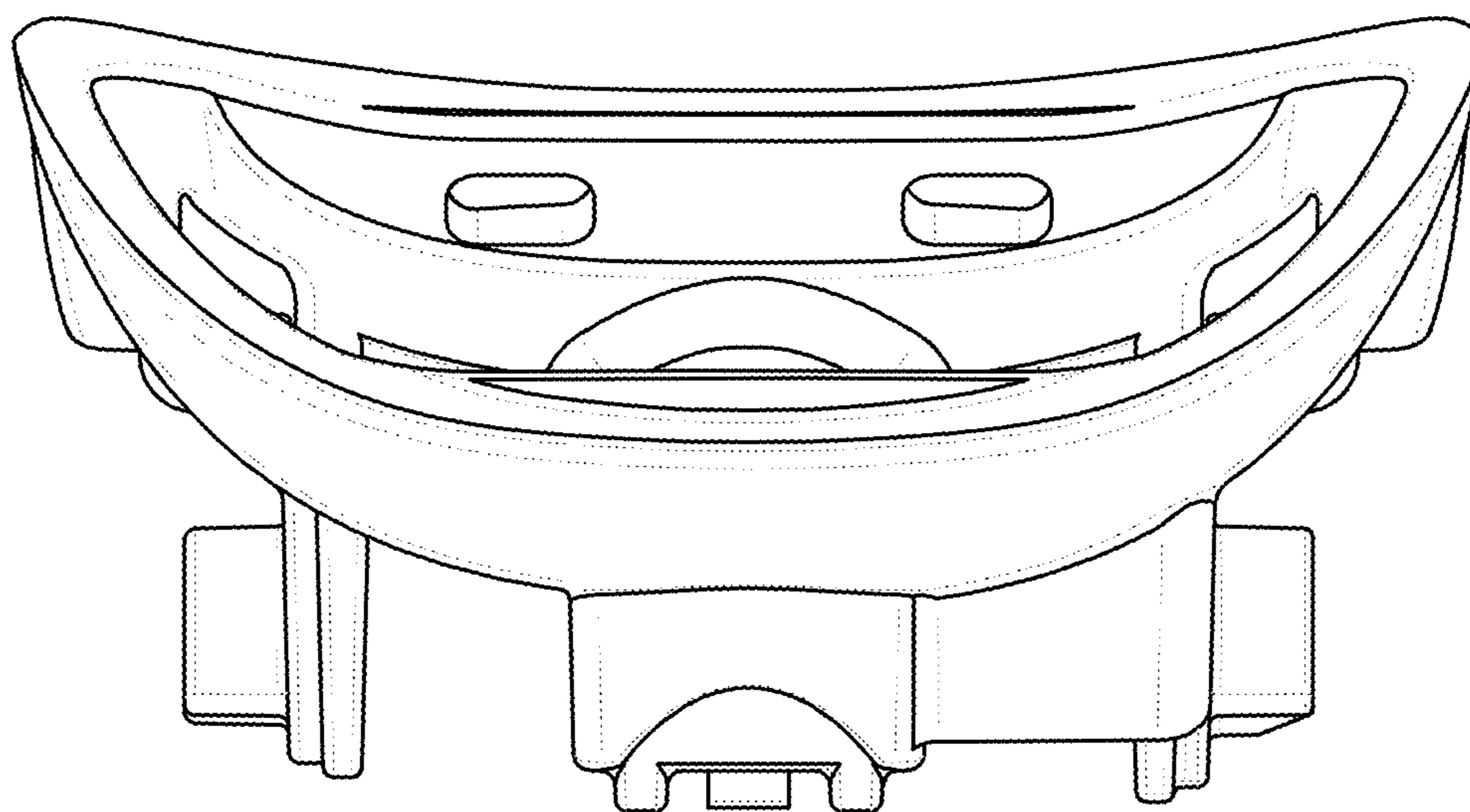


FIG. 5

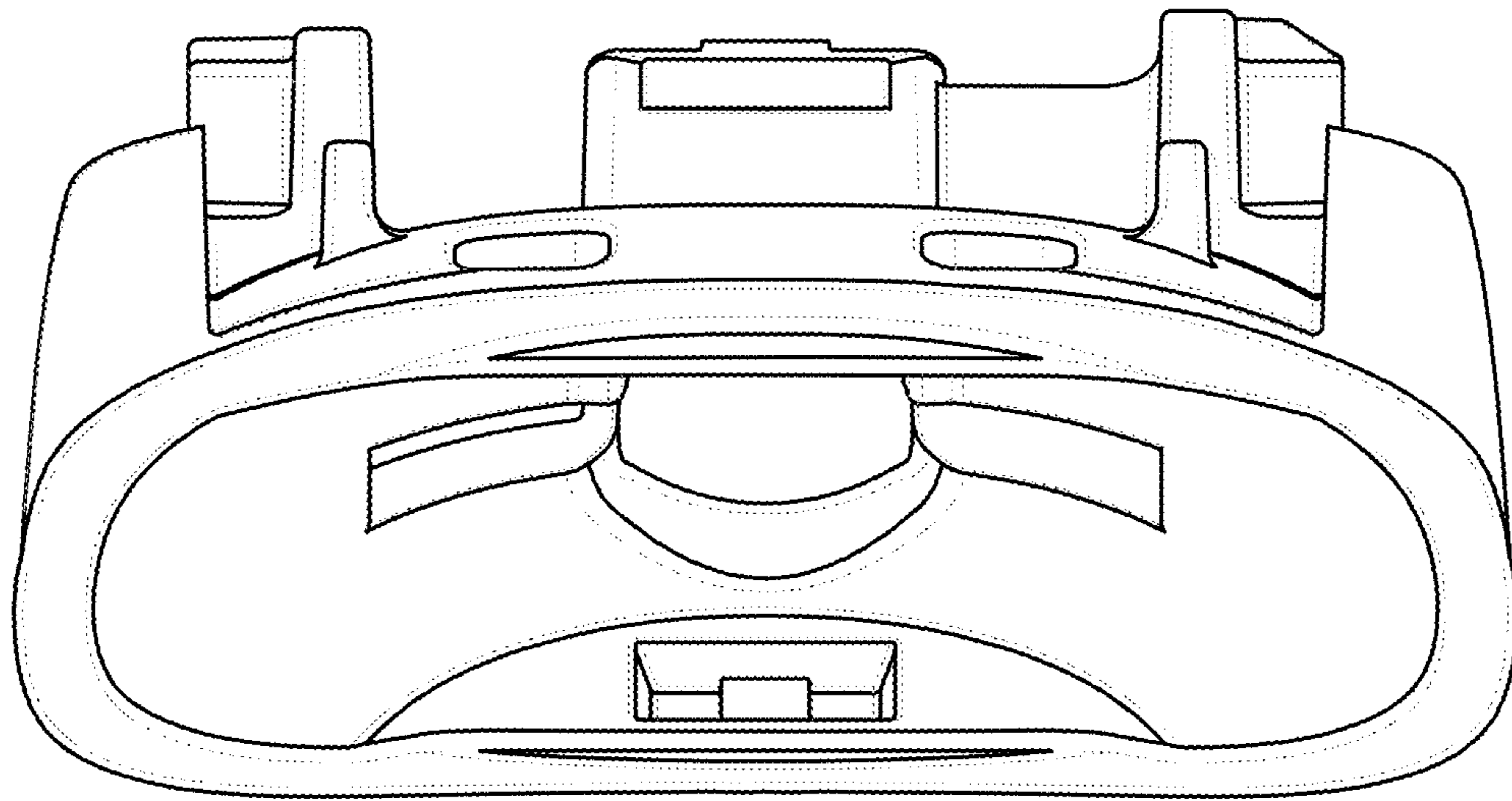


FIG. 6

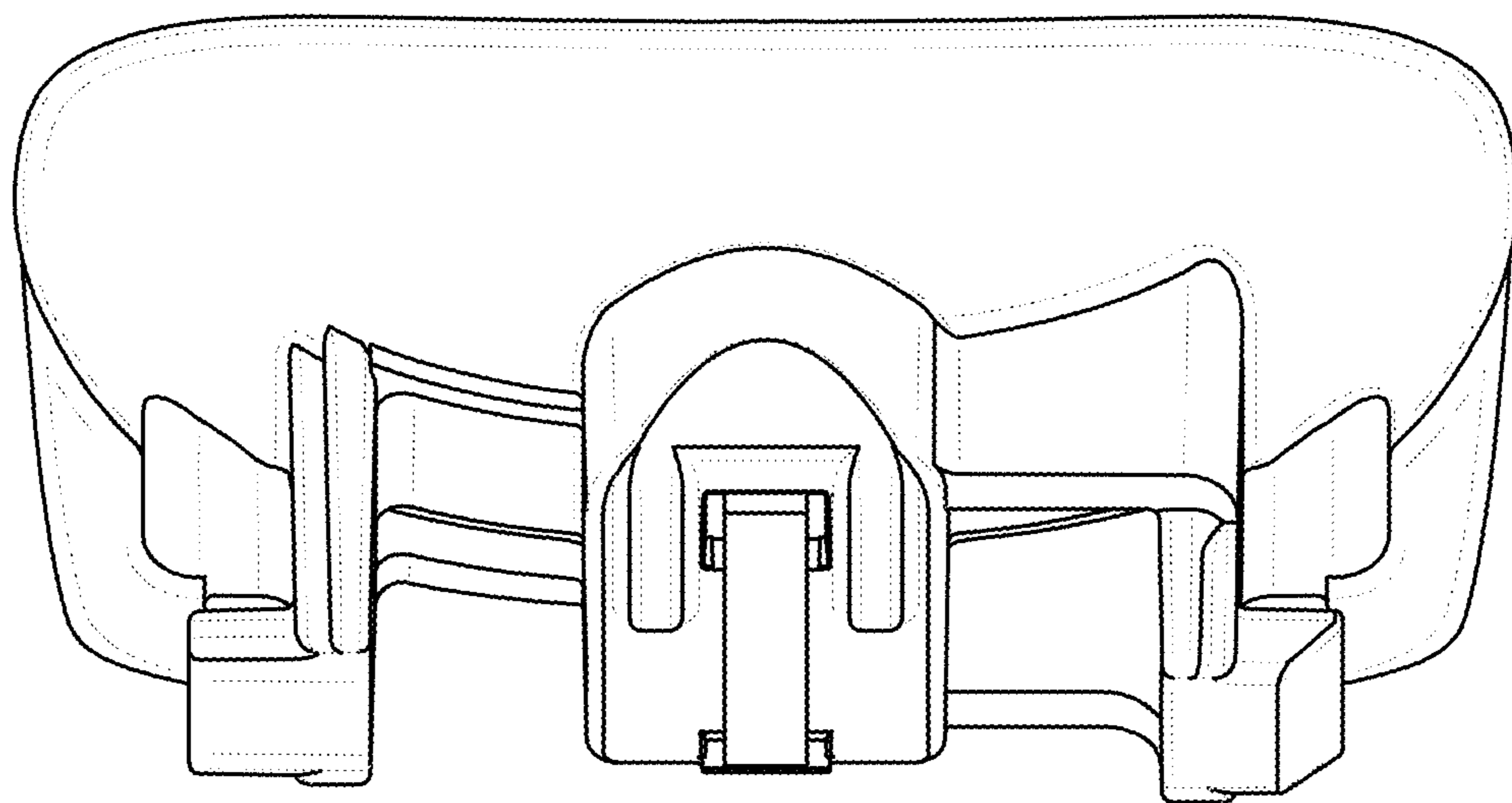


FIG. 7

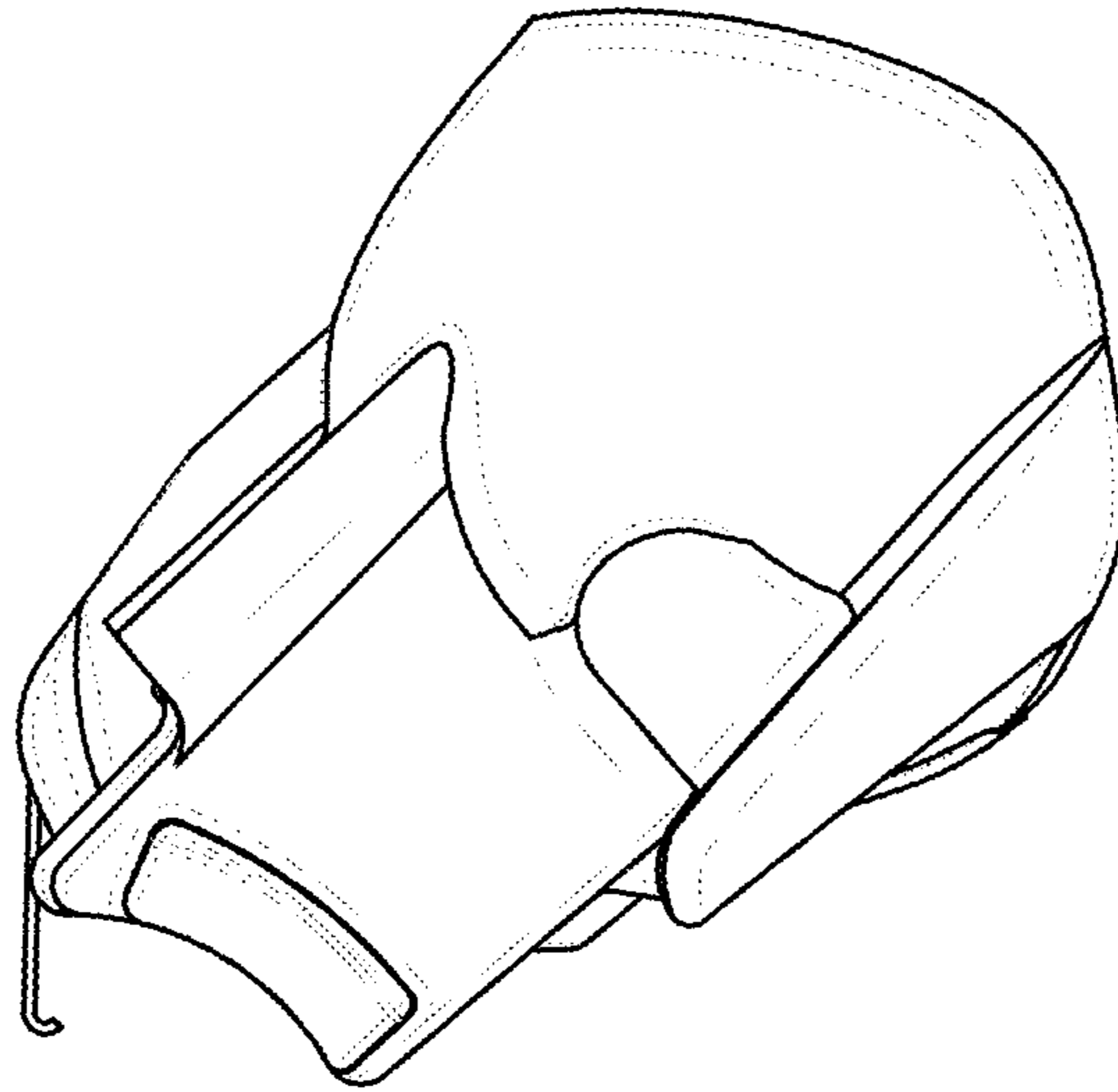


FIG. 9

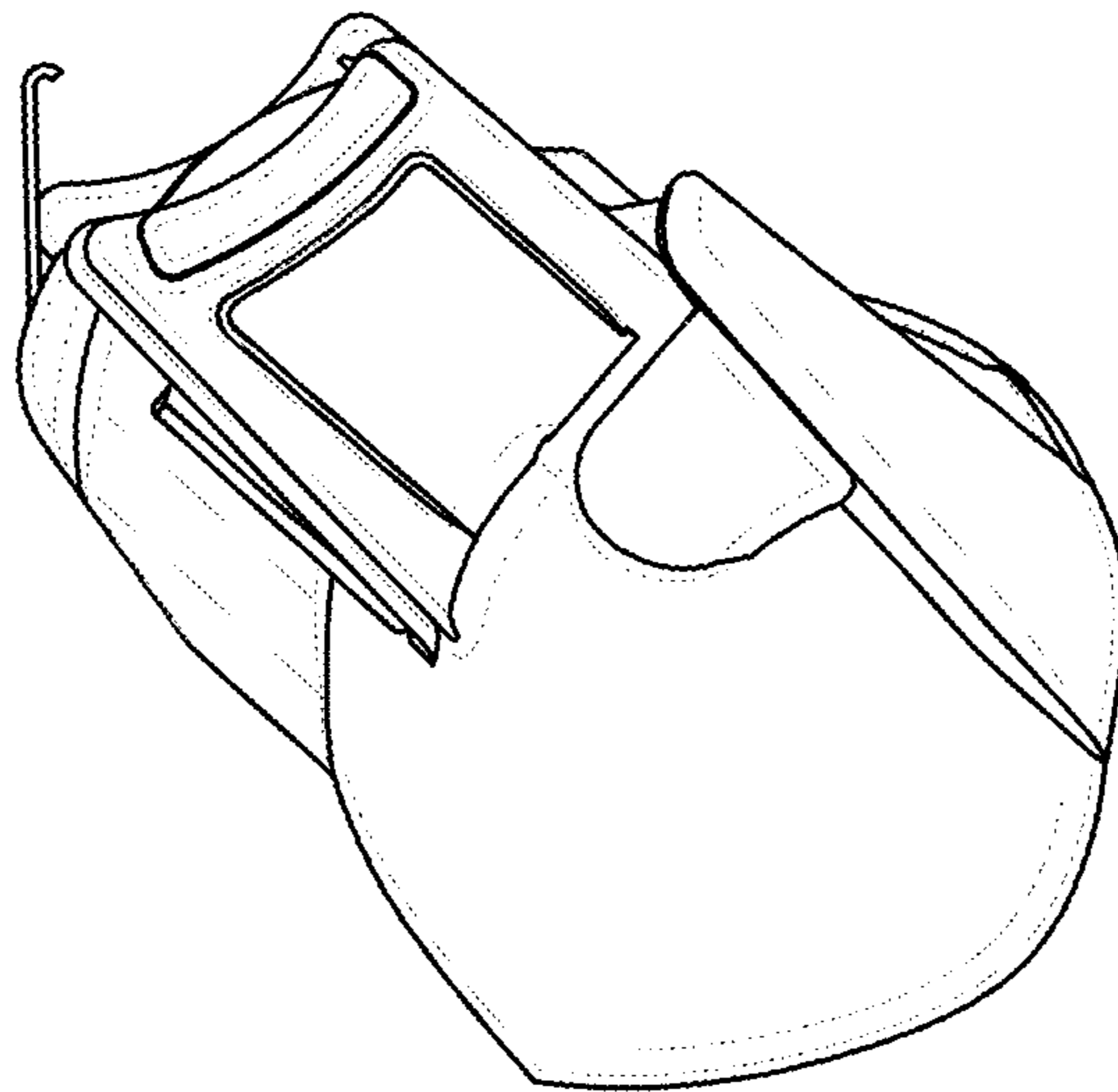


FIG. 8