



US00D819271S

(12) **United States Design Patent** (10) **Patent No.:** **US D819,271 S**  
**Evarts** (45) **Date of Patent:** **\*\* May 29, 2018**

(54) **RAZOR CARTRIDGE**  
(71) Applicant: **Edgewell Personal Care Brands, LLC**, Chesterfield, MO (US)  
(72) Inventor: **David Evarts**, Milford, CT (US)  
(73) Assignee: **Edgewell Personal Care Brands, LLC**, Chesterfield, MO (US)  
(\*\*) Term: **15 Years**  
(21) Appl. No.: **29/570,310**  
(22) Filed: **Jul. 7, 2016**  
(51) **LOC (11) Cl.** ..... **28-03**  
(52) **U.S. Cl.**  
USPC ..... **D28/47**  
(58) **Field of Classification Search**  
USPC ..... D28/46–48, 45  
CPC ..... B62B 21/00–21/12; B62B 21/14; B62B 21/18; B62B 21/24; B62B 21/30; B62B 21/32; B62B 21/40; B62B 21/4062; B62B 21/4068; B62B 21/4075; B62B 21/52–21/528; B26B 21/16; B26B 21/20–21/227; B26B 21/4012–21/4025; B26B 21/4081–21/4093; B26B 21/443; B26B 21/4037  
See application file for complete search history.

D664,712 S \* 7/2012 Christie ..... D28/47  
D694,469 S \* 11/2013 Floyd ..... D28/48  
8,793,880 B2 8/2014 Taub et al.  
D737,513 S \* 8/2015 Lettenberger ..... D28/47  
D741,008 S \* 10/2015 Bruno ..... D28/47  
D772,484 S \* 11/2016 Otsuka ..... D28/47  
D775,423 S \* 12/2016 Bae ..... D28/47

**OTHER PUBLICATIONS**

www.youtube.com review of hydro connect razor first review video, reviewed Jun. 2017, downloaded Dec. 11, 2017, 2 pages.\*

\* cited by examiner

*Primary Examiner* — Jennifer Rivard  
(74) *Attorney, Agent, or Firm* — Edgewell Personal Care Brands, LLC

(57) **CLAIM**

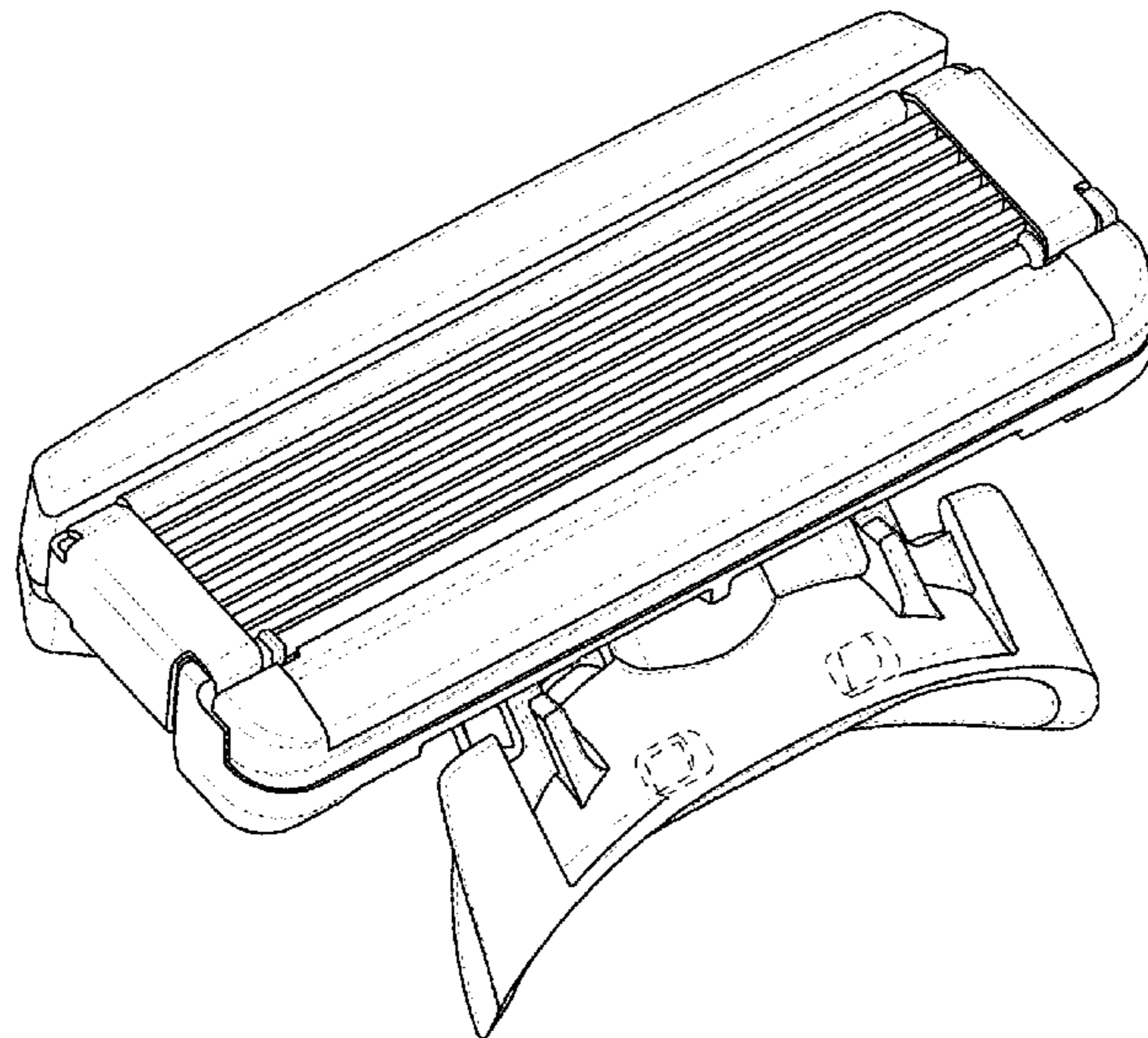
I claim the ornamental design for the razor cartridge, as shown and described.

**DESCRIPTION**

FIG. 1 is an upper front perspective view of a razor cartridge.  
FIG. 2 is an upper rear perspective view thereof.  
FIG. 3 is a lower perspective view thereof.  
FIG. 4 is a front view thereof.  
FIG. 5 is a rear view thereof.  
FIG. 6 is a bottom view thereof.  
FIG. 7 is a top view thereof.  
FIG. 8 is a left side view of FIG. 4; and,  
FIG. 9 is a right side view of FIG. 4.  
The broken line in the figures is for the purpose of illustrating portions of the razor cartridge and forms no part of the claimed design.

(56) **References Cited**  
U.S. PATENT DOCUMENTS  
D533,684 S 12/2006 Gray et al.  
7,168,173 B2 1/2007 Worrick, III  
D556,378 S 11/2007 Watson et al.  
D575,454 S 8/2008 Keene et al.  
D603,097 S \* 10/2009 Cataudella ..... D28/47  
D617,946 S 6/2010 Lukan et al.  
8,033,023 B2 10/2011 Johnson et al.

**1 Claim, 5 Drawing Sheets**



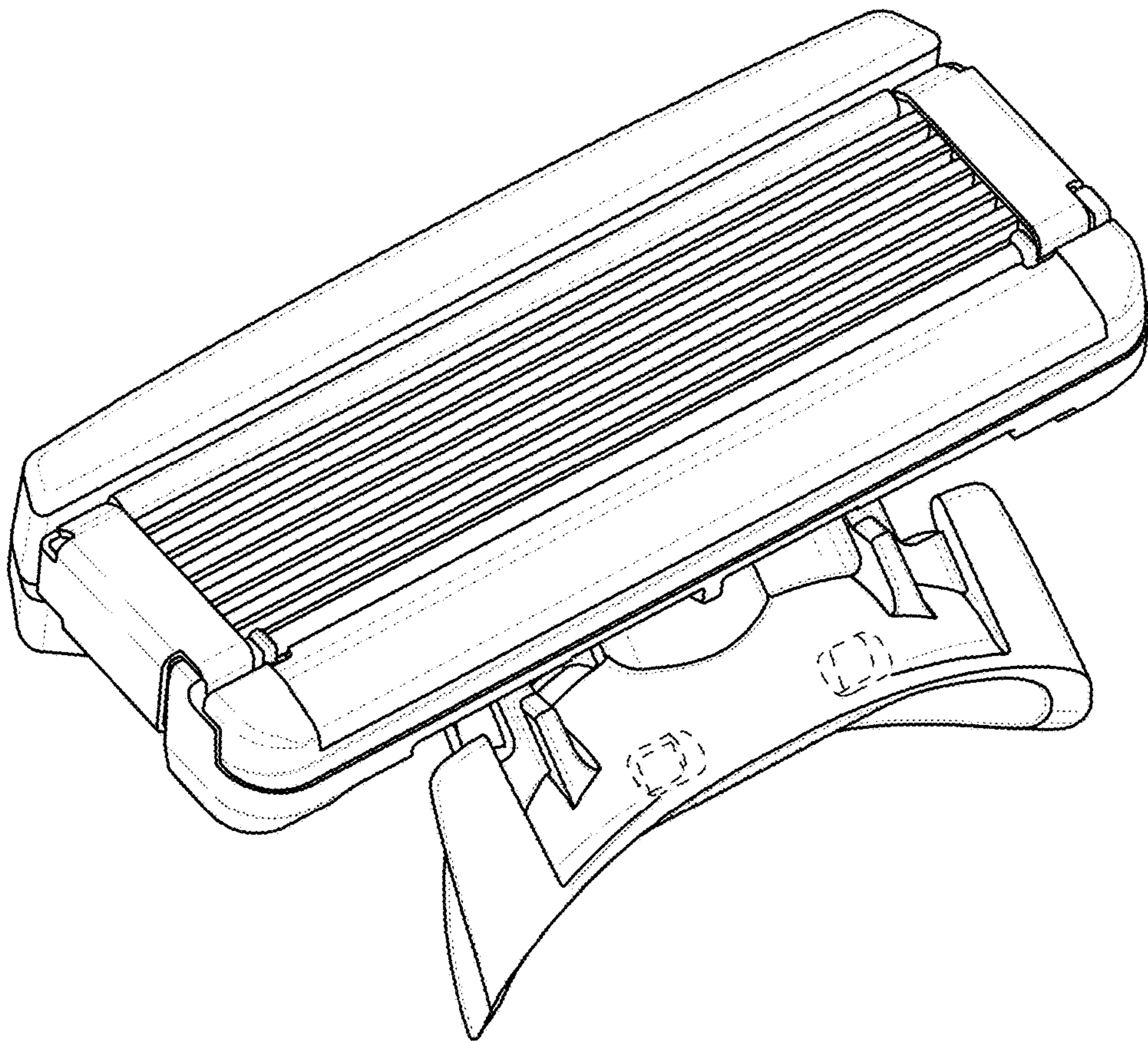


FIG. 1

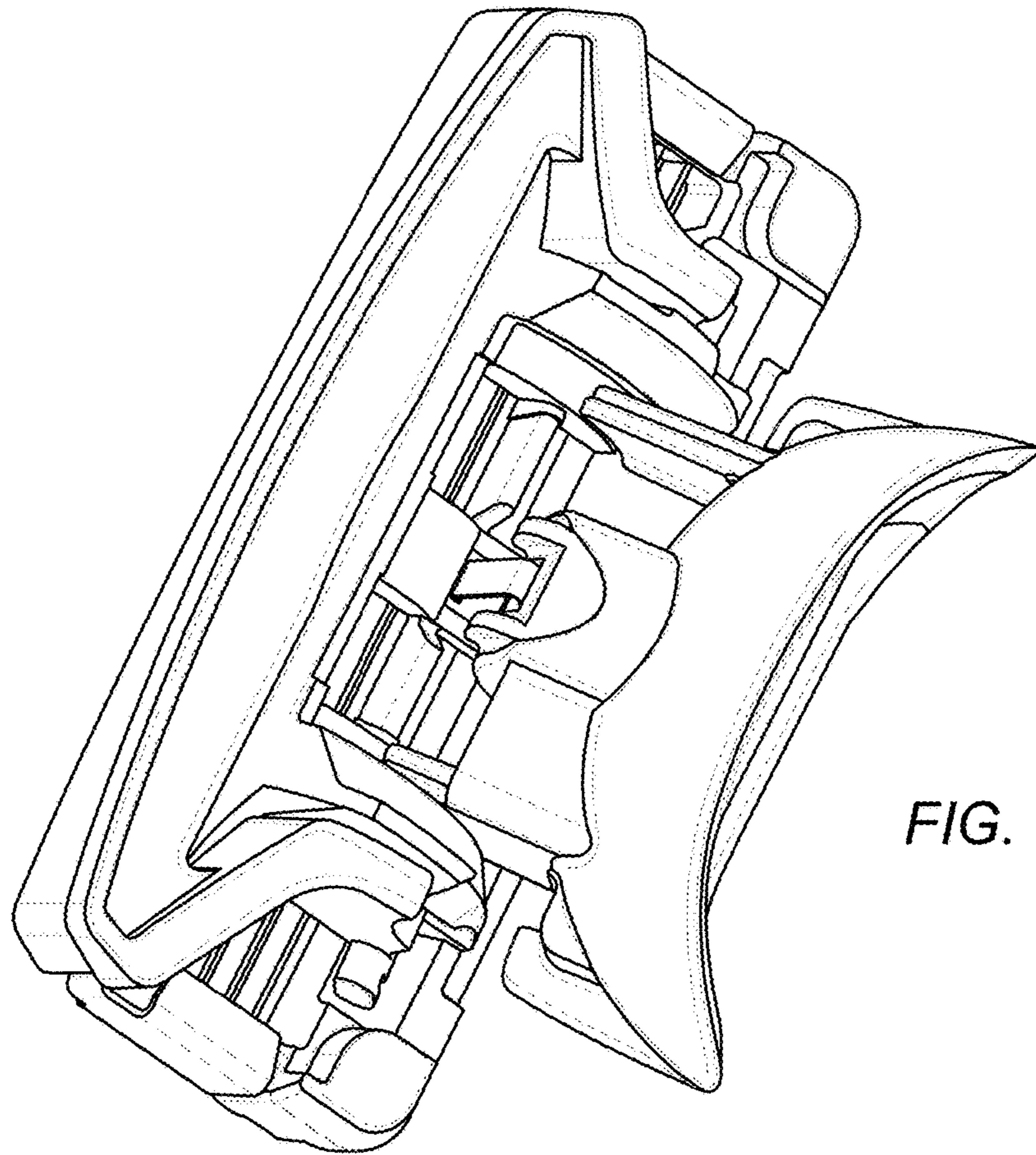


FIG. 2

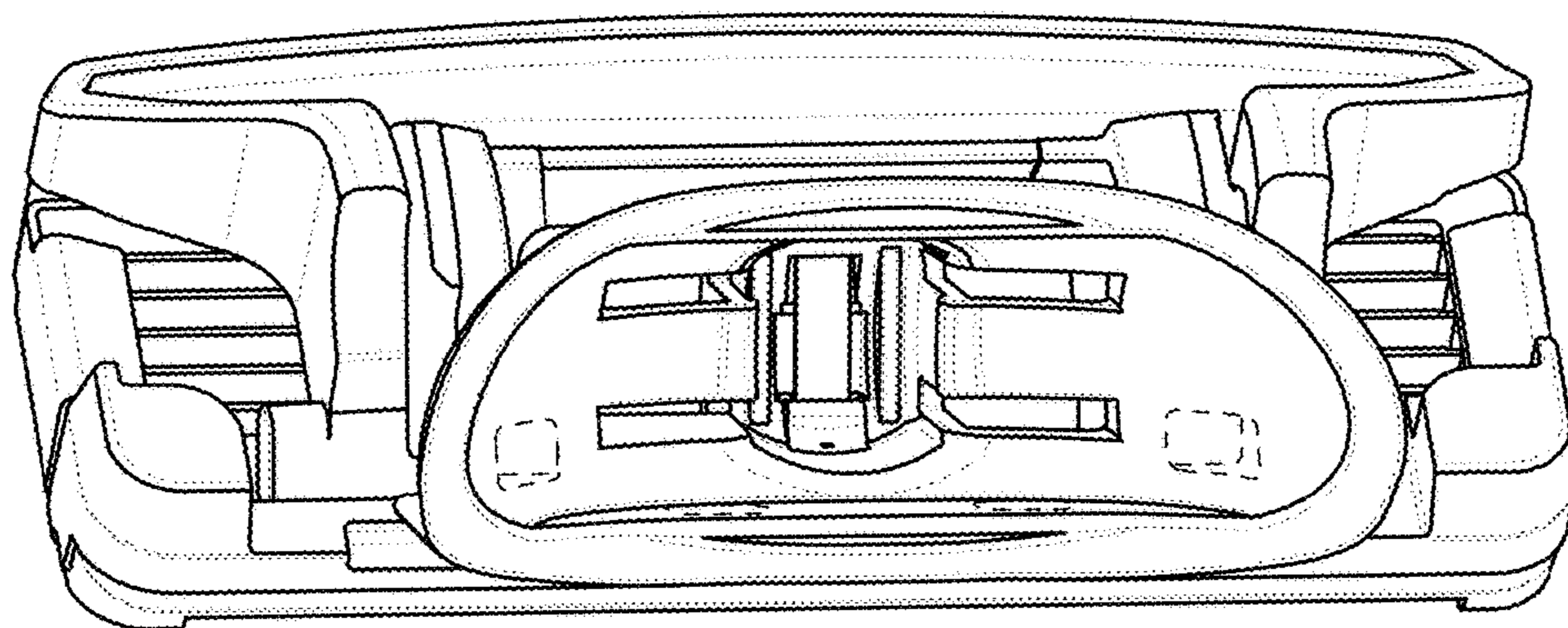


FIG. 3

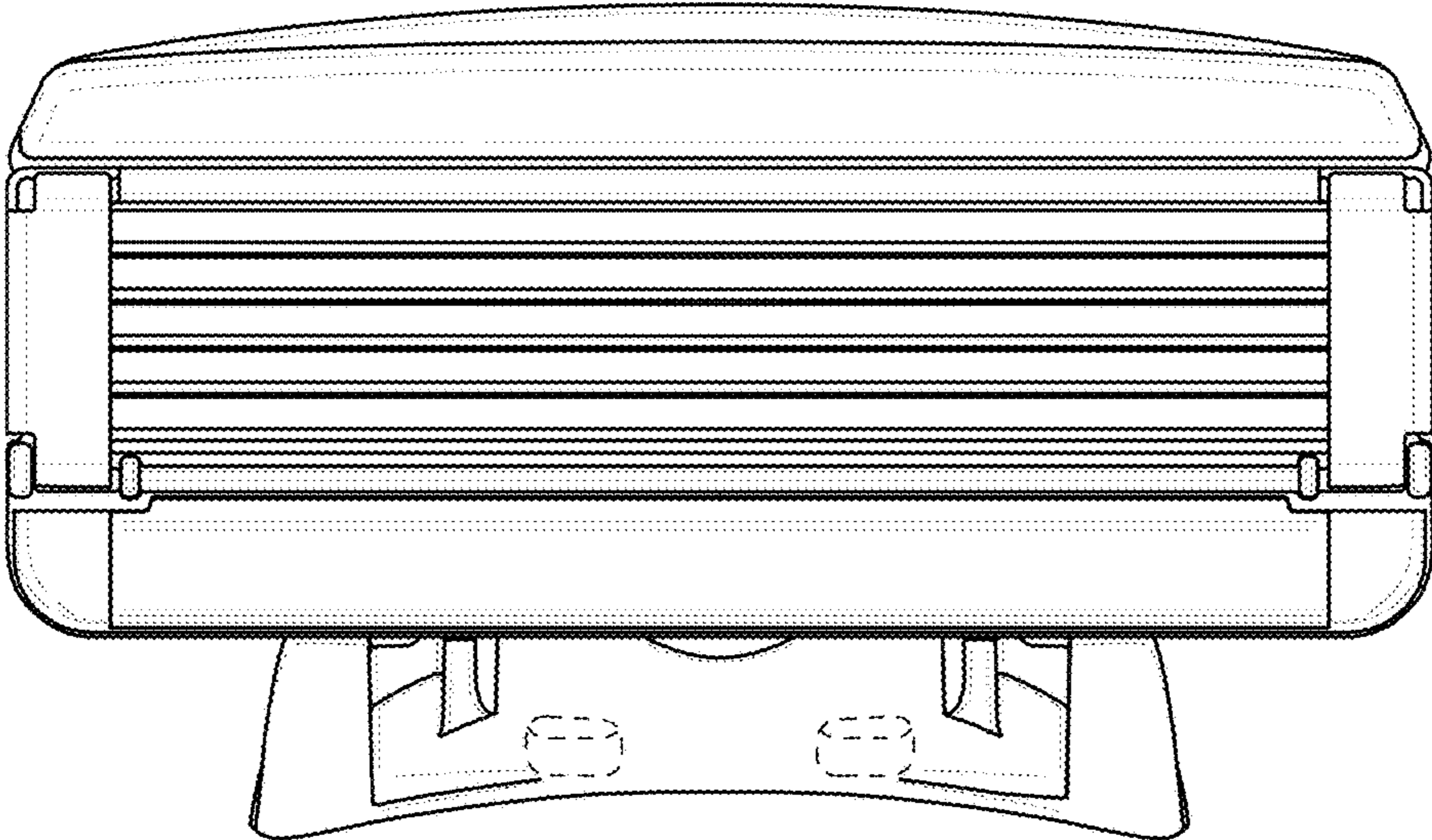


FIG. 4

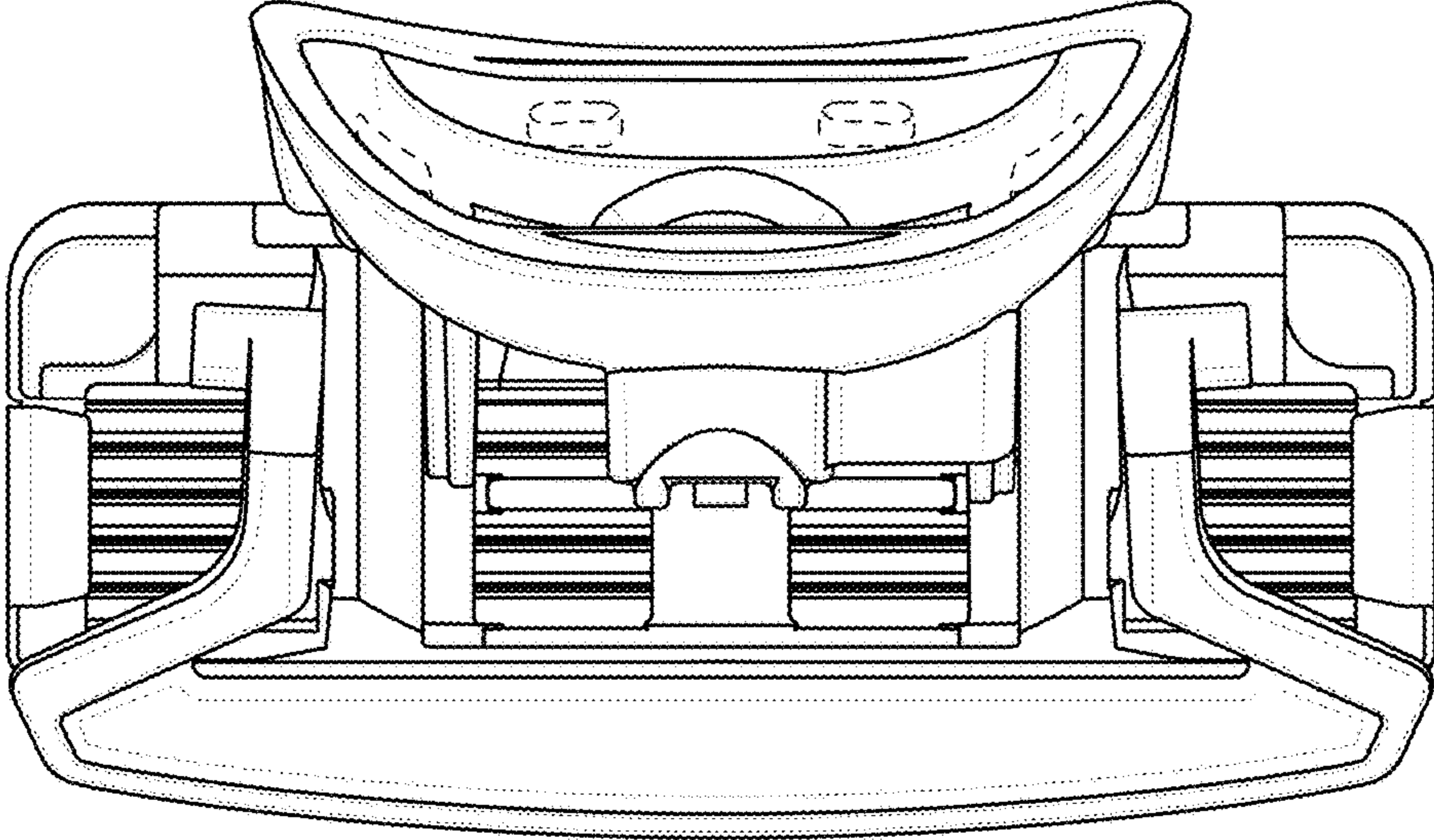


FIG. 5

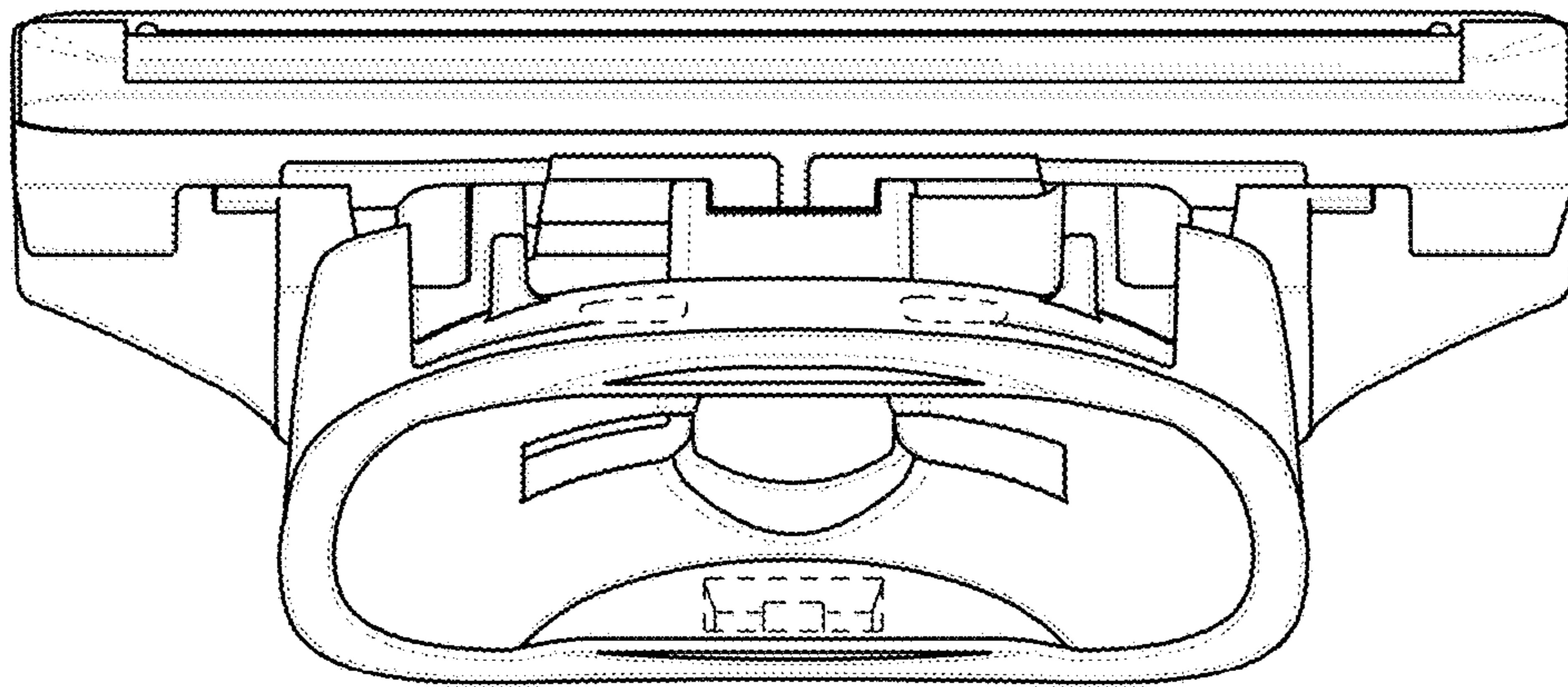


FIG. 6

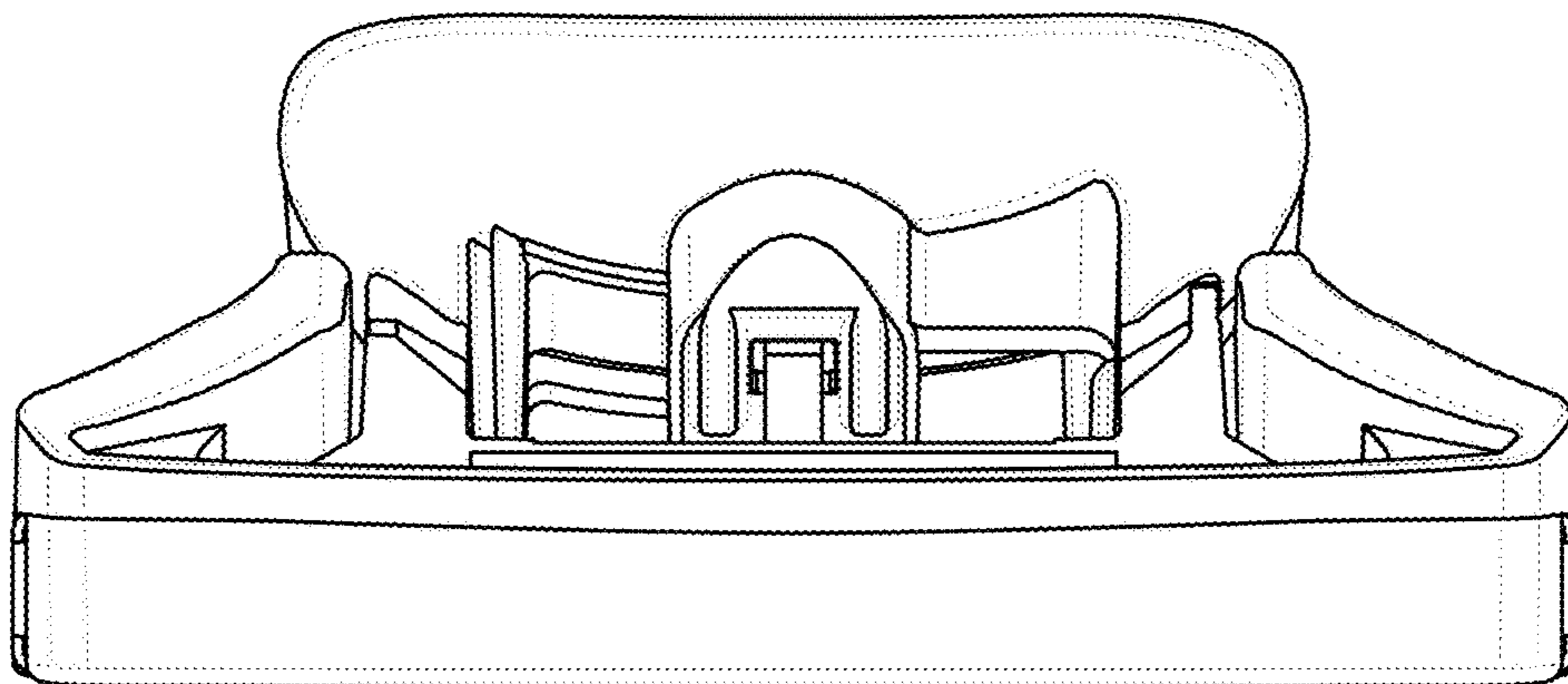


FIG. 7

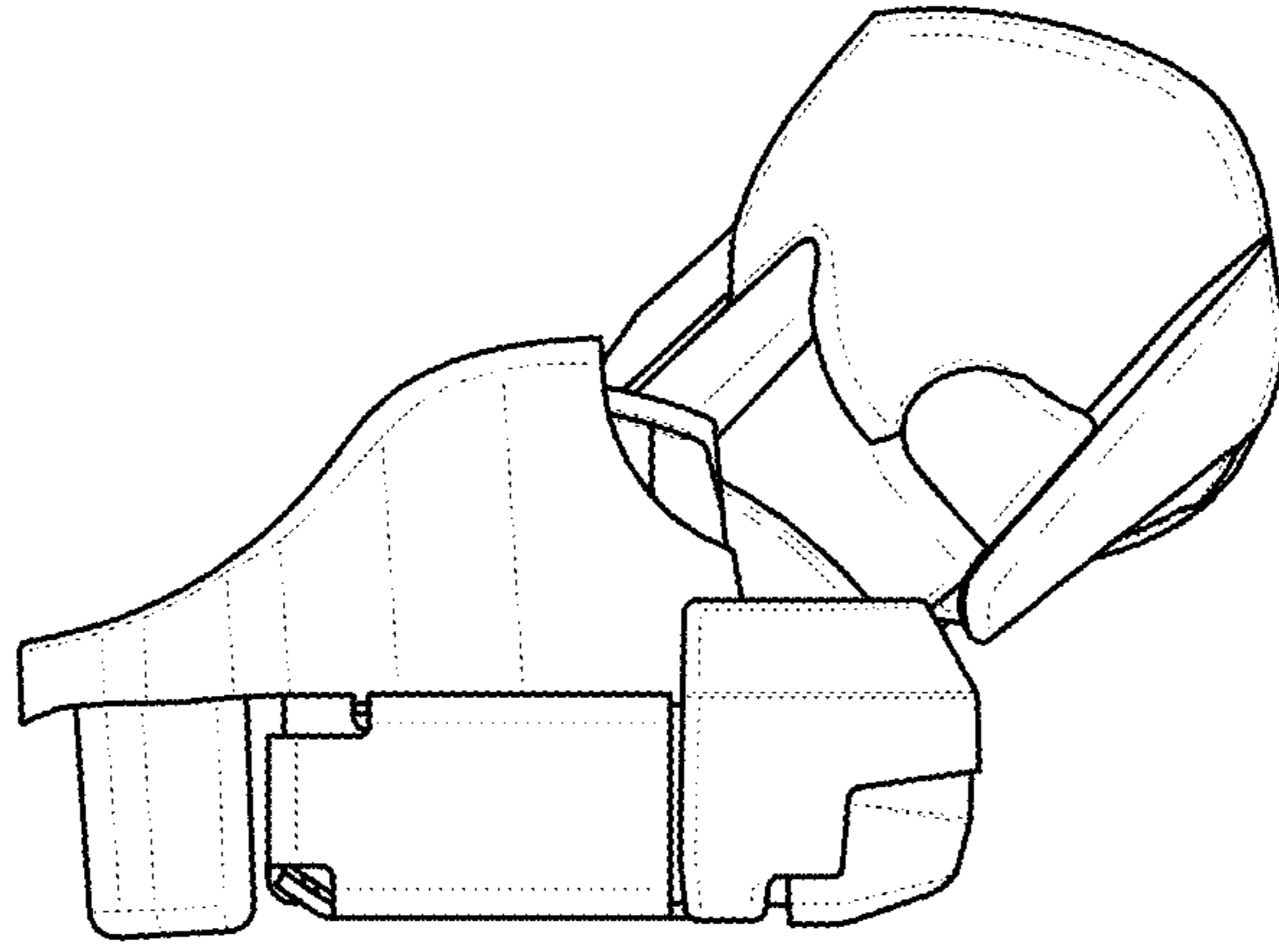


FIG. 9

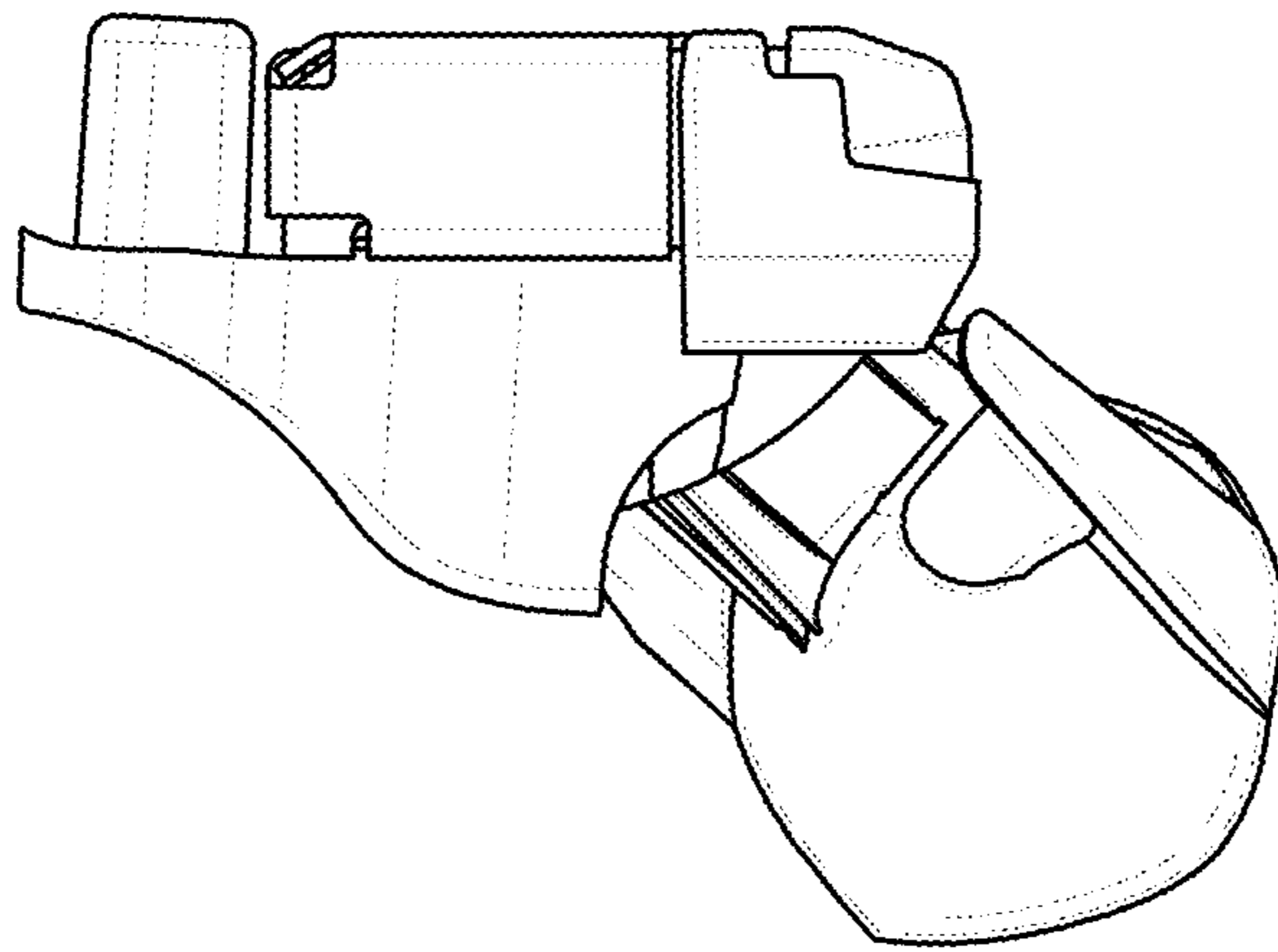


FIG. 8