



US00D819268S

(12) **United States Design Patent** (10) **Patent No.:** **US D819,268 S**
Goodman et al. (45) **Date of Patent:** **** May 29, 2018**

- (54) **COUNTERTOP STYLING CADDY**
- (71) Applicant: **Spectrum Diversified Designs, Inc.**,
Streetsboro, OH (US)
- (72) Inventors: **Sheldon H. Goodman**, Solon, OH
(US); **Phaysouk Xayoiphonh**, Akron,
OH (US)
- (73) Assignee: **Spectrum Diversified Designs, LLC**,
Streetsboro, OH (US)
- (**) Term: **15 Years**
- (21) Appl. No.: **29/533,195**
- (22) Filed: **Jul. 15, 2015**
- (51) **LOC (11) Cl.** **03-01**
- (52) **U.S. Cl.**
USPC **D28/38**; D28/73
- (58) **Field of Classification Search**
USPC D3/304, 310, 311, 313, 314, 315, 903,
D3/901; D28/73, 38, 74, 18, 10, 20;
D19/105, 75; D8/71; D6/512, 513, 514,
D6/524, 527, 531; D7/600.1
CPC ... A45D 20/14; A45D 2020/126; A45D 20/12
See application file for complete search history.

- D556,407 S * 11/2007 Snell D19/75
 - D603,562 S * 11/2009 Mills D28/38
 - D642,736 S * 8/2011 Reidy D28/18
 - D661,487 S * 6/2012 Kraemer D3/304
- (Continued)

OTHER PUBLICATIONS

Walmart, "InterDesign Clarity Counter Top Hair Dryer Holder, Clear", Accessed Oct. 20, 2016. Reviewed as early as Nov. 9, 2014. (<https://www.walmart.com/ip/InterDesign-Clarity-Counter-Top-Hair-Dryer-Holder/38394524>).*
(Continued)

Primary Examiner — Jennifer Rivard
Assistant Examiner — April Rivas
(74) *Attorney, Agent, or Firm* — Benesch, Friedlander,
Coplan & Aronoff LLP

(57) **CLAIM**

What is claimed is the ornamental design for a countertop styling caddy, as shown and described.

DESCRIPTION

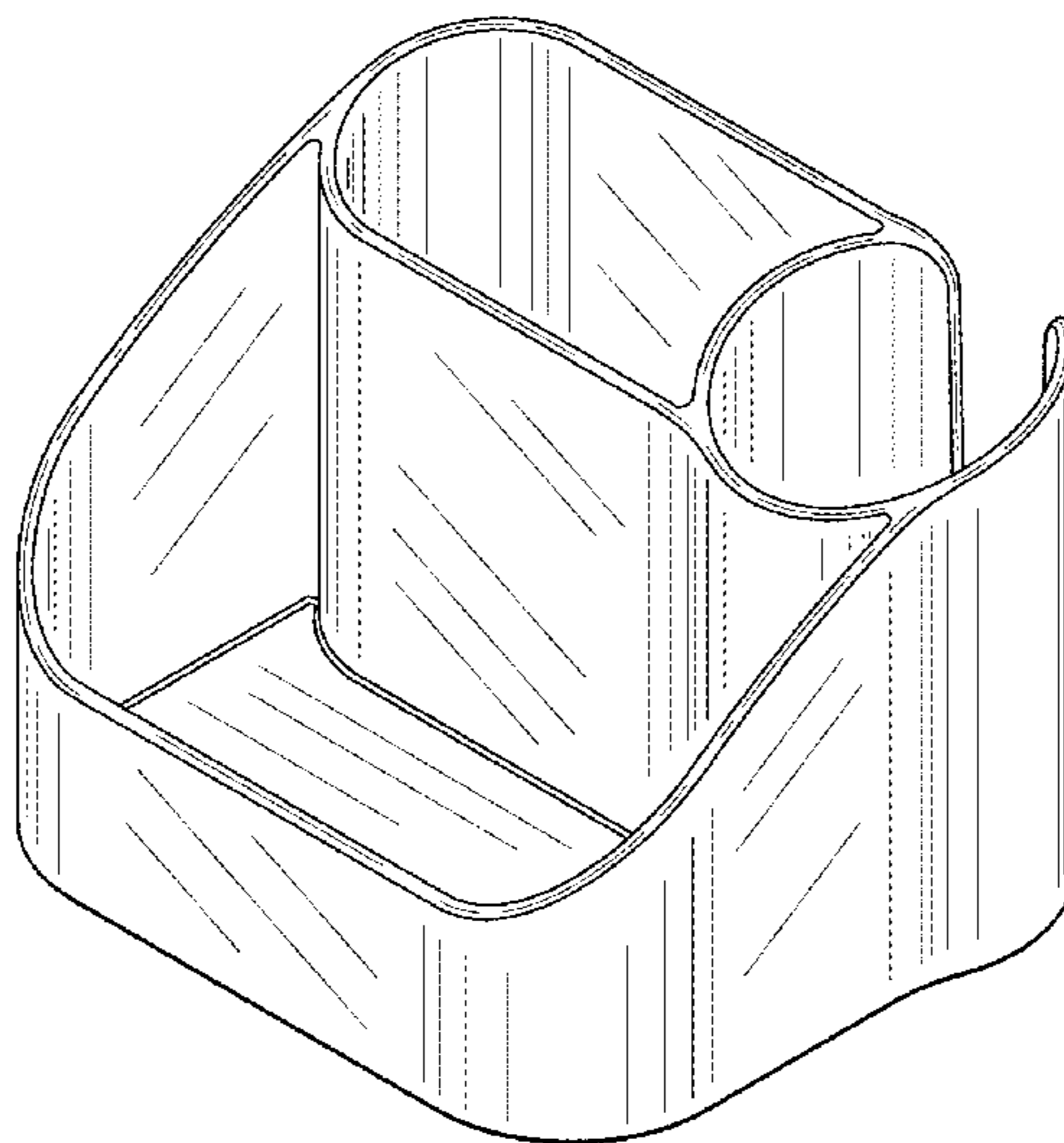
FIG. 1 is a perspective view of a countertop styling caddy showing a new design;
FIG. 2 is a front view of the countertop styling caddy of FIG. 1;
FIG. 3 is a rear view of the countertop styling caddy of FIG. 1;
FIG. 4 is a left side view of the countertop styling caddy of FIG. 1;
FIG. 5 is a right side view of the countertop styling caddy of FIG. 1;
FIG. 6 is a top view of the countertop styling caddy of FIG. 1; and,
FIG. 7 is a bottom view of the countertop styling caddy of FIG. 1.
The broken lines illustrate the bounds of the countertop styling caddy and form no part of the claimed design.

1 Claim, 4 Drawing Sheets

(56) **References Cited**

U.S. PATENT DOCUMENTS

- D117,401 S * 10/1939 Long, Jr. et al. D28/73
- D281,929 S * 12/1985 Strobel D28/76
- D317,178 S * 5/1991 Kheng D19/75
- D332,631 S * 1/1993 Klodt D19/75
- D367,948 S * 3/1996 Hsu D19/77
- D385,112 S * 10/1997 Birnbaum D19/78
- D392,324 S * 3/1998 Cheris D19/75
- D398,449 S * 9/1998 Hsu D19/85
- D463,069 S * 9/2002 Sammons D28/56
- D477,915 S * 8/2003 Slight D3/313
- D525,657 S * 7/2006 Warren, III D19/77



(56)

References Cited

U.S. PATENT DOCUMENTS

D663,981 S * 7/2012 Purcell D6/525
D707,397 S * 6/2014 Cooper D28/38
D764,912 S * 8/2016 Houyoux D28/73
2005/0091864 A1 * 5/2005 Sullivan A45D 20/12
34/90

OTHER PUBLICATIONS

AllModern, "Contour Countertop Hair Care Caddy", Accessed Oct. 20, 2016. Reviewed as early as Aug. 11, 2016. ([https://www.allmodern.com/Contour-Countertop-Hair-Care-Caddy-026-CXZ1257.html?PilD\[\]=16510408&source=hotdeals](https://www.allmodern.com/Contour-Countertop-Hair-Care-Caddy-026-CXZ1257.html?PilD[]=16510408&source=hotdeals)).*

* cited by examiner

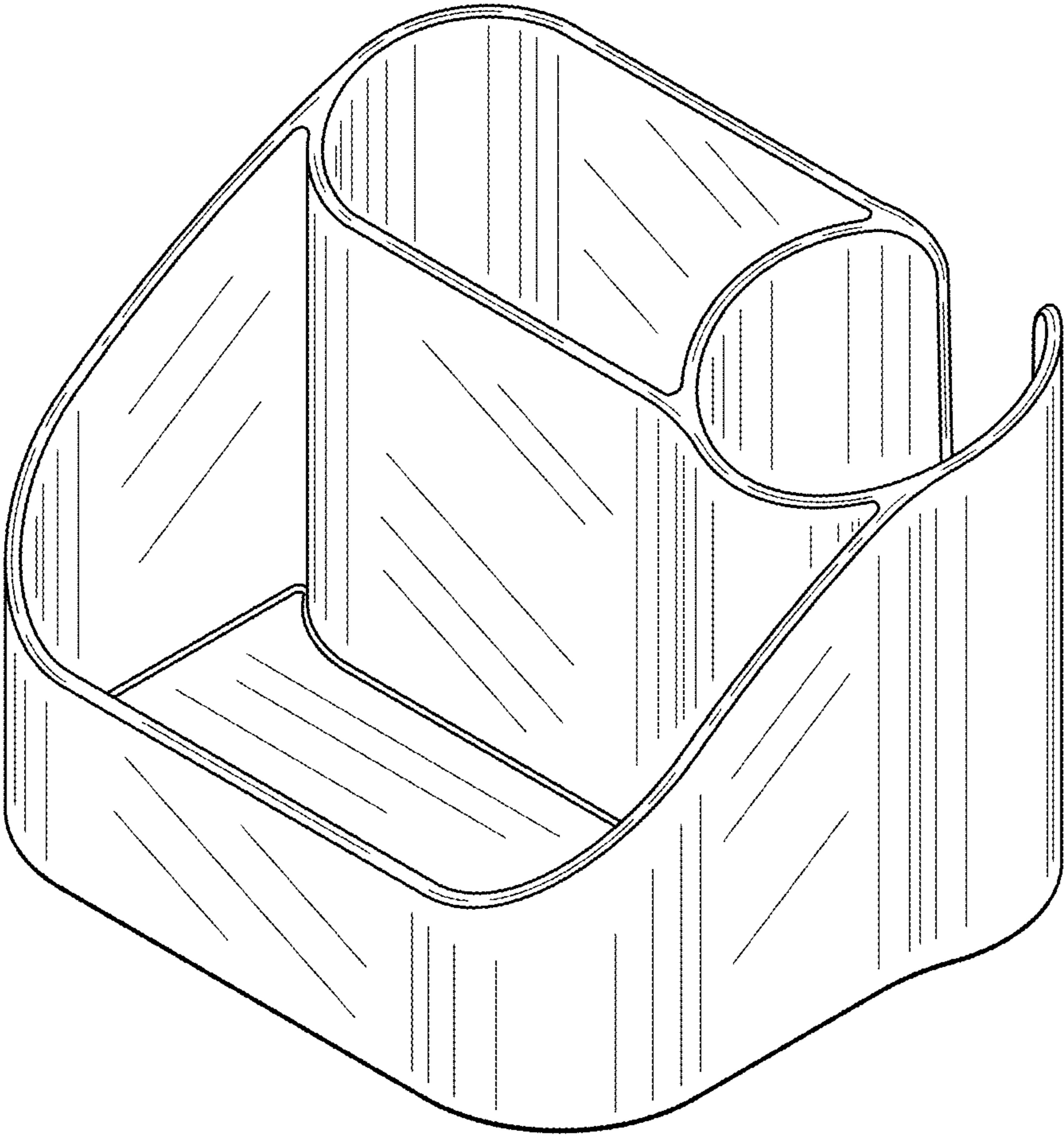


FIG. 1

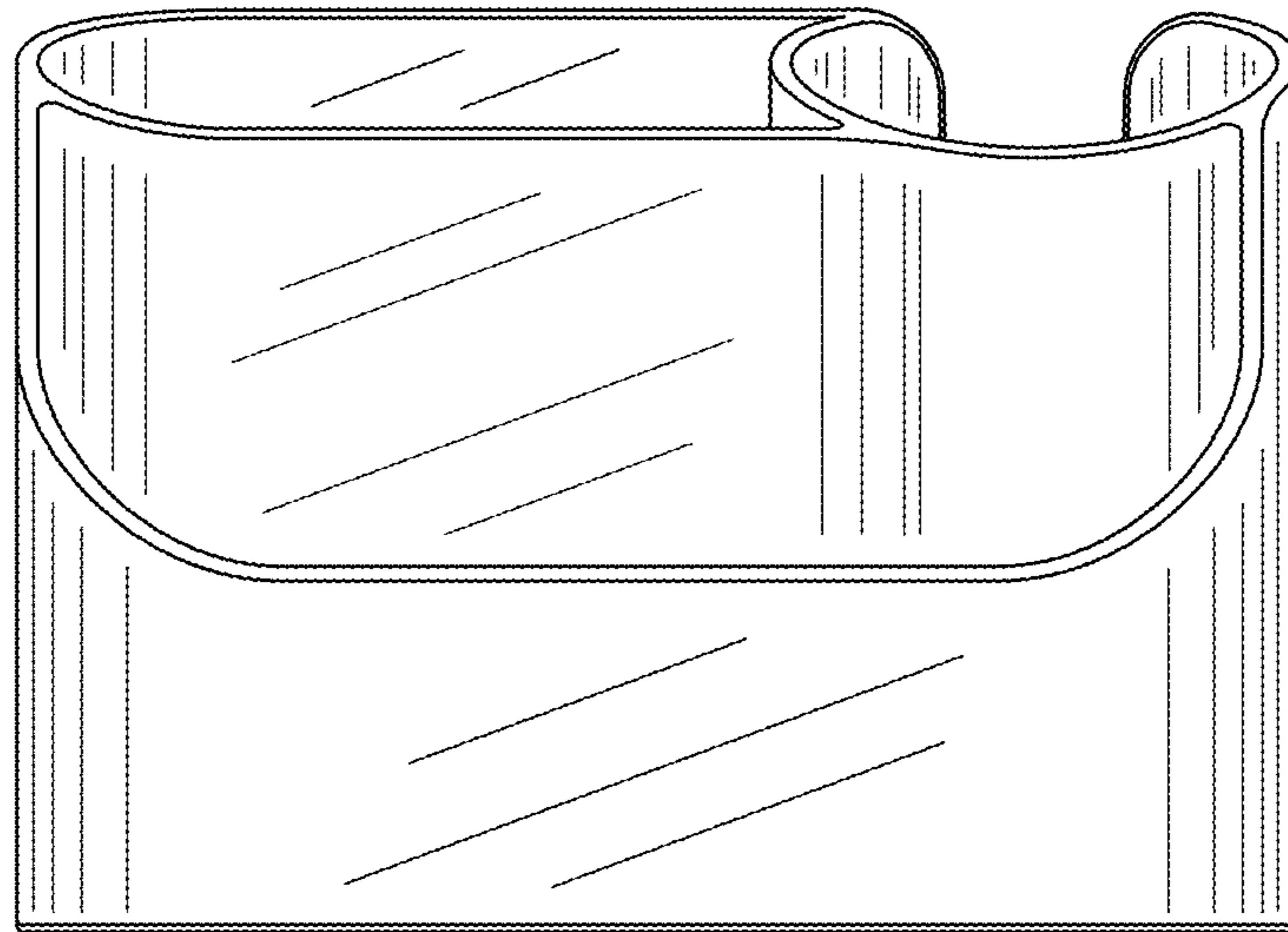


FIG. 2

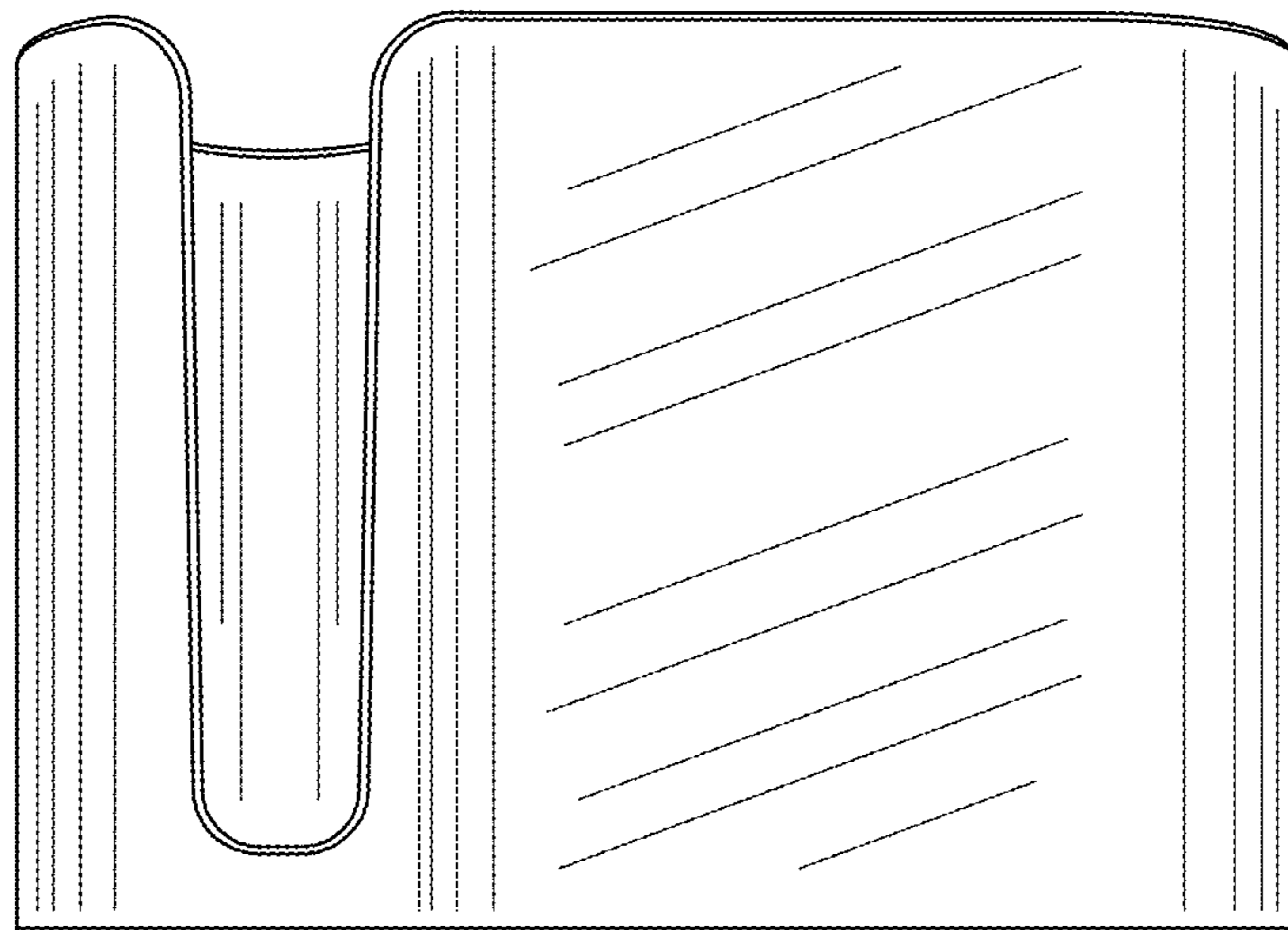


FIG. 3

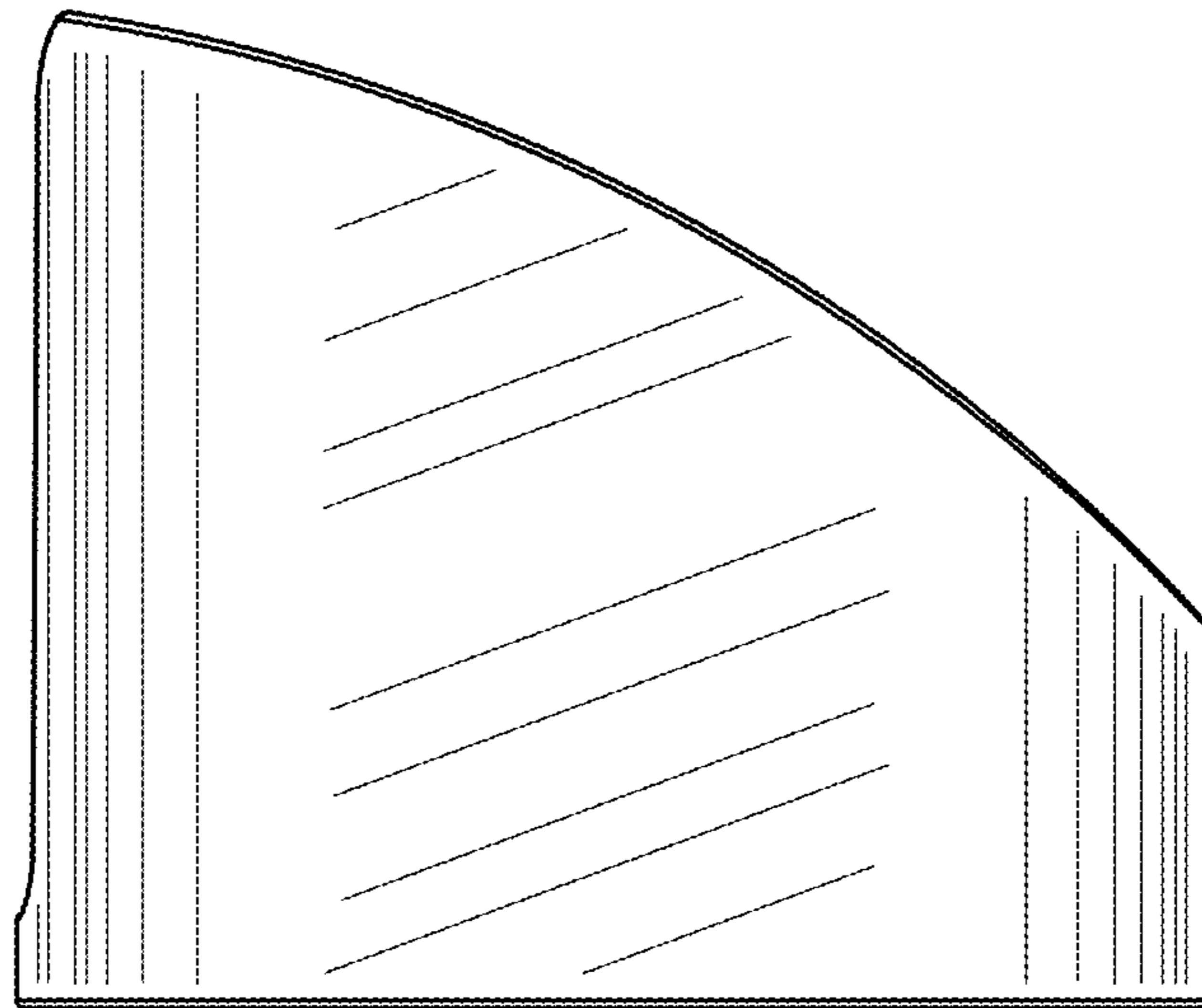


FIG. 4

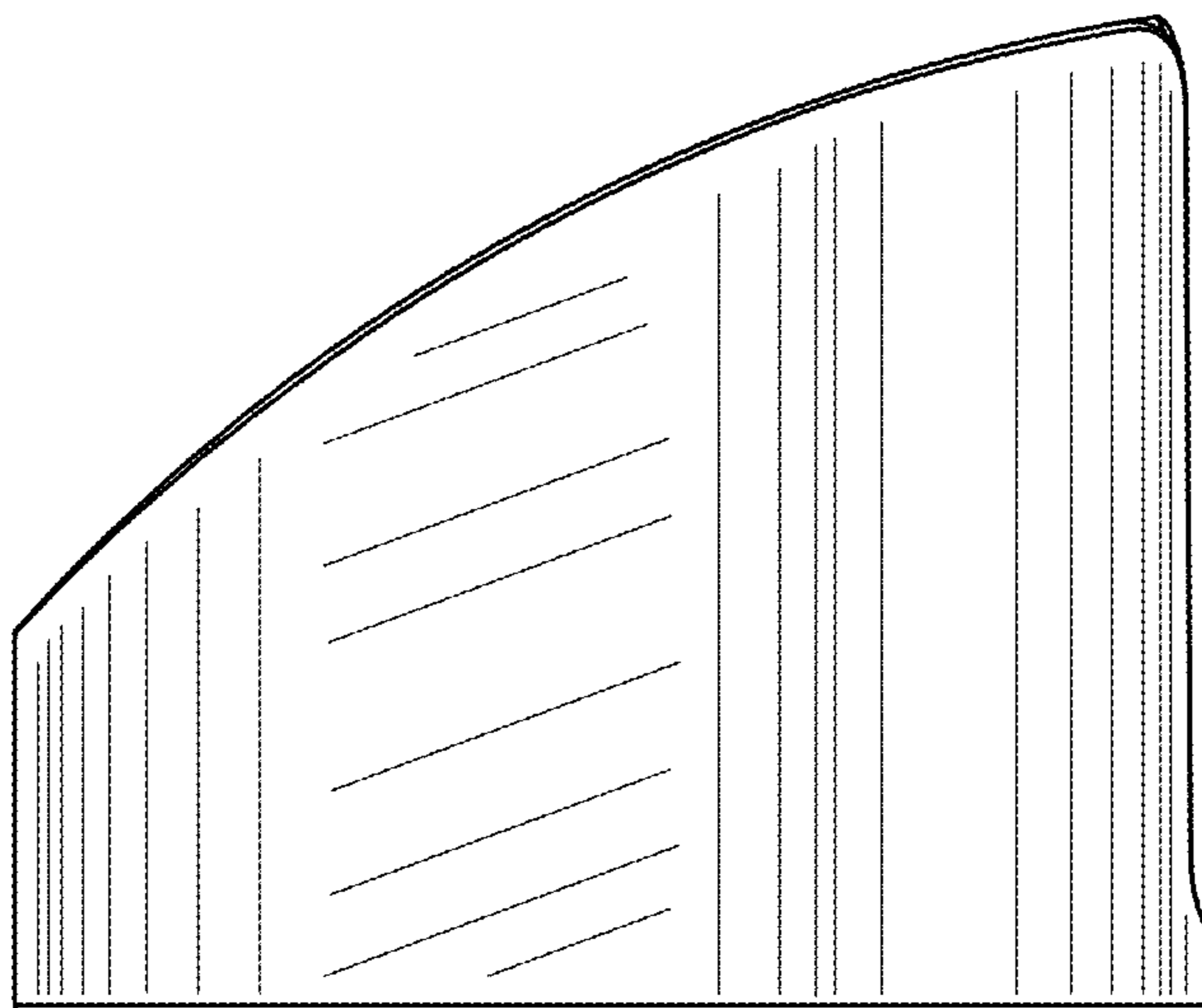


FIG. 5

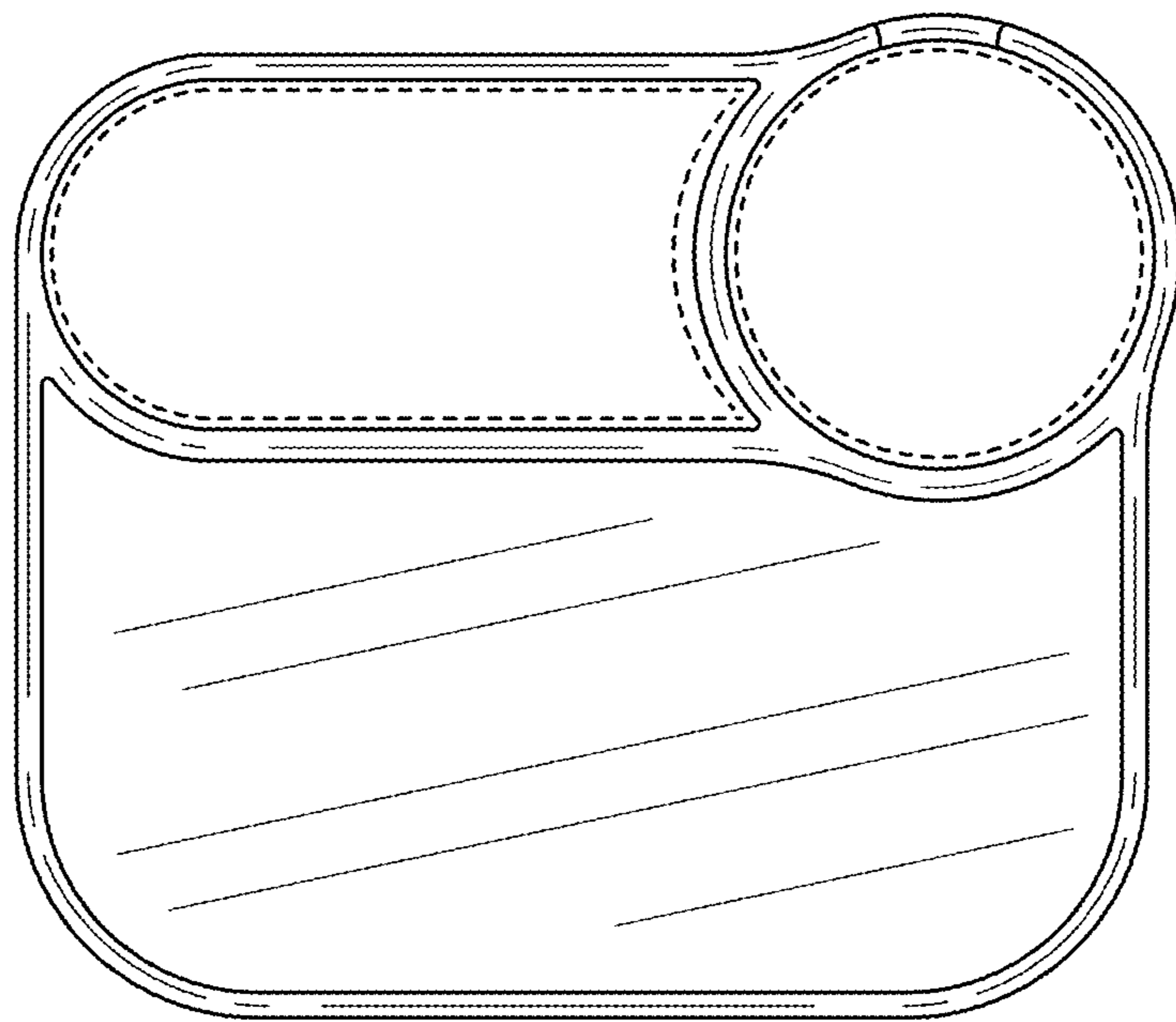


FIG. 6

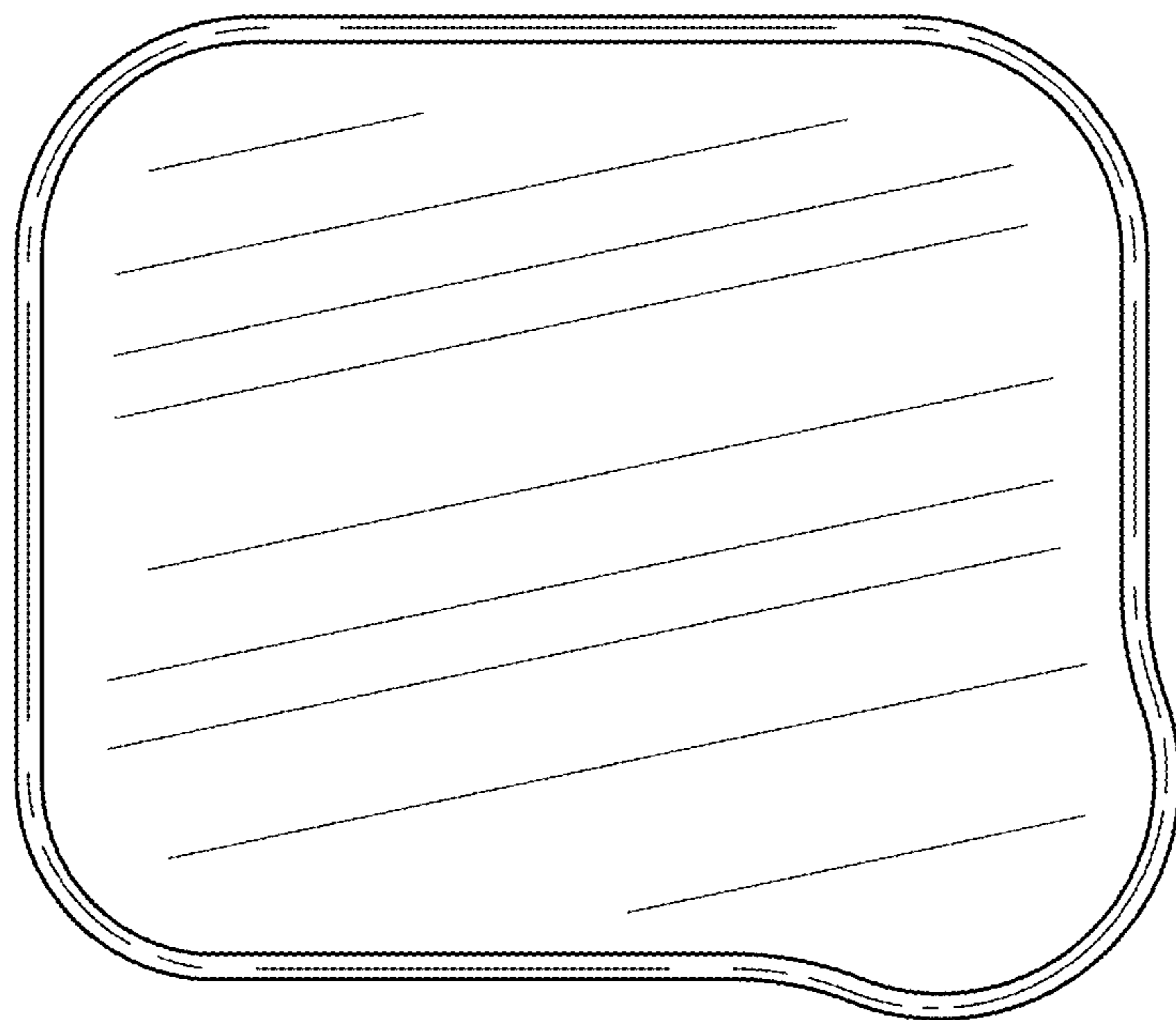


FIG. 7