



US00D819265S

(12) **United States Design Patent** (10) **Patent No.:** **US D819,265 S**
Crane et al. (45) **Date of Patent:** **** May 29, 2018**

(54) **MAKEUP APPLICATOR**

A45D 40/06; A45D 40/16; A45D 40/28;
A61K 8/02; A61K 9/00; A61B 17/24

See application file for complete search history.

(71) Applicant: **L'OREAL**, Paris (FR)

(72) Inventors: **Christine Marie Crane**, Watchung, NJ (US); **Mikhail Motornov**, Clark, NJ (US); **Gracemarie Rose Papaleo-Trombetta**, Staten Island, NY (US); **Ludovic LeCaro**, Morristown, NJ (US); **Noemie Chaillet Piquand**, Paris (FR); **Balanda Atis**, Newark, NJ (US); **Anke Hadasch**, Jersey-City, NJ (US)

(73) Assignee: **L'OREAL**, Paris (FR)

(**) Term: **15 Years**

(21) Appl. No.: **29/557,518**

(22) Filed: **Mar. 9, 2016**

(51) **LOC (11) Cl.** **28-02**

(52) **U.S. Cl.**
USPC **D28/7**

(58) **Field of Classification Search**
USPC D28/7, 44, 46, 50, 52, 55-57, 99, 76-77, D28/82, 85, 68; D24/170, 176, 232, 181; D4/116, 118-119, 122, 127, 132, 135; D19/108, 125, 123, 159, 115, 158, 163; D21/181; D30/162; D3/7, 9; D8/72, 73
CPC A45D 34/041; A45D 2/22; A45D 2/2471; A45D 26/0066; A45D 26/0071; A45D 29/004; A45D 29/007; A45D 29/04; A45D 34/045; A45D 34/042; A45D 34/04; A45D 33/36; A45D 33/12; A45D 29/16; A45D 29/12; A45D 34/06; A45D 40/00; A45D 33/00; A45D 40/02; A45D 40/065; A45D 40/20; A45D 40/205;

(56) **References Cited**

U.S. PATENT DOCUMENTS

1,636,148	A *	7/1927	Provost	A45D 29/16 132/74.5
D149,899	S *	6/1948	Melnikoff	D28/7
D330,608	S *	10/1992	Lunderman	D28/57
D338,739	S *	8/1993	Odabach	D28/57
D371,221	S *	6/1996	Attaway	D28/46
5,542,144	A *	8/1996	Forsline	A46D 1/00 132/320
D379,473	S *	5/1997	DeLorenzo	D19/159
D394,128	S *	5/1998	Atkinson	D28/57
D416,688	S *	11/1999	Baltierra	D28/57
6,082,918	A *	7/2000	Gueret	A45D 33/00 401/126
D560,035	S *	1/2008	Ross	D28/57
D577,461	S *	9/2008	Wittke-Kothe	D24/149

(Continued)

Primary Examiner — Shannon W Morgan

Assistant Examiner — Debra A Callahan

(74) *Attorney, Agent, or Firm* — McClelland, Maier & Neustadt, L.L.P.

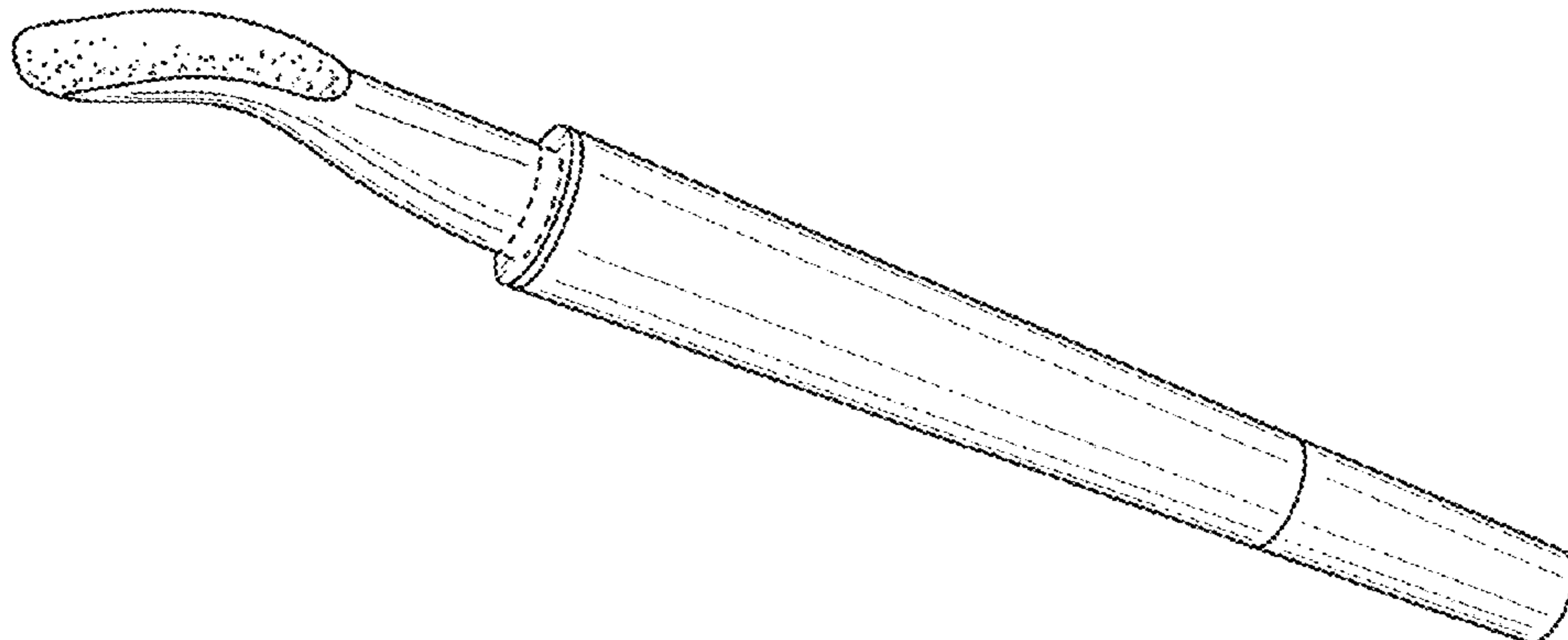
(57) **CLAIM**

The ornamental design for a makeup applicator, as shown and described.

DESCRIPTION

FIG. 1 is a front, top, and right side perspective view of a makeup applicator;
FIG. 2 is a front, bottom, and left side perspective view of thereof;
FIG. 3 is a bottom plan view thereof;
FIG. 4 is a top plan view thereof;
FIG. 5 is a left side elevational view thereof;
FIG. 6 is a right side elevational view thereof;
FIG. 7 is a front elevational view thereof; and,
FIG. 8 is a rear elevational view thereof.

(Continued)



The broken lines in the figures depict portions of the makeup applicator that form no part of the claimed design.

1 Claim, 5 Drawing Sheets

(56)

References Cited

U.S. PATENT DOCUMENTS

D588,749 S *	3/2009	Wittke-Kothe	D24/149
8,215,858 B2 *	7/2012	Carroll	A45D 34/043
			401/115
8,353,637 B2 *	1/2013	Carroll	A46B 7/023
			401/115
D776,342 S *	1/2017	Otani	D28/7
2005/0008584 A1 *	1/2005	Montgomery	A61K 8/02
			424/53

* cited by examiner

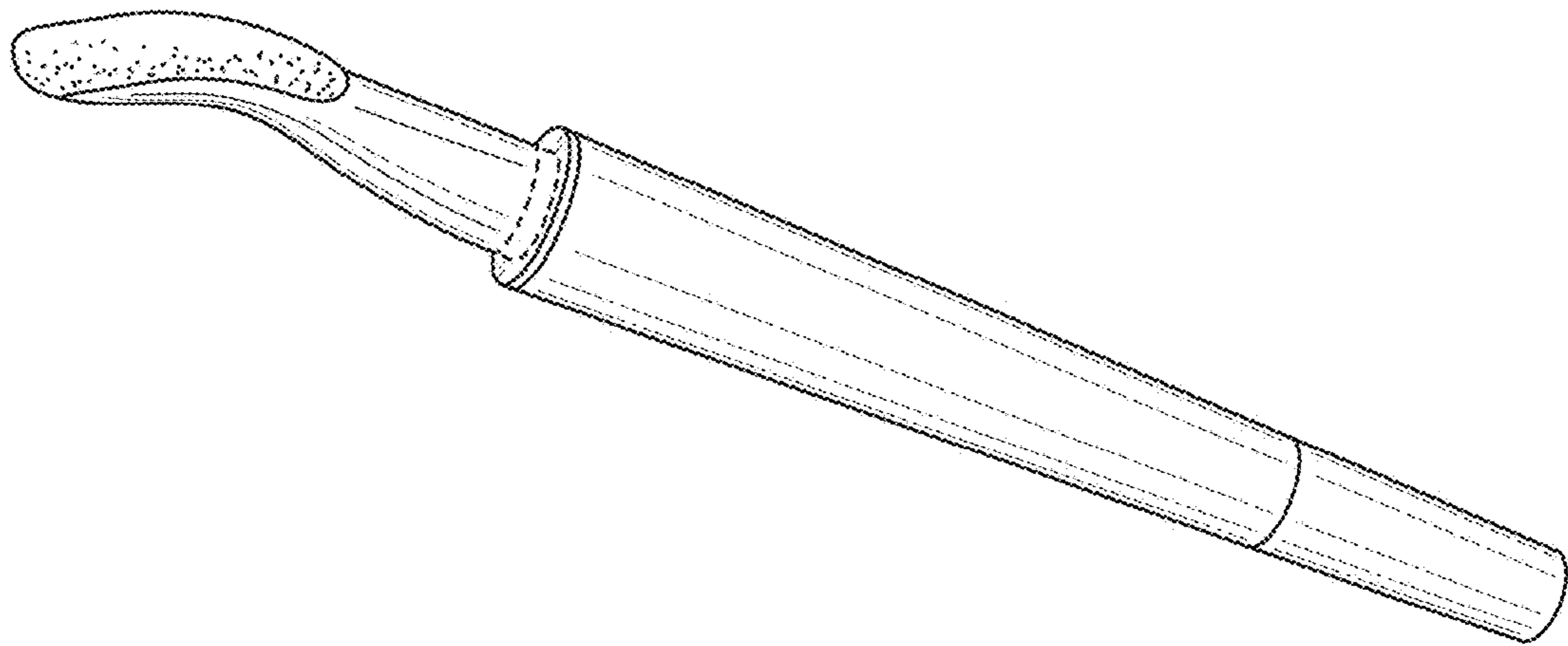


FIG. 1

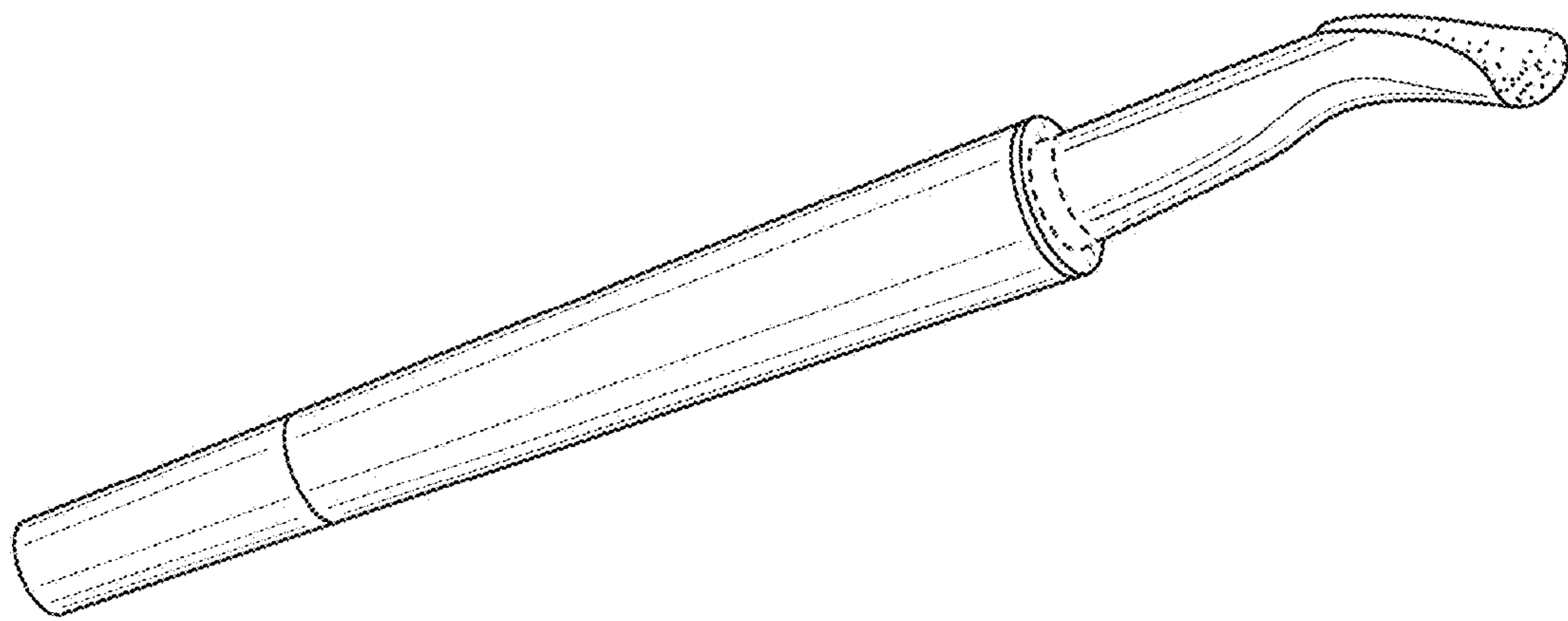


FIG. 2

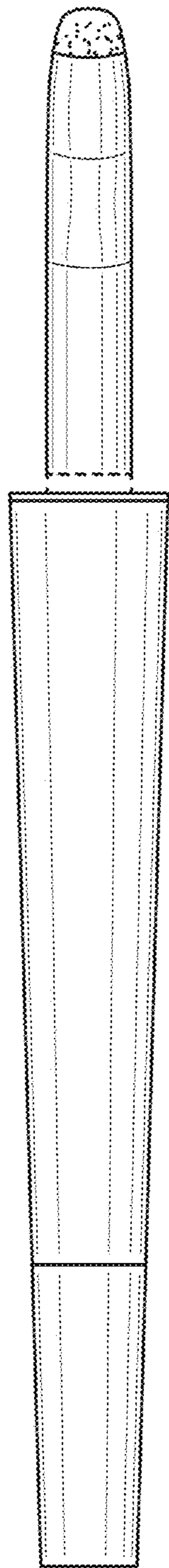


FIG. 3

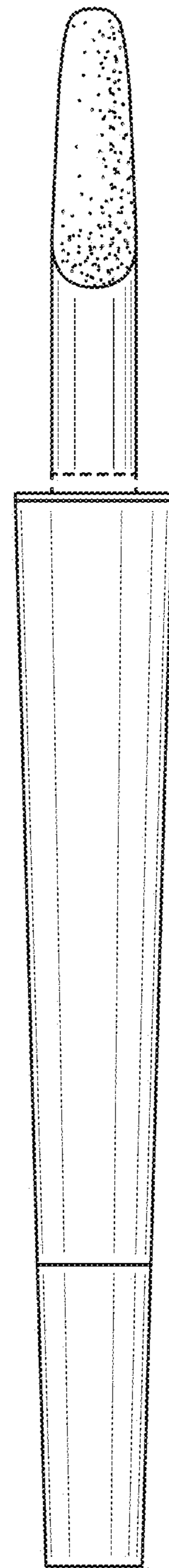


FIG. 4

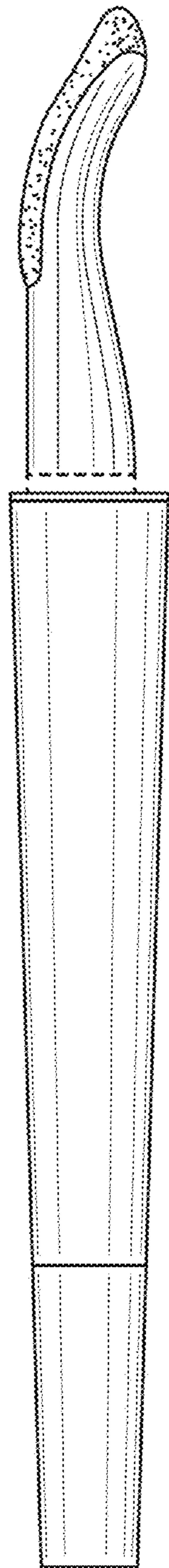


FIG. 5

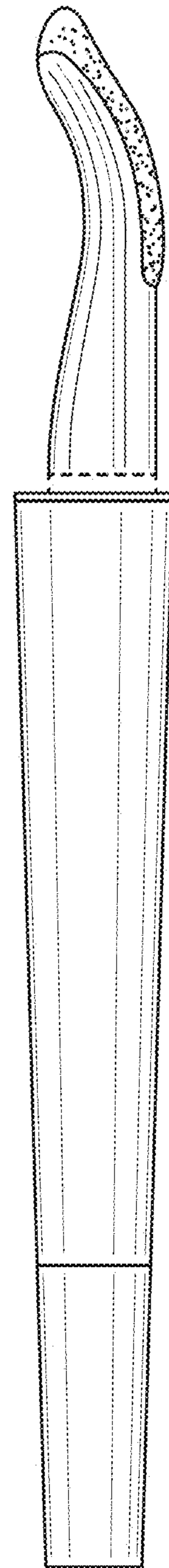


FIG. 6

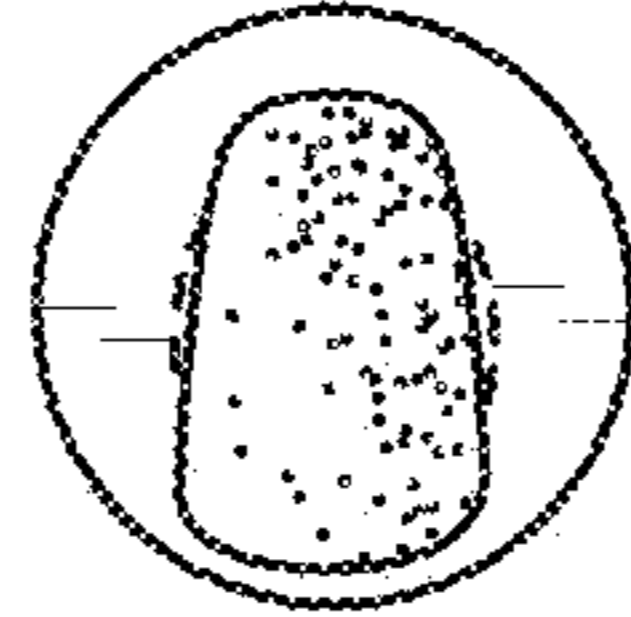


FIG. 7

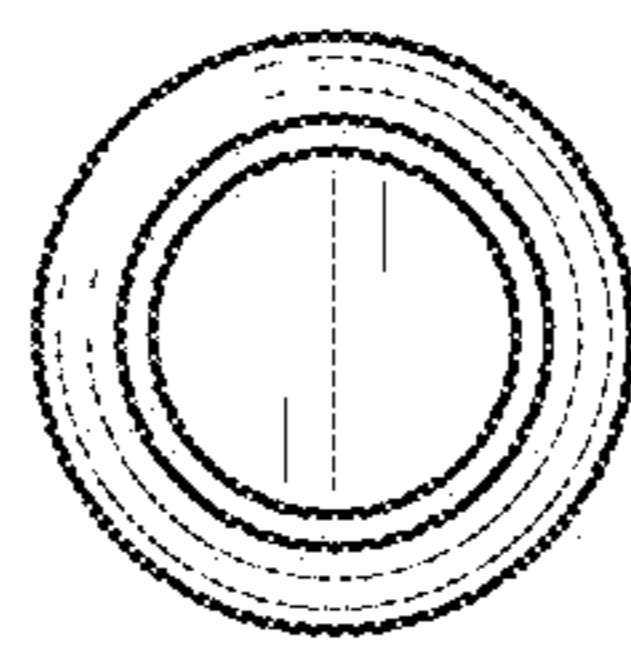


FIG. 8