



US00D819264S

(12) **United States Design Patent**
Mykhaylovych

(10) **Patent No.:** **US D819,264 S**
(45) **Date of Patent:** **** May 29, 2018**

- (54) **CIGARETTE TUBE**
- (71) Applicant: **Kushvara Oleh Mykhaylovych, M.**
Kyiv (UA)
- (72) Inventor: **Kushvara Oleh Mykhaylovych, M.**
Kyyiv (UA)
- (**) Term: **15 Years**
- (21) Appl. No.: **35/502,401**
- (22) Filed: **Jan. 20, 2017**

7,565,818 B2 *	7/2009	Thomas	A24C 5/06 65/70
7,624,739 B2 *	12/2009	Snaidr	A24B 15/28 131/187
7,677,251 B2 *	3/2010	Barnes	A24C 5/04 131/58
8,261,752 B2 *	9/2012	Bao	A24C 5/42 131/70
9,179,706 B2 *	11/2015	Jespersen	A24C 5/40
9,185,937 B2 *	11/2015	Liu	A24F 47/008
9,380,808 B2 *	7/2016	Bao	A24C 5/42

* cited by examiner

Primary Examiner — Michael A. Pratt

- (80) **Hague Agreement Data**
Int. Filing Date: **Jan. 20, 2017**
Int. Reg. No.: **DM/094446**
Int. Reg. Date: **Jan. 20, 2017**
Int. Reg. Pub. Date: **Feb. 3, 2017**
- (51) **LOC (11) Cl.** **27-01**
- (52) **U.S. Cl.**
USPC **D27/101**
- (58) **Field of Classification Search**
USPC D27/102, 105, 106, 110–112
CPC A24F 19/0064; A24F 15/18; A24F 13/20;
A24F 13/18; A24F 23/00; A24F 19/0085;
A24F 19/14; A24F 13/14; A24F 19/00;
B65D 5/18; B65D 5/0209
See application file for complete search history.

(57) **CLAIM**

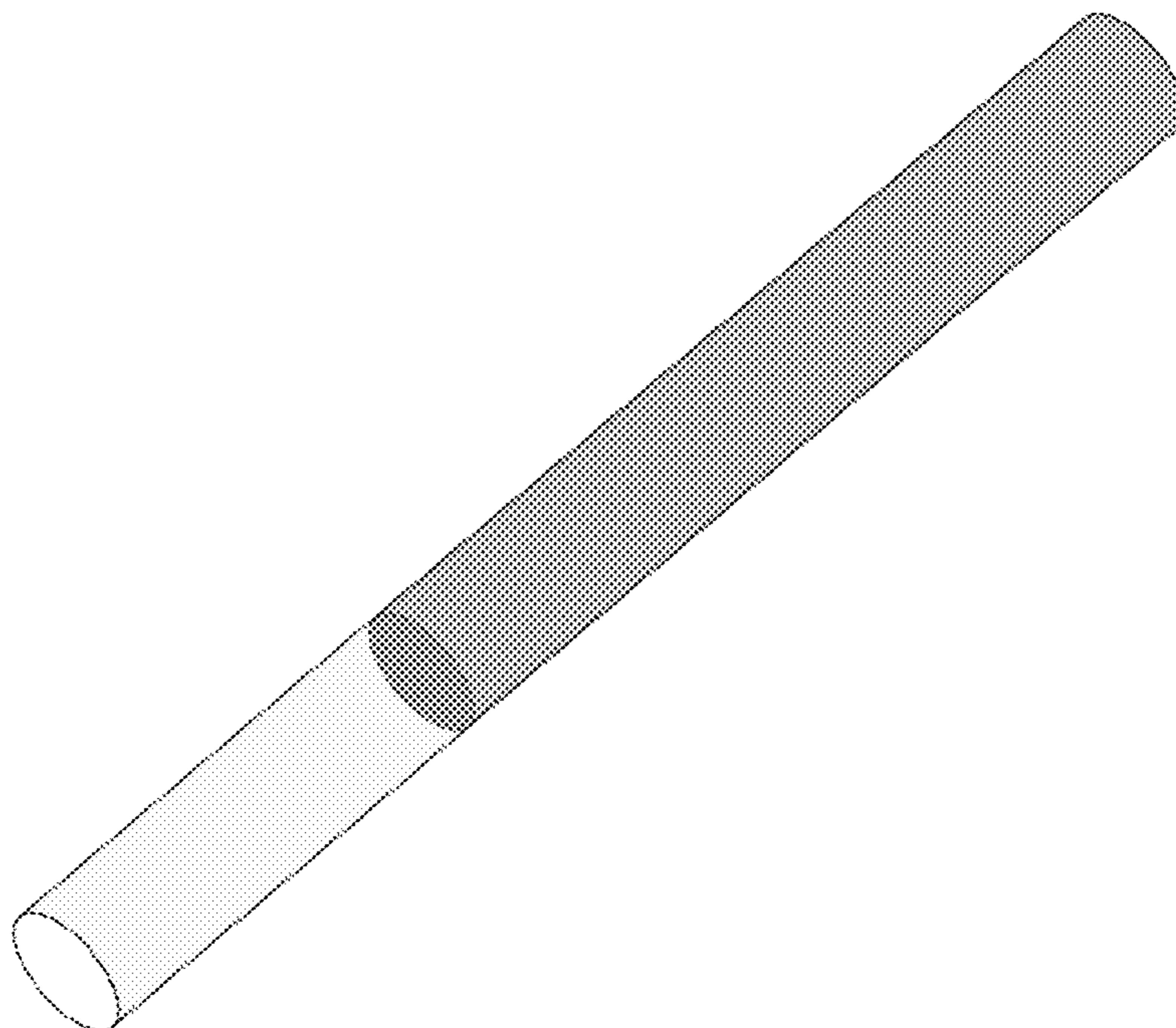
The ornamental design for a cigarette tube, as shown and described.

DESCRIPTION

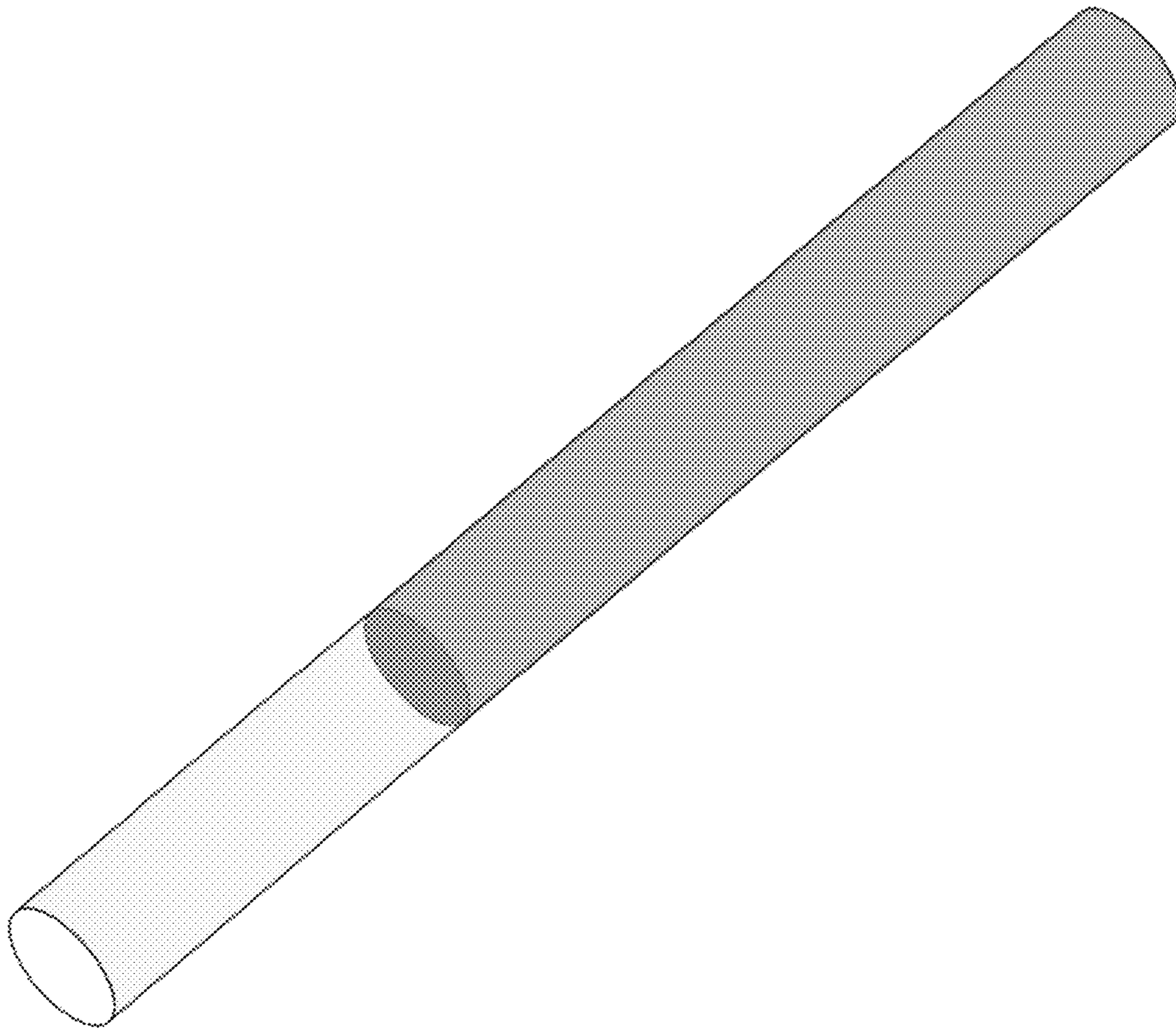
1. Cigarette tube
1.1 : Perspective
1.2 : Front
 Fig. **1.1** is a perspective view of a new design for a cigarette tube; fig. **1.2** is a front view thereof; the cigarette tube is intended to accommodate the tobacco blend and comprises a cylindrical mouthpiece made of carton, enclosed with a transparent sleeve made of rolling paper, which is longer than the mouthpiece.

1 Claim, 2 Drawing Sheets

- (56) **References Cited**
U.S. PATENT DOCUMENTS
5,794,771 A * 8/1998 Krawec A24F 23/00
206/223
7,325,382 B2 * 2/2008 Nelson A24C 5/06
53/148



1.1



1.2

