



US00D819261S

(12) **United States Design Patent** (10) **Patent No.:** **US D819,261 S**
Akkad (45) **Date of Patent:** **** May 29, 2018**

(54) **ORGANIZER BASE FOR A LAMP**
(71) Applicant: **Benjamin S. Akkad**, New York, NY
(US)
(72) Inventor: **Benjamin S. Akkad**, New York, NY
(US)

D430,215 S * 8/2000 Trombly D19/77
D440,679 S * 4/2001 Lo D26/62
6,279,753 B1 8/2001 Swanson
D456,451 S 4/2002 Slater et al.
D477,848 S 7/2003 Chen
6,591,990 B2* 7/2003 Lanman B43M 99/001
206/214

(**) Term: **15 Years**
(21) Appl. No.: **29/583,717**
(22) Filed: **Nov. 8, 2016**

(Continued)

Primary Examiner — George D. Kirschbaum
Assistant Examiner — Natasha Vujcic
(74) *Attorney, Agent, or Firm* — Panitch Schwarze
Belisario & Nadel LLP

Related U.S. Application Data

(62) Division of application No. 29/512,054, filed on Dec. 16, 2014, now Pat. No. Des. 774,691.

(51) **LOC (11) Cl.** **26-05**

(52) **U.S. Cl.**
USPC **D26/142**

(58) **Field of Classification Search**
USPC D26/76, 78, 79, 80, 81, 82, 83, 85, 86,
D26/88, 90, 113, 118, 119, 120, 121, 122,
D26/138, 139, 140, 141, 142, 152
CPC F21S 2/00; F21S 4/00; F21S 4/003; F21S
4/005; F21S 4/006; F21S 4/007; F21S
4/008; F21S 6/00; F21S 8/00; F21S
8/024; F21S 8/026; F21S 8/031; F21S
8/033; F21S 8/035–8/037; F21S 8/04;
F21S 8/043; F21S 8/063

See application file for complete search history.

(56) **References Cited**

U.S. PATENT DOCUMENTS

D339,648 S * 9/1993 Wen-Yung D26/64
D340,999 S * 11/1993 Kua D26/51
D349,170 S 7/1994 Lin
D353,905 S 12/1994 Lin
D367,124 S 2/1996 Sherman
D381,686 S * 7/1997 Chiu D19/69
D390,266 S 2/1998 Cheris et al.

(57) **CLAIM**

The ornamental design for an organizer base for a lamp, as shown and described.

DESCRIPTION

FIG. 1 is a left side perspective view of an organizer base for a lamp in accordance with a first embodiment of my new design;

FIG. 2 is a front elevational view thereof;

FIG. 3 is a rear elevational view thereof;

FIG. 4 is a left side elevational view thereof;

FIG. 5 is a right side elevational view thereof;

FIG. 6 is a top plan view thereof;

FIG. 7 is a bottom plan view thereof;

FIG. 8 is a left side perspective view of an organizer base for a lamp in accordance with a second embodiment of my new design;

FIG. 9 is a front elevational view thereof;

FIG. 10 is a rear elevational view thereof;

FIG. 11 is a left side elevational view thereof;

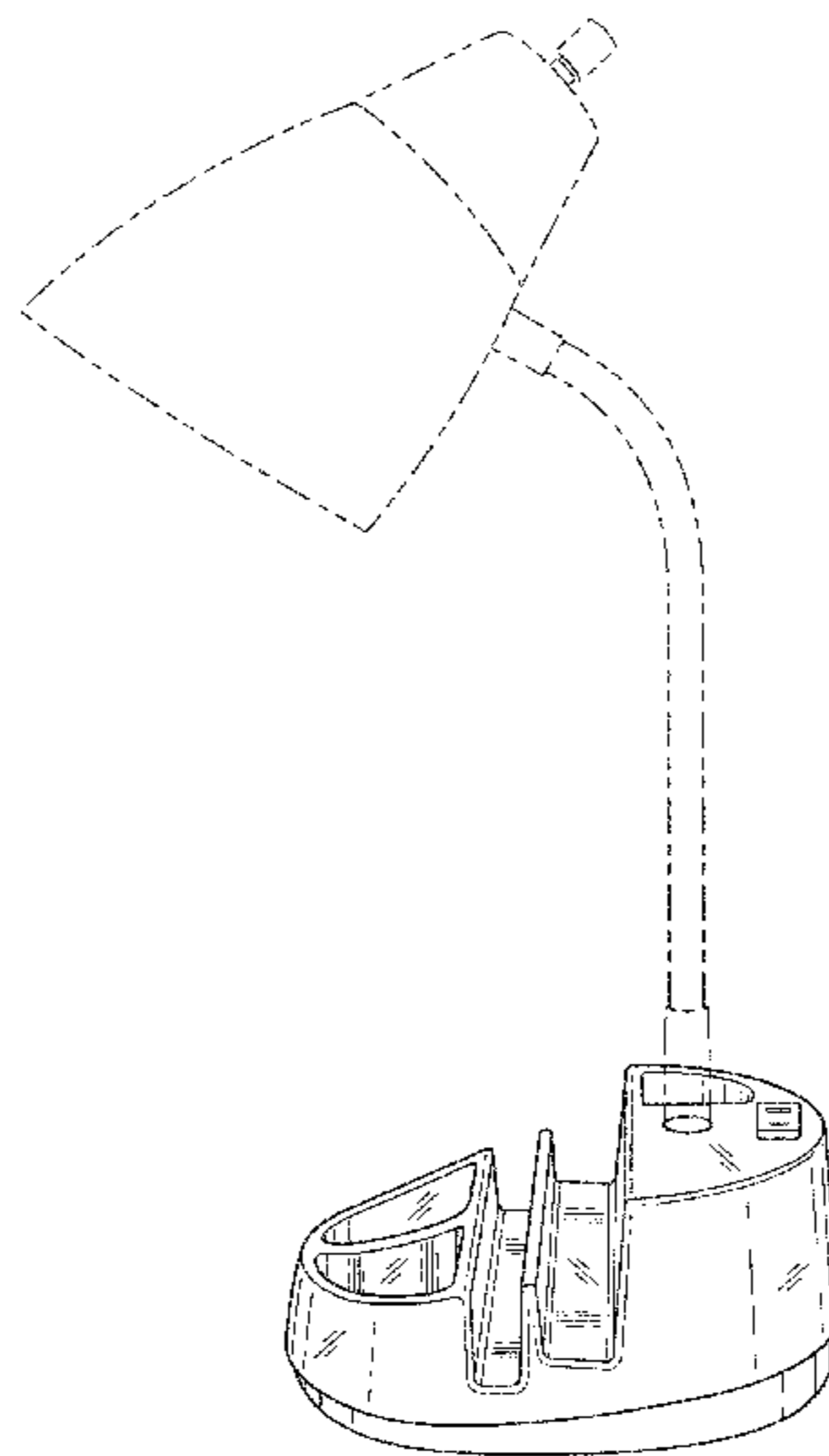
FIG. 12 is a right side elevational view thereof;

FIG. 13 is a top plan view thereof; and,

FIG. 14 is a bottom plan view thereof.

The broken lines in the figures are for the purpose of showing environmental structure and form no part of the claimed design.

1 Claim, 10 Drawing Sheets



(56)

References Cited

U.S. PATENT DOCUMENTS

D486,184 S * 2/2004 Leithaeuser D19/77
6,789,916 B2 9/2004 Ruggles
D511,546 S * 11/2005 Trombly D19/77
D524,865 S 7/2006 Killinger et al.
D626,262 S * 10/2010 Lu D26/51
D666,767 S * 9/2012 Huang D26/142
D702,761 S 4/2014 Foley et al.
8,899,797 B2 12/2014 Schaak
D744,682 S * 12/2015 Porter D26/51
D774,691 S * 12/2016 Akkad D26/142
D774,692 S * 12/2016 Akkad D26/142
2006/0209530 A1 9/2006 Schaak
2007/0047218 A1 * 3/2007 Hsieh A61L 9/22
362/92
2007/0097689 A1 5/2007 Barausky et al.

* cited by examiner

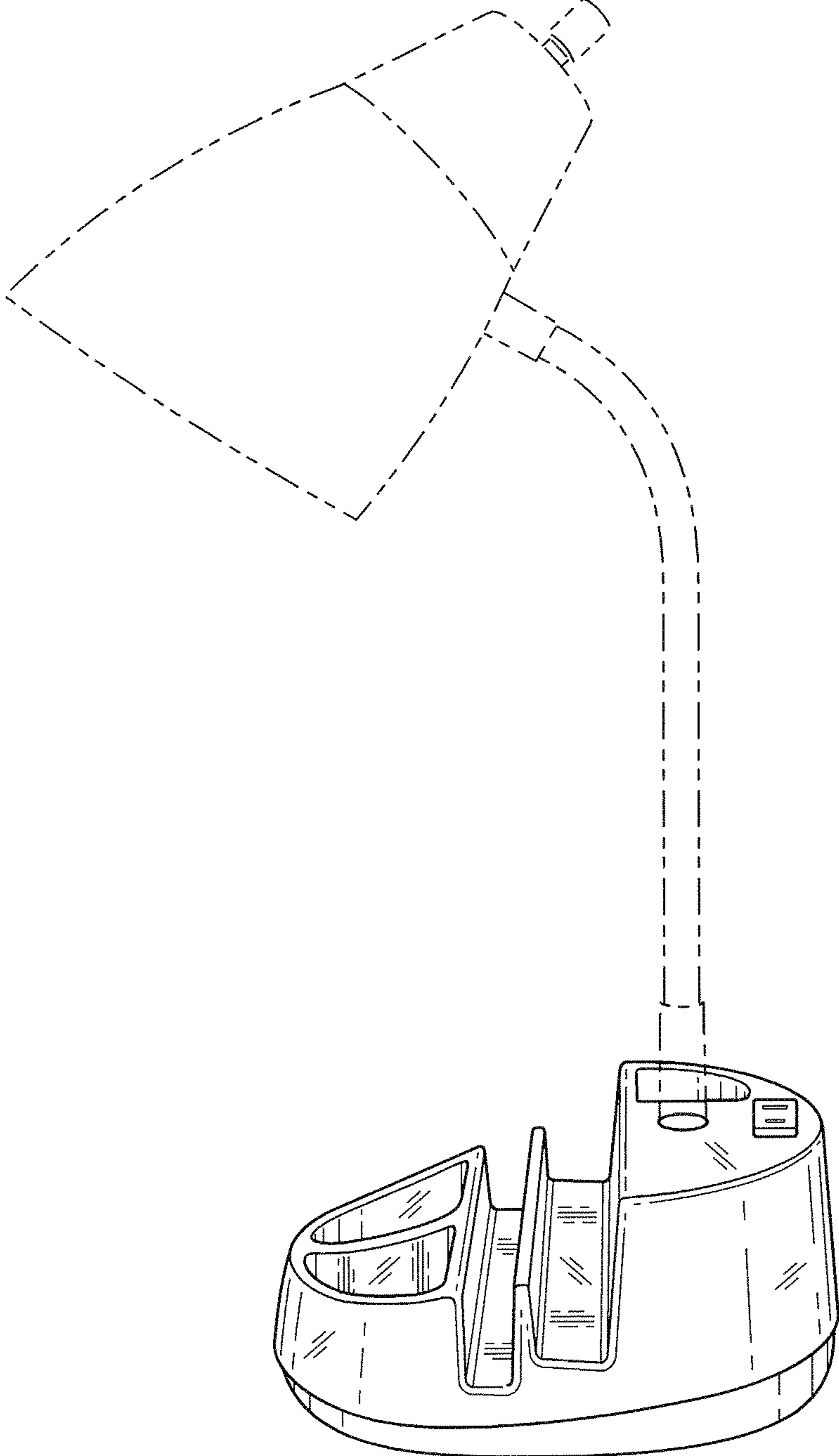


FIG. 1

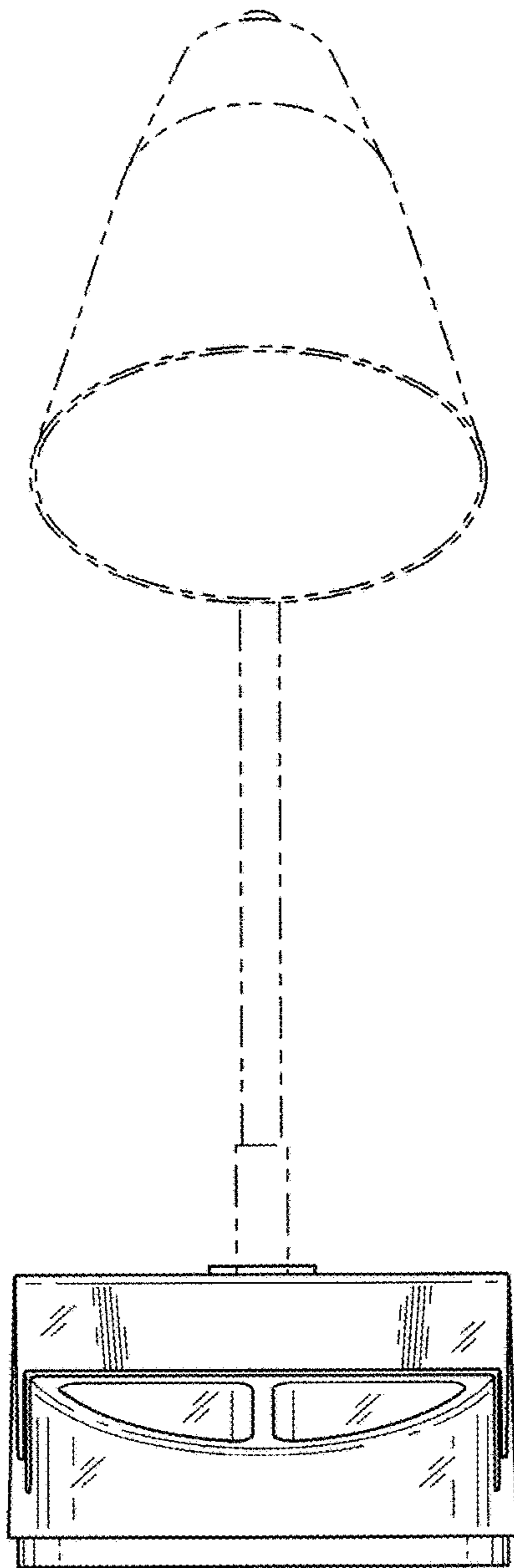


FIG. 2

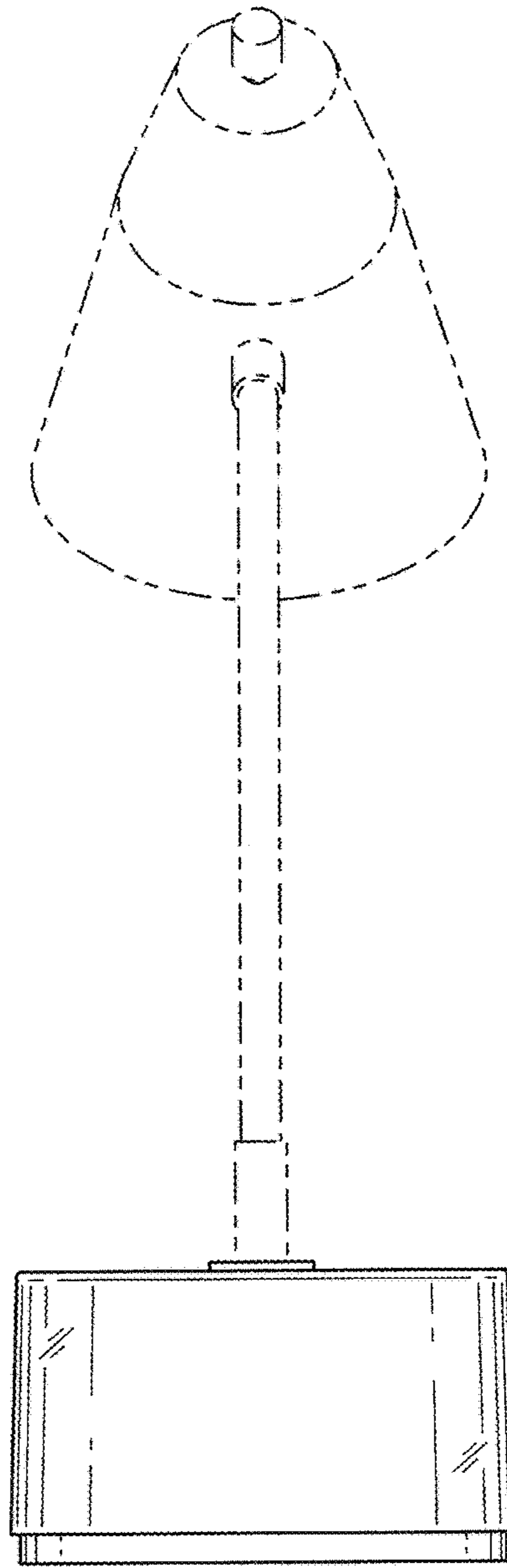


FIG. 3

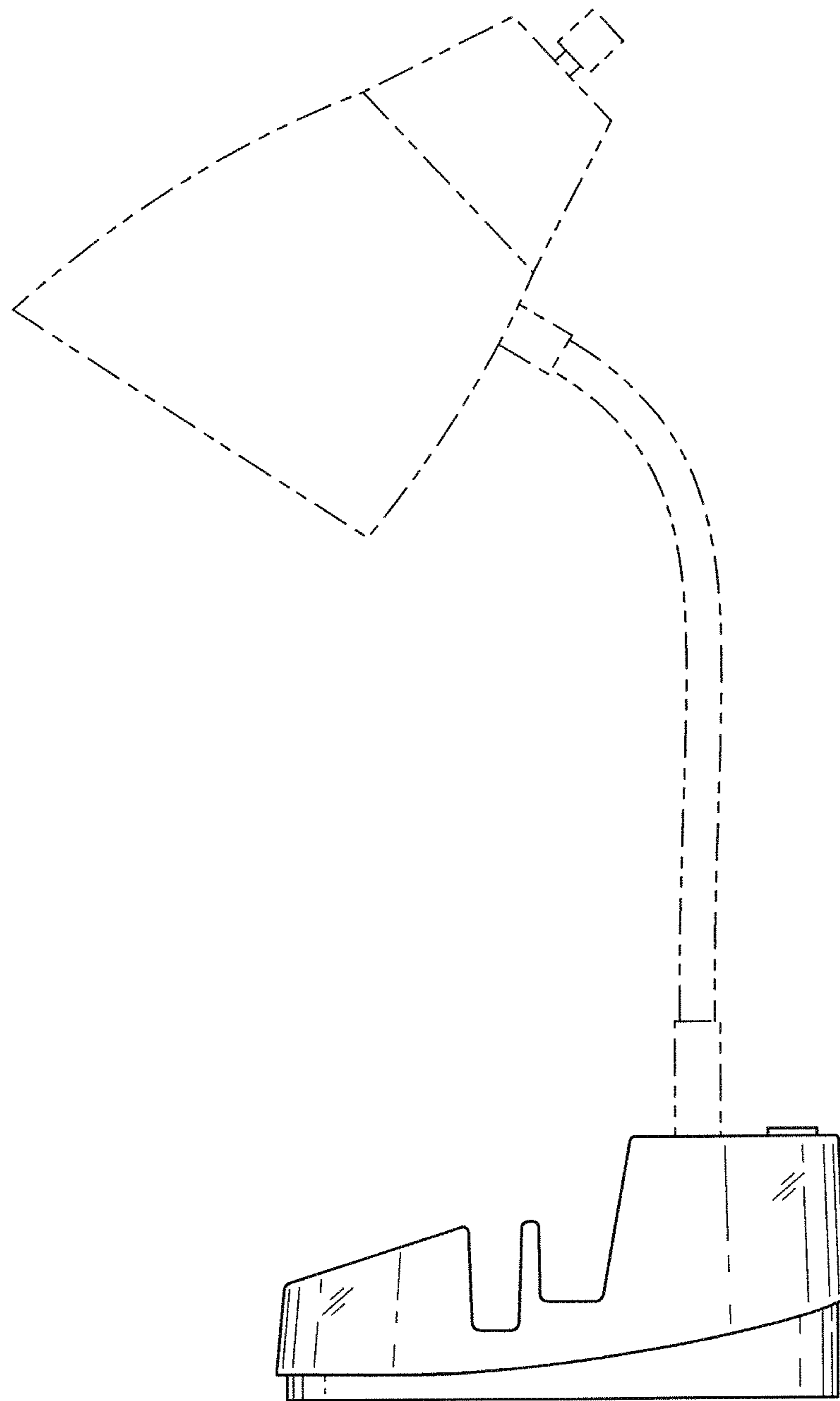


FIG. 4

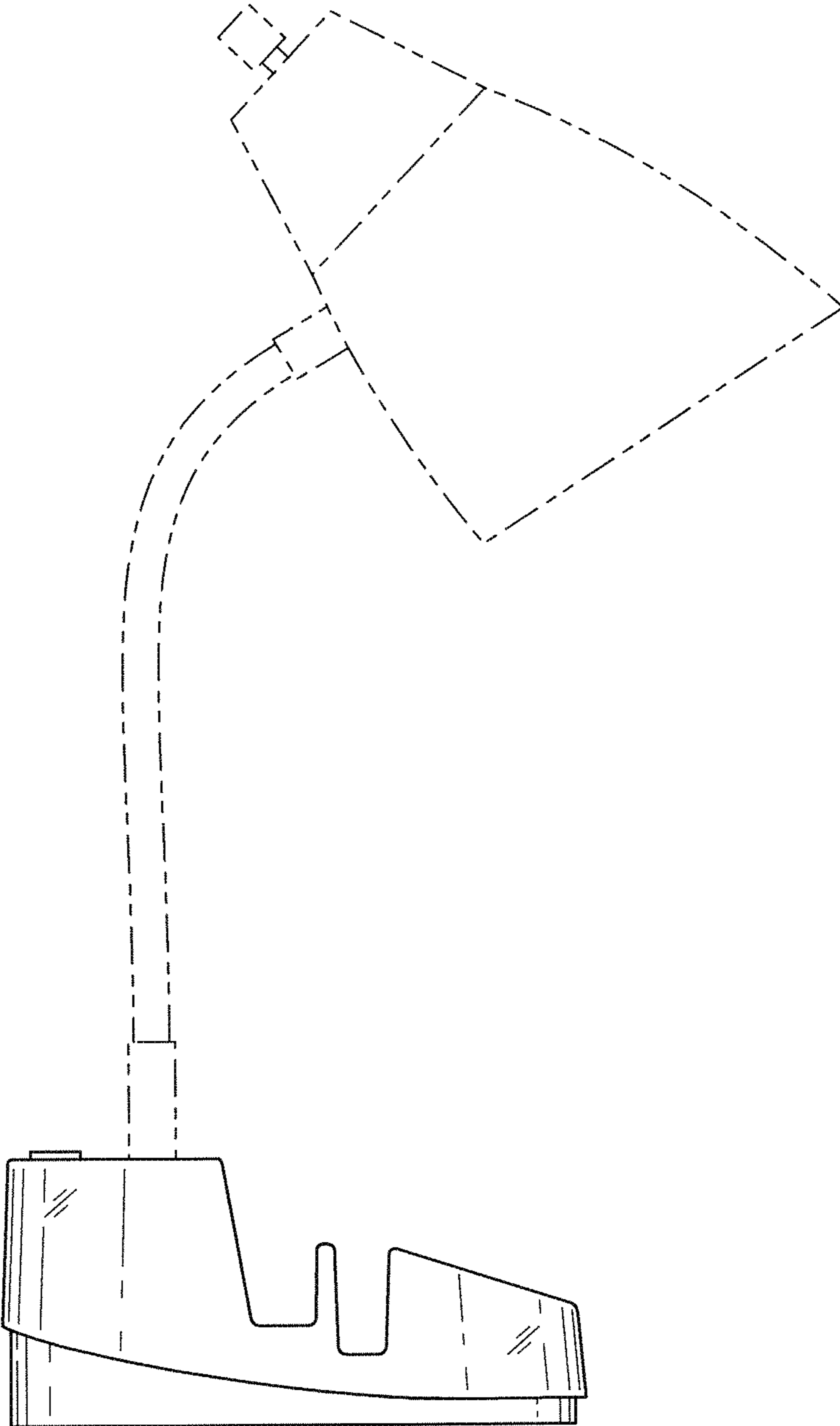


FIG. 5

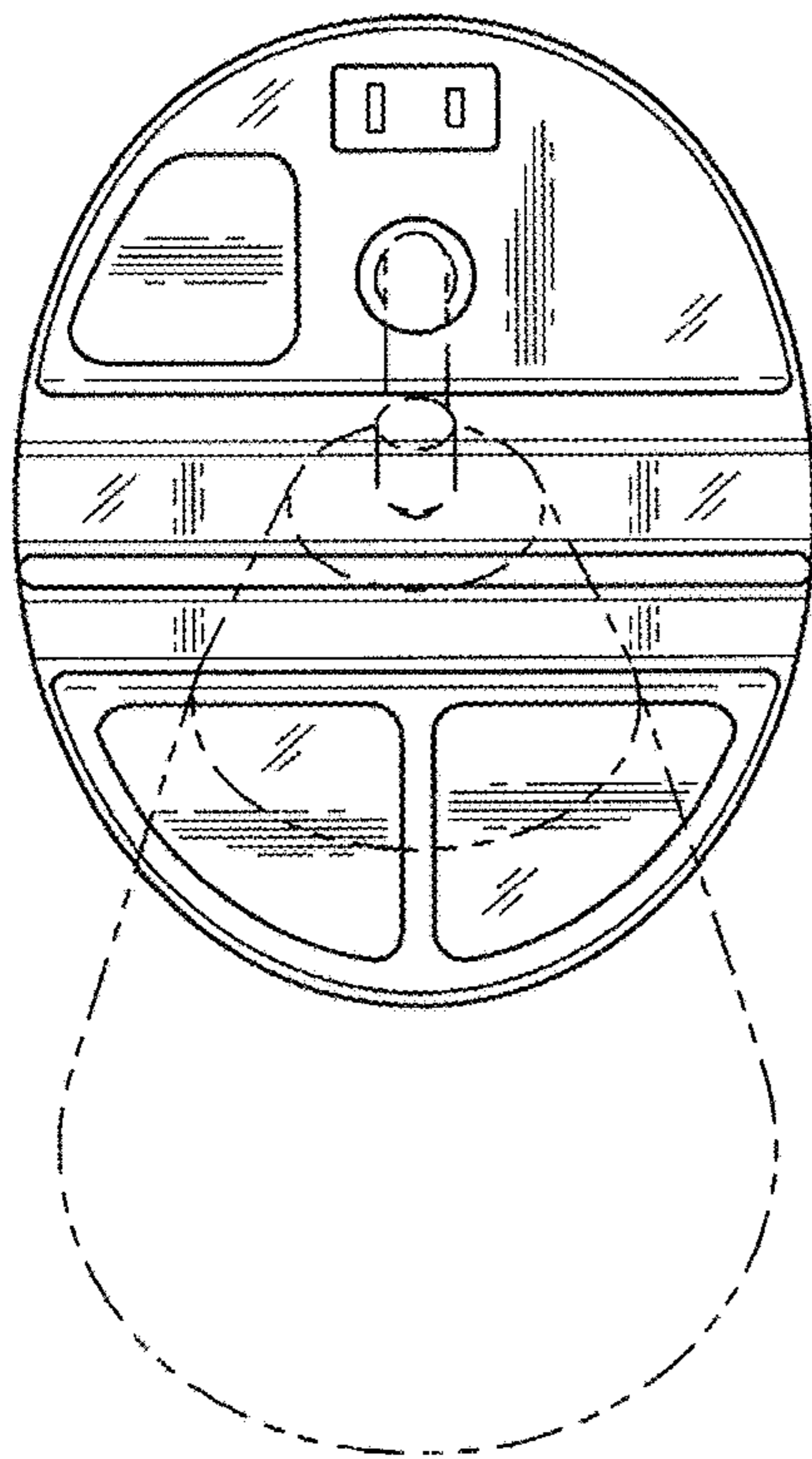


FIG. 6

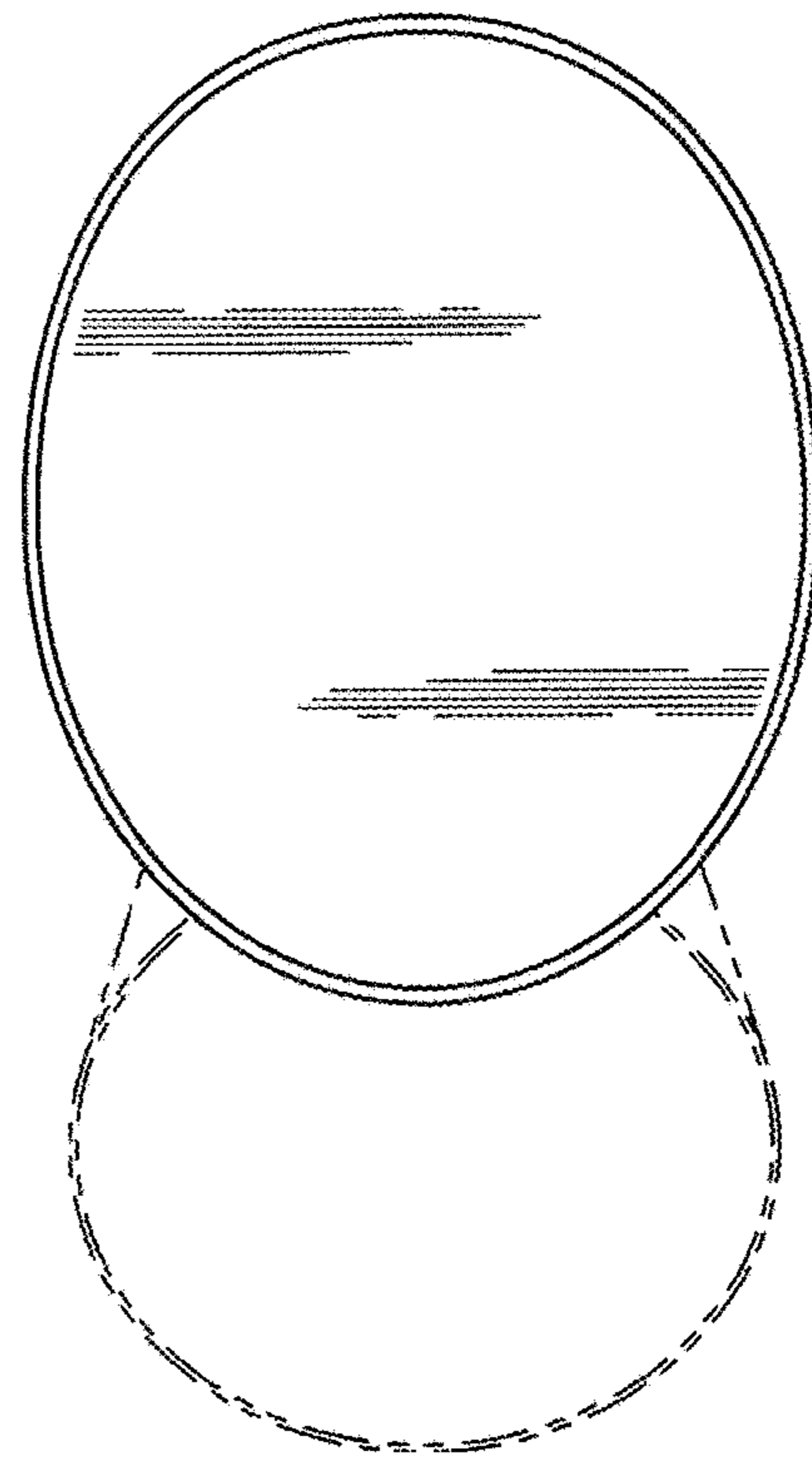


FIG. 7

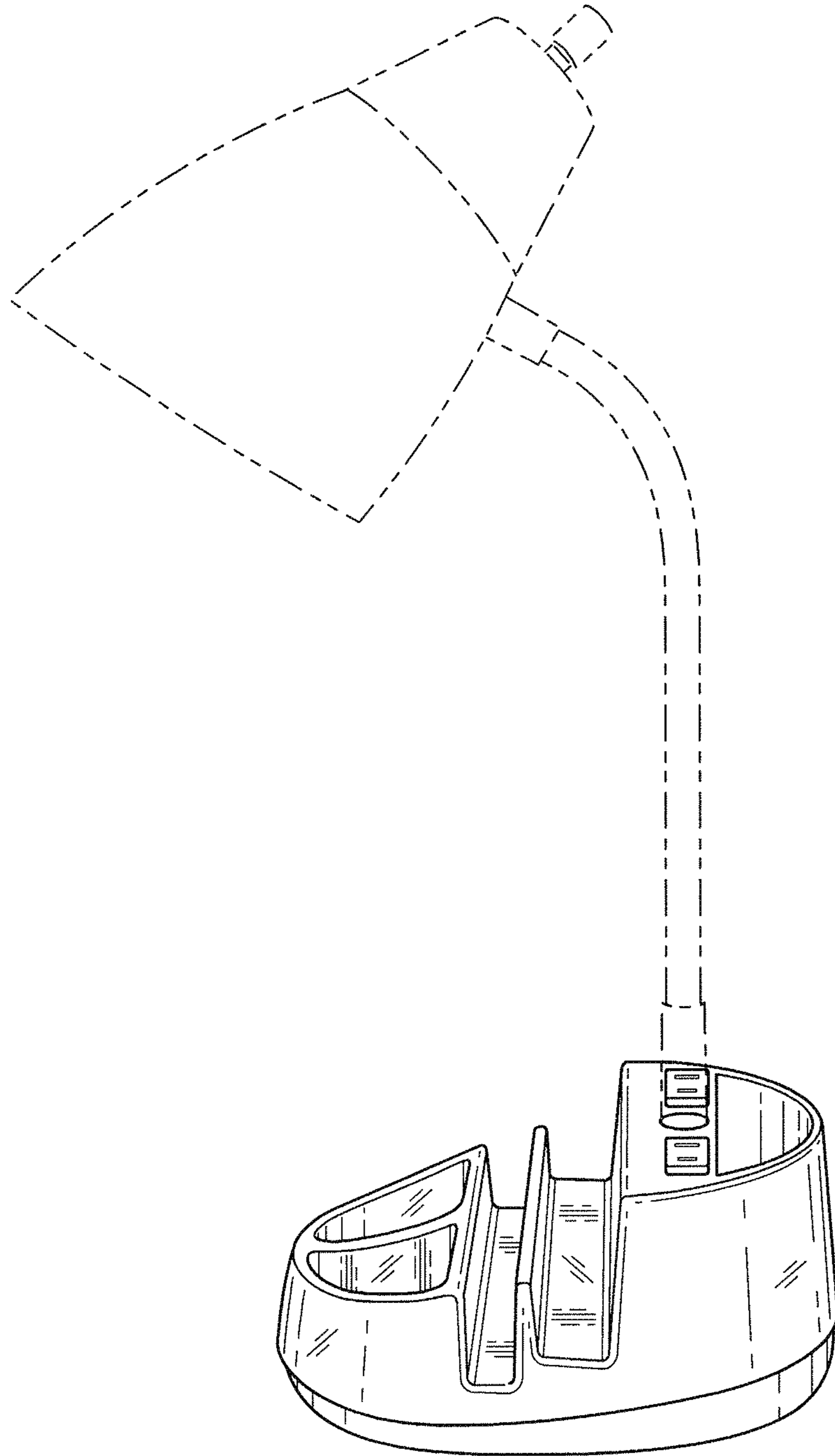


FIG. 8

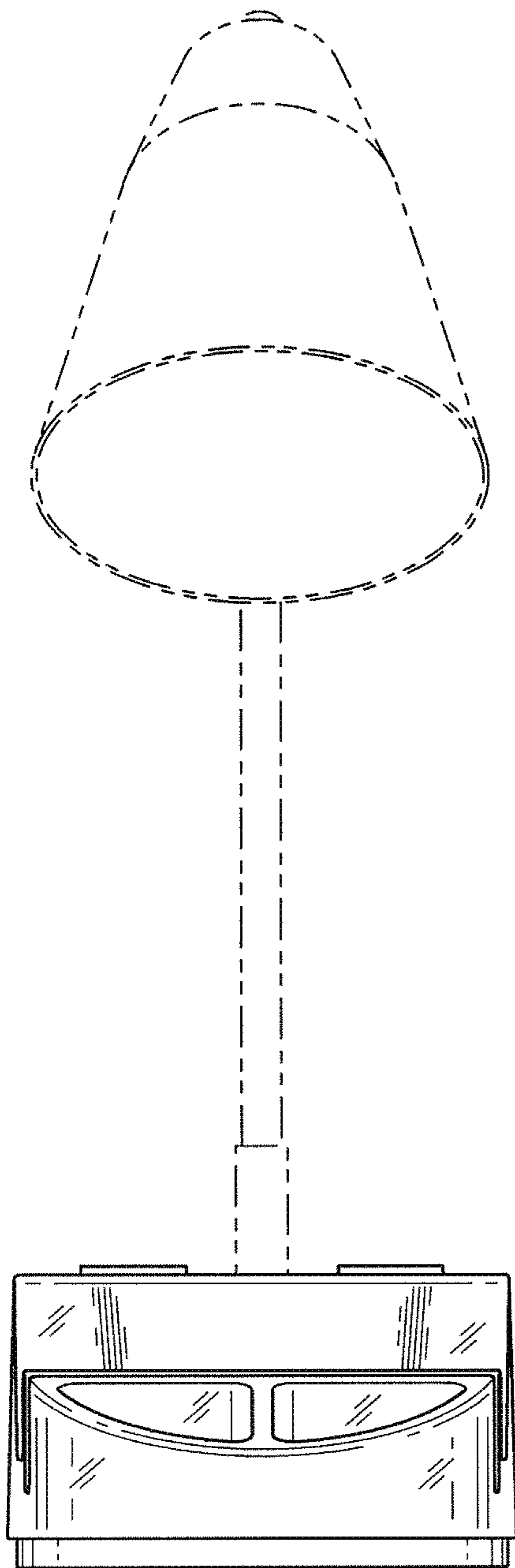


FIG. 9

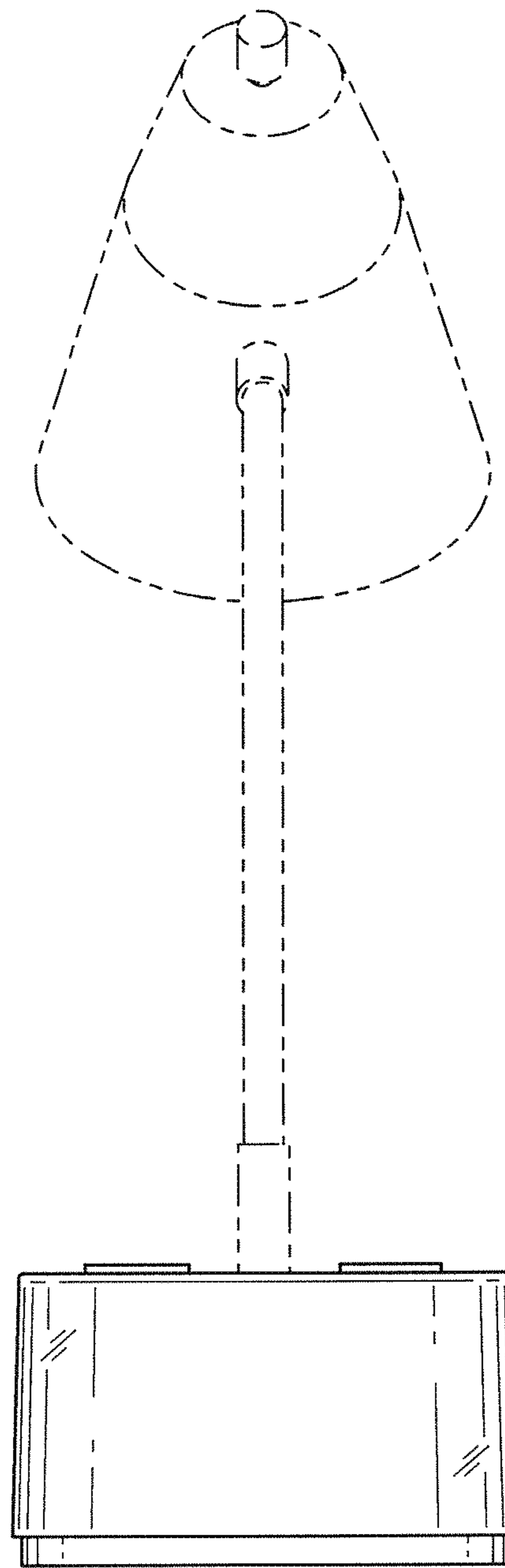


FIG. 10

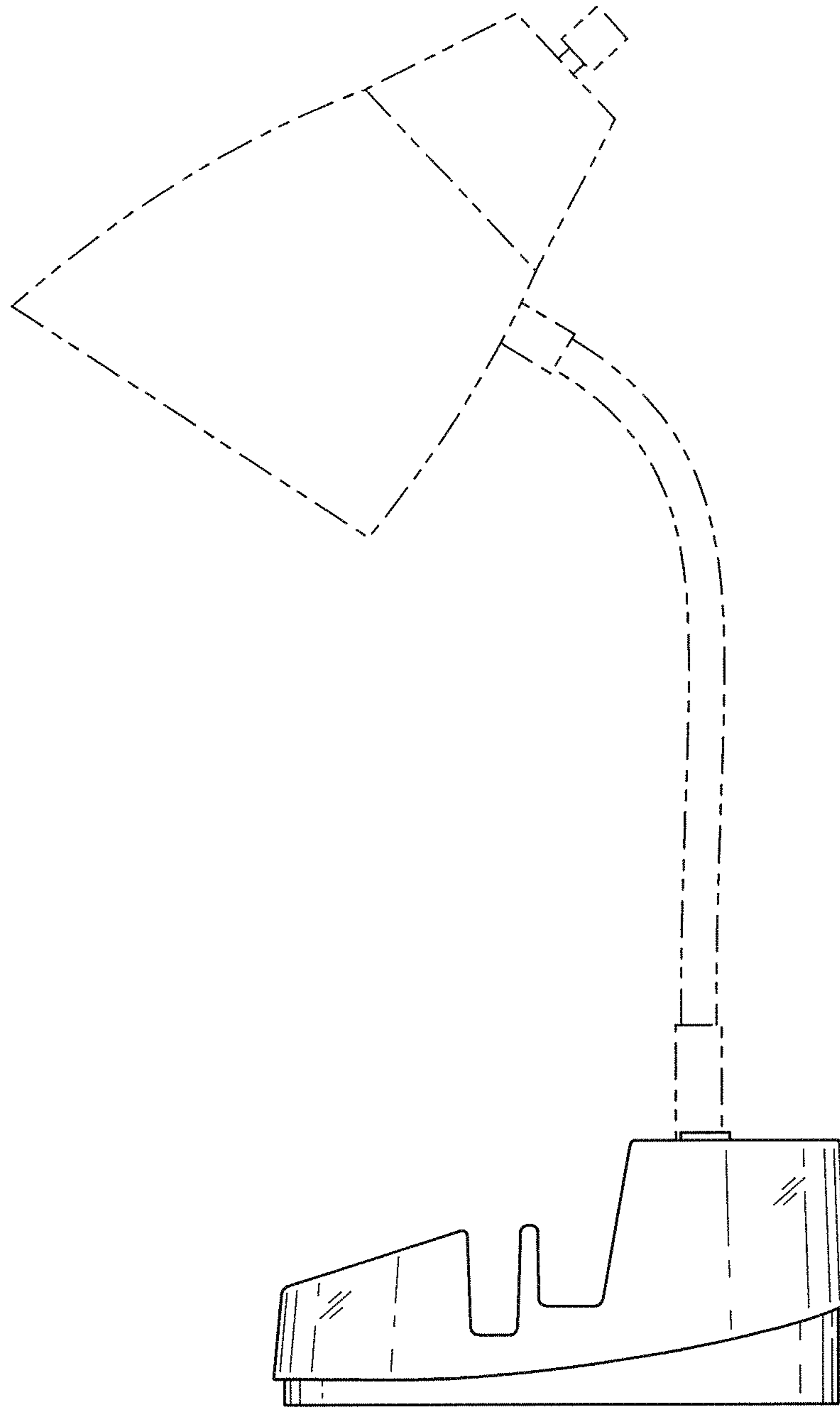


FIG. 11

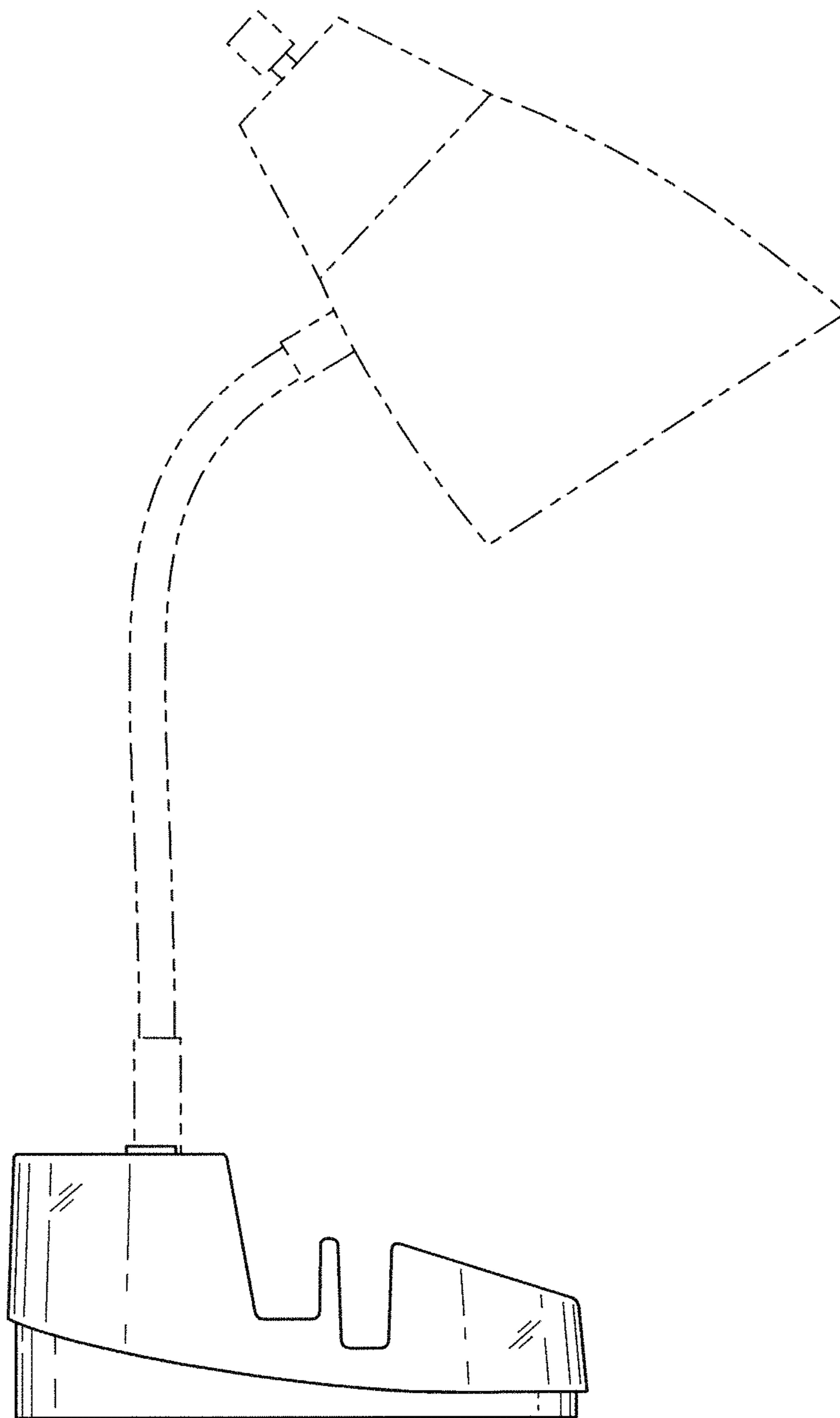


FIG. 12

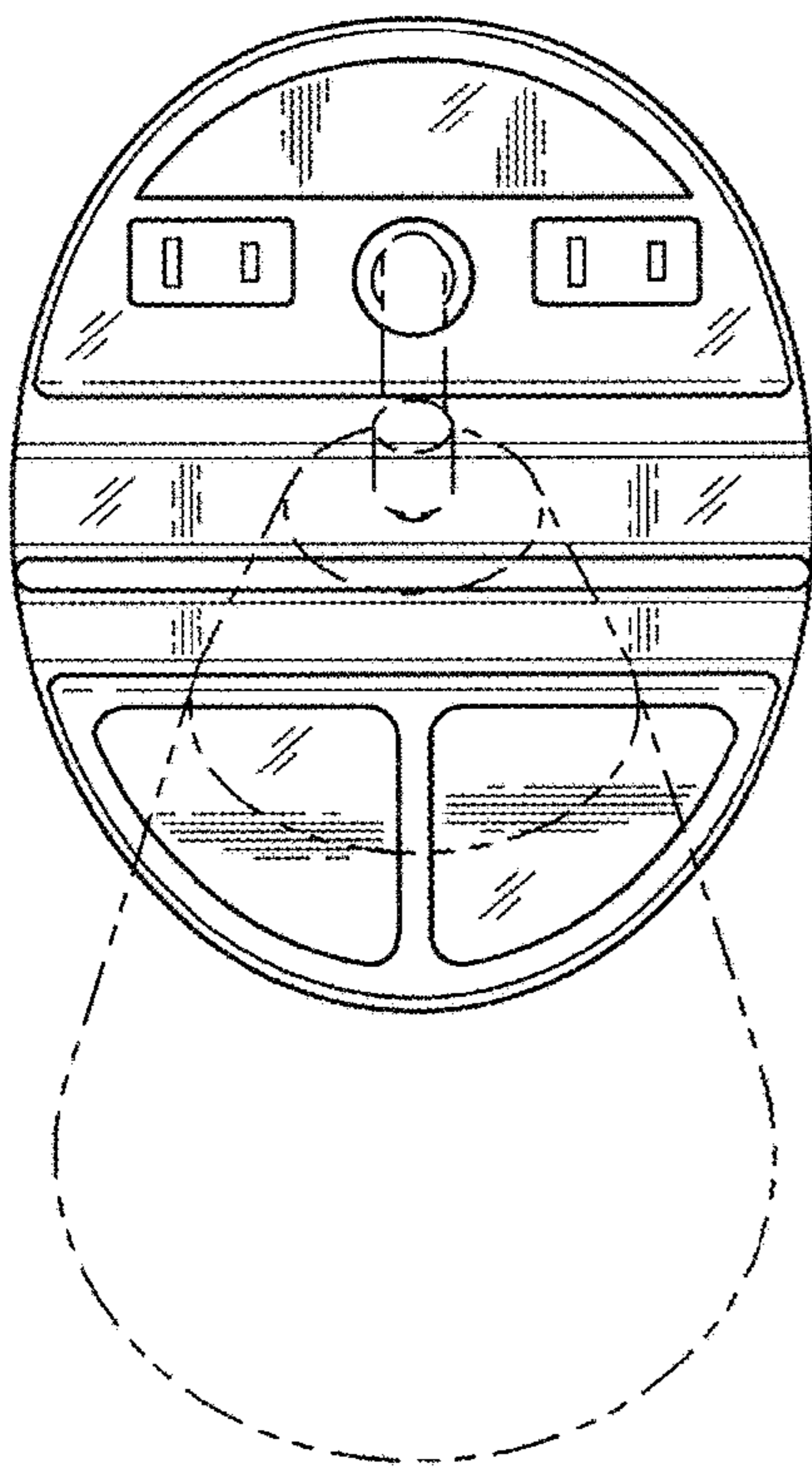


FIG. 13

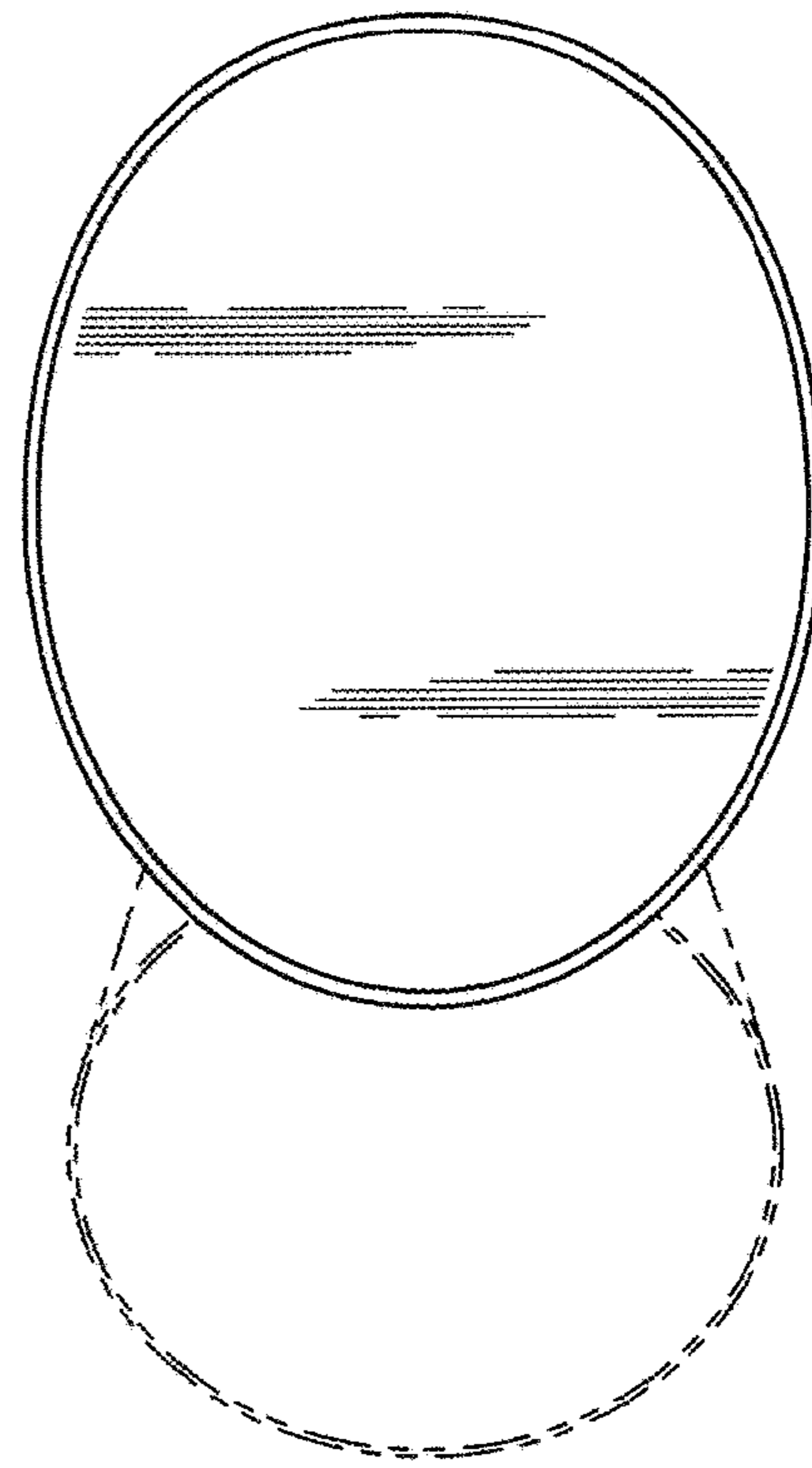


FIG. 14