



US00D819257S

(12) **United States Design Patent**
Iacchetti

(10) **Patent No.:** **US D819,257 S**

(45) **Date of Patent:** **** May 29, 2018**

(54) **LAMP**

(71) Applicant: **ARTEMIDE S.p.A.**, Milan (IT)

(72) Inventor: **Giulio Iacchetti**, Milan (IT)

(73) Assignee: **ARTEMIDE S.p.A.** (IT)

(**) Term: **15 Years**

(21) Appl. No.: **29/580,842**

(22) Filed: **Oct. 13, 2016**

(30) **Foreign Application Priority Data**

Apr. 13, 2016 (EM) 003066844

(51) **LOC (11) Cl.** **26-99**

(52) **U.S. Cl.**
USPC **D26/113; D26/63**

(58) **Field of Classification Search**

USPC D26/60, 63, 67-71, 138, 113, 76
CPC F21V 3/0445; F21V 21/32; F21V 21/0824;
F21V 21/30; F21S 6/003; F21S 6/005;
F21S 6/0032; F21S 8/081; F21S 8/083;
F21S 8/085; F21S 8/088; F21S 8/033;
F21W 2131/103; F21W 2131/109

See application file for complete search history.

(56) **References Cited**

U.S. PATENT DOCUMENTS

4,118,760 A *	10/1978	Cohon	F21S 8/033 362/239
D520,667 S *	5/2006	Jae-Sung	D26/76
D633,241 S *	2/2011	Piano	D26/63
D702,390 S *	4/2014	Clark	D26/76
D756,553 S *	5/2016	Kim	D26/76
D779,696 S *	2/2017	Cicero	D26/63
D793,000 S *	7/2017	Sonneman	D26/113
D795,480 S *	8/2017	Goetz-Schaefer	D26/63

* cited by examiner

Primary Examiner — Brian N. Vinson

(74) *Attorney, Agent, or Firm* — The Belles Group, P.C.

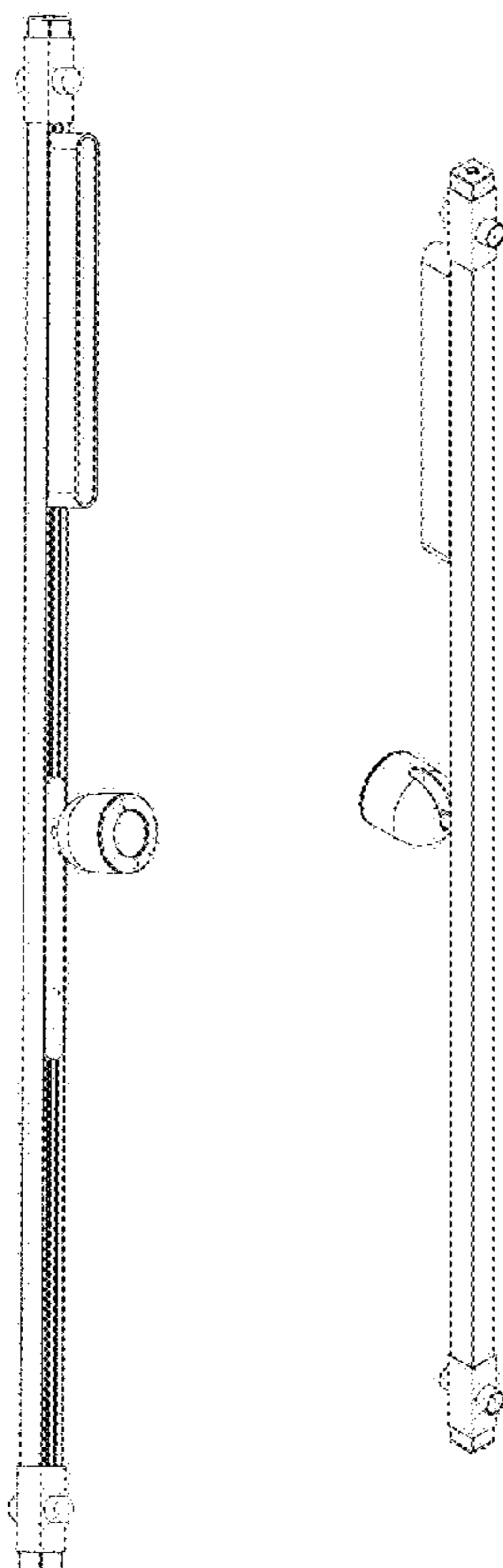
(57) **CLAIM**

I claim the ornamental design for a lamp, as shown and described.

DESCRIPTION

FIG. 1 is a bottom / side perspective view of a lamp in accordance with the new design;
FIG. 2 is a top / side perspective view thereof;
FIG. 3 is a side view thereof, the opposite side view being symmetrical;
FIG. 4 is a top view thereof; and,
FIG. 5 is a front view thereof, the opposite side view being symmetrical.

1 Claim, 5 Drawing Sheets



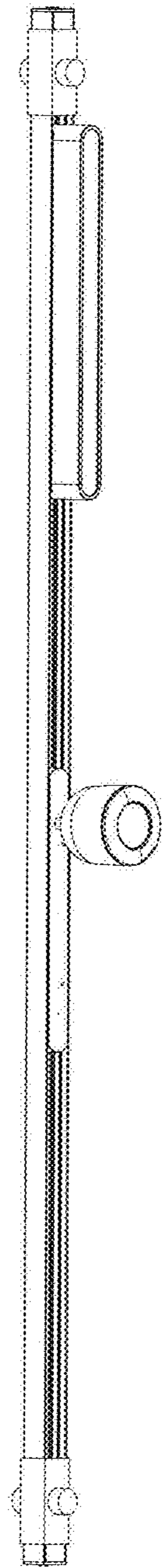


FIG. 1

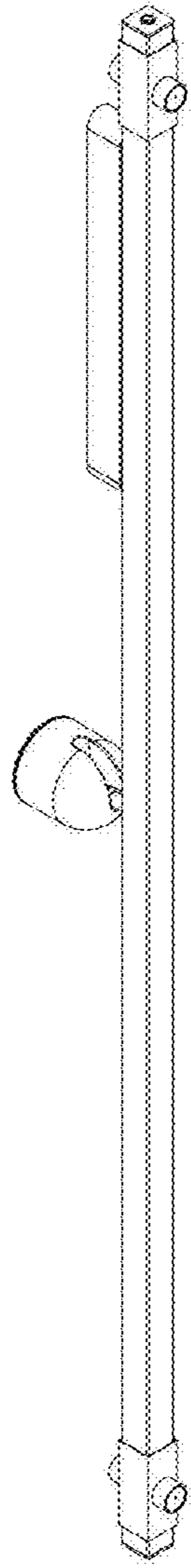


FIG. 2

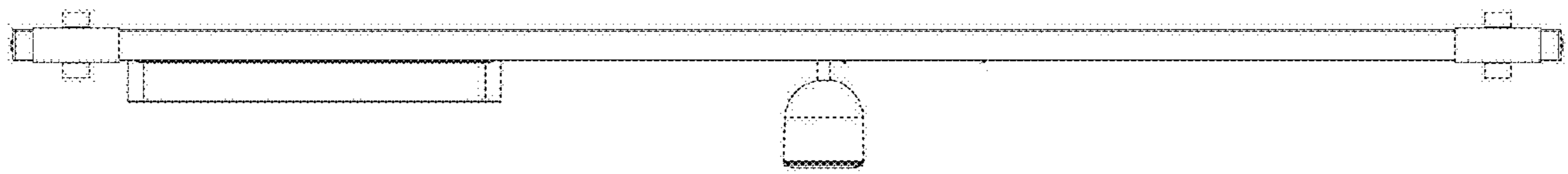


FIG. 3

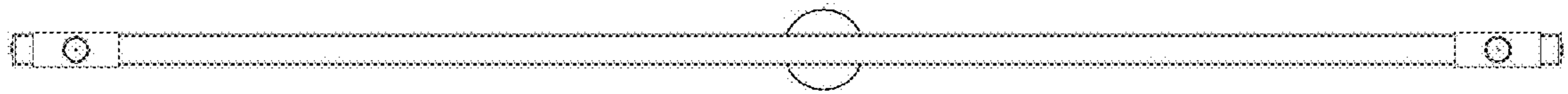


FIG. 4

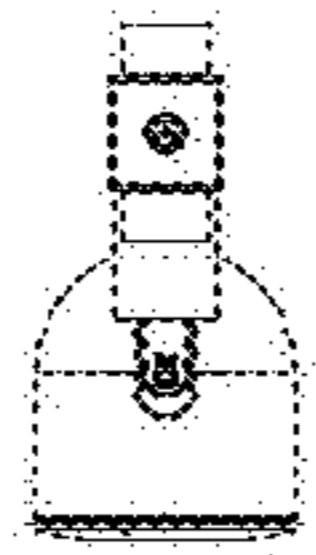


FIG. 5