



US00D819256S

(12) **United States Design Patent**
Campagna

(10) **Patent No.:** **US D819,256 S**

(45) **Date of Patent:** **** May 29, 2018**

(54) **LIGHT FIXTURE**

(71) Applicant: **Cary J. Campagna**, Portage, MI (US)

(72) Inventor: **Cary J. Campagna**, Portage, MI (US)

(73) Assignee: **COMMAND ELECTRONICS, INC.**,
Schoolcraft, MI (US)

(**) Term: **15 Years**

(21) Appl. No.: **29/569,780**

(22) Filed: **Jun. 30, 2016**

(51) **LOC (11) Cl.** **26-03**

(52) **U.S. Cl.**
USPC **D26/89**

(58) **Field of Classification Search**
USPC D26/72, 76, 80, 85, 89, 90
CPC F21S 8/03; F21S 8/033; F21S 8/04; F21S
8/06; F21S 8/061; F21S 8/063; F21W
2131/301; F21V 21/08; F21V 21/0808;
F21V 21/096; F21V 21/0965
See application file for complete search history.

(56) **References Cited**

U.S. PATENT DOCUMENTS

- 1,950,458 A * 3/1934 Schepmoes F21S 8/04
362/243
- D483,511 S * 12/2003 Lay D26/80
- D498,871 S * 11/2004 Benensohn D26/89
- D516,236 S * 2/2006 Yeh D26/89

- D526,736 S * 8/2006 Blackman D26/89
- D545,477 S * 6/2007 DeBruyne D26/76
- D559,430 S * 1/2008 Kuo D26/89
- D603,997 S * 11/2009 Shiu D26/72
- D783,194 S * 4/2017 Camarota D26/89
- 2013/0039055 A1* 2/2013 Wilson B60Q 3/74
362/235
- 2013/0170180 A1* 7/2013 Lee F21V 29/00
362/92
- 2015/0277030 A1* 10/2015 Huang F21V 3/04
362/611

* cited by examiner

Primary Examiner — Clare E Heflin

(74) *Attorney, Agent, or Firm* — Flynn, Thiel, Boutell &
Tanis, P.C.

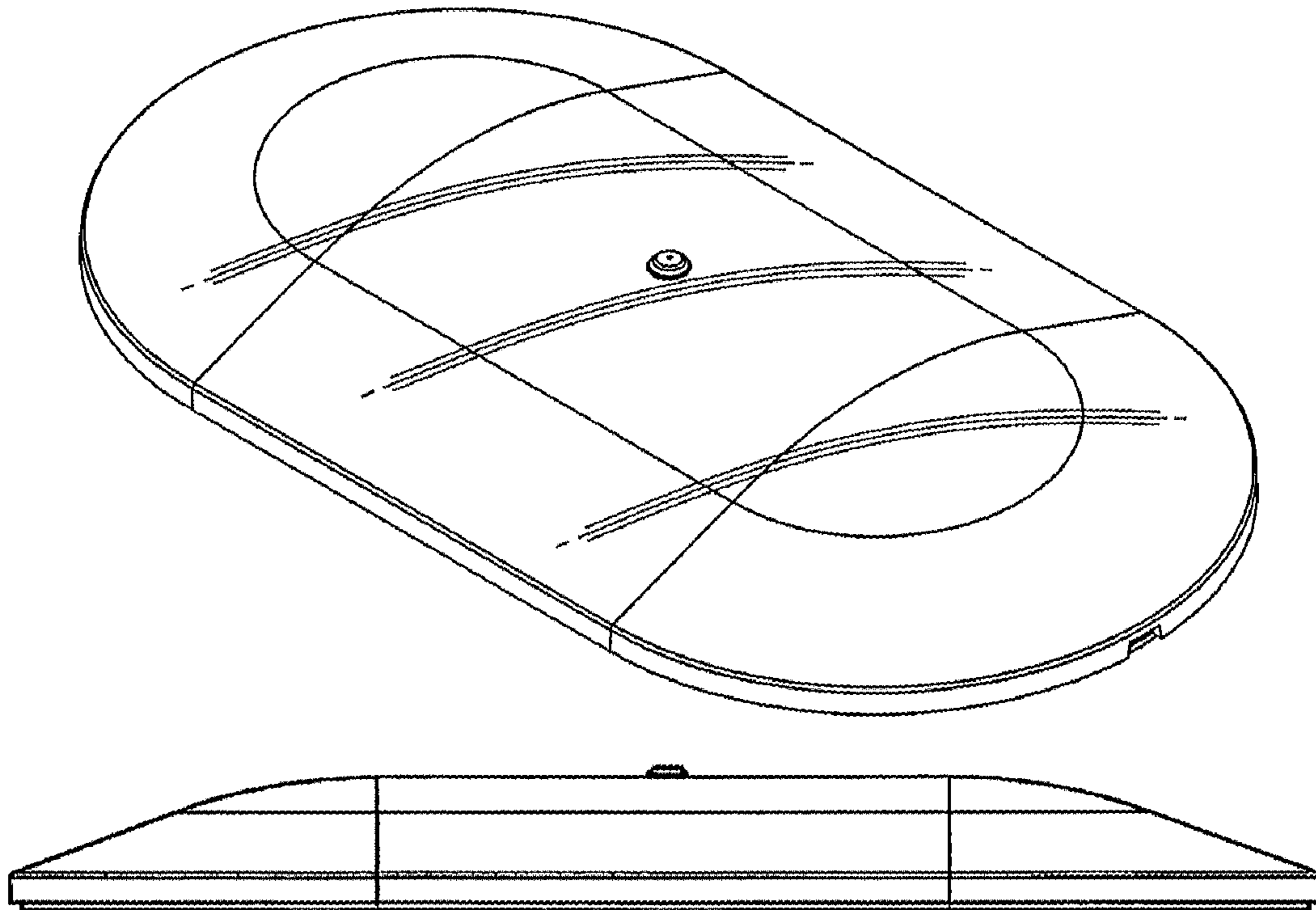
(57) **CLAIM**

The ornamental design for a light fixture, as shown and described.

DESCRIPTION

FIG. 1 is a top, right end and front view of a light fixture embodying my new design;
 FIG. 2 is a top view thereof;
 FIG. 3 is a front view thereof, the rear view being identical thereto;
 FIG. 4 is a left end view thereof, the right end view being identical thereto; and,
 FIG. 5 is a bottom view thereof.
 The broken lines shown on the drawings depict portions of the light fixture that form no part of the claimed design.

1 Claim, 2 Drawing Sheets



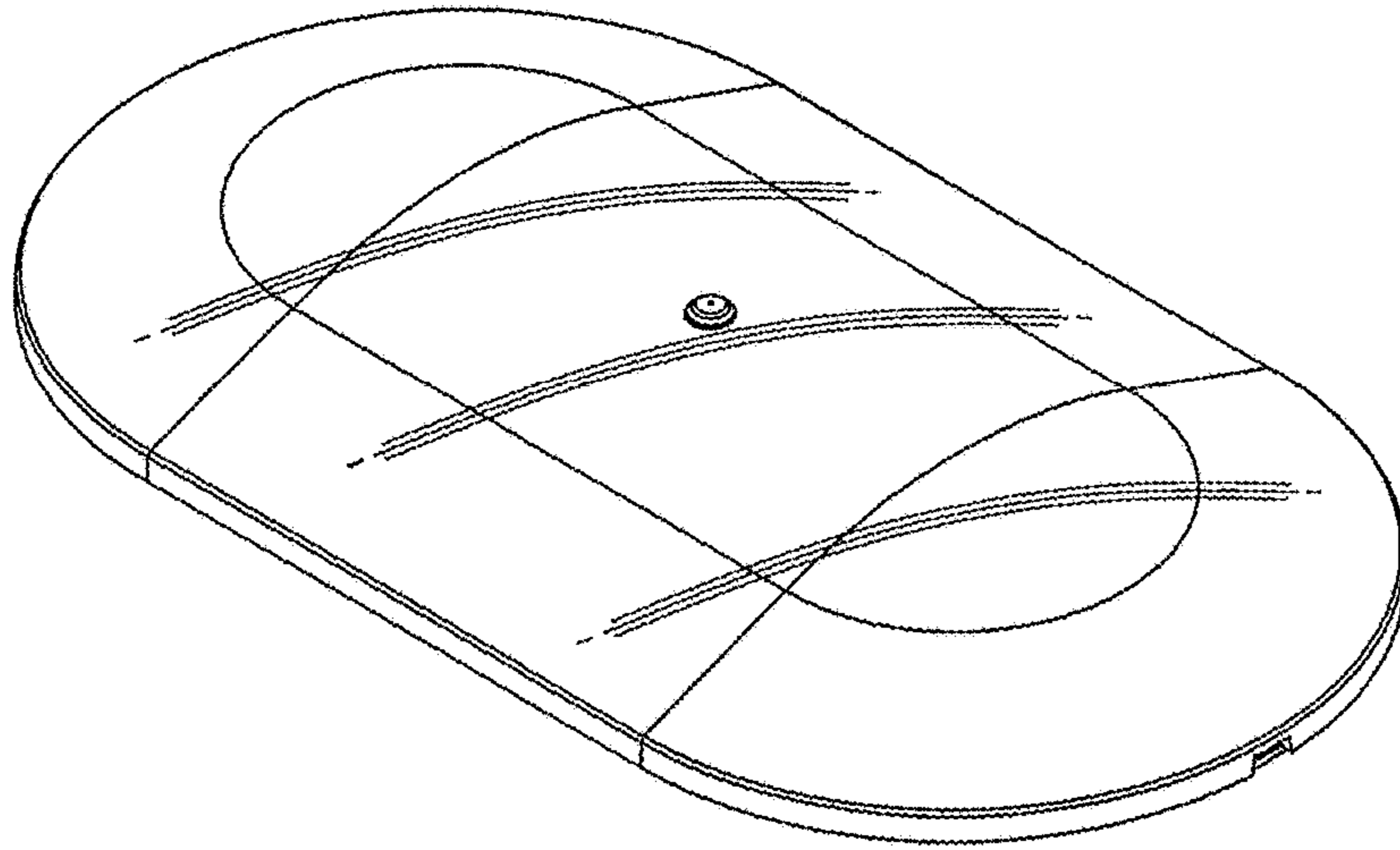


FIG. 1

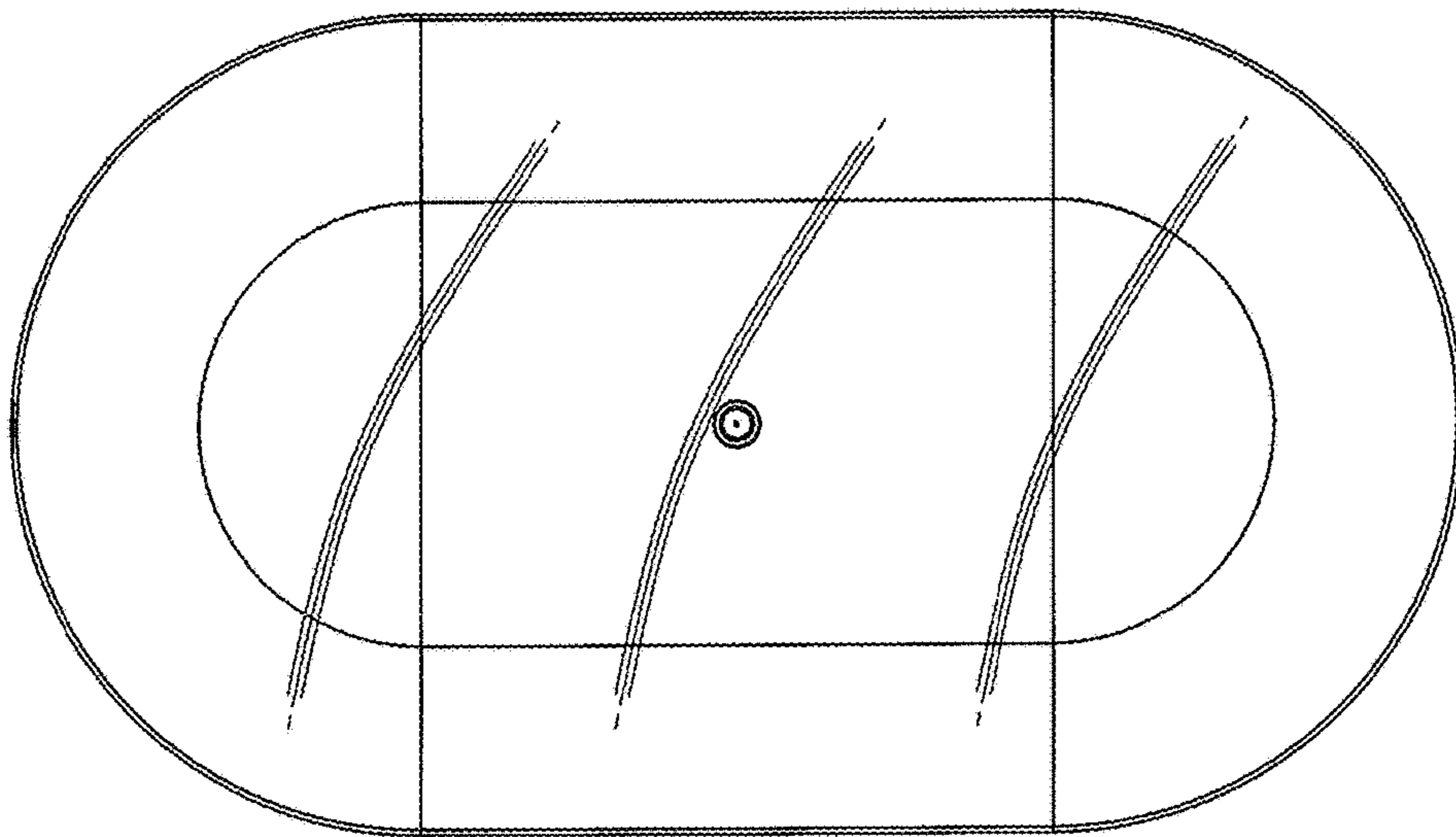


FIG. 2



FIG. 3



FIG. 4

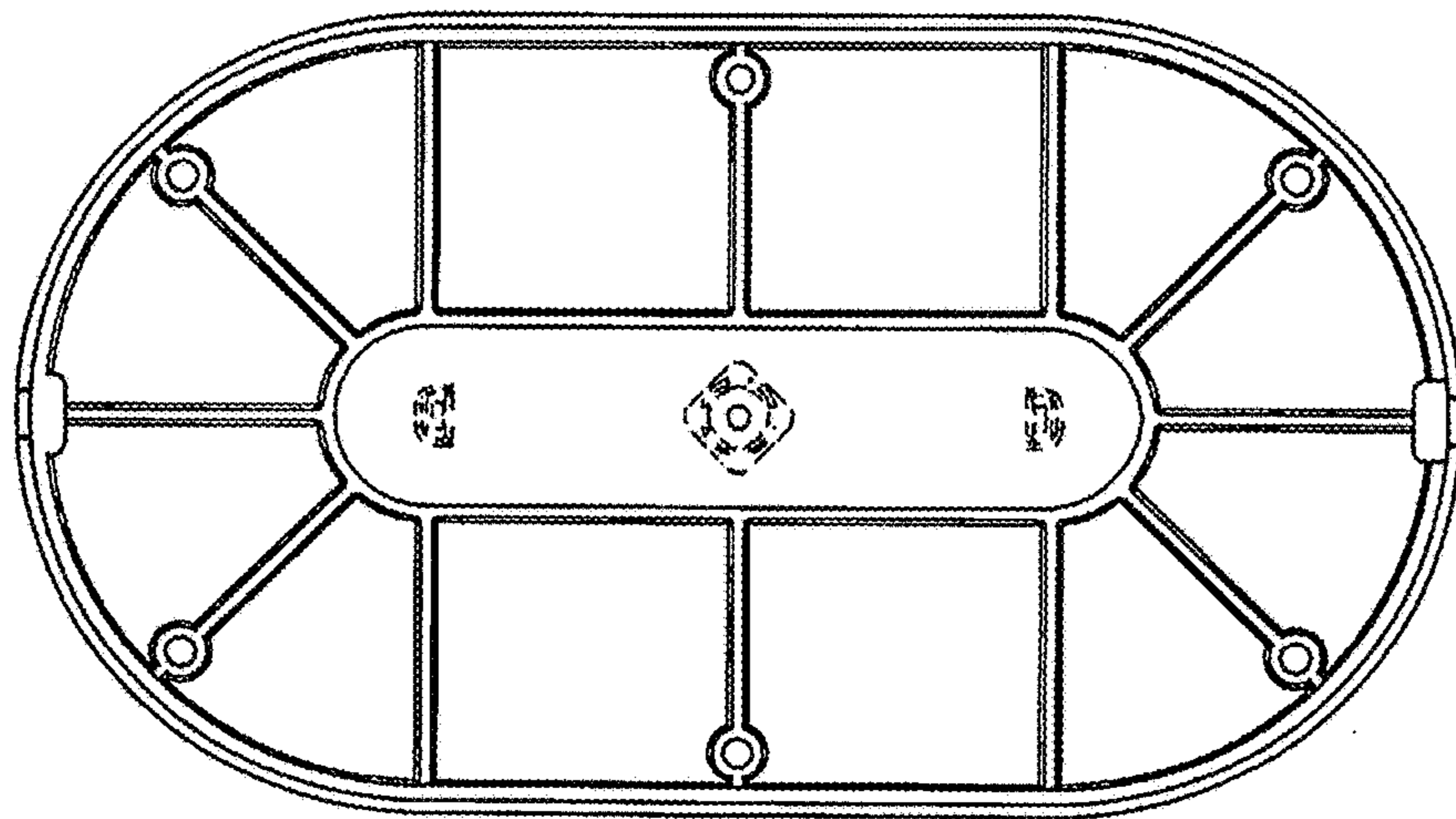


FIG. 5