



US00D819254S

(12) **United States Design Patent**
Richardson et al.

(10) **Patent No.:** **US D819,254 S**

(45) **Date of Patent:** **** May 29, 2018**

(54) **LIGHT FIXTURE**

(71) Applicant: **Gold Crest, LLC**, Santa Barbara, CA (US)

(72) Inventors: **Pat Richardson**, Santa Barbara, CA (US); **Carolyn Chase**, Santa Clara, CA (US); **Matt Miller**, Dallas, TX (US)

(73) Assignee: **Gold Crest LLC**, Santa Barbara, CA (US)

(**) Term: **15 Years**

(21) Appl. No.: **29/575,269**

(22) Filed: **Aug. 23, 2016**

(51) **LOC (11) Cl.** **26-03**

(52) **U.S. Cl.**
USPC **D26/85**

(58) **Field of Classification Search**
USPC D26/72, 85, 87, 92, 118, 120, 138, 142, D26/145, 155
CPC F21S 8/03; F21S 8/033; F21S 8/035; F21S 8/036; F21S 8/037; F21V 1/146; F21V 3/0409; F21V 7/041; F21V 7/043; F21V 7/045; F21V 7/046; F21V 7/05; F21V 7/06

See application file for complete search history.

(56) **References Cited**

U.S. PATENT DOCUMENTS

D151,626 S *	11/1948	Kress	D26/85
2,640,913 A *	6/1953	Little	F21S 8/033 362/307
D190,671 S *	6/1961	Rambusch et al.	D26/85
D248,184 S *	6/1978	Roberts	D26/85
4,432,042 A	2/1984	Zeller		
D283,056 S	3/1986	Ansems		
D301,753 S	6/1989	Iacovelli		
D302,331 S *	7/1989	Dolfi	D26/85
D328,358 S	7/1992	Tsang		

D339,203 S *	9/1993	Namenye	D26/85
D397,468 S	8/1998	Zeller		
5,822,546 A	10/1998	George		
D418,240 S	12/1999	Sherman		
D427,703 S	7/2000	Chan		
D435,679 S	12/2000	Naghi et al.		
6,172,884 B1	1/2001	Lanni		
D448,104 S	9/2001	Weitzman et al.		

(Continued)

OTHER PUBLICATIONS

Aria White Plaster Wall Light for Up-and-Down Lighting, Model Nos. 7074 and 7107 by Astro Lighting. Listing at sparksdirect.co.uk. Specification Sheet dated Jun. 11, 2012. (4 pages.) (Year: 2012).*

(Continued)

Primary Examiner — Clare E Heflin

(74) *Attorney, Agent, or Firm* — Tsircou Law, PC

(57) **CLAIM**

We claim the ornamental design for a light fixture, as shown and described.

DESCRIPTION

FIG. 1 a front perspective view of a light fixture of the new design.

FIG. 2 is a front elevational view of the light fixture of FIG. 1.

FIG. 3 is a back perspective view of the light fixture of FIG. 1.

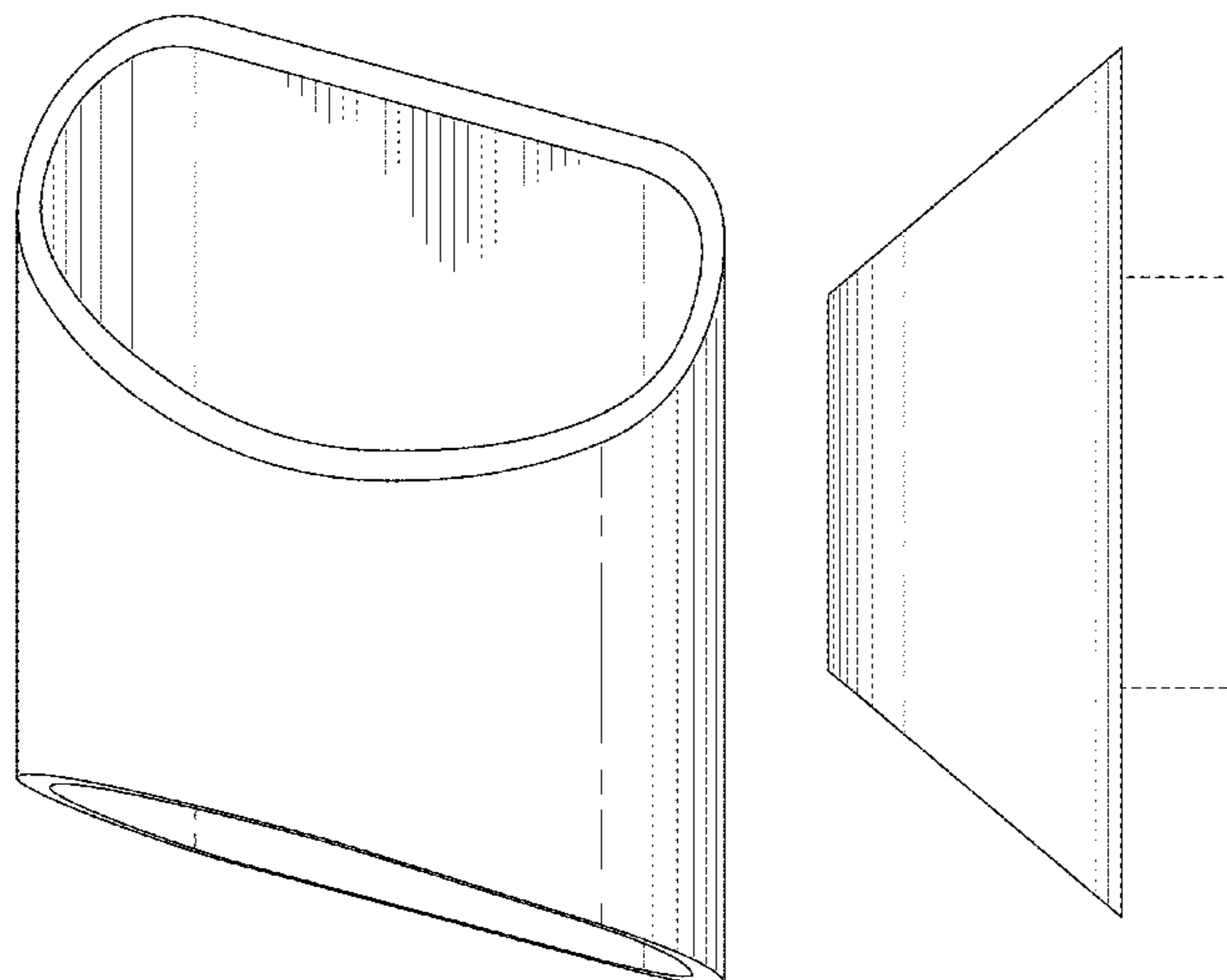
FIG. 4 is a back elevational view of the light fixture of FIG. 1.

FIG. 5 is a side view of the light fixture of FIG. 1, which is a mirror image of the opposite side; and,

FIG. 6 is top view of the light fixture of FIG. 1, which is a mirror image of the bottom view.

The dashed lines depict environmental aspects and form no part of the claimed design.

1 Claim, 5 Drawing Sheets



(56)

References Cited

U.S. PATENT DOCUMENTS

6,361,184 B1 3/2002 Hallgrimsson et al.
 D456,923 S 5/2002 Konig
 6,386,724 B2 5/2002 Naghi
 6,465,987 B1 10/2002 Haas et al.
 D469,910 S * 2/2003 St-Pierre D26/85
 D476,106 S 6/2003 Kim
 6,586,849 B2 7/2003 Tarr
 6,680,844 B2 1/2004 Kim
 6,711,006 B2 3/2004 Chen
 6,749,314 B2 6/2004 Naghi et al.
 6,773,192 B1 8/2004 Chao
 6,808,289 B2 10/2004 Reed
 D498,322 S 11/2004 Schnell
 6,851,819 B2 2/2005 Naghi et al.
 D506,279 S 6/2005 Sirichai et al.
 6,921,284 B2 7/2005 Sirichai et al.
 7,004,596 B2 2/2006 Merrem
 D522,677 S 6/2006 Ming
 D529,651 S 10/2006 Chan
 D562,485 S 2/2008 Brown
 7,541,692 B2 6/2009 Hirst et al.
 7,649,279 B2 1/2010 Lanni

7,727,031 B2 6/2010 Lord
 D627,916 S * 11/2010 Butteris D26/85
 D646,425 S * 10/2011 Crosby D26/85
 D698,072 S * 1/2014 Messisaen D26/85
 8,827,505 B1 * 9/2014 Senkyr F21S 8/036
 362/351
 D803,456 S * 11/2017 Yang D26/85
 2001/0043468 A1 11/2001 Krietzman et al.
 2001/0048409 A1 12/2001 Kim
 2002/0186563 A1 12/2002 Krietzman et al.
 2003/0223228 A1 12/2003 Krietzman
 2004/0017677 A1 1/2004 Krietzman
 2004/0042735 A1 3/2004 Ma
 2004/0090795 A1 5/2004 Kim
 2005/0083677 A1 4/2005 Krietzman
 2006/0109620 A1 5/2006 Kim

OTHER PUBLICATIONS

Aplomb LED Wall Sconce by Foscarini. Designed by Lucidi & Pevero, 2014. Listing from ylighting.com. (Year: 2014).*
 Axton Ceramic Wall Light by Dar Lighting. Listing at midwestlighting.ie. (c)2011. (2 pages) (Year: 2011).*

* cited by examiner

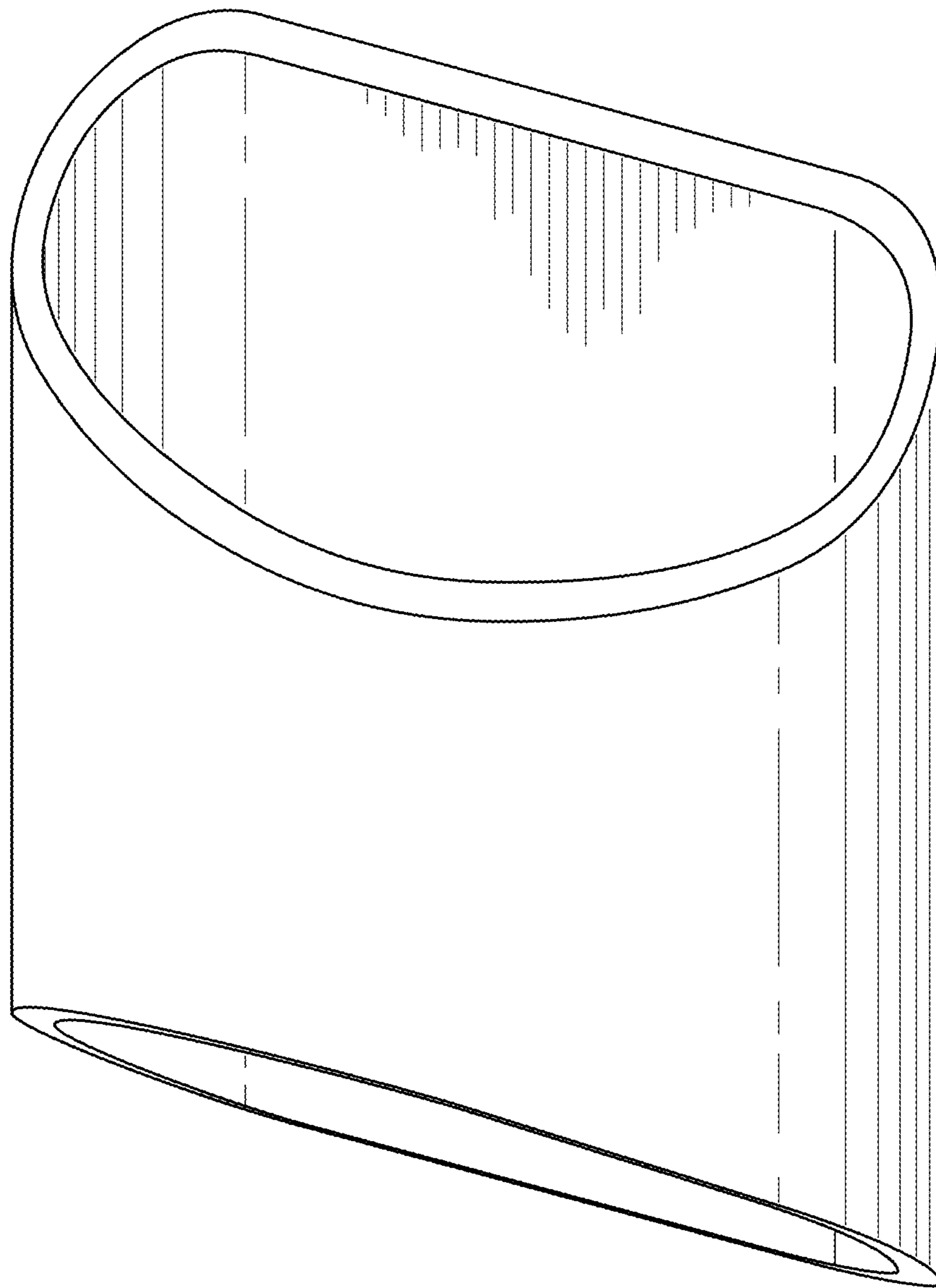


FIG. 1

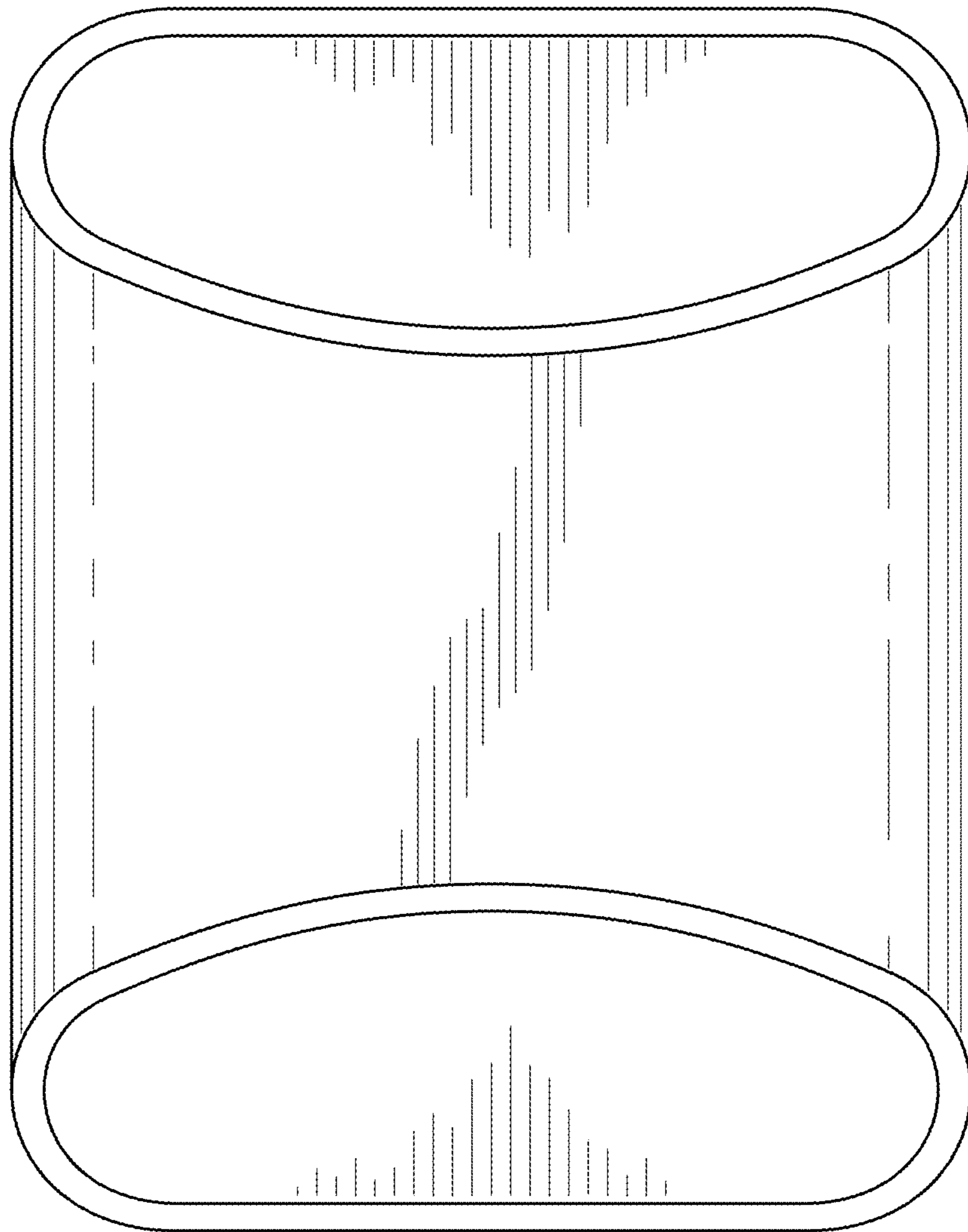


FIG. 2

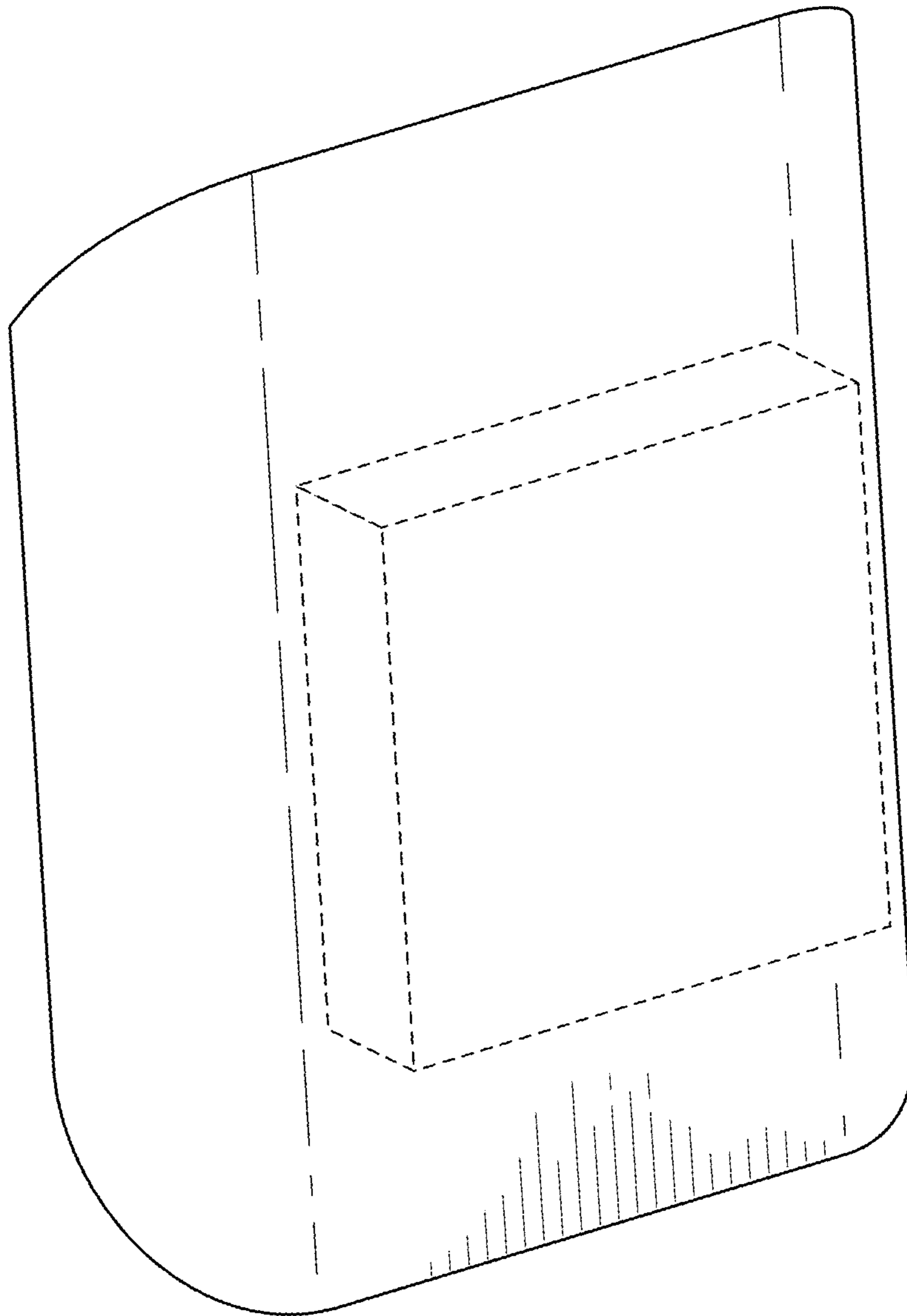


FIG. 3

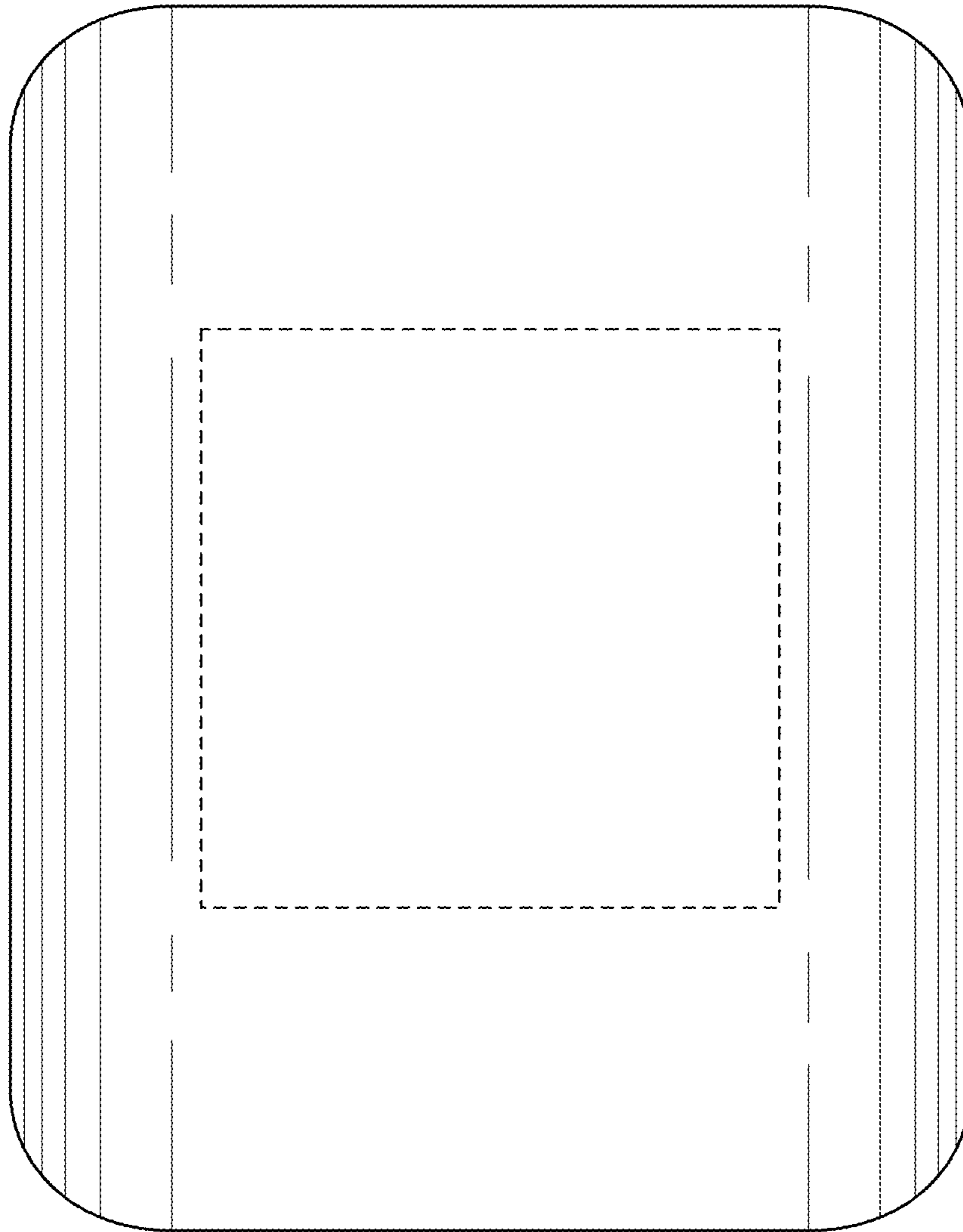


FIG. 4

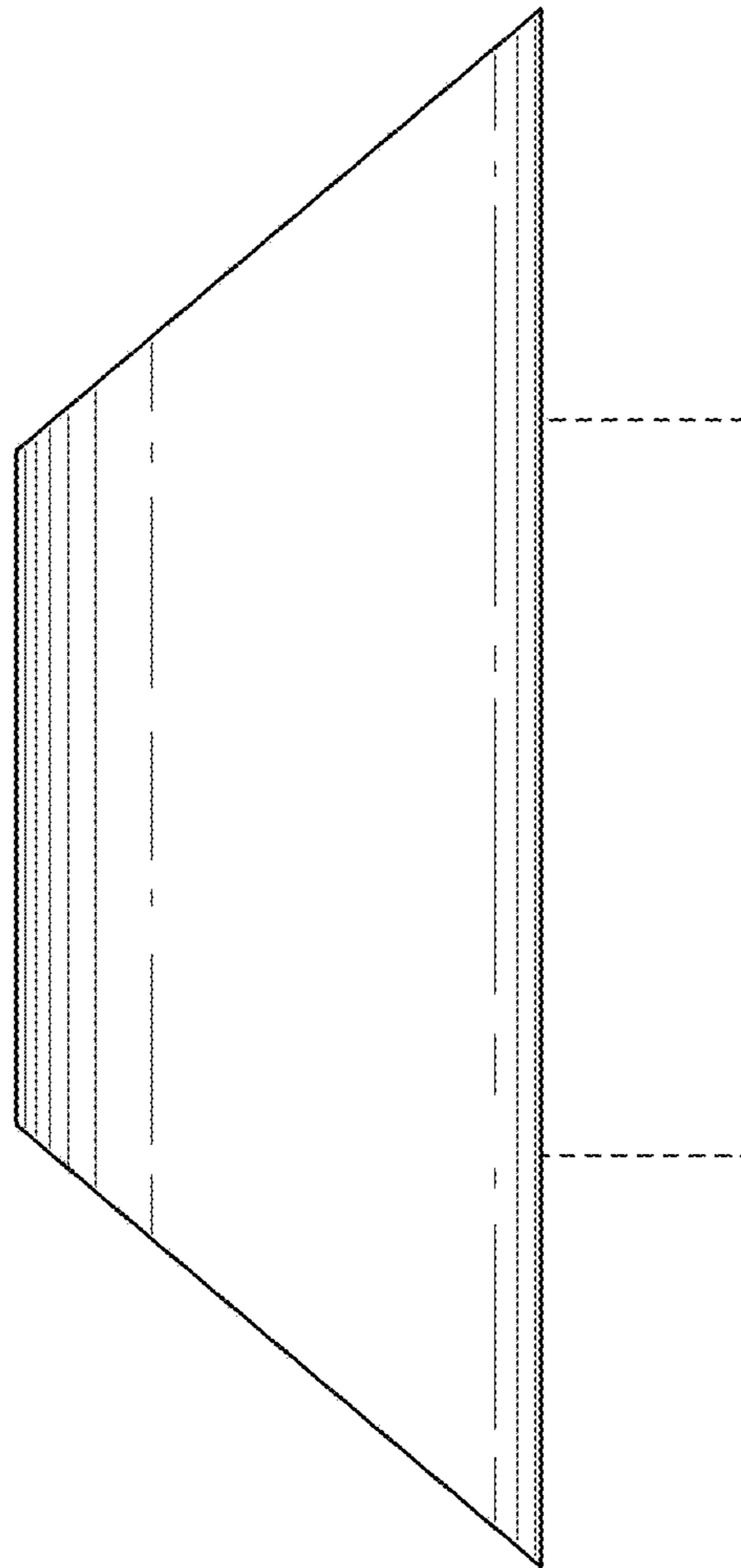


FIG. 5

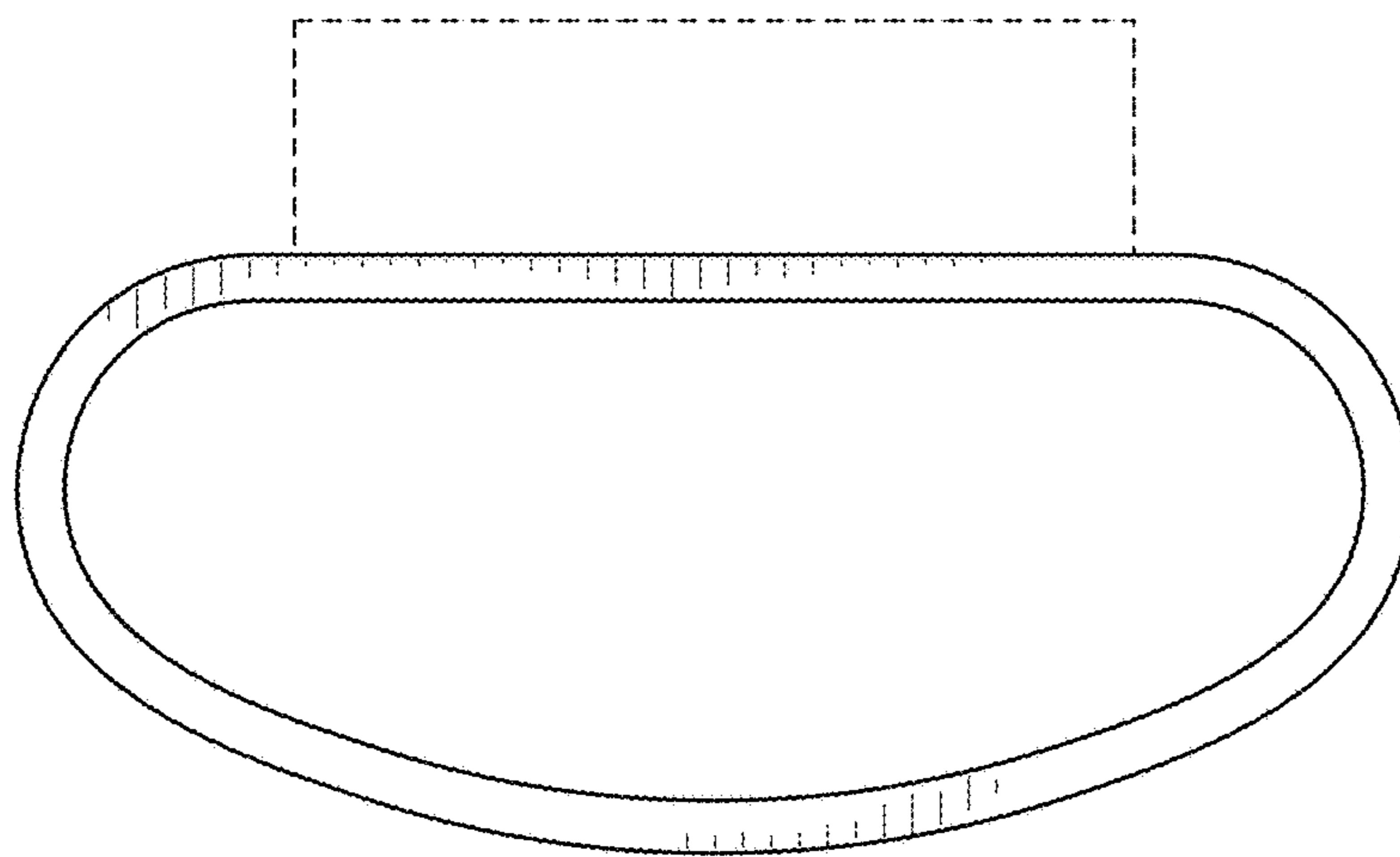


FIG. 6