



US00D819253S

(12) **United States Design Patent**
Hendifar et al.

(10) **Patent No.:** **US D819,253 S**

(45) **Date of Patent:** **** May 29, 2018**

(54) **LIGHT FIXTURE**

(71) Applicant: **APPARATUS, LLC**, New York, NY
(US)

(72) Inventors: **Gabriel Hendifar**, Rhinebeck, NY
(US); **Jeremy R. Anderson**, Rhinebeck,
NY (US)

(73) Assignee: **APPARATUS LLC**, New York, NY
(US)

(**) Term: **15 Years**

(21) Appl. No.: **29/598,331**

(22) Filed: **Mar. 24, 2017**

(51) **LOC (11) Cl.** **26-03**

(52) **U.S. Cl.**
USPC **D26/84**

(58) **Field of Classification Search**
USPC D26/72, 80-88, 90, 143, 144, 152,
D26/153, 155
CPC F21S 8/04; F21S 8/06; F21S 8/061; F21S
8/063; F21S 8/065
See application file for complete search history.

(56) **References Cited**

U.S. PATENT DOCUMENTS

D80,419 S *	1/1930	Kramer	D26/81
D90,017 S *	5/1933	Bush	D26/84
D317,058 S *	5/1991	Sonneman	D26/92
D320,465 S *	10/1991	Sonneman	D26/86
D373,002 S *	8/1996	Porter	D26/144
7,354,171 B2 *	4/2008	Pazula	F21V 21/02 362/135
9,175,835 B2 *	11/2015	Machiorlette	F21V 21/008
D773,101 S *	11/2016	Sonneman	D26/88

D789,590 S *	6/2017	Sonneman	D26/145
D794,863 S *	8/2017	Sonneman	D26/87
9,777,899 B2 *	10/2017	Sonneman	F21S 8/065

OTHER PUBLICATIONS

Lantern 2 pendant by Apparatus. Found at perspectivestudio.se visited Mar. 28, 2018. (Year: 2018).*

* cited by examiner

Primary Examiner — Clare E Heflin

(74) *Attorney, Agent, or Firm* — Gottlieb, Rackman & Reisman, P.C.

(57) **CLAIM**

The ornamental design for a light fixture, as shown and described.

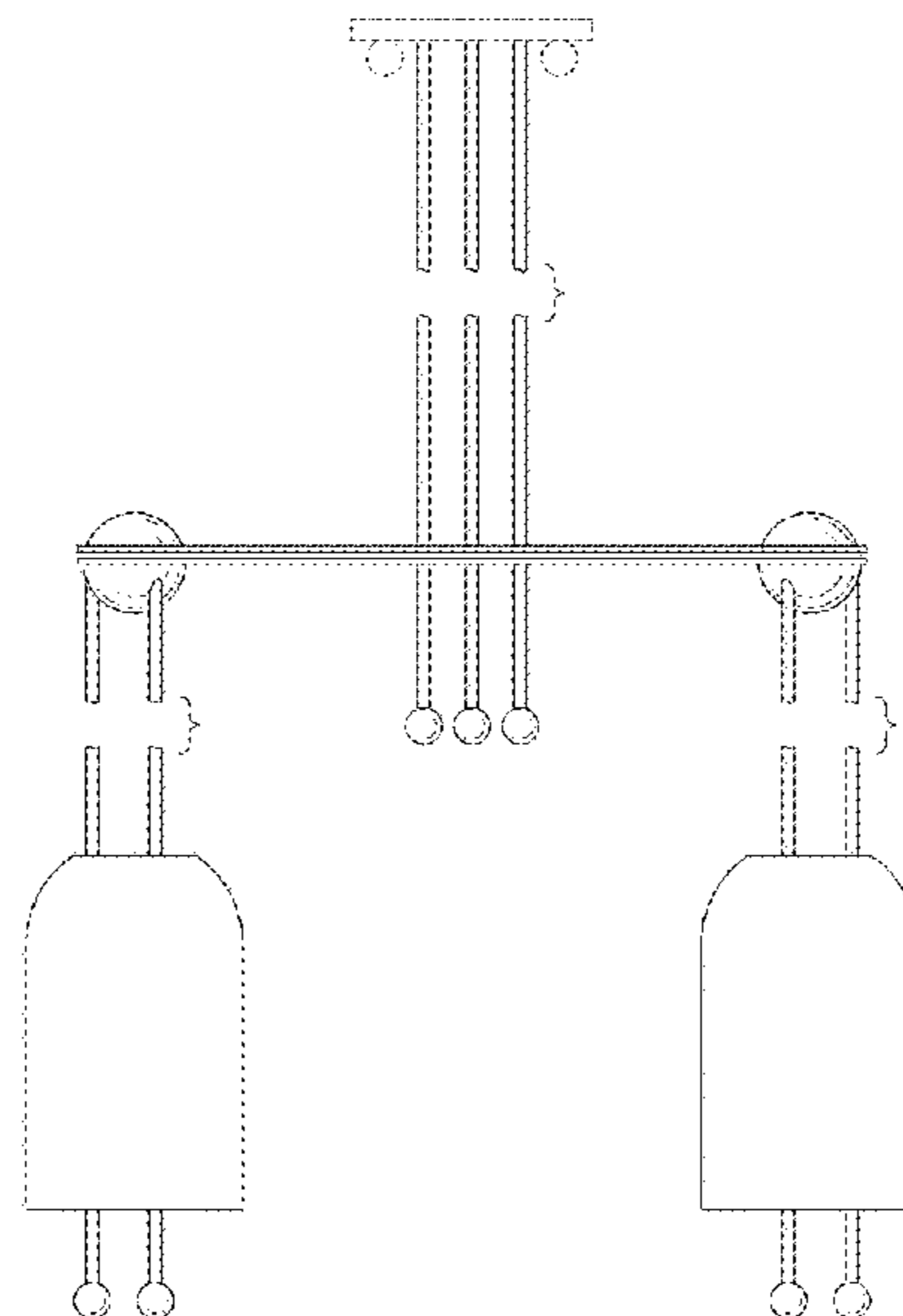
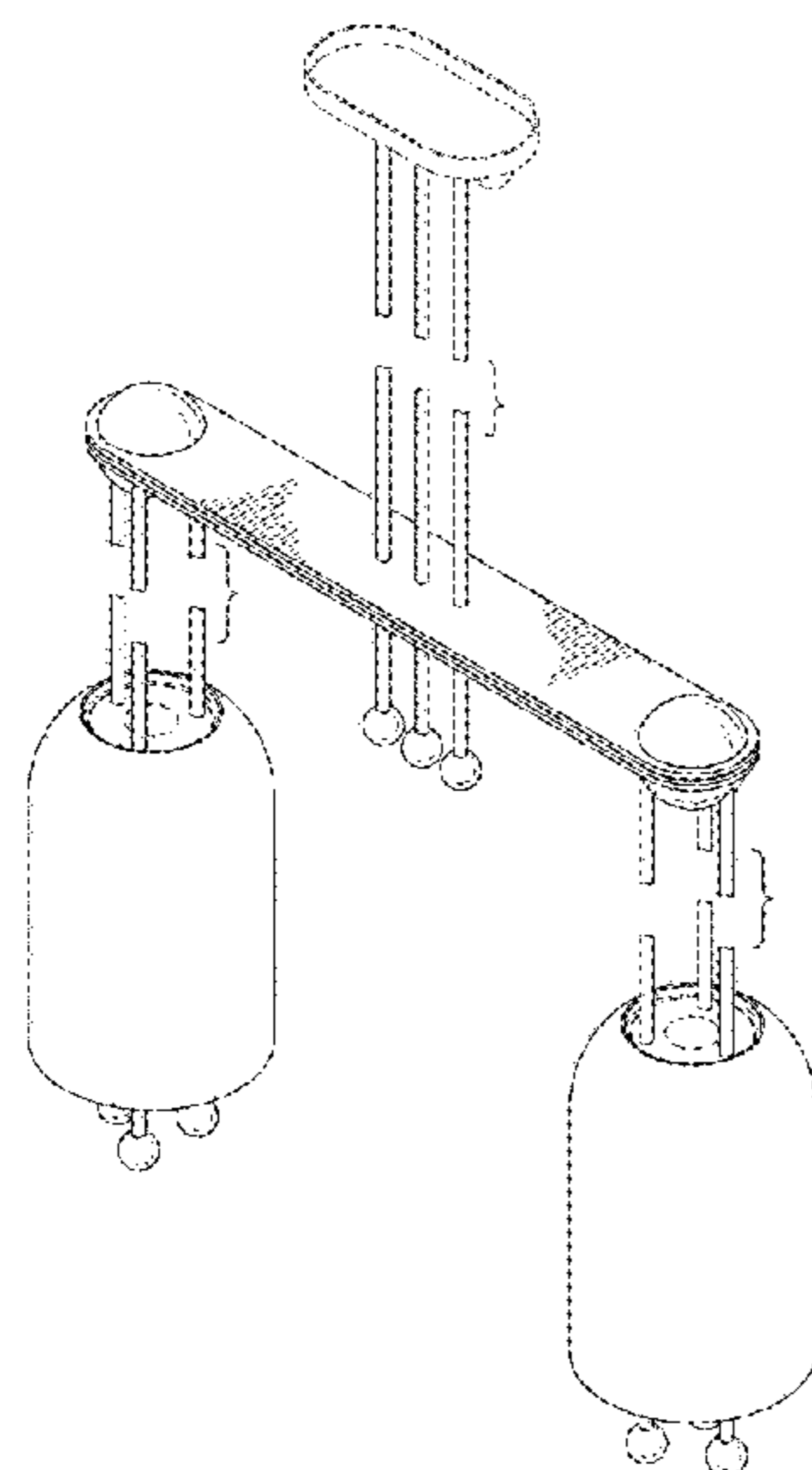
DESCRIPTION

FIG. 1 is a perspective view of the light fixture showing my new design;
FIG. 2 is a front side elevational view thereof, the rear side elevational view being a mirror image;
FIG. 3 a right side elevational view thereof, the left side elevational view being a mirror image;
FIG. 4 is a top plan view thereof; and,
FIG. 5 is a bottom plan view thereof.

The break lines shown in the drawings indicate that the appearance of any portion of the article between the break lines forms no part of the claimed design.

The broken lines shown in the drawings are included for the purpose of illustrating portions of the article that form no part of the claimed design as well.

1 Claim, 4 Drawing Sheets



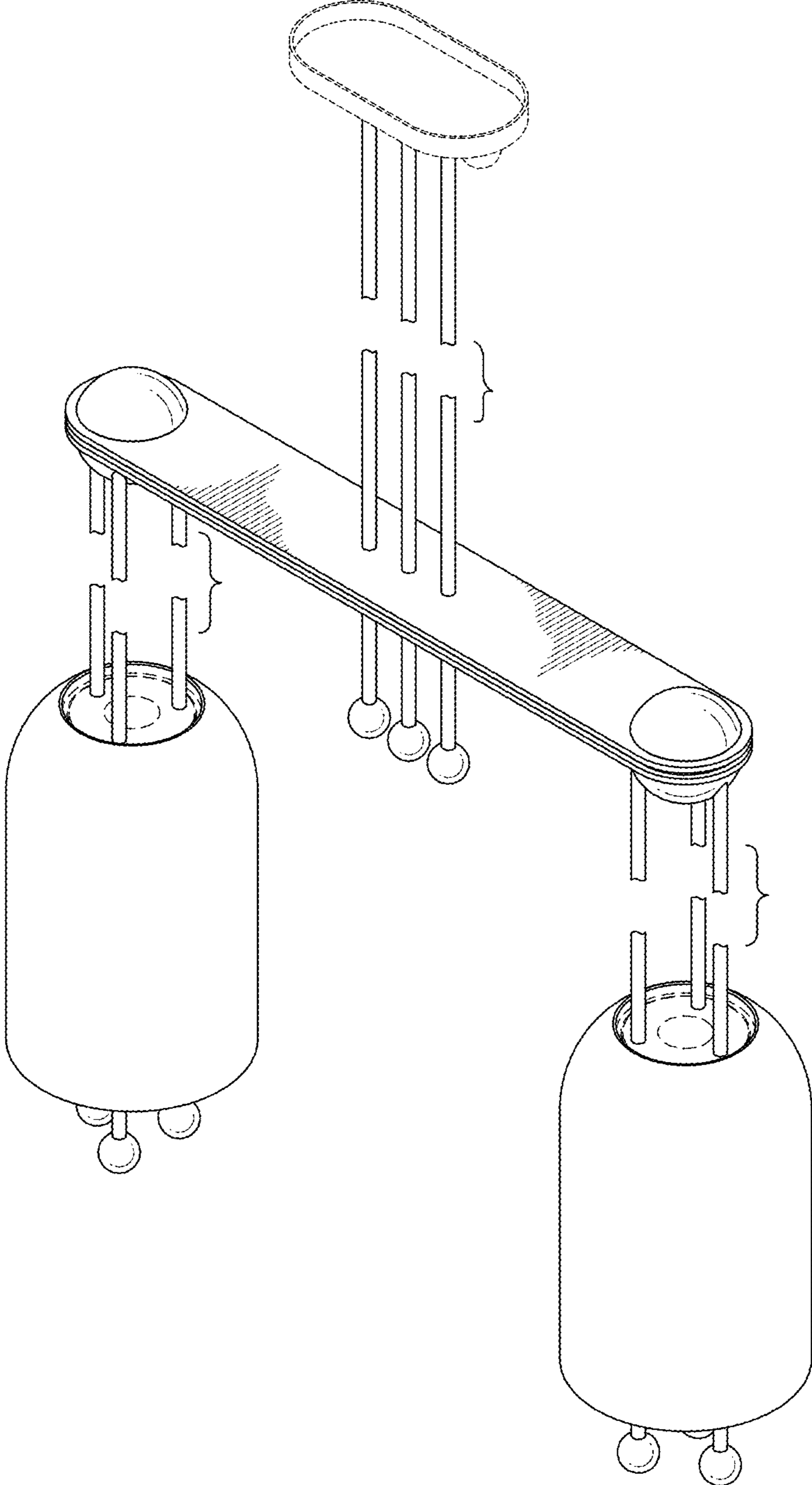


FIG. 1

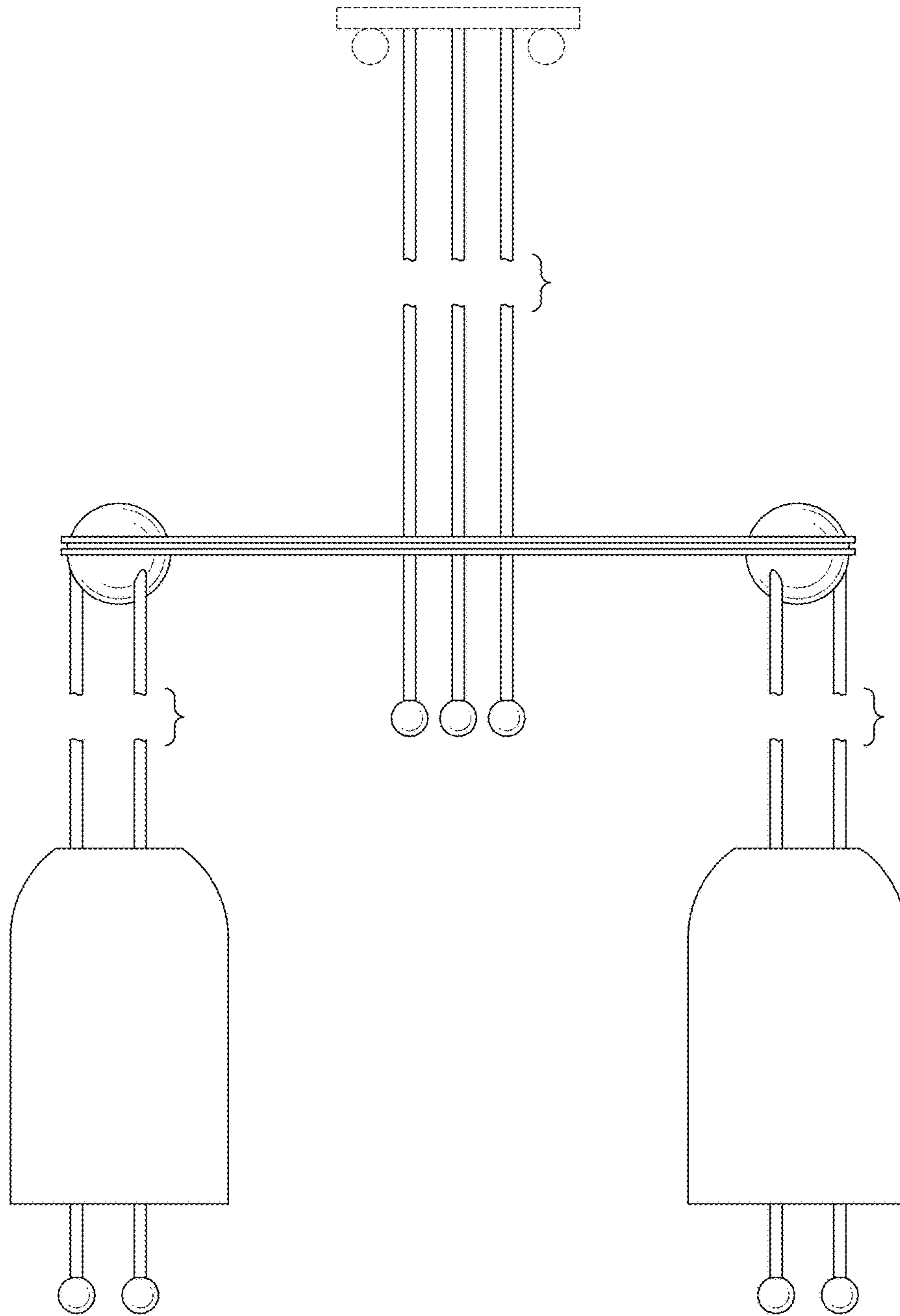


FIG. 2

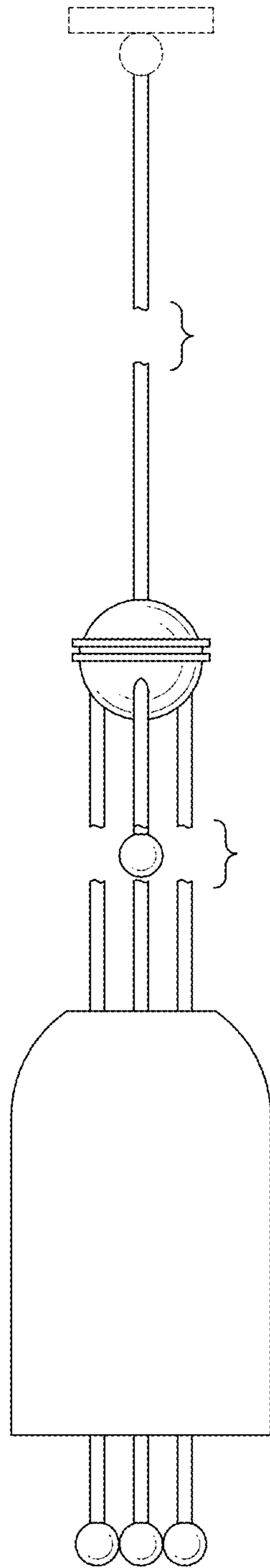


FIG. 3

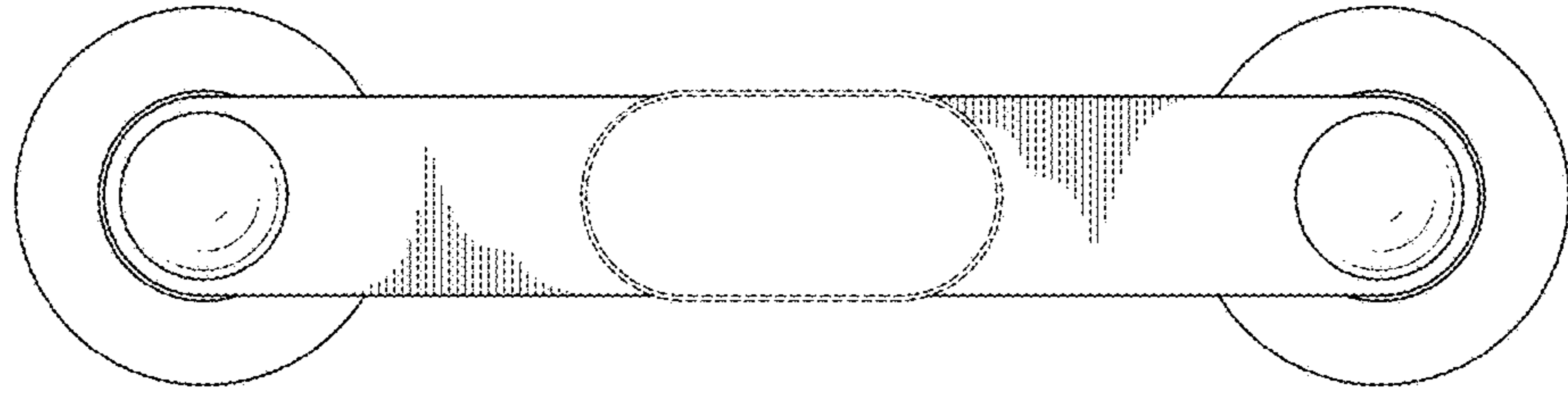


FIG. 4

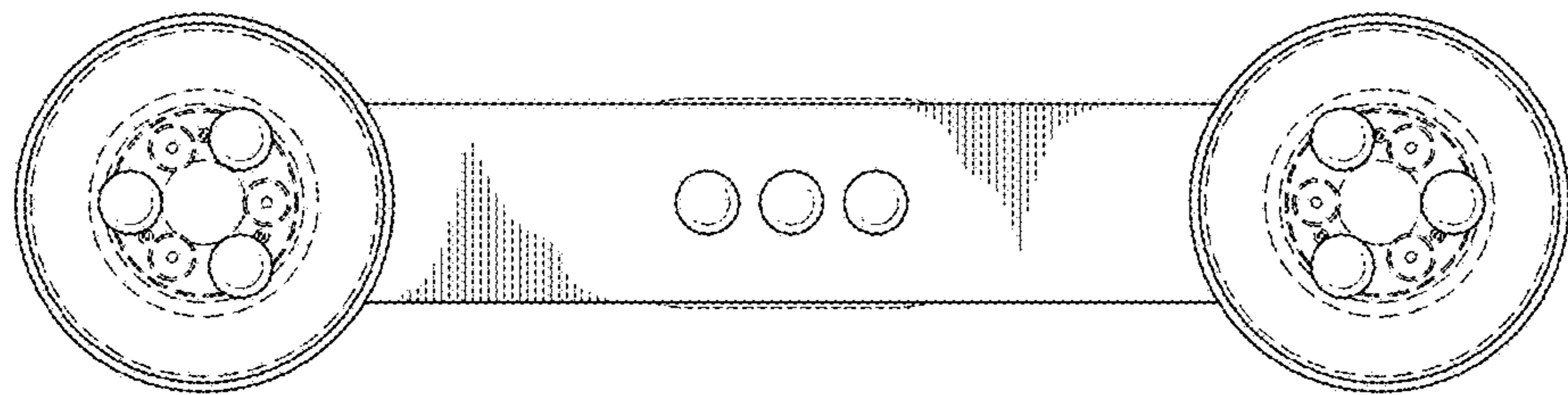


FIG. 5