



US00D819250S

(12) **United States Design Patent** (10) **Patent No.:** **US D819,250 S**
Ji (45) **Date of Patent:** **** May 29, 2018**

(54) **LIGHT FIXTURE**

(71) Applicant: **SHANGHAI DANGOO ELECTRONICS CO., LTD.**, Shanghai (CN)

(72) Inventor: **Jianhui Ji**, Shanghai (CN)

(73) Assignee: **SHANGHAI DANGOO ELECTRONICS CO., LTD.**, Shanghai (CN)

(**) Term: **15 Years**

(21) Appl. No.: **29/597,230**

(22) Filed: **Mar. 15, 2017**

(30) **Foreign Application Priority Data**

Sep. 22, 2016 (CN) 2016 3 0478634

(51) **LOC (11) Cl.** **26-04**

(52) **U.S. Cl.**
USPC **D26/76**

(58) **Field of Classification Search**

USPC D10/111-115; D13/134; D25/119, 126, D25/133, 135; D26/3, 37, 38, 39, 40, 42, D26/46, 48, 51, 54, 60, 61, 63, 64, 65, D26/66, 67, 71, 72, 74, 75, 78, 79, 80, D26/81, 82, 83, 85, 86, 88, 90, 91, 113, D26/118, 119, 120, 121, 122

CPC F21S 4/28; F21S 8/026; F21S 8/031; F21S 8/036; F21S 8/043; F21V 21/04; F21V 29/74; F21V 29/75; F21V 29/83

See application file for complete search history.

(56) **References Cited**

U.S. PATENT DOCUMENTS

D606,229 S * 12/2009 Johansen D26/76
D642,725 S * 8/2011 Kong D26/76

D647,241 S * 10/2011 Takahashi D26/72
D663,065 S * 7/2012 Beghelli D26/76
D695,443 S * 12/2013 Kaule D26/76
D709,636 S * 7/2014 Murata D26/72
D712,081 S * 8/2014 Murata D26/72
D794,240 S * 8/2017 Hartman D26/76
D796,103 S * 8/2017 Blankenship D26/74
D796,104 S * 8/2017 Blankenship D26/74
D800,942 S * 10/2017 Poyrah D26/72
D801,552 S * 10/2017 Boehl D25/126

* cited by examiner

Primary Examiner — John Windmuller

Assistant Examiner — Benjamin M Weeks

(74) *Attorney, Agent, or Firm* — Levenfeld Pearlstein, LLC

(57) **CLAIM**

The ornamental design for a light fixture, as shown and described.

DESCRIPTION

FIG. 1 is a front, top, left side perspective view of a light fixture showing the claimed design;

FIG. 2 is a side, bottom perspective view shown in an alternative position;

FIG. 3 is a front view thereof, the rear view being a mirror image thereof;

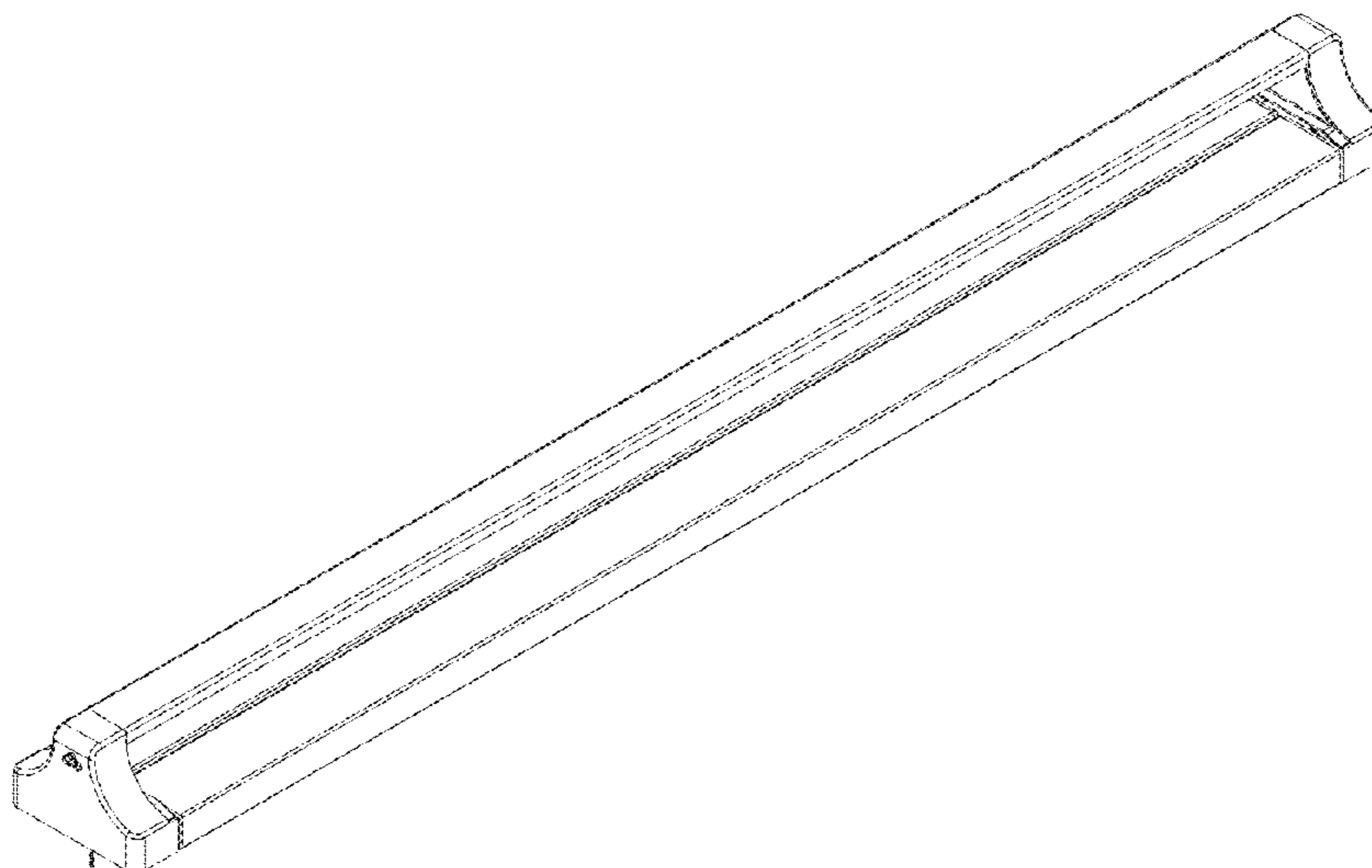
FIG. 4 is a side view thereof, as seen from the left-hand side of FIG. 1;

FIG. 5 is a side view thereof, as seen from the right-hand side of FIG. 1;

FIG. 6 is a top view thereof; and,

FIG. 7 is a bottom view thereof.

1 Claim, 2 Drawing Sheets



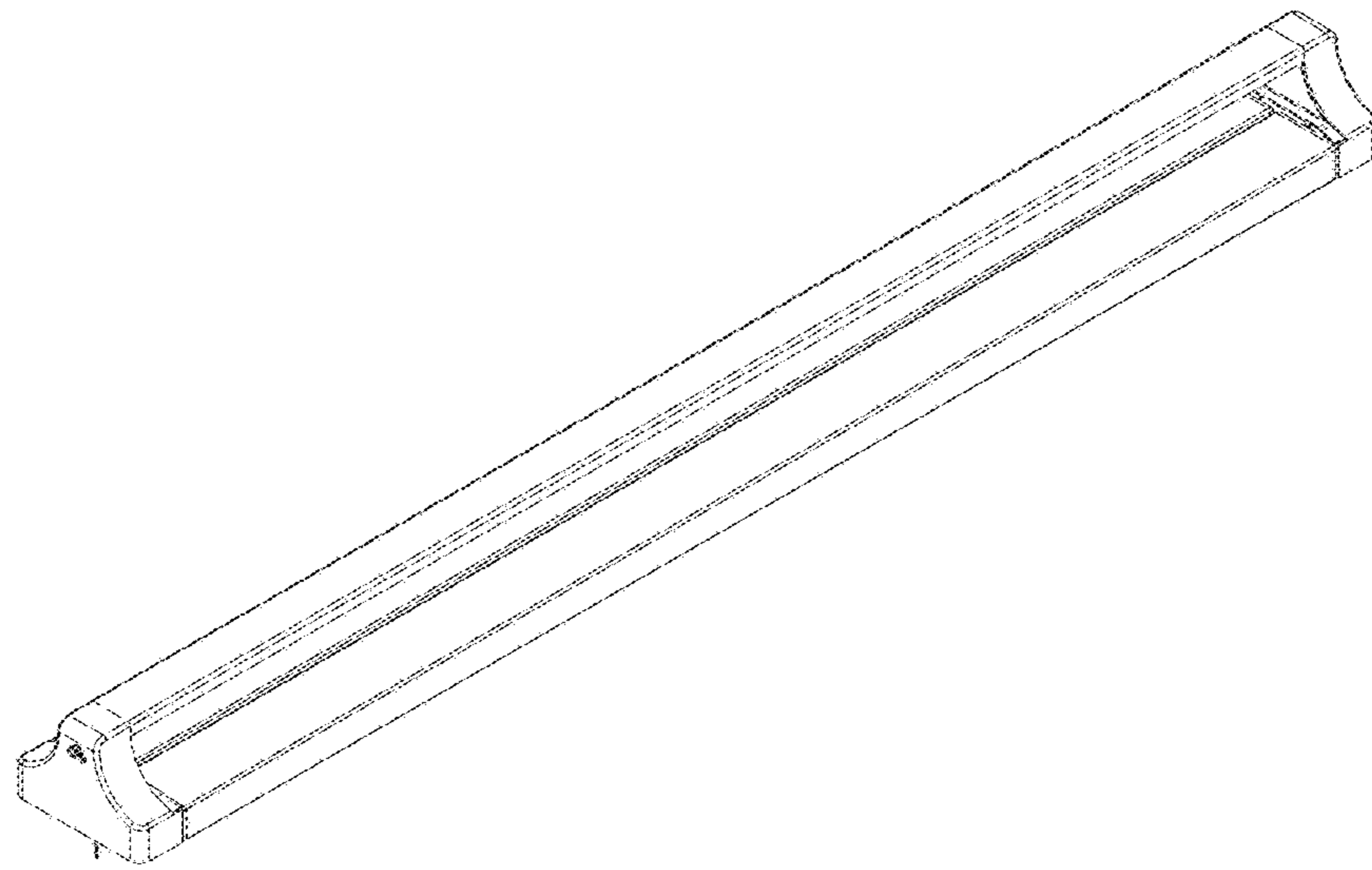


FIG. 1

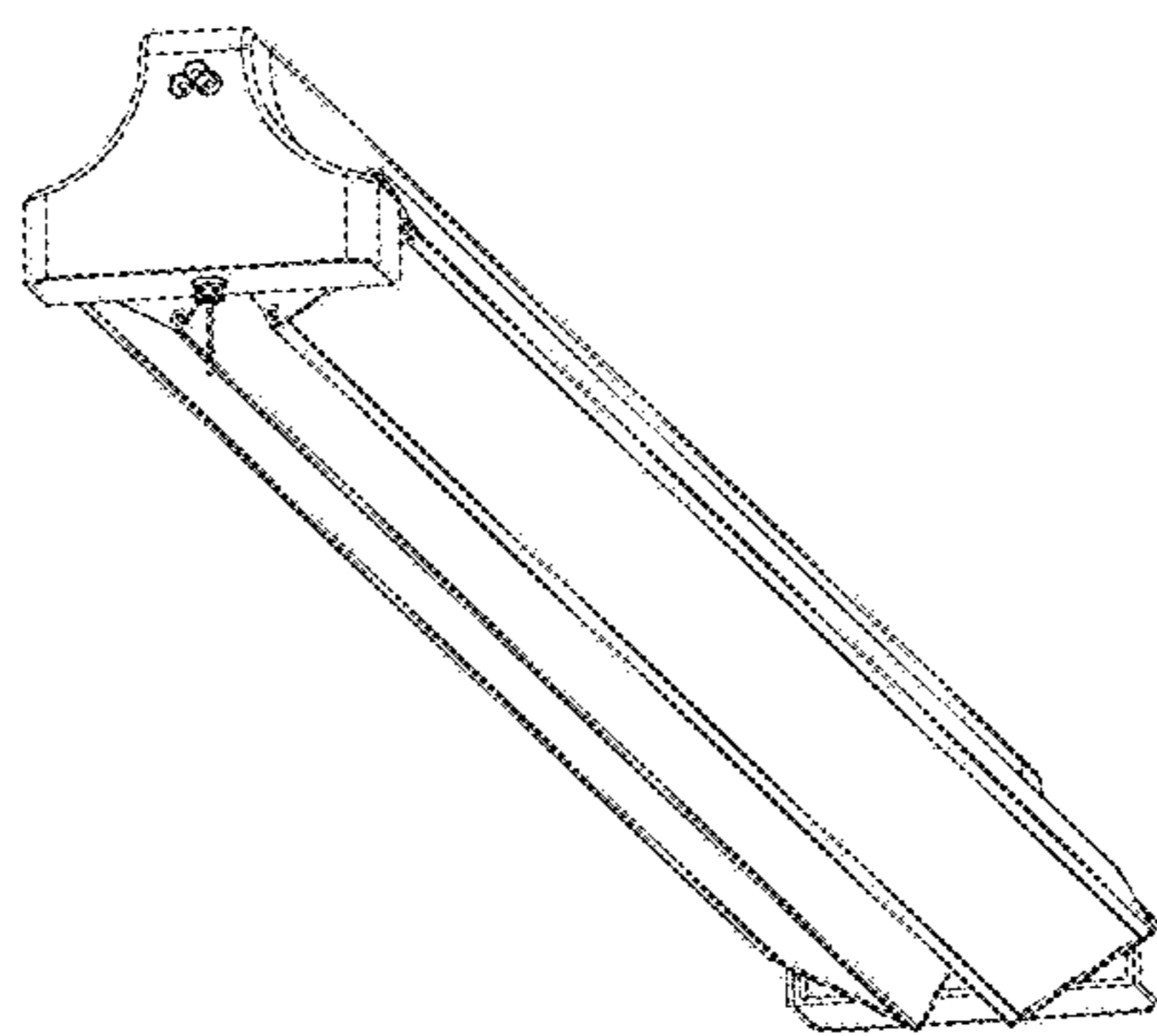


FIG. 2

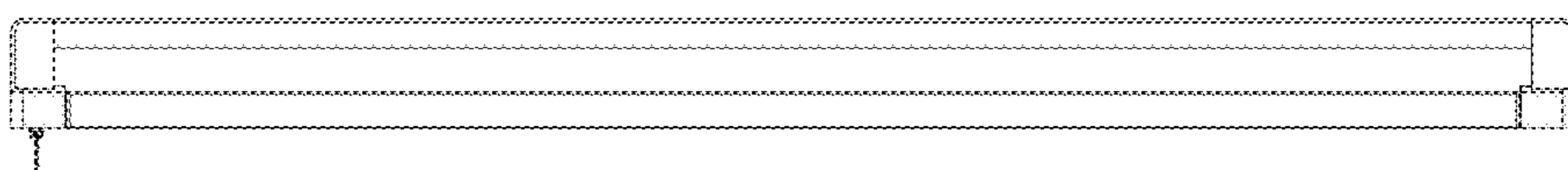


FIG. 3

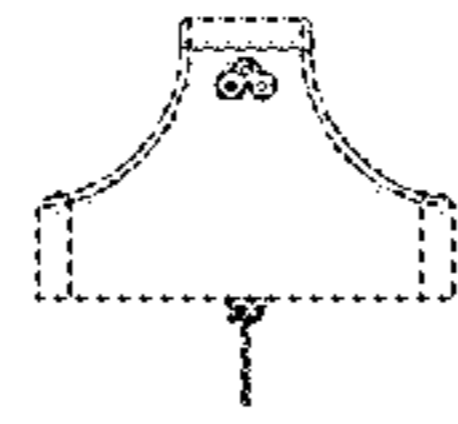


FIG. 4

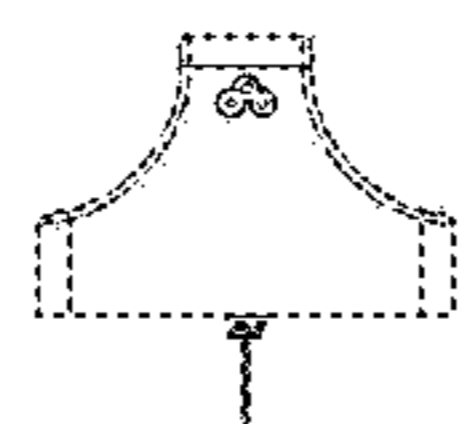


FIG. 5

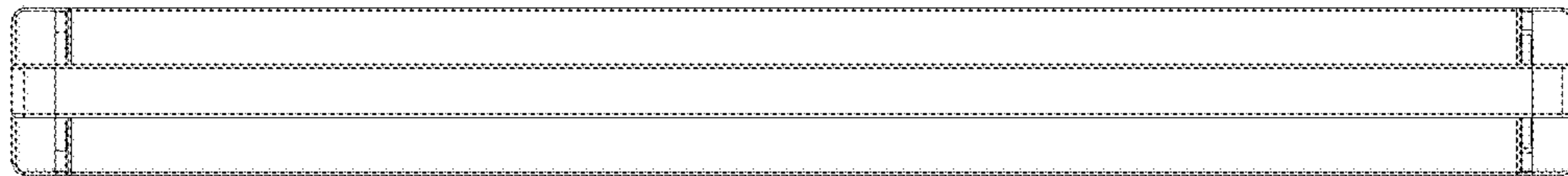


FIG. 6

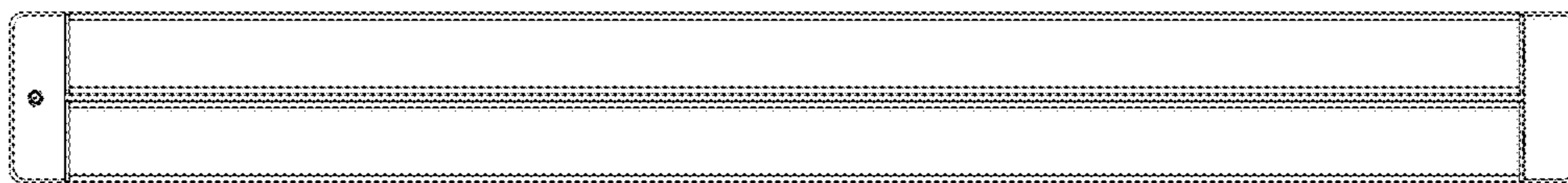


FIG. 7