



US00D819246S

(12) **United States Design Patent** (10) **Patent No.:** **US D819,246 S**  
**Liu et al.** (45) **Date of Patent:** **\*\* May 29, 2018**

(54) **ROAD LIGHTING LUMINAIRE**

(56) **References Cited**

(71) Applicant: **PHILIPS LIGHTING HOLDING B.V.**, Eindhoven (NL)  
(72) Inventors: **Leo Liu**, Shanghai (CN); **Lisa Mao**, Shanghai (CN); **Rui Li**, Shanghai (CN); **Allan Wang**, Shanghai (CN); **Johnson Zhang**, Shanghai (CN)  
(73) Assignee: **PHILIPS LIGHTING HOLDING B.V.**, Eindhoven (NL)

U.S. PATENT DOCUMENTS

D376,219 S \* 12/1996 Heuel ..... D26/62  
D607,593 S \* 1/2010 Yoo ..... D26/71  
D645,604 S \* 9/2011 Kauffman ..... D26/118  
D718,483 S \* 11/2014 Meredith ..... D26/71  
D770,659 S \* 11/2016 Zhu ..... D26/71  
D773,096 S \* 11/2016 Zhu ..... D26/71  
D776,305 S \* 1/2017 Barnetson ..... D26/1  
D783,875 S \* 4/2017 Kaoh ..... D26/71

\* cited by examiner

*Primary Examiner* — Zenia Bennett

(\*\*) Term: **15 Years**

(21) Appl. No.: **35/501,177**

(22) Filed: **Jun. 13, 2016**

(80) **Hague Agreement Data**

Int. Filing Date: **Jun. 13, 2016**  
Int. Reg. No.: **DM/091235**  
Int. Reg. Date: **Jun. 13, 2016**  
Int. Reg. Pub. Date: **Jul. 8, 2016**

(30) **Foreign Application Priority Data**

Jan. 15, 2016 (EM) ..... 002946434-0002

(51) **LOC (11) Cl.** ..... **26-05**

(52) **U.S. Cl.**  
USPC ..... **D26/71**

(58) **Field of Classification Search**  
USPC ..... D26/63, 71, 92  
CPC . F21S 8/033; F21S 8/085; F21S 8/086; F21V 21/30; F21W 2111/02

See application file for complete search history.

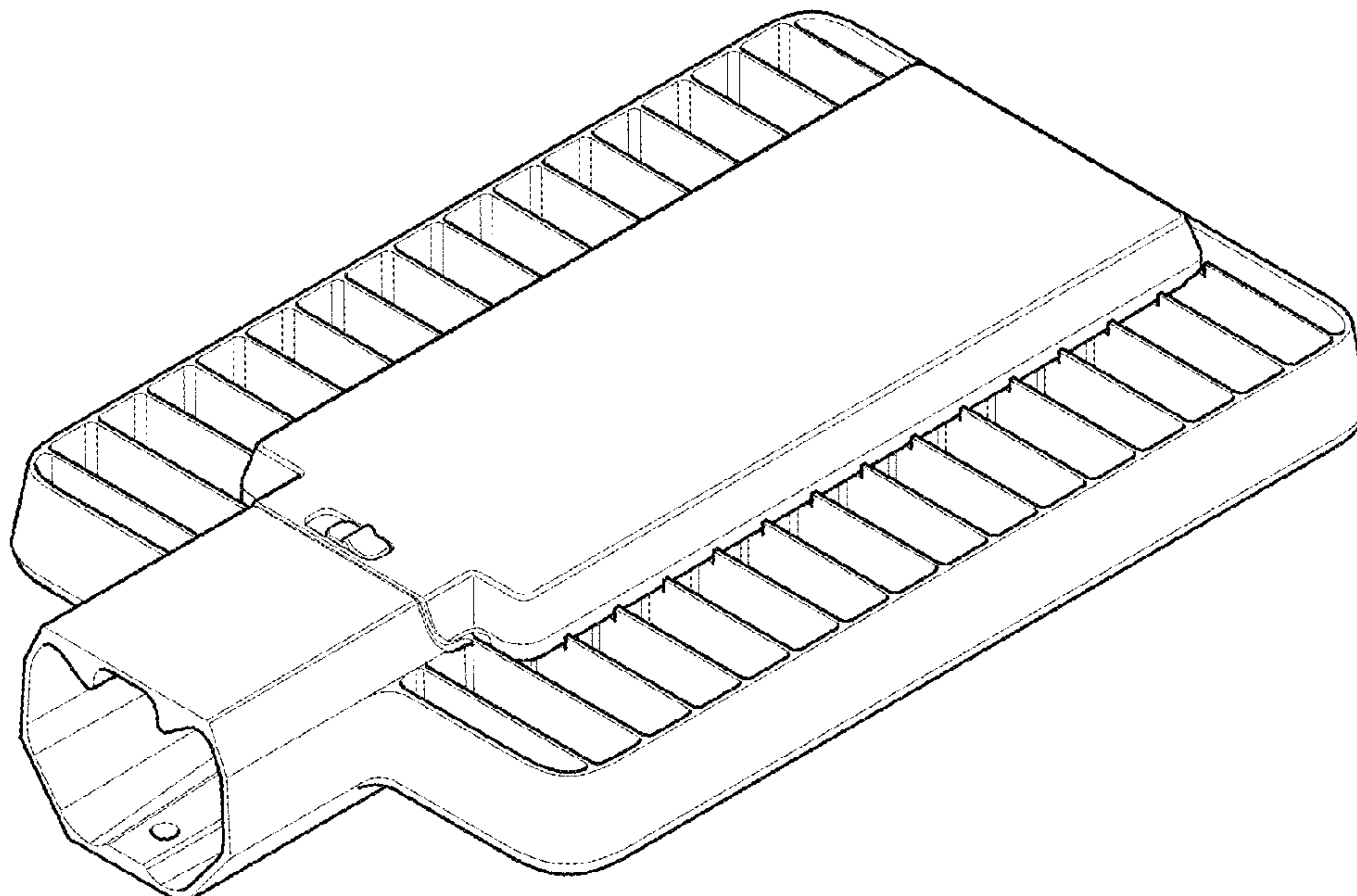
(57) **CLAIM**

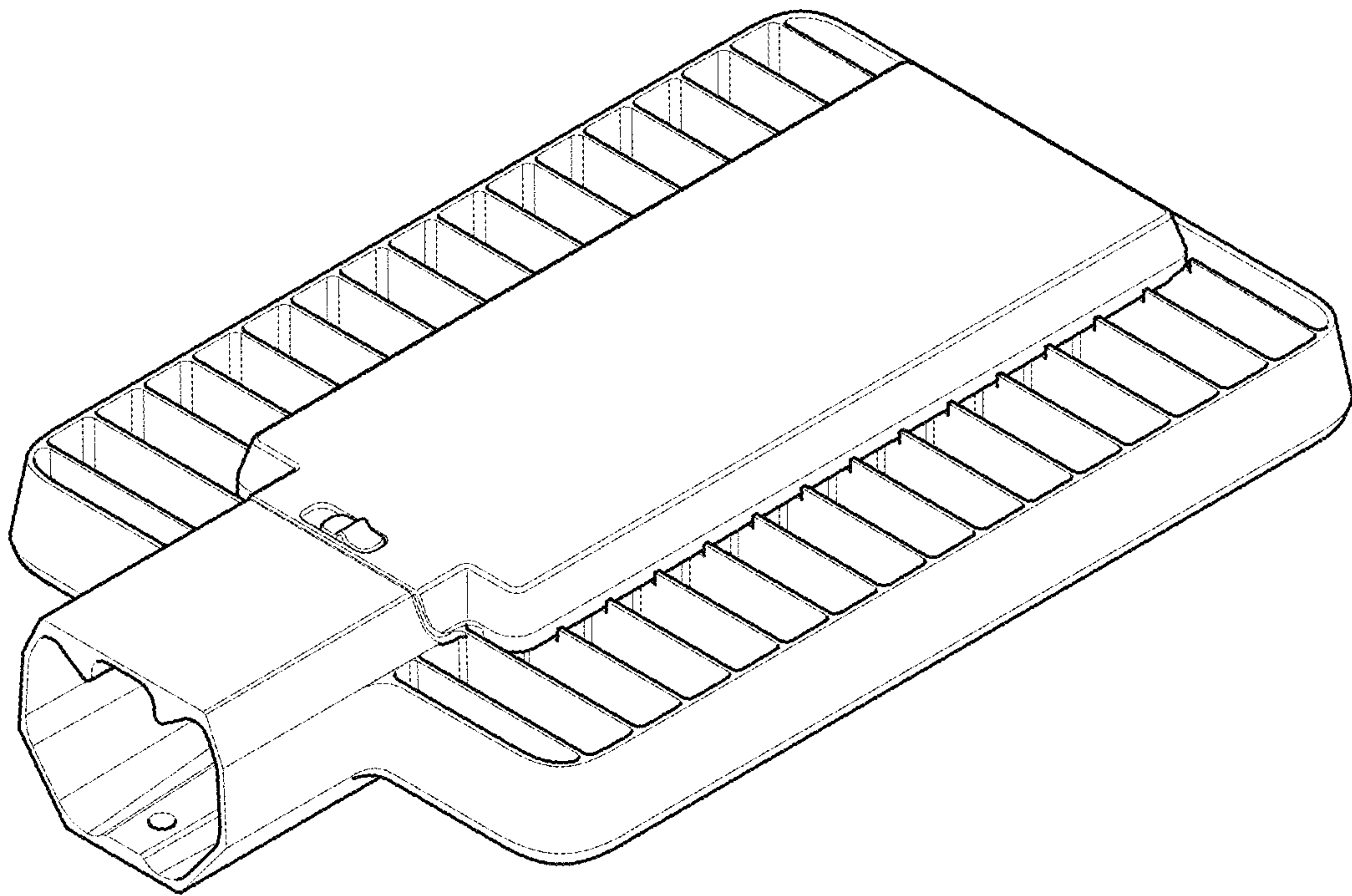
The ornamental design for road lighting luminaire, as shown and described.

**DESCRIPTION**

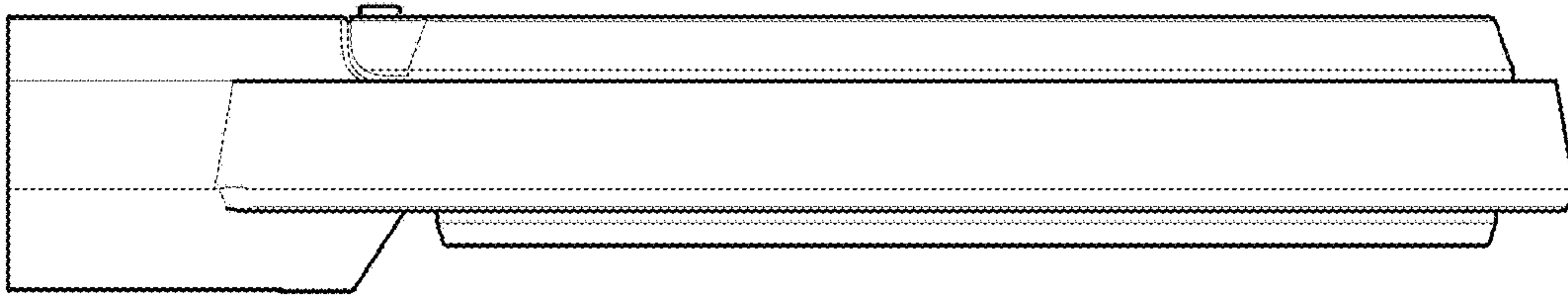
**1.1** is a perspective view showing of a road lighting luminaire showing our new design;  
**1.2** is a left side elevational view thereof;  
**1.3** is a right elevational view thereof;  
**1.4** is a back side elevational view thereof;  
**1.5** is a front side elevational view thereof;  
**1.6** is a top plan view thereof;  
**1.7** is a bottom plan view thereof.  
The dash-dot-dash broken lines shown represent the bounds of the claim and forms no part thereof and the dashed broken lines shown therein illustrate portions of the luminaire that form no part of the claimed design.

**1 Claim, 4 Drawing Sheets**

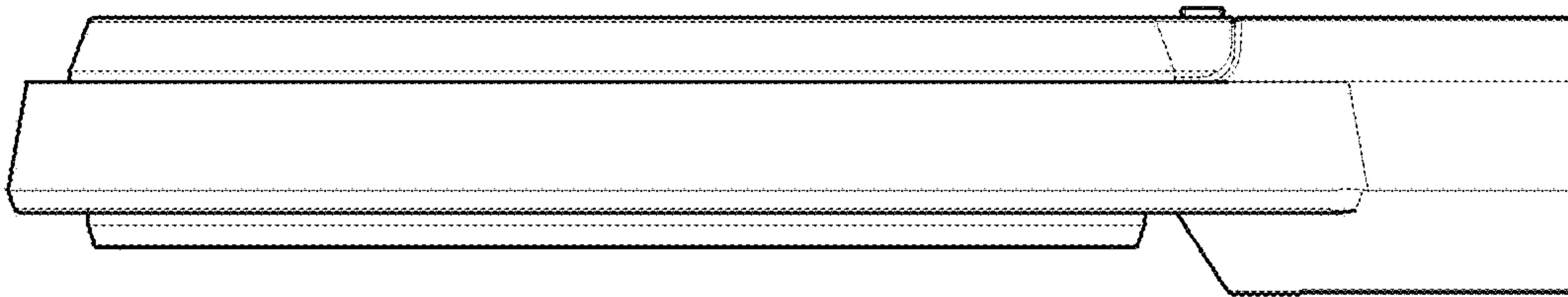




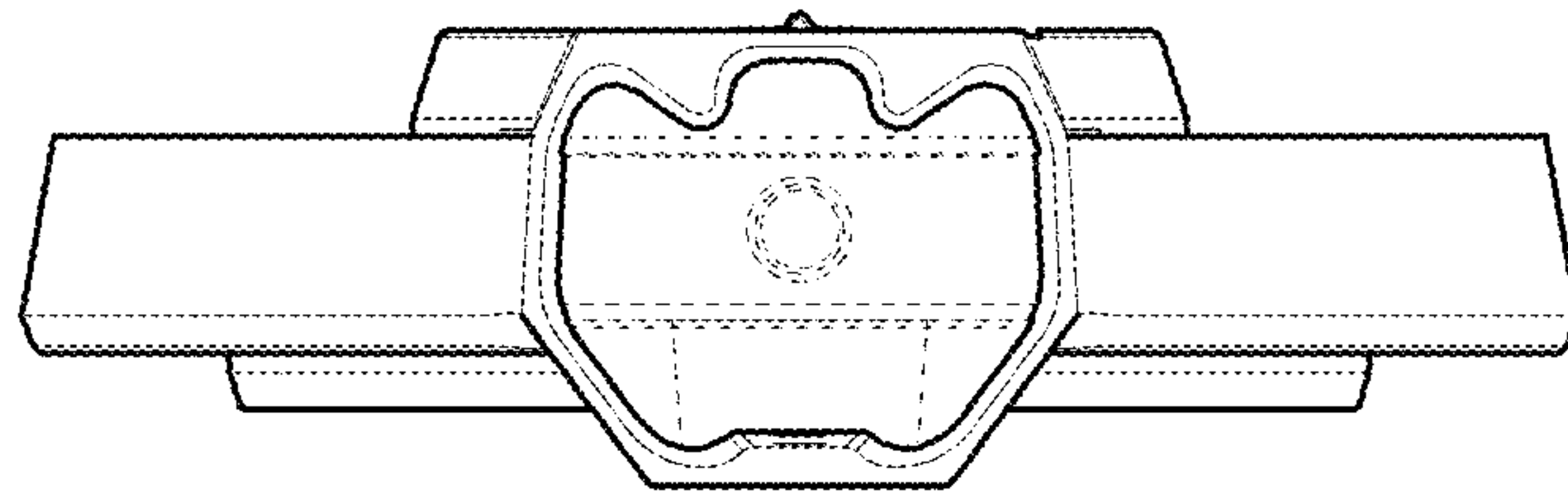
1.1



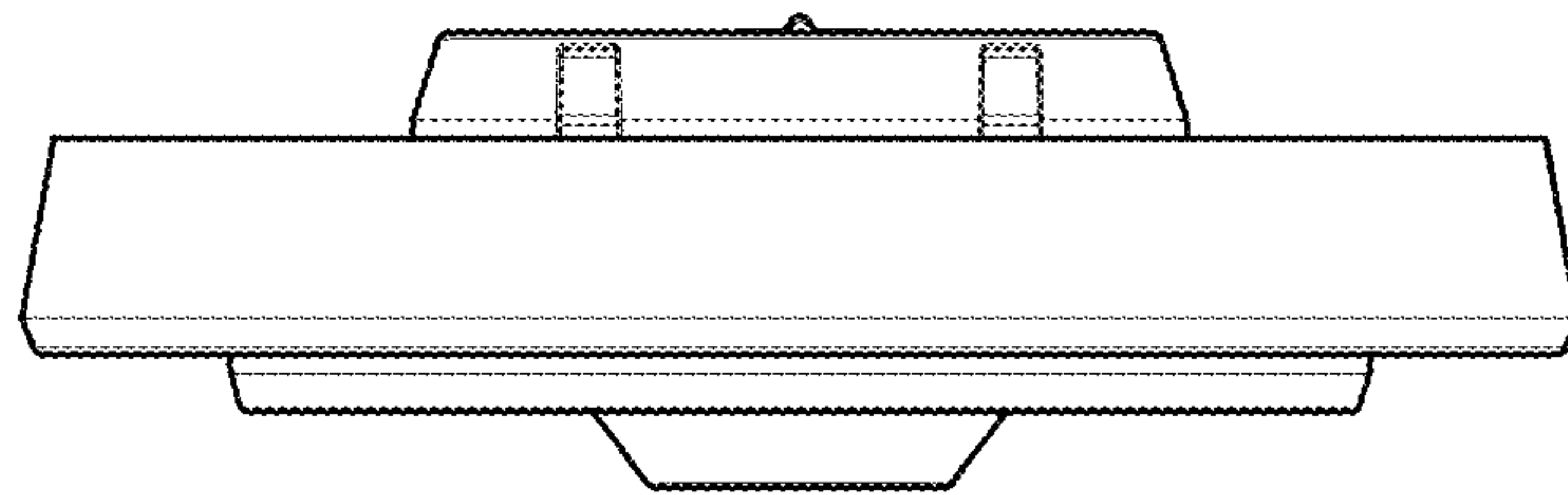
1.2



1.3

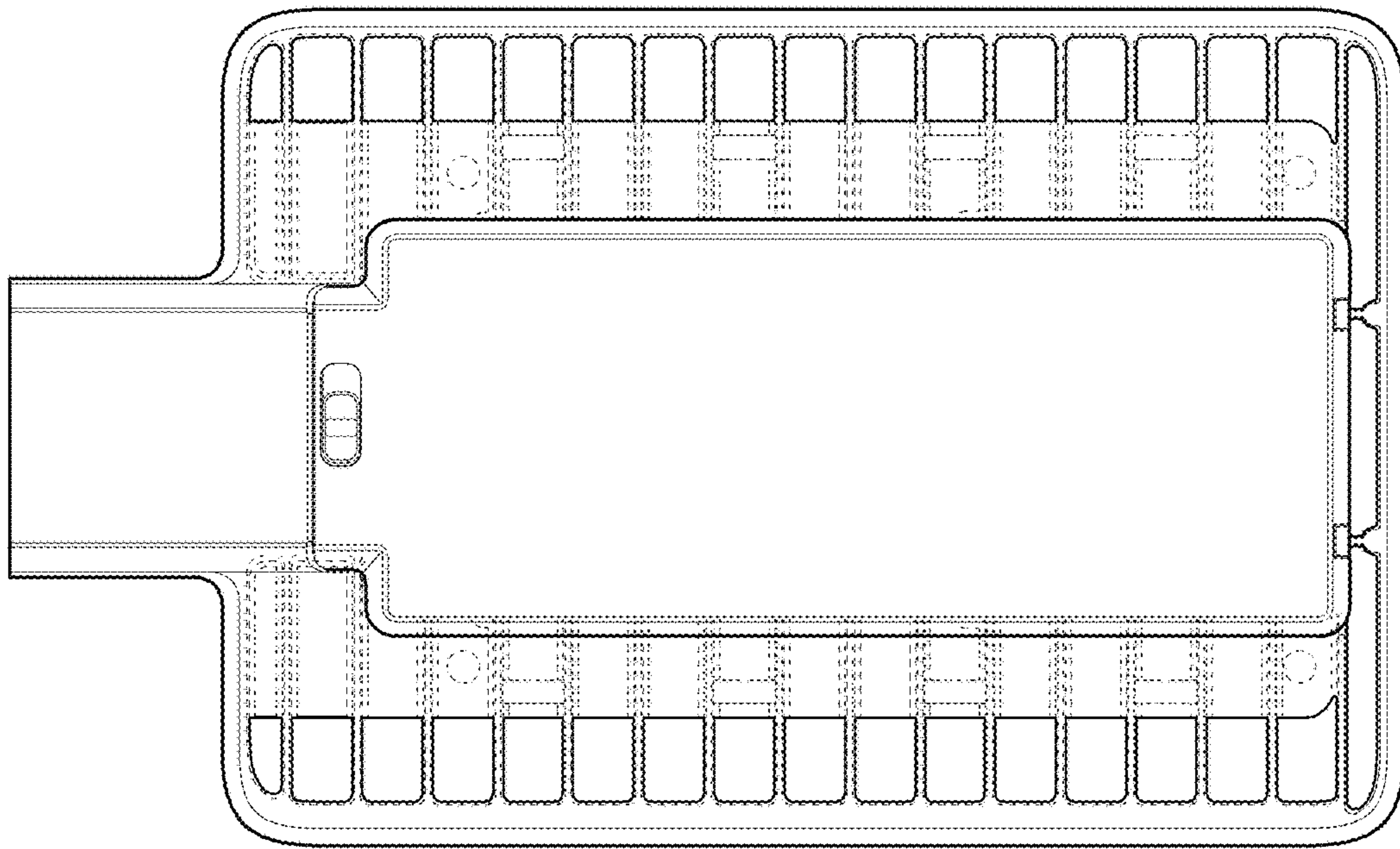


1.4

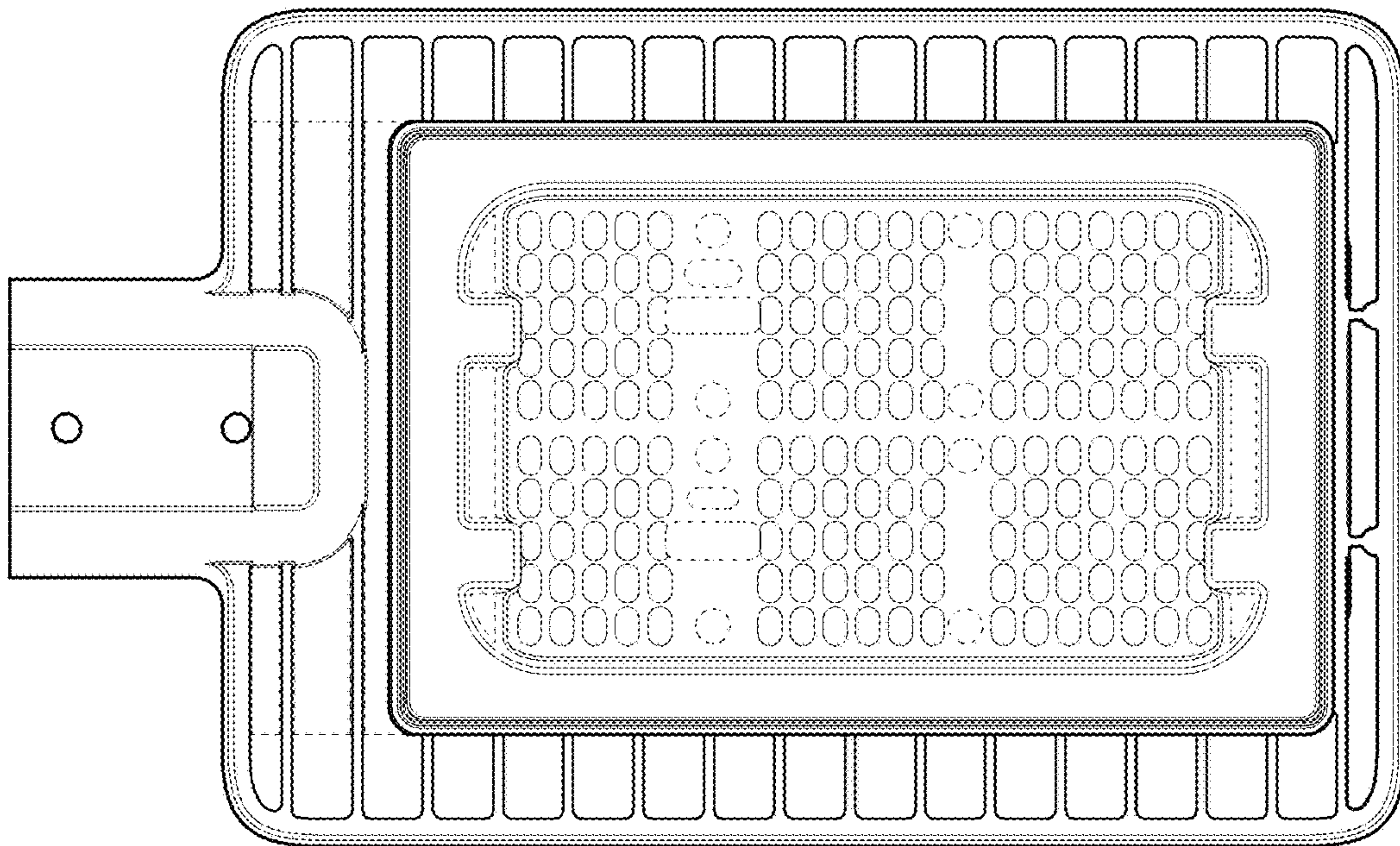


1.5





1.6



1.7