



US00D819245S

(12) **United States Design Patent**
Garza

(10) **Patent No.:** **US D819,245 S**
(45) **Date of Patent:** **** May 29, 2018**

(54) **NIGHTLIGHT WITH JOINT**

(71) Applicant: **David M. Garza**, San Antonio, TX
(US)

(72) Inventor: **David M. Garza**, San Antonio, TX
(US)

(73) Assignee: **Penguin Lites, LLC**, San Antonio, TX
(US)

(**) Term: **15 Years**

(21) Appl. No.: **29/540,151**

(22) Filed: **Sep. 21, 2015**

(51) **LOC (11) Cl.** **D26-02**

(52) **U.S. Cl.**
USPC **D26/44; D26/26; D26/65**

(58) **Field of Classification Search**
USPC **D26/37, 38, 44, 26, 51, 65**

(Continued)

(56) **References Cited**

U.S. PATENT DOCUMENTS

D290,884 S * 7/1987 Sano D26/65
D321,865 S * 11/1991 Derocher D14/345

(Continued)

Primary Examiner — Karen E Kearney

Assistant Examiner — Carissa C Fitts

(74) *Attorney, Agent, or Firm* — Polsinelli PC; Adam C. Rehm

(57) **CLAIM**

The ornamental design for a nightlight with joint, as shown and described.

DESCRIPTION

FIG. 1 is a perspective view of a nightlight with joint showing a new design;

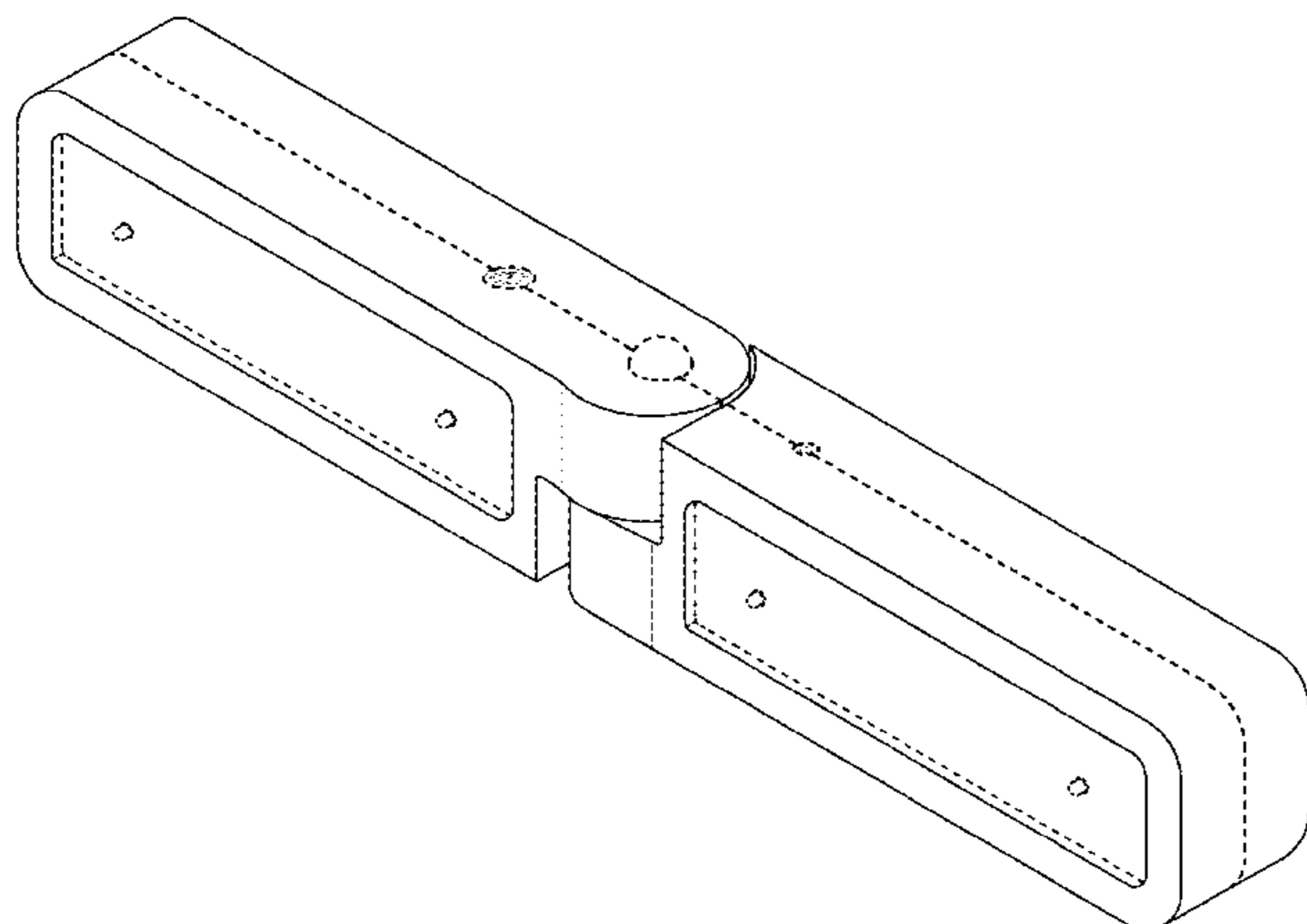


FIG. 2 is a front elevation view of the nightlight with joint shown in FIG. 1;

FIG. 3 is a rear elevation view of the nightlight with joint shown in FIG. 1;

FIG. 4 is a top plan view of the nightlight with joint shown in FIG. 1;

FIG. 5 is a bottom plan view of the nightlight with joint shown in FIG. 1;

FIG. 6 is a right side elevation view of the nightlight with joint shown in FIG. 1, the left side elevation view being a mirror image of FIG. 6;

FIG. 7 is a perspective view of a nightlight with joint showing another embodiment of the new design;

FIG. 8 is a front elevation view of the nightlight with joint shown in FIG. 7;

FIG. 9 is a rear elevation view of the nightlight with joint shown in FIG. 7;

FIG. 10 is a top plan view of the nightlight with joint shown in FIG. 7;

FIG. 11 is a bottom plan view of the nightlight with joint shown in FIG. 7;

FIG. 12 is a right side elevation view of the nightlight with joint shown in FIG. 7, the left side elevation view being a mirror image of FIG. 12;

FIG. 13 is a perspective view of a nightlight with joint showing another embodiment of the new design;

FIG. 14 is a front elevation view of the nightlight with joint shown in FIG. 13;

FIG. 15 is a rear elevation view of the nightlight with joint shown in FIG. 13;

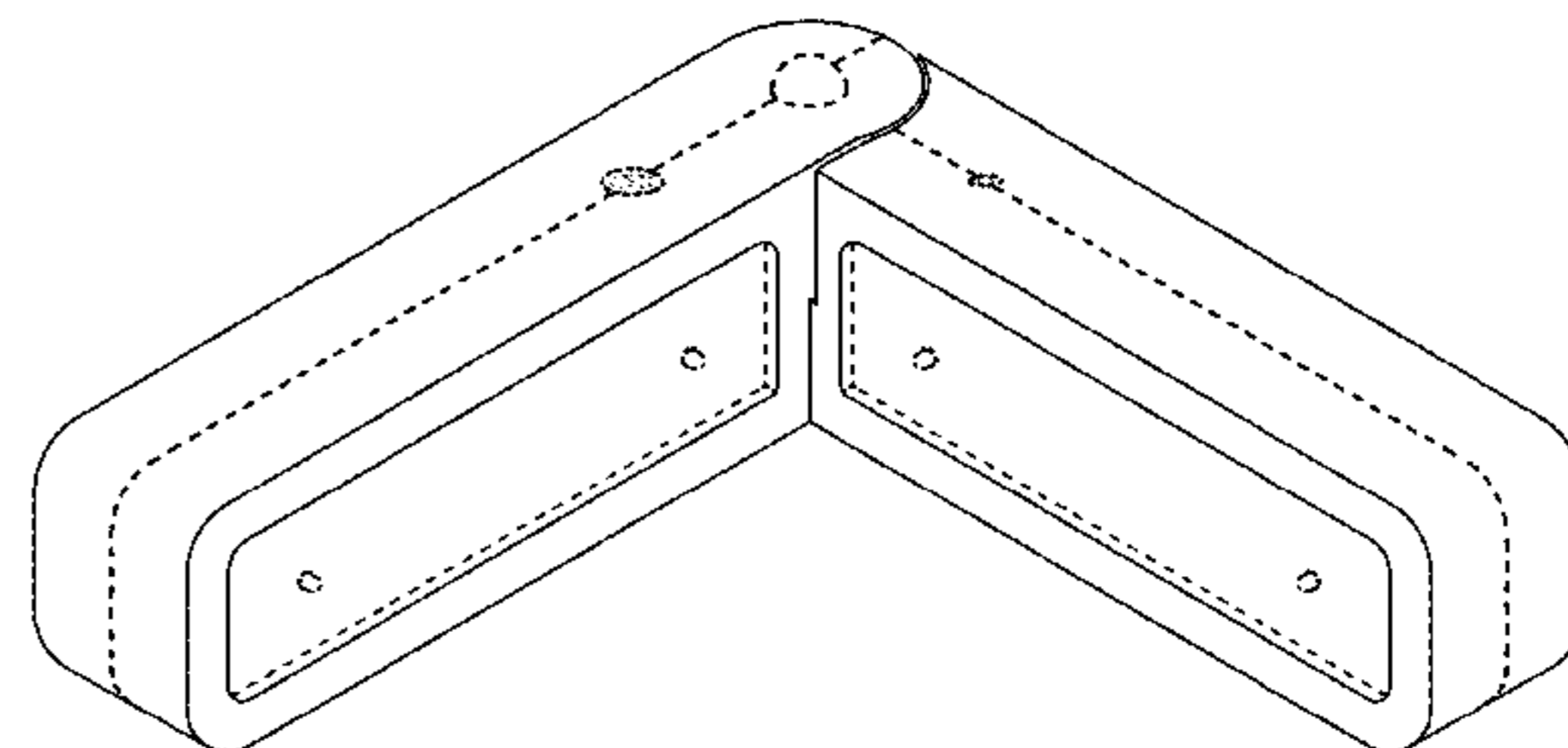
FIG. 16 is a top plan view of the nightlight with joint shown in FIG. 13;

FIG. 17 is a bottom plan view of the nightlight with joint shown in FIG. 13; and,

FIG. 18 is a right side elevation view of the nightlight with joint shown in FIG. 13, the left side elevation view being a mirror image of FIG. 18.

The broken lines show portions of the nightlight with joint which are not claimed and form no part of the claimed design.

1 Claim, 18 Drawing Sheets



(58) **Field of Classification Search**

CPC F21L 2003/00; F21L 4/00; F21L 4/005;
F21L 4/02; F21L 4/025; F21L 4/027;
F21L 4/04; F21L 4/08; F21L 2005/00;
F21L 7/00; F21L 11/00; F21L 13/00;
F21L 13/04; F21L 13/08; F21L 14/02;
F21L 17/00; F21L 19/00

See application file for complete search history.

(56) **References Cited**

U.S. PATENT DOCUMENTS

D327,334	S	*	6/1992	Parker	D26/65
D332,839	S	*	1/1993	Beckner, Jr.	D26/37
D343,469	S	*	1/1994	Yuen	D26/46
D477,432	S	*	7/2003	Parsons	D26/37
D526,734	S	*	8/2006	Brown	D26/39
D527,129	S	*	8/2006	Hodgson	D26/42
D590,532	S	*	4/2009	Levine	D26/60
D604,435	S	*	11/2009	Kingston	D26/37
D604,871	S	*	11/2009	Denton	D26/24
D614,334	S	*	4/2010	Thomson	D26/38
D615,681	S	*	5/2010	Thomson	D26/63
D618,831	S	*	6/2010	Pennington	D26/26
D630,355	S	*	1/2011	Gulker	D26/37
D645,179	S	*	9/2011	Gulker	D26/37
D656,646	S	*	3/2012	Kawase	D26/44
D656,647	S	*	3/2012	Hodgson	D26/44
D695,434	S	*	12/2013	Shen	D26/41
D703,356	S	*	4/2014	Grandadam	D26/44
D703,357	S	*	4/2014	Grandadam	D26/44
D743,594	S	*	11/2015	Scazziga	D26/37
D766,477	S	*	9/2016	Ma	D26/37
D791,379	S	*	7/2017	Koshiba	D26/37

* cited by examiner

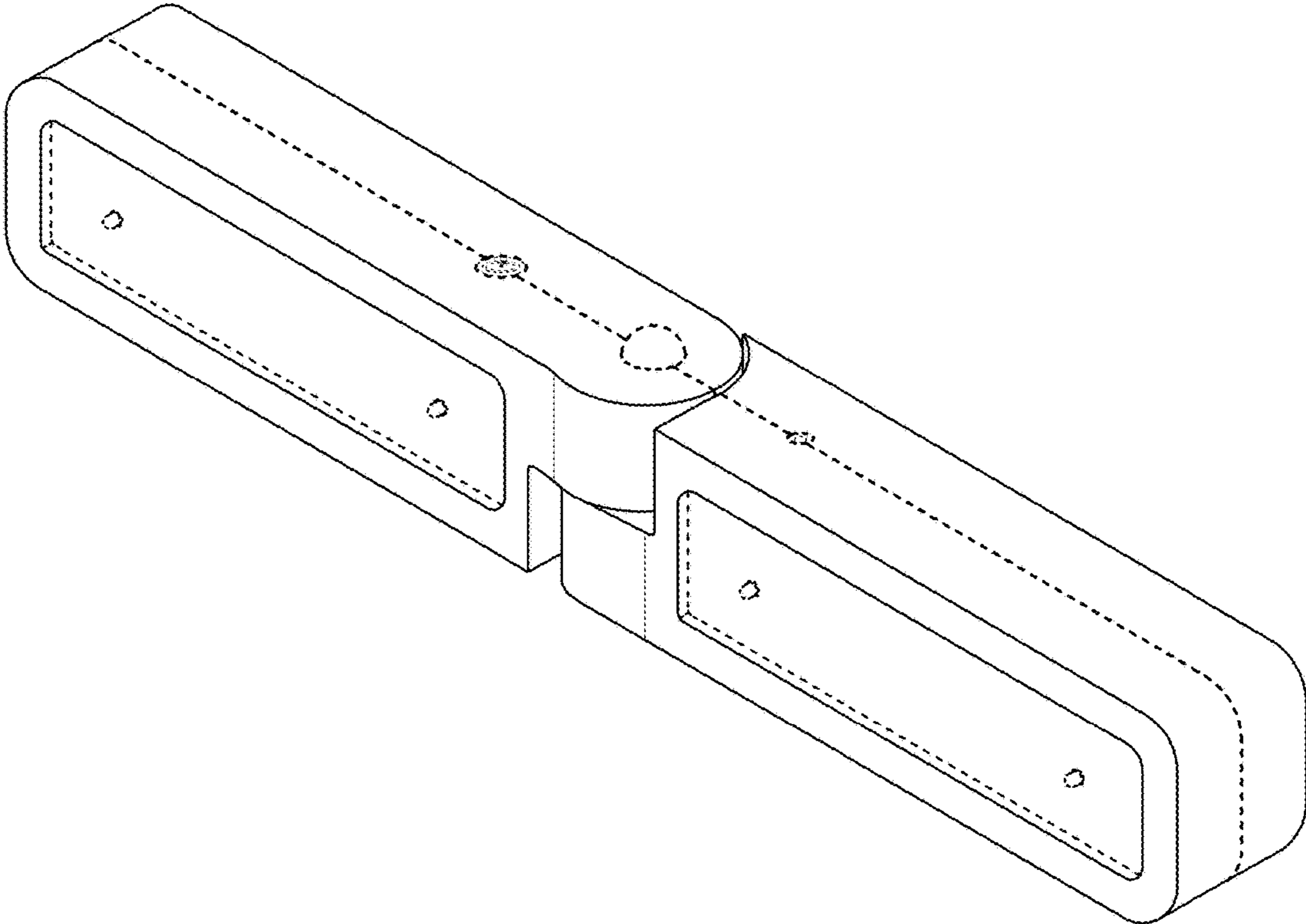


FIG. 1

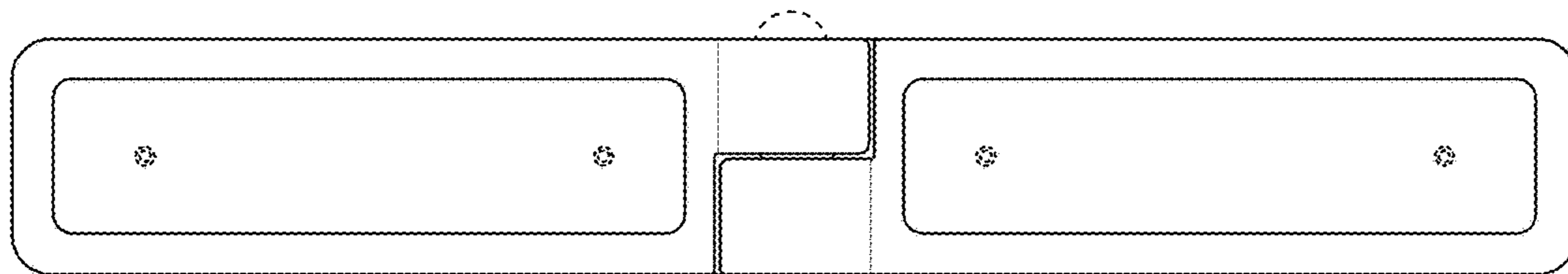


FIG. 2

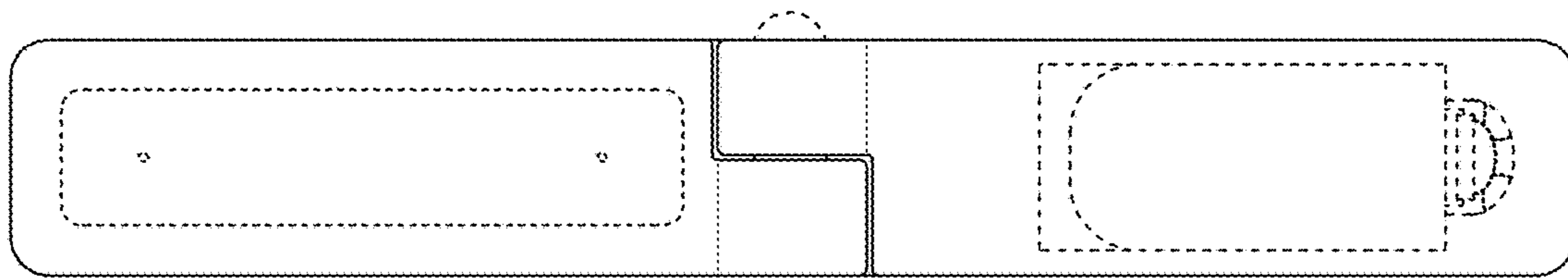


FIG. 3

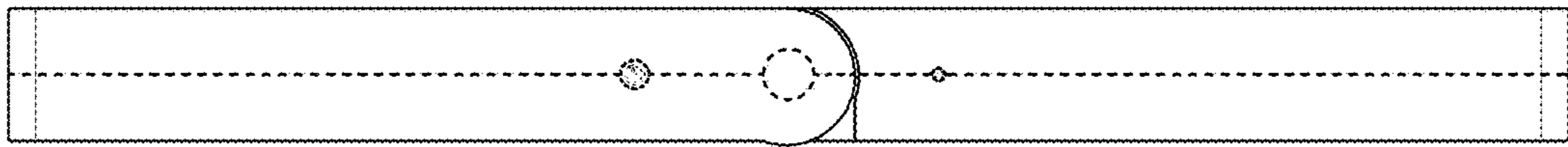


FIG. 4

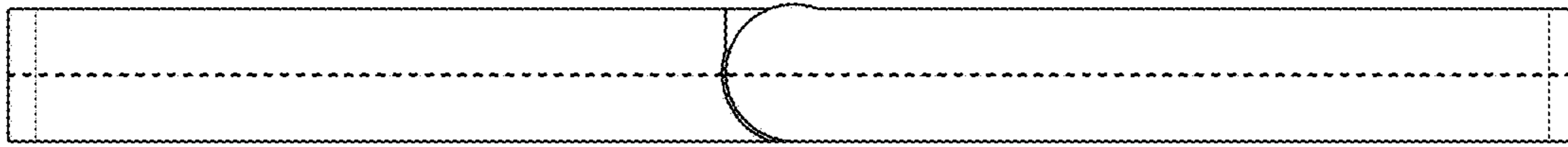


FIG. 5

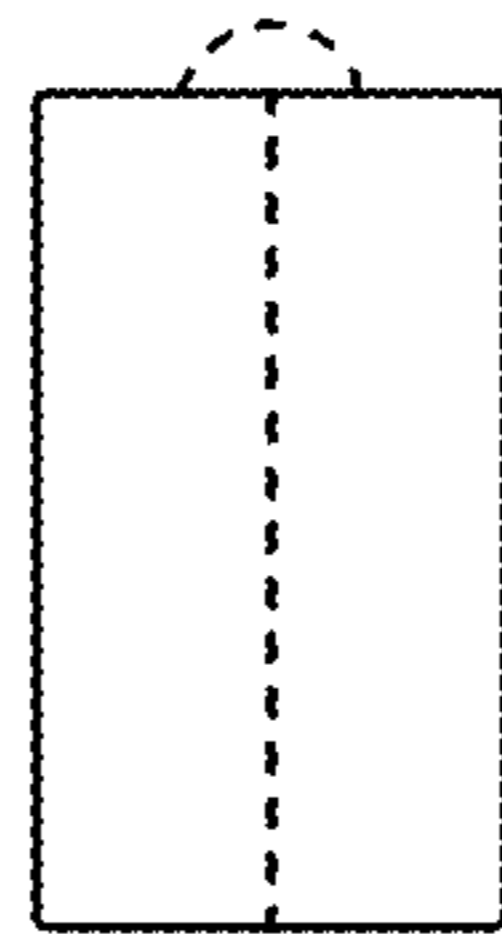


FIG. 6

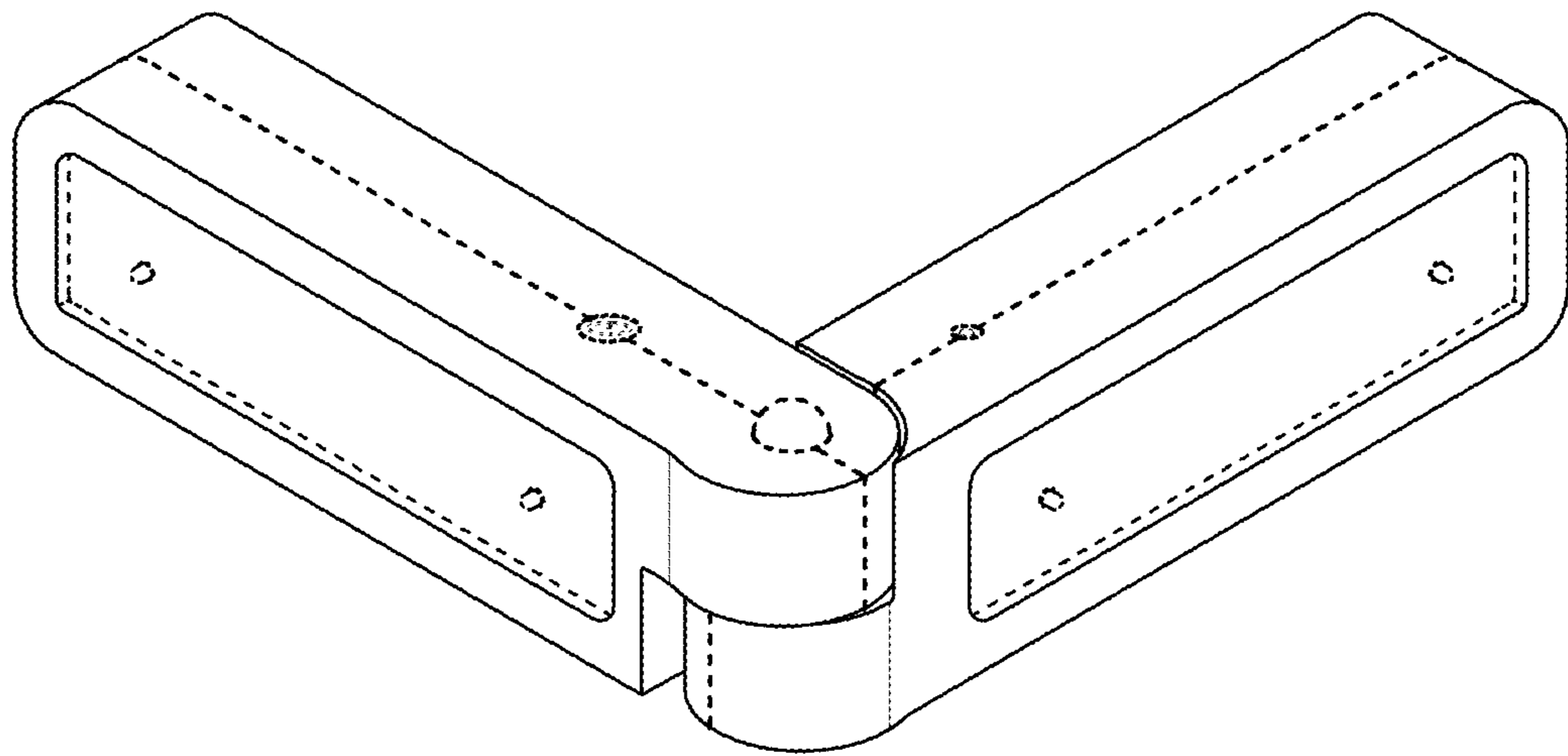


FIG. 7

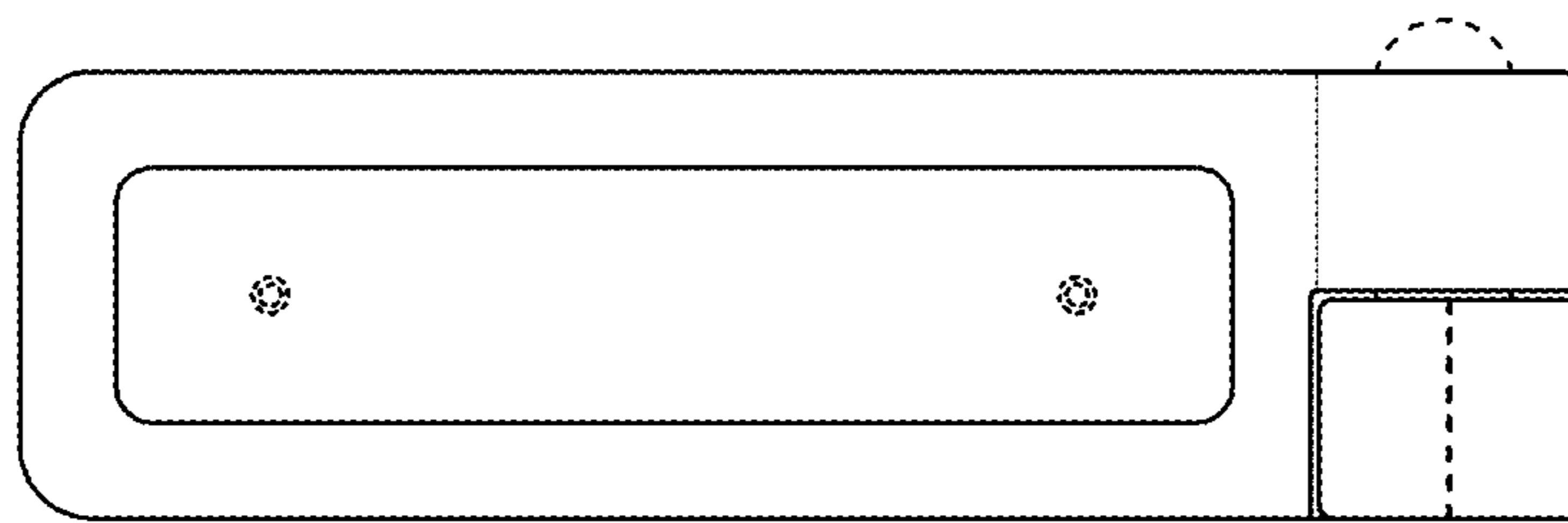


FIG. 8

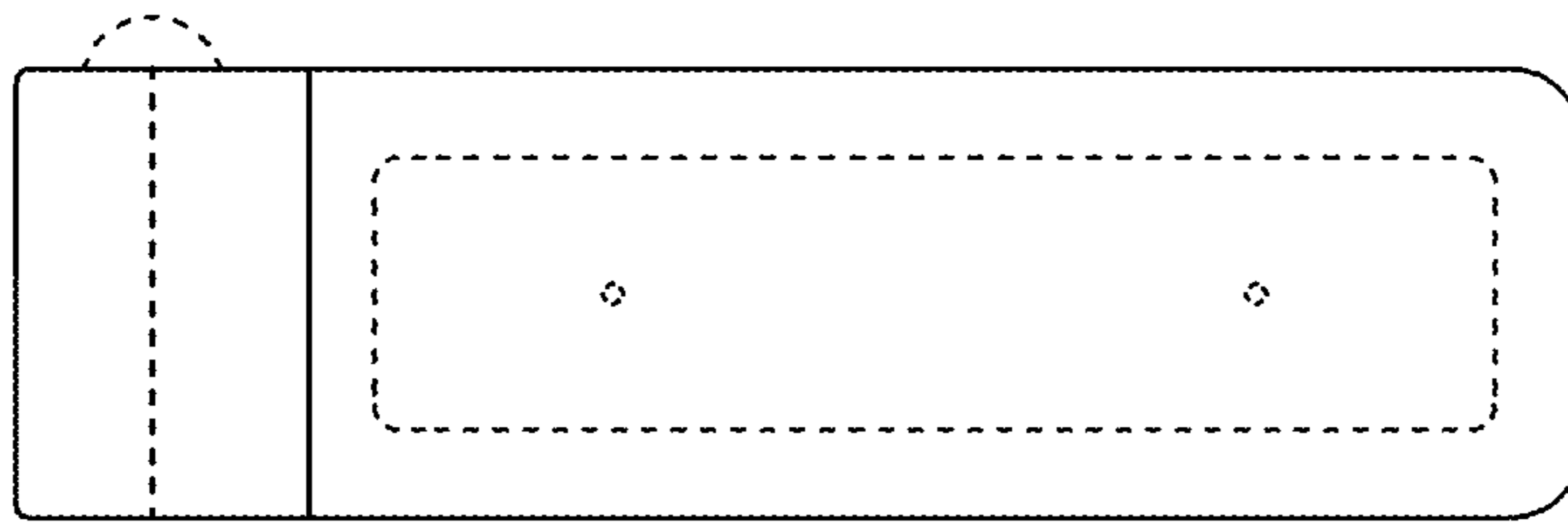


FIG. 9

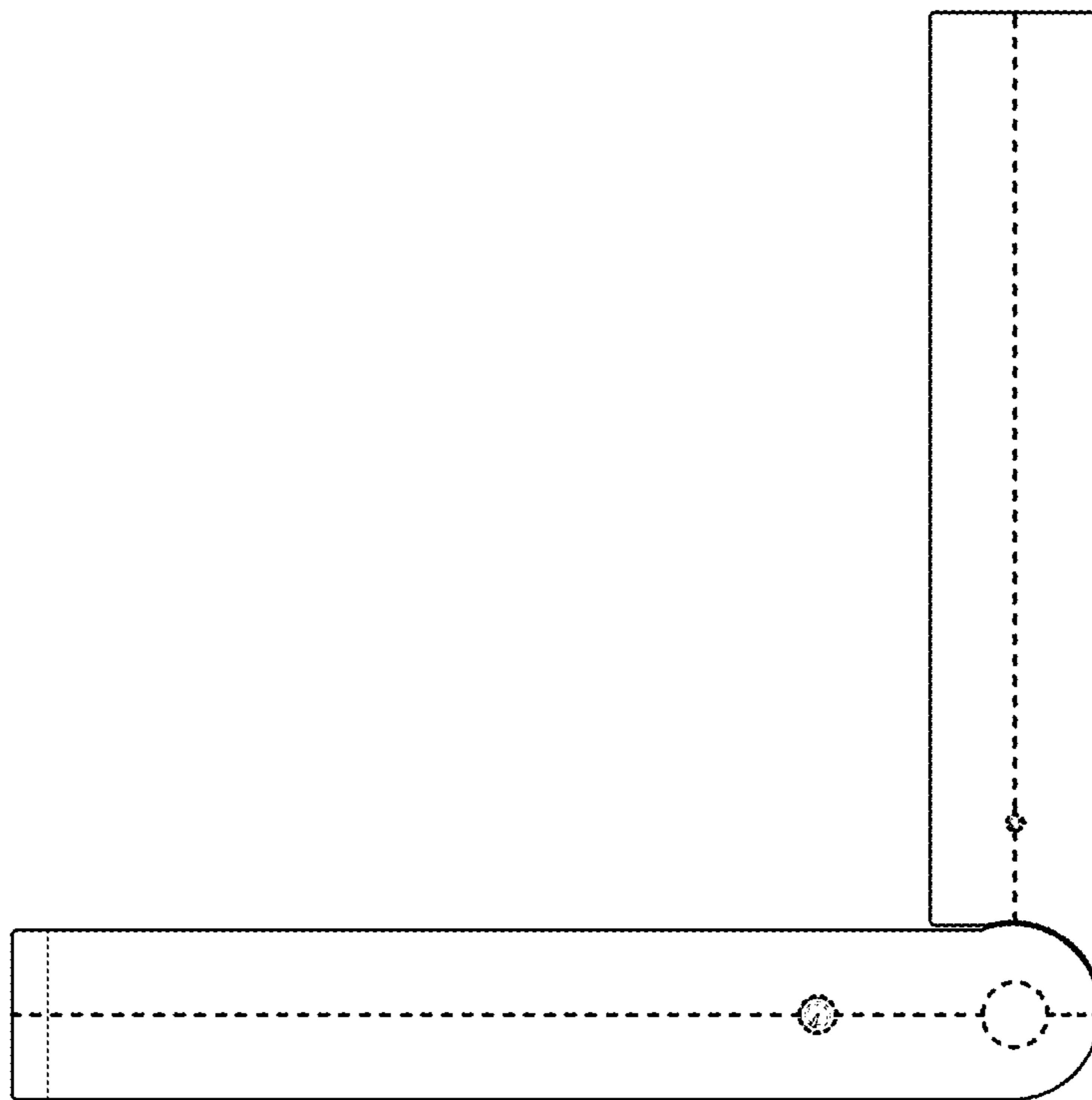


FIG. 10

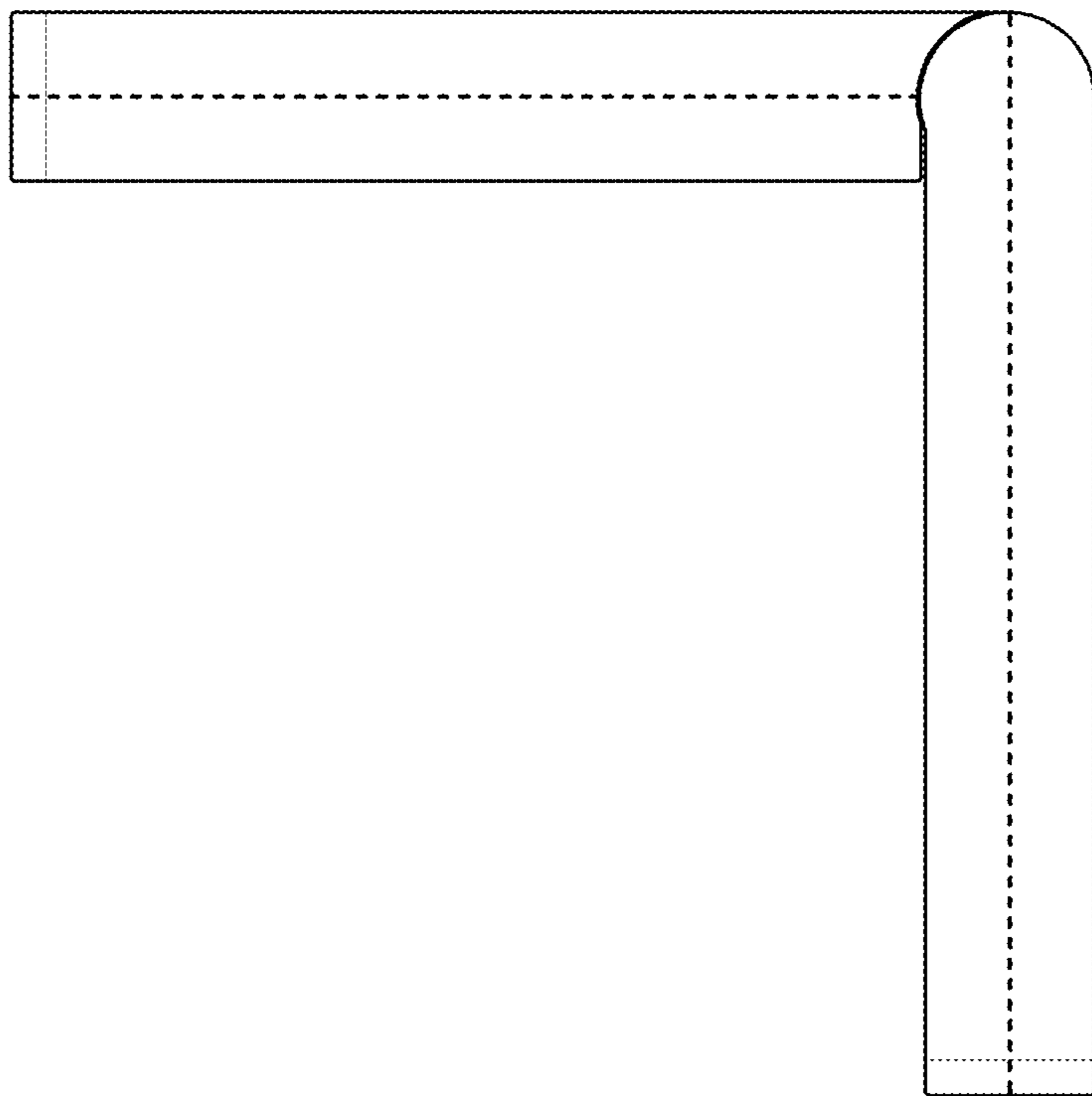


FIG. 11

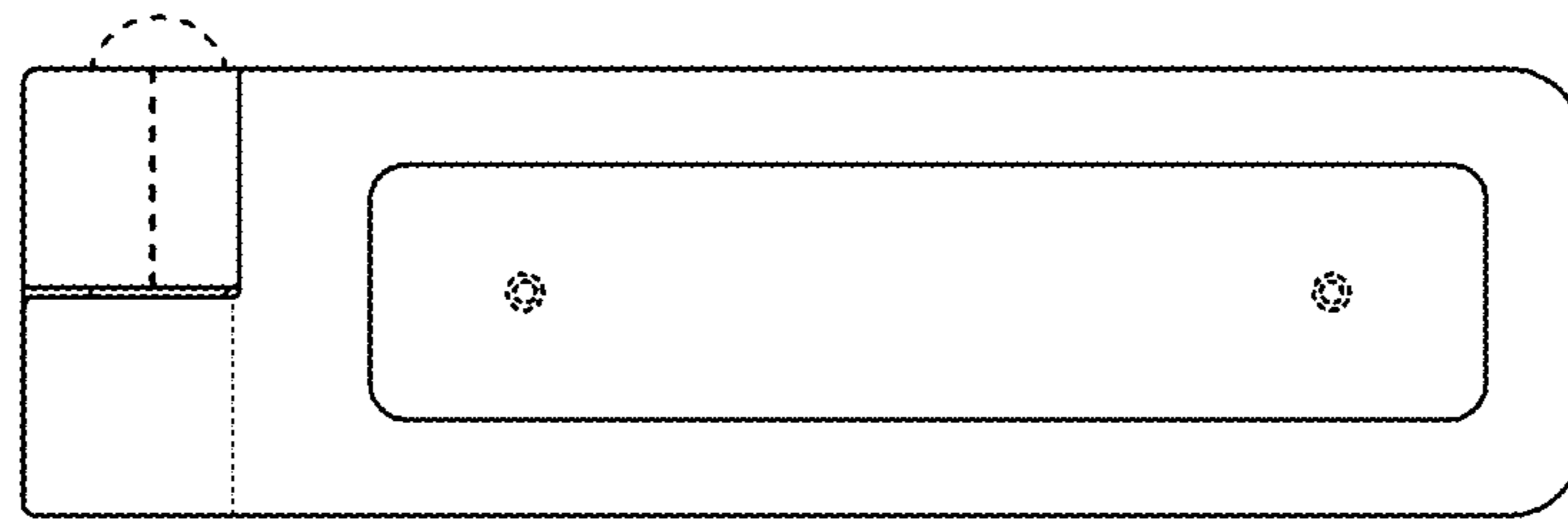


FIG. 12

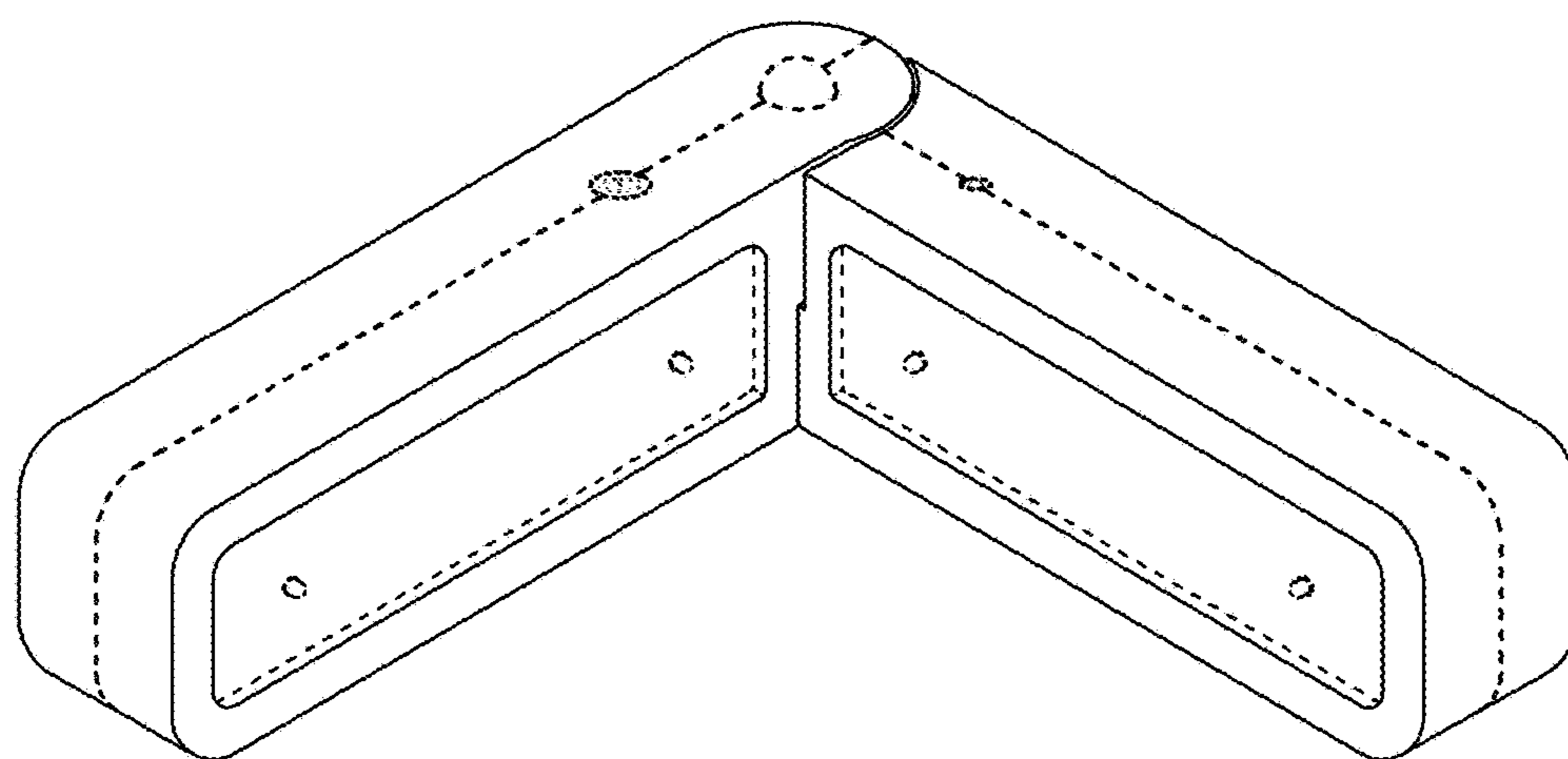


FIG. 13

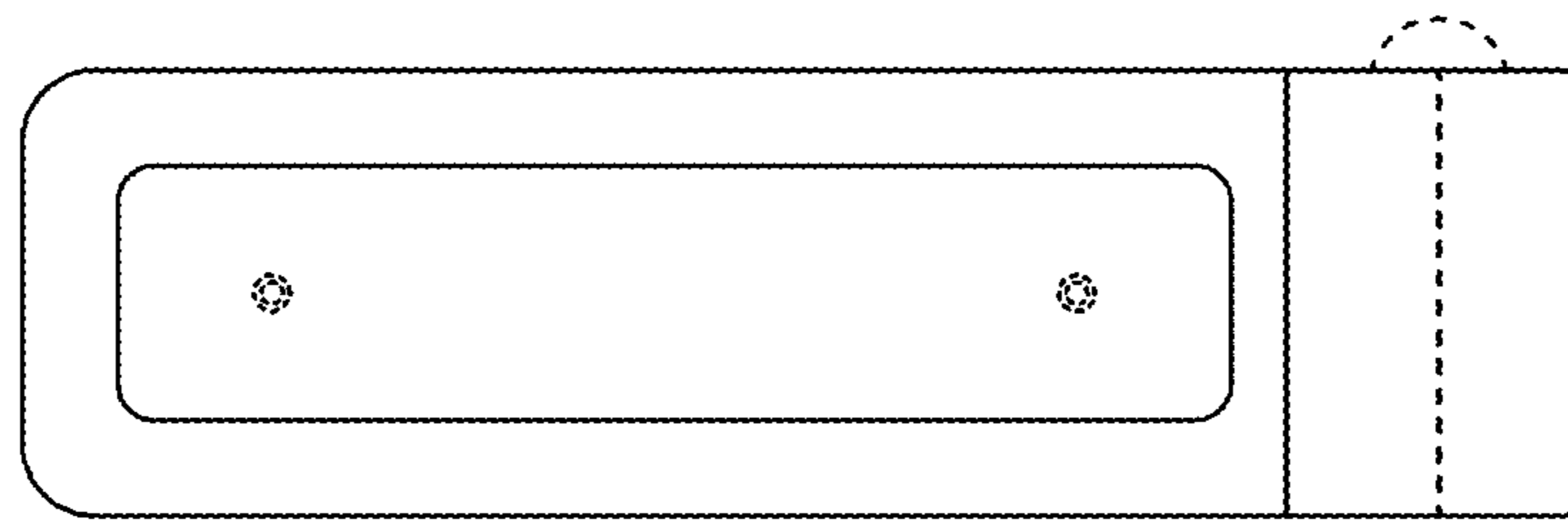


FIG. 14

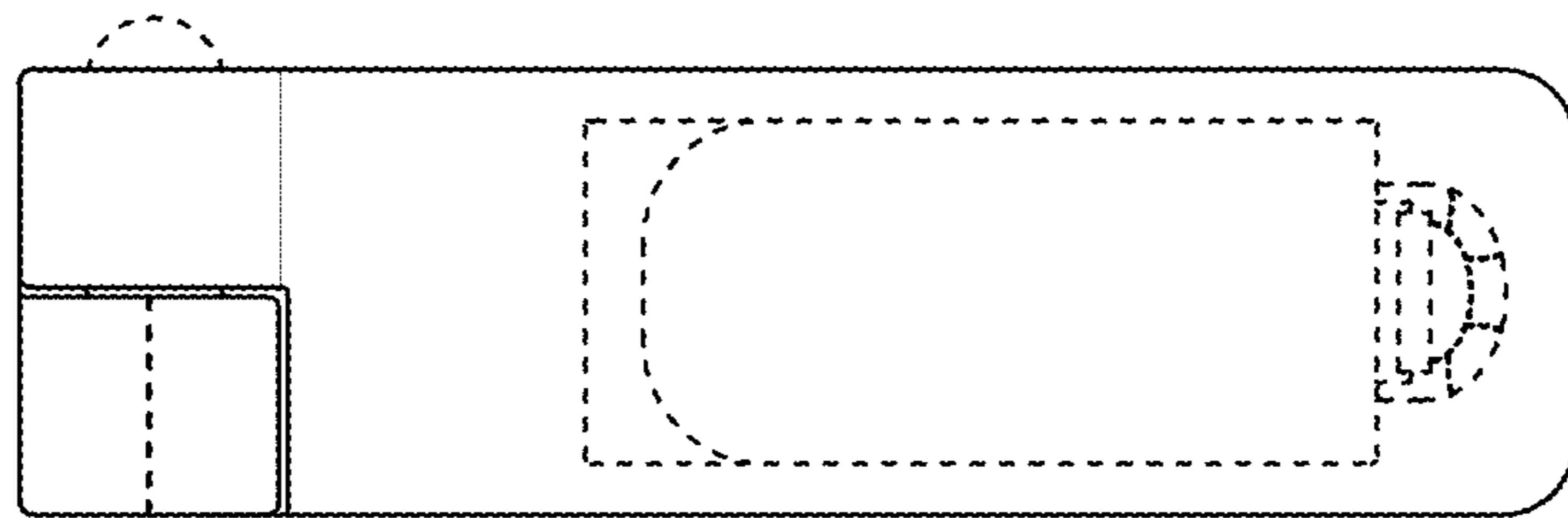


FIG. 15

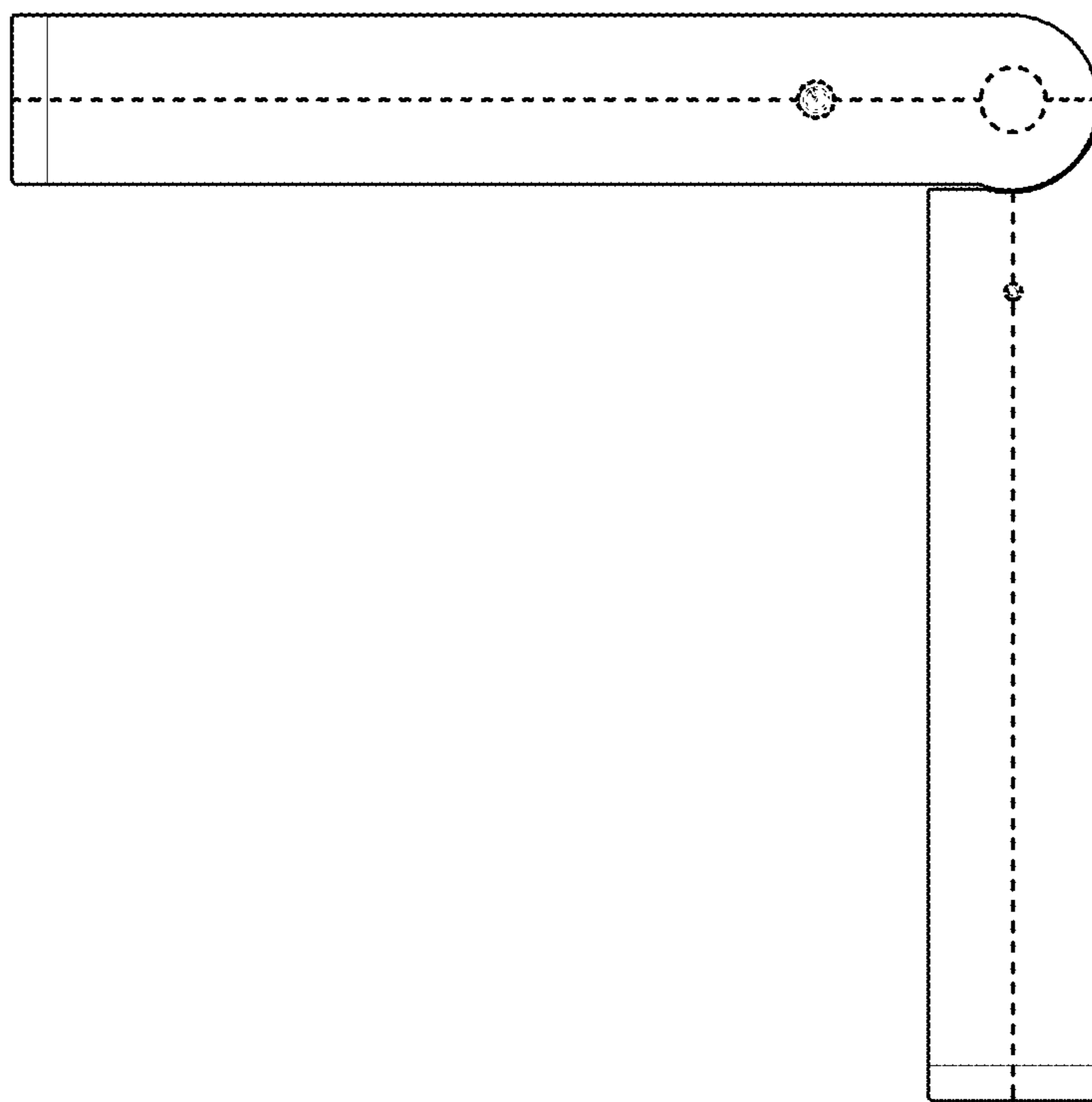


FIG. 16

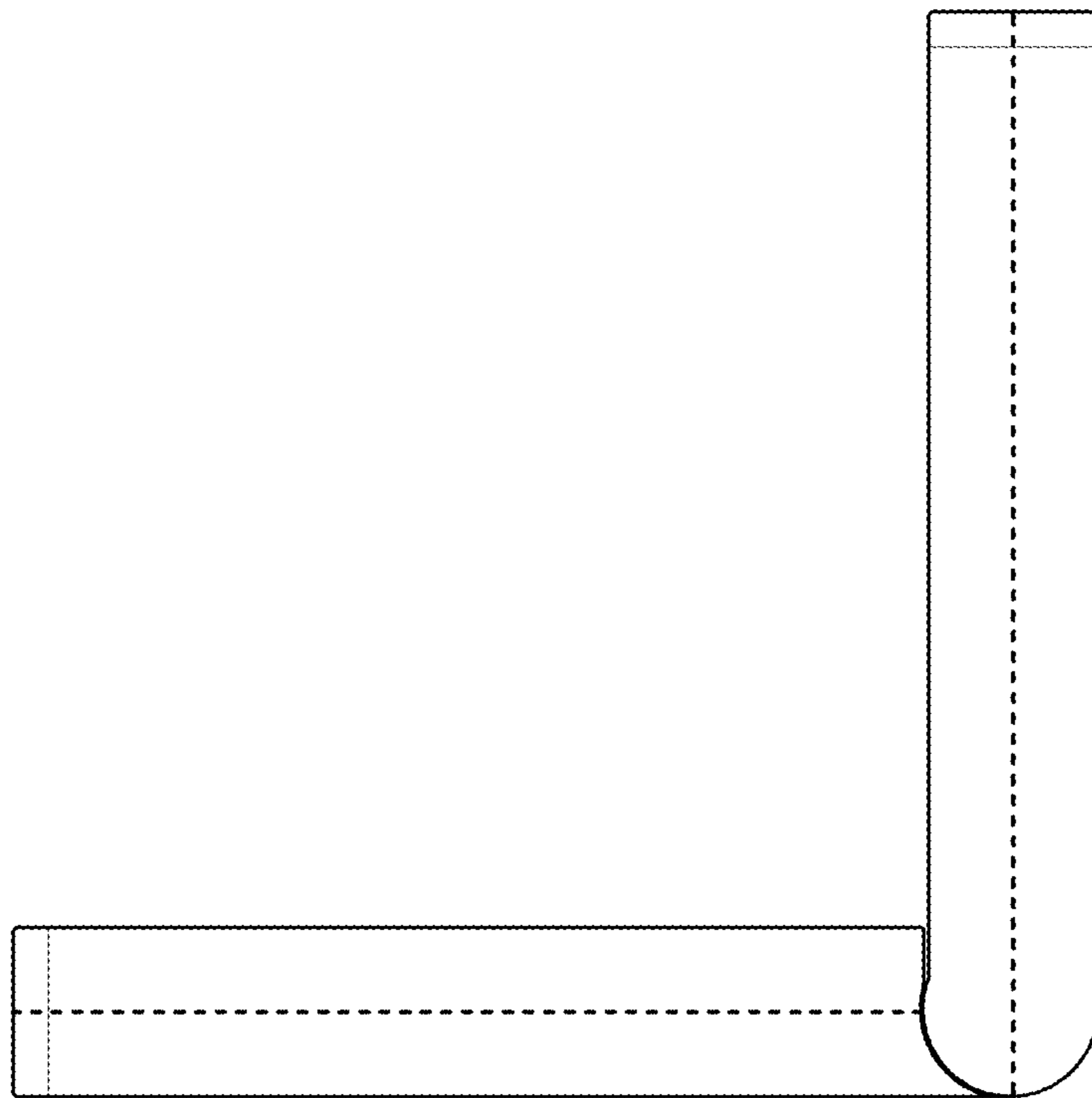


FIG. 17

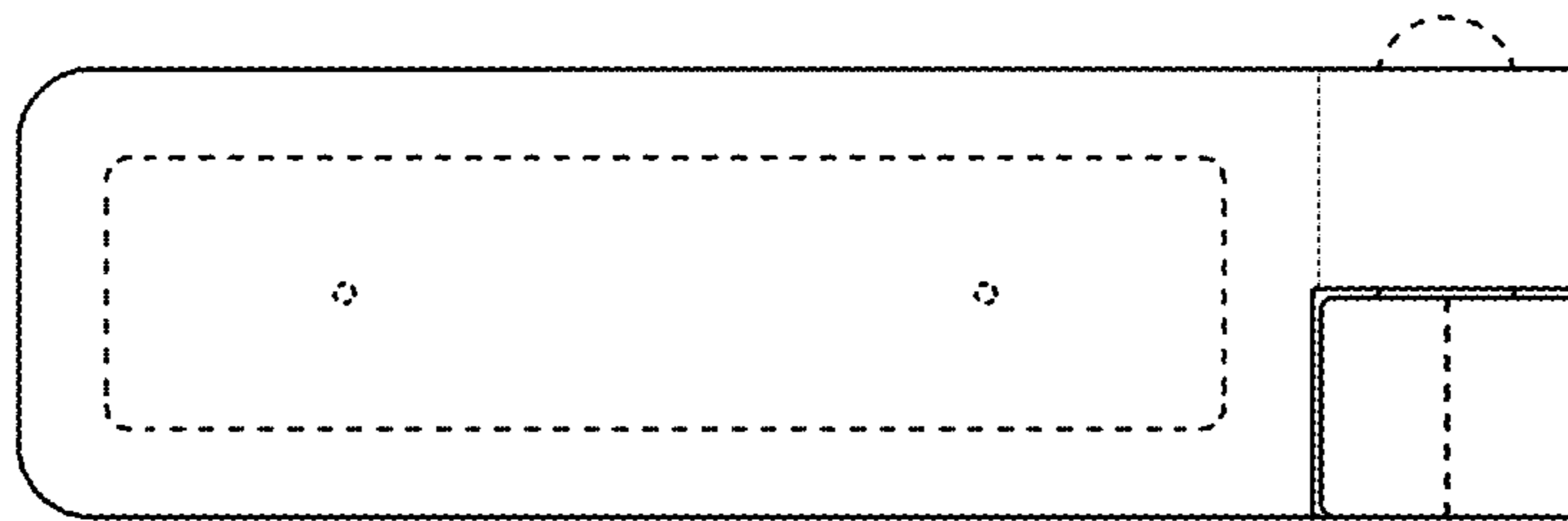


FIG. 18