



US00D819243S

(12) **United States Design Patent**
Nakagawa

(10) **Patent No.:** **US D819,243 S**

(45) **Date of Patent:** **** May 29, 2018**

(54) **REAR COMBINATION LAMP FOR AN
AUTOMOBILE**

D570,015 S * 5/2008 Hsu D26/28
D614,784 S * 4/2010 Lamm D26/28
D630,352 S * 1/2011 Jeong D26/28

(71) Applicant: **Nissan Motor Co., Ltd.**, Yokohama,
Kanagawa (JP)

* cited by examiner

(72) Inventor: **Shinichi Nakagawa**, Kanagawa (JP)

Primary Examiner — Marcus Jackson

(73) Assignee: **Nissan Motor Co., Ltd.**, Yokohama
(JP)

(57) **CLAIM**

The ornamental design for a rear combination lamp for an automobile, as shown and described.

(**) Term: **15 Years**

DESCRIPTION

(21) Appl. No.: **29/602,106**

FIG. 1 is a front elevational view of a rear combination lamp for an automobile in accordance with a first embodiment of our new design;

(22) Filed: **Apr. 28, 2017**

FIG. 2 is a rear elevational view thereof;

(30) **Foreign Application Priority Data**

Oct. 31, 2016 (JP) 2016-023716

FIG. 3 is a top plan view thereof;

(51) **LOC (11) Cl.** **26-06**

FIG. 4 is a bottom plan view thereof;

(52) **U.S. Cl.**

USPC **D26/28**

FIG. 5 is a left side elevational view thereof;

(58) **Field of Classification Search**

USPC D26/28–36; 362/80–83, 267–269,
362/459–468, 475–478, 485–487

FIG. 6 is a right side elevational view thereof; and,

CPC F21S 48/00; F21S 48/10; F21S 48/115;
F21S 48/1233; F21S 48/1266; F21S
48/1388; F21S 48/2268; F21V 21/04

FIG. 7 is a front side perspective view thereof.

See application file for complete search history.

The rear combination lamp is configured to be mounted to an automobile. The mounting structure and support structure of the rear combination lamp, shown in broken lines in FIGS. 2 to 6, form no part of the claimed design since the mounting structure and support structure are hidden when the rear combination lamp is mounted to the automobile.

(56) **References Cited**

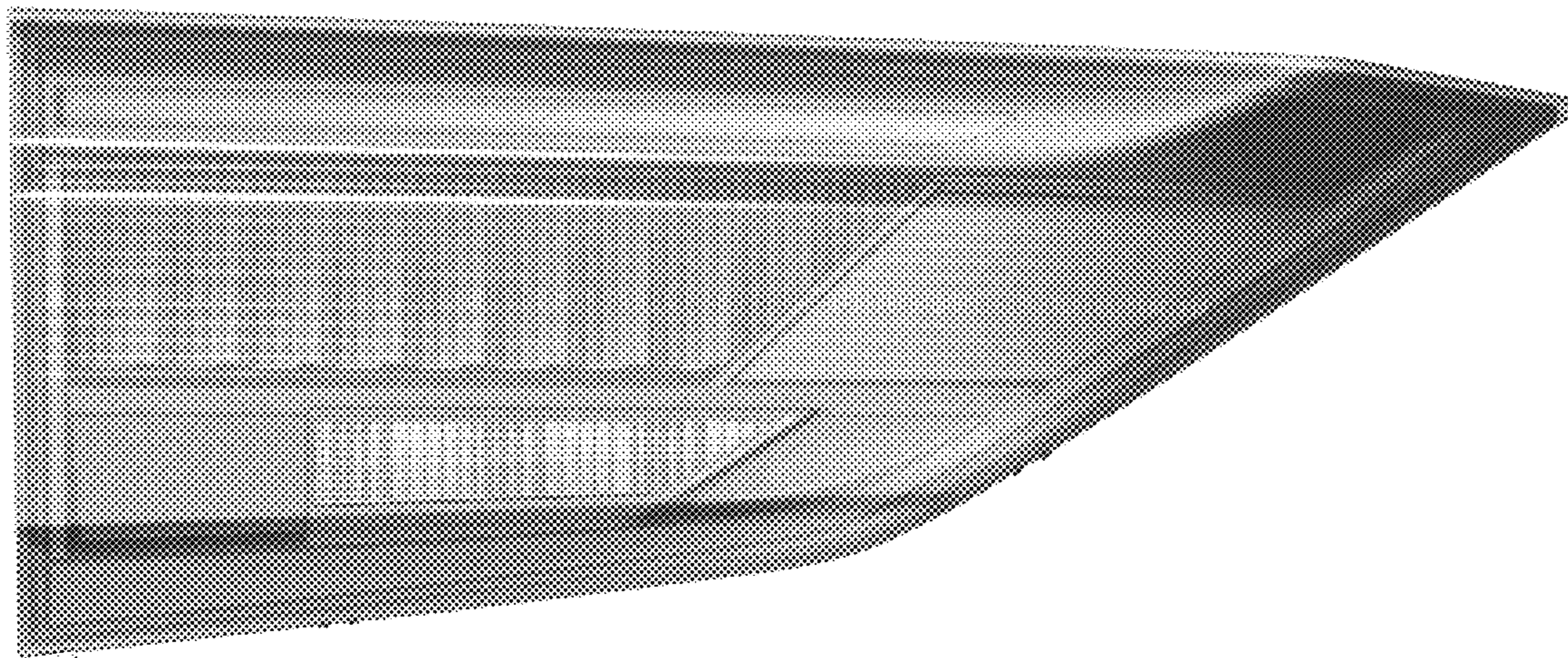
U.S. PATENT DOCUMENTS

D549,363 S * 8/2007 Pfeiffer D26/28
D553,269 S * 10/2007 Pfeiffer D26/28
D560,292 S * 1/2008 Sato D26/28

In addition, the appearance of the rear side structures of the rear combination lamp as shown in broken lines in FIGS. 2 to 6 is for purpose of illustrating the boundaries of the exterior surface of the rear combination lamp, and forms no part of the claimed design. The rear combination lamp has a front lens that is transparent such that features behind the lens are at least partially visible as illustrated.

A second embodiment of our new design is identical to the first embodiment. The second embodiment of our new design includes the mirror image of the rear combination lamp shown in FIGS. 1 to 7.

1 Claim, 7 Drawing Sheets



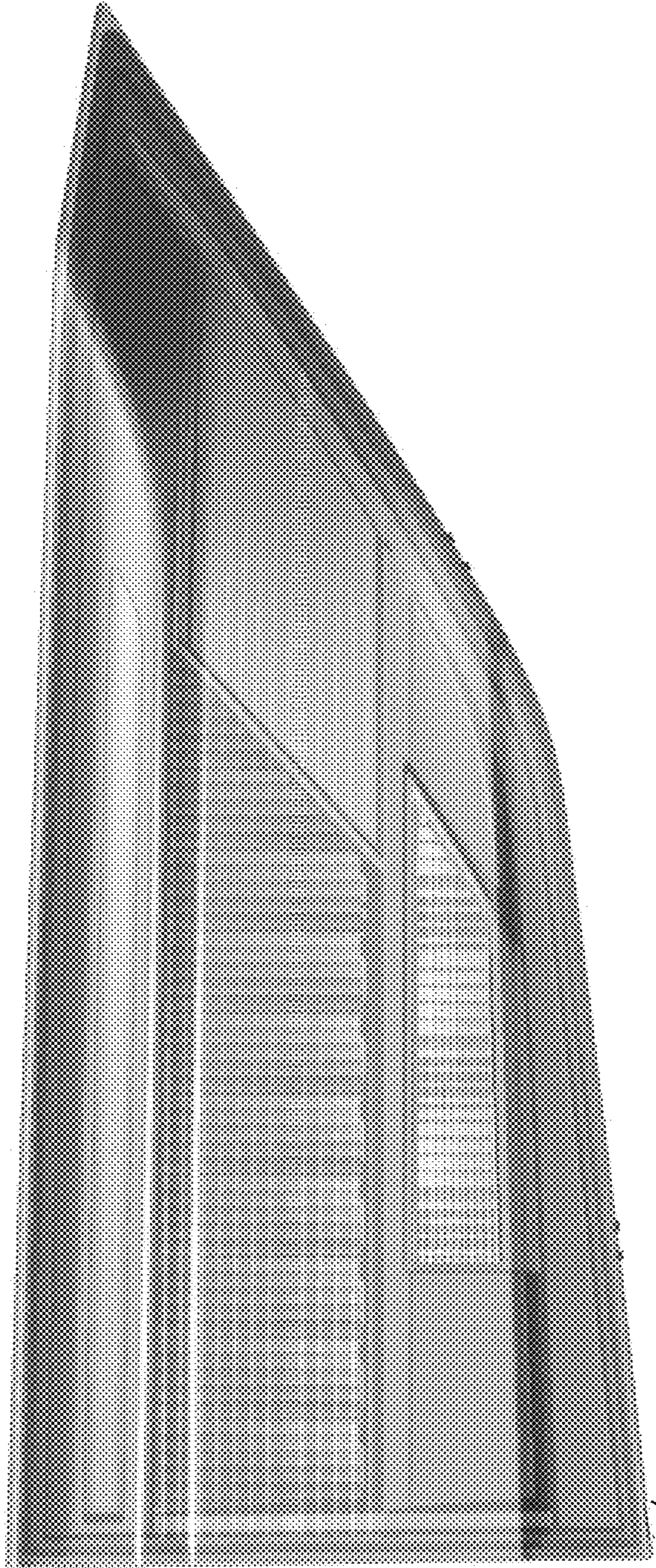


FIG. 1

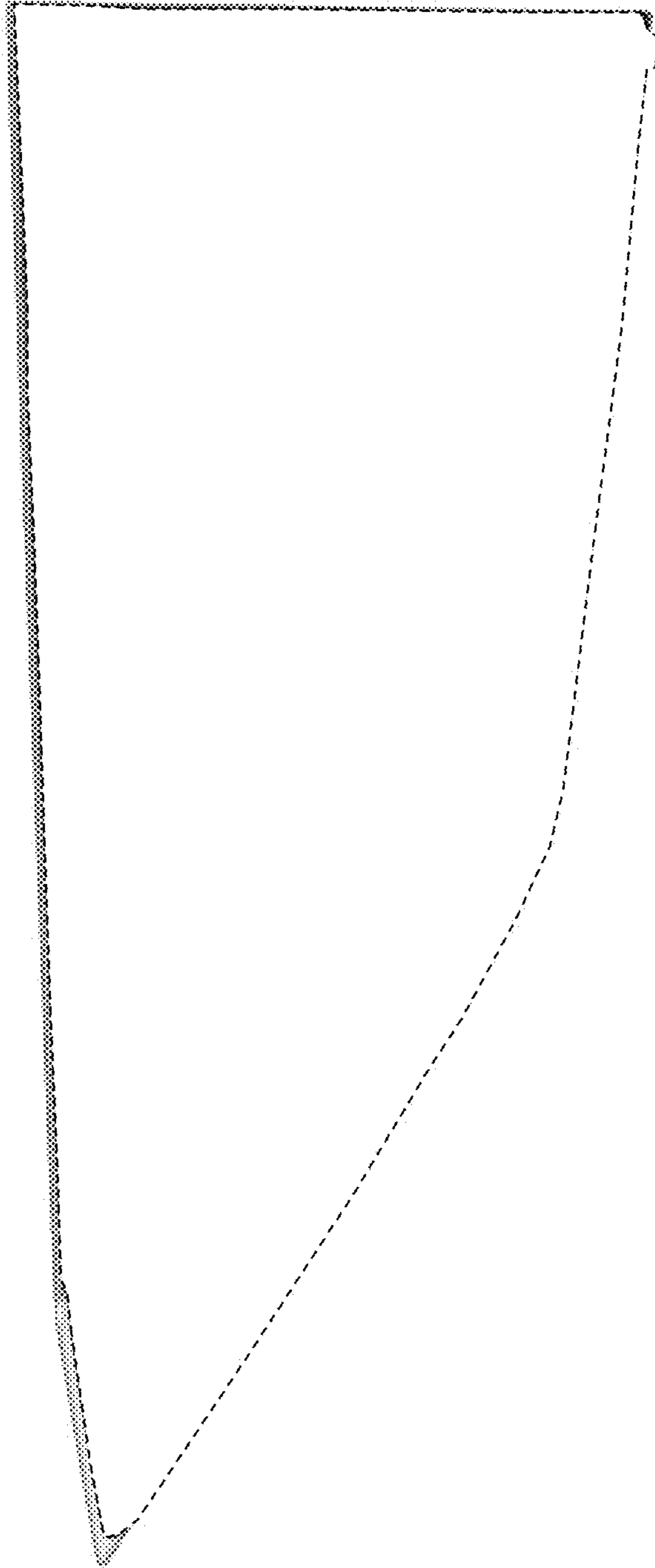


FIG. 2

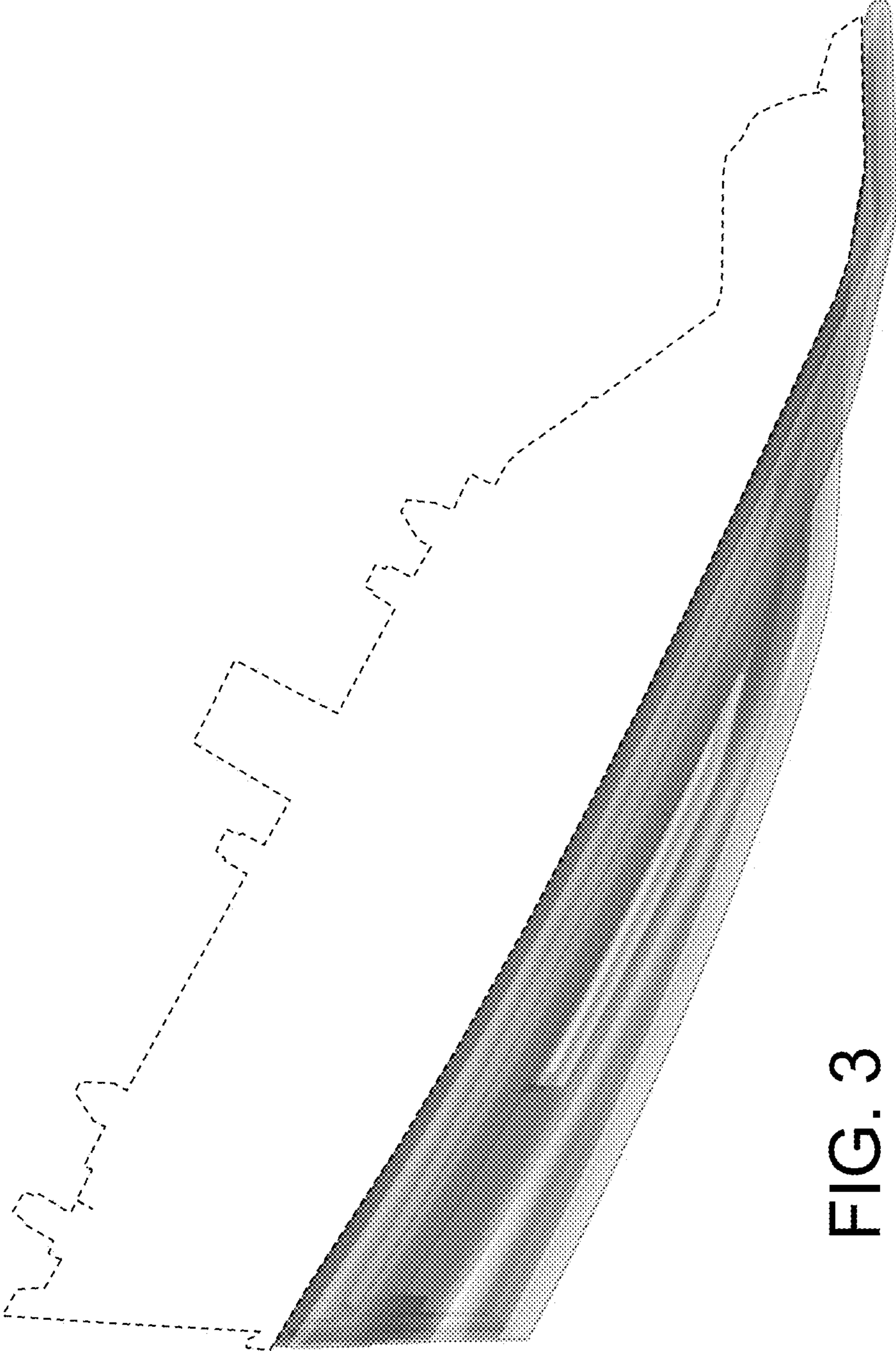


FIG. 3



FIG. 4

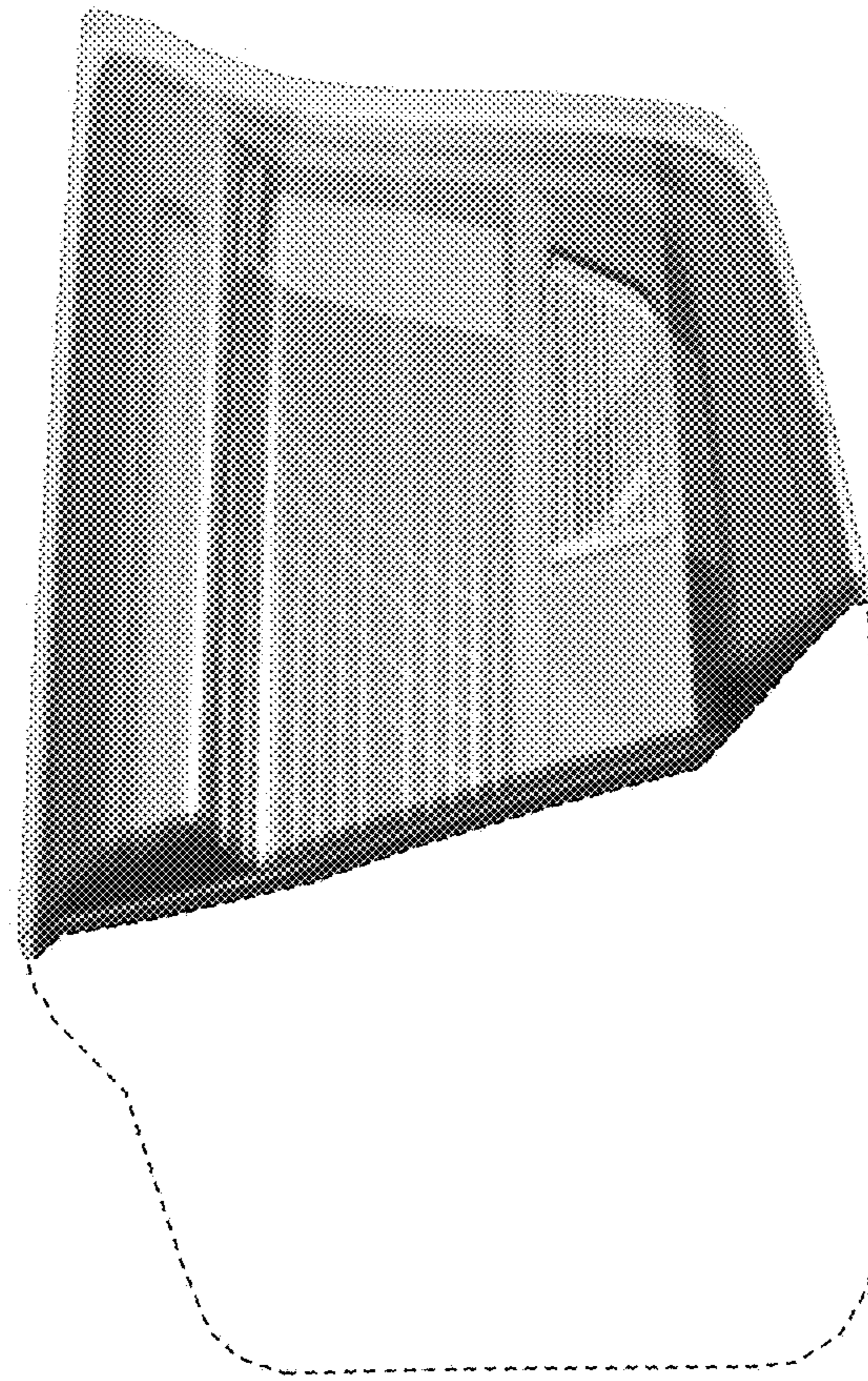


FIG. 5

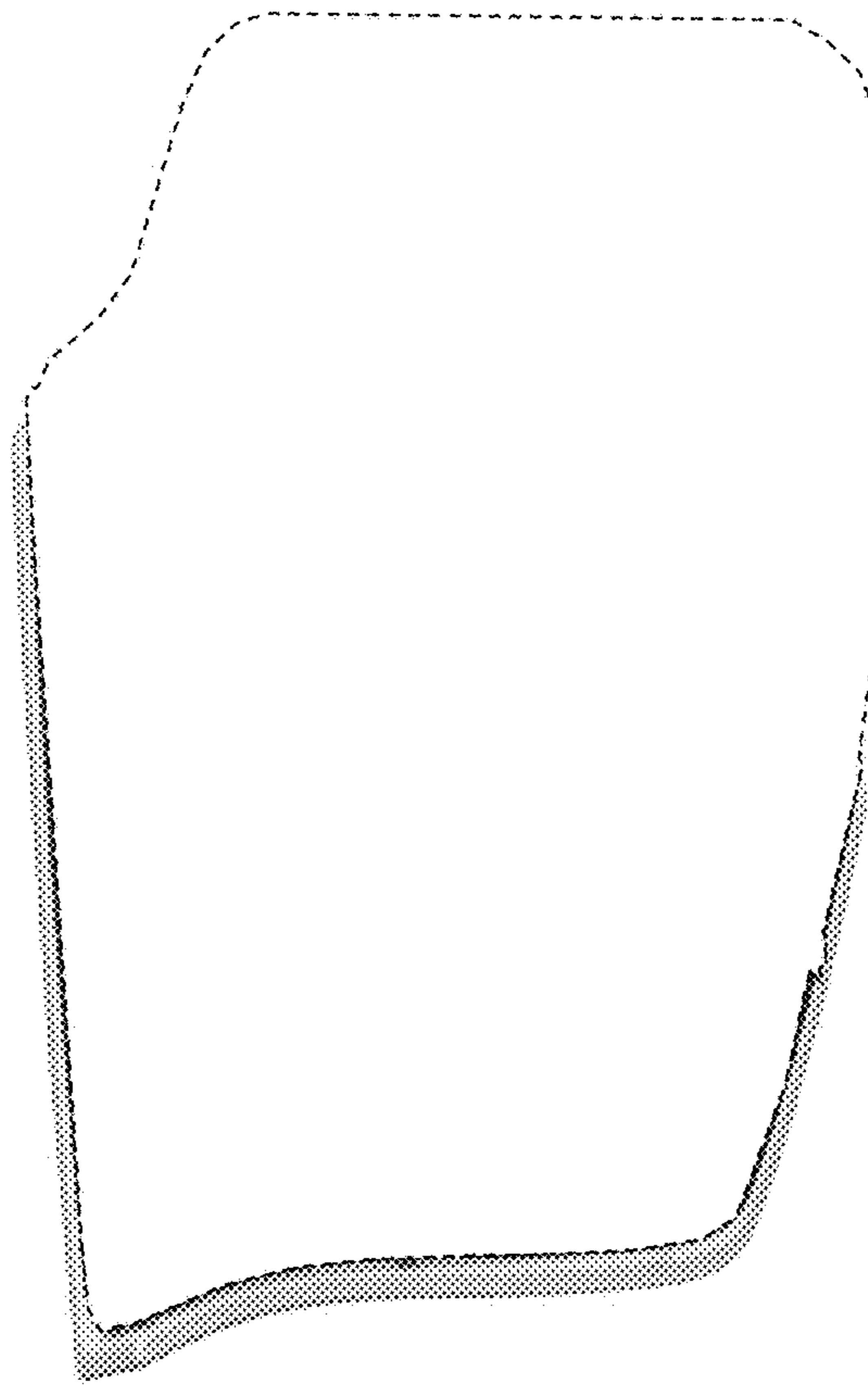


FIG. 6

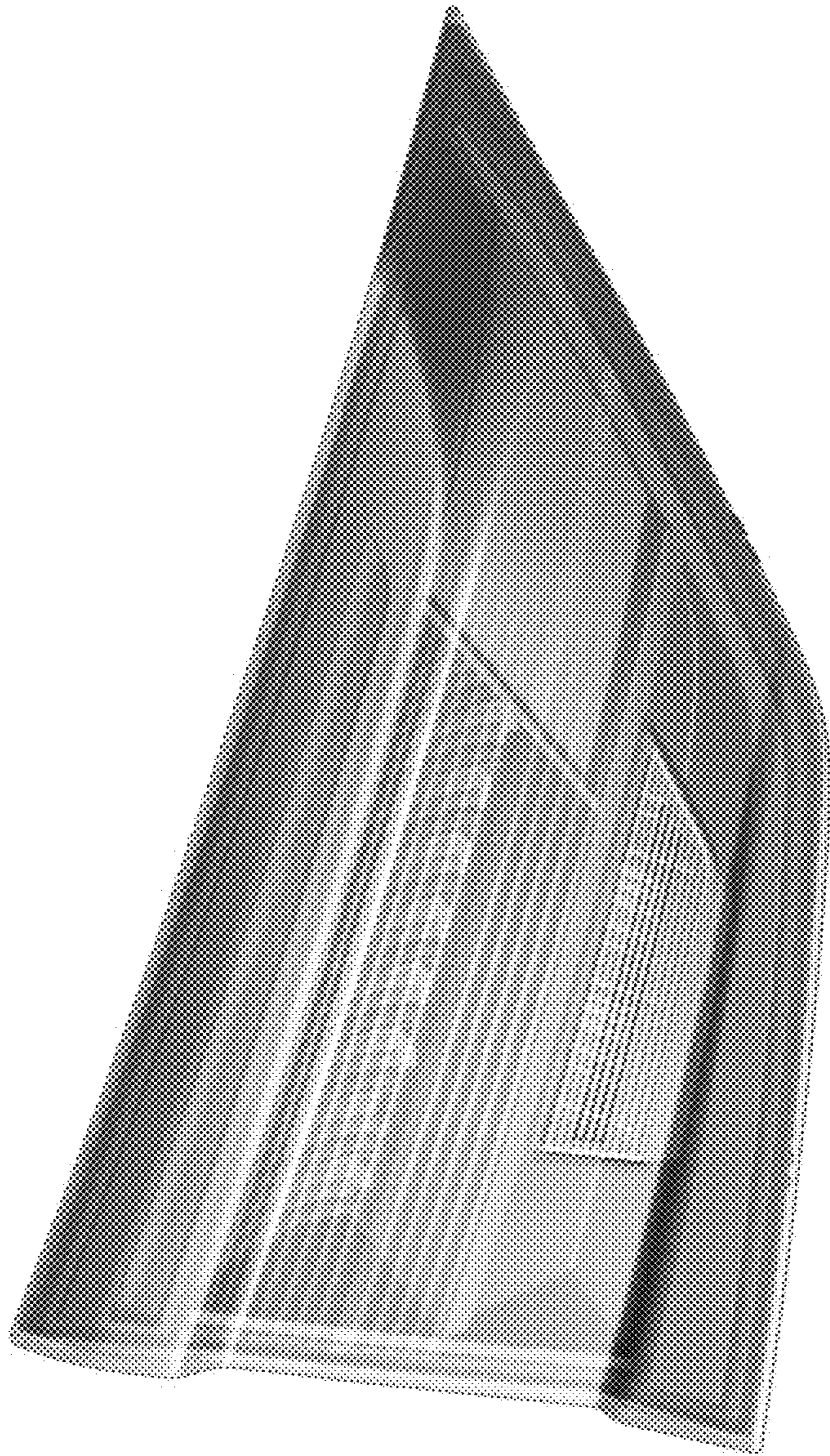


FIG. 7