



US00D819239S

(12) **United States Design Patent**
Cai

(10) **Patent No.:** **US D819,239 S**

(45) **Date of Patent:** **** May 29, 2018**

(54) **LED LAMP**

(71) Applicant: **Guanlin Cai**, Guangdong (CN)

(72) Inventor: **Guanlin Cai**, Guangdong (CN)

(**) Term: **15 Years**

(21) Appl. No.: **29/596,670**

(22) Filed: **Mar. 9, 2017**

(51) **LOC (11) Cl.** **26-04**

(52) **U.S. Cl.**
USPC **D26/2**

(58) **Field of Classification Search**

USPC D26/1-4; 313/313, 315, 316, 317, 318,
313/493; 315/52, 53, 56, 57, 58
CPC H01R 5/00; H01R 13/46; H01R 13/514;
H01R 31/048; H01R 31/02; H01J 5/00;
H01J 5/16; H01J 1/02; H01J 15/00; H01J
5/48; H01J 5/50; H01J 19/54; F21V 5/00
See application file for complete search history.

(56) **References Cited**

U.S. PATENT DOCUMENTS

D532,532 S * 11/2006 Maxik D26/2
D610,271 S * 2/2010 Bi D26/2

D616,120 S * 5/2010 Wada D26/2
D631,571 S * 1/2011 Bobel D26/2
D634,030 S * 3/2011 Bobel D26/2
D646,802 S * 10/2011 Guohui D26/2

* cited by examiner

Primary Examiner — Marcus Jackson

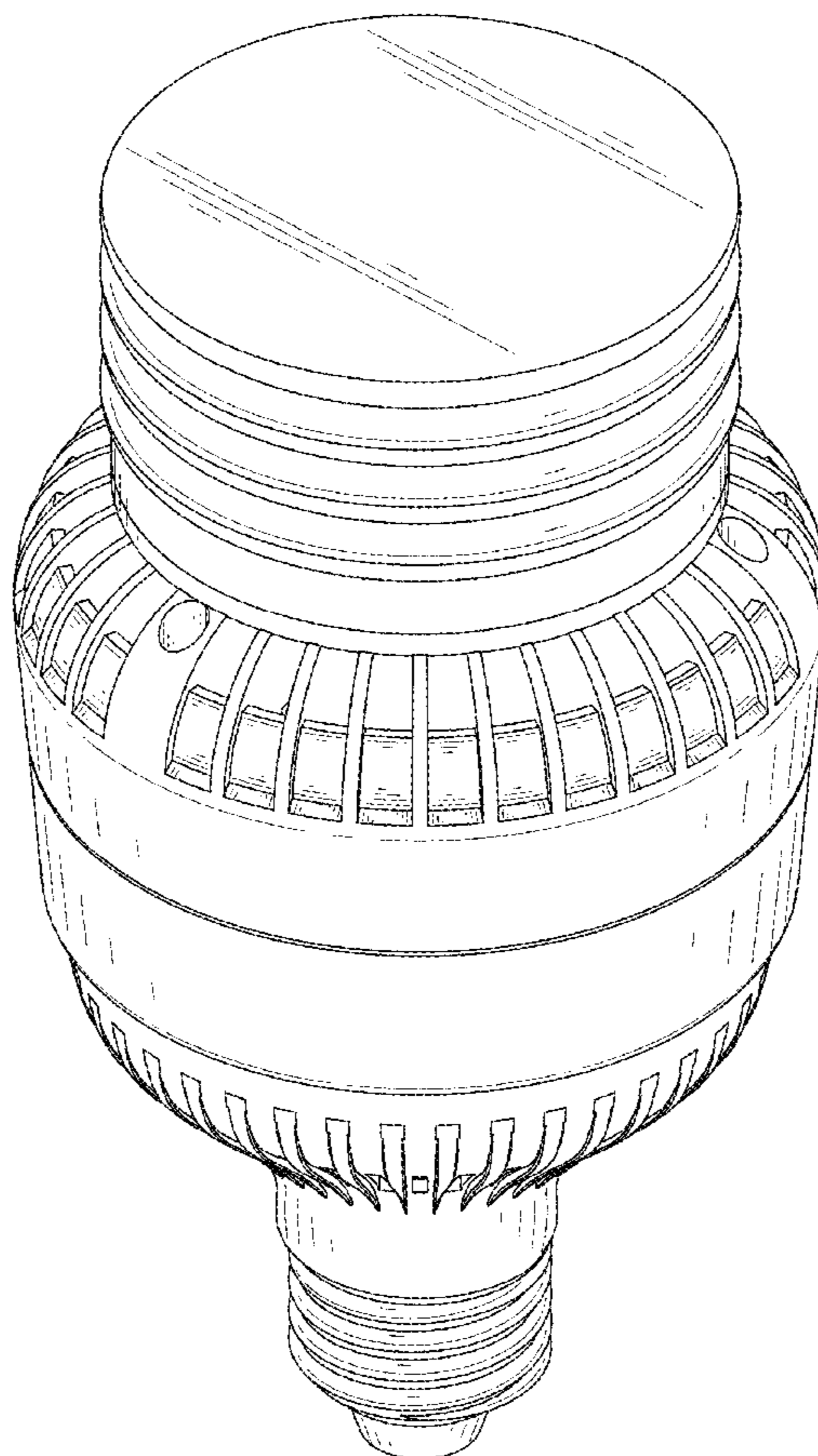
(57) **CLAIM**

The ornamental design for a LED lamp, as shown and described.

DESCRIPTION

FIG. 1 is a front elevational view of a LED lamp showing my new design;
FIG. 2 is a rear elevational view thereof;
FIG. 3 is a left side view thereof;
FIG. 4 is a right side view thereof;
FIG. 5 is a top plan view thereof;
FIG. 6 is a bottom plan view thereof; and,
FIG. 7 is a perspective view thereof.
The broken lines shown in FIG. 6 form no part of the claimed design.

1 Claim, 7 Drawing Sheets



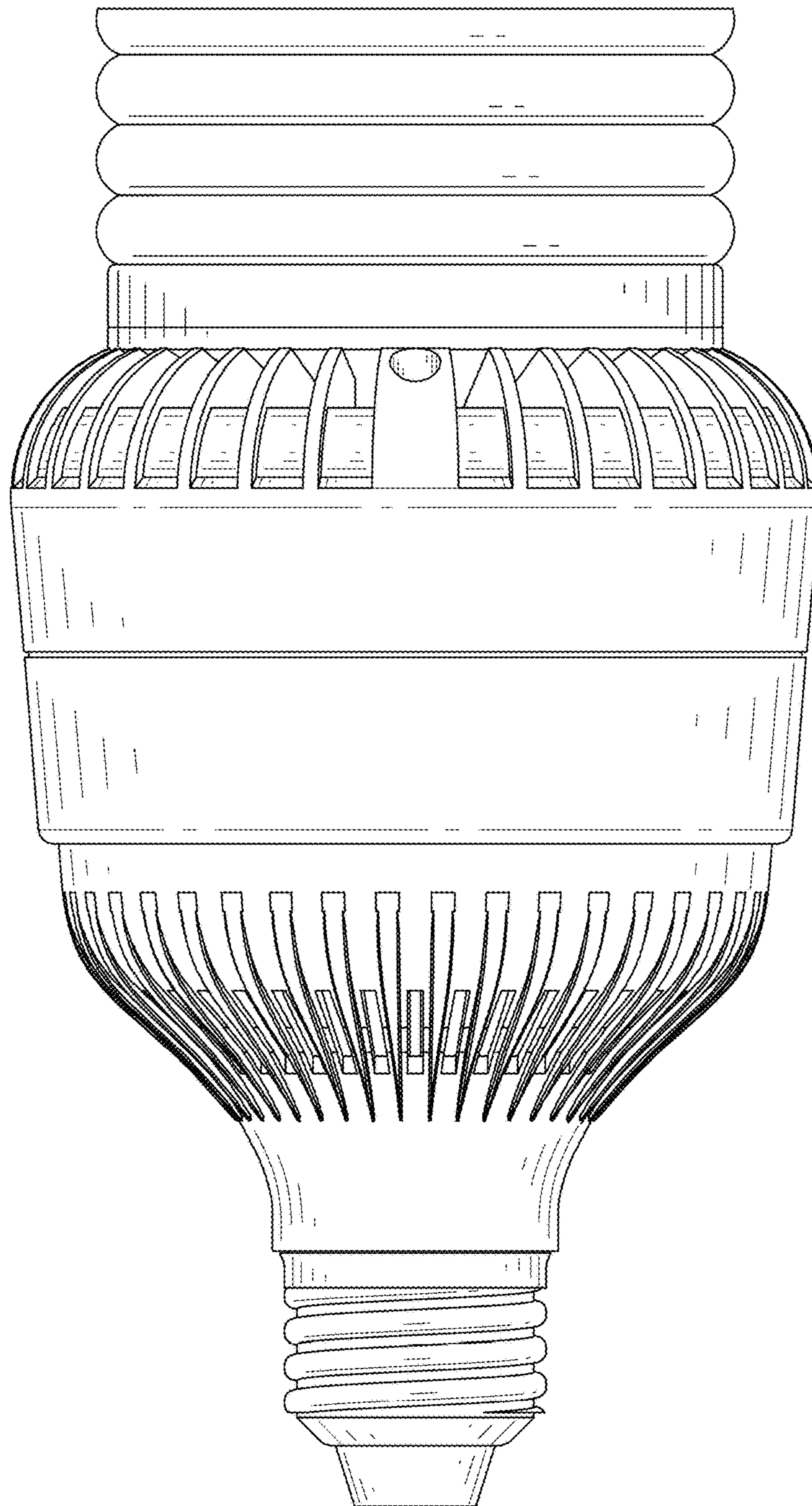


FIG. 1

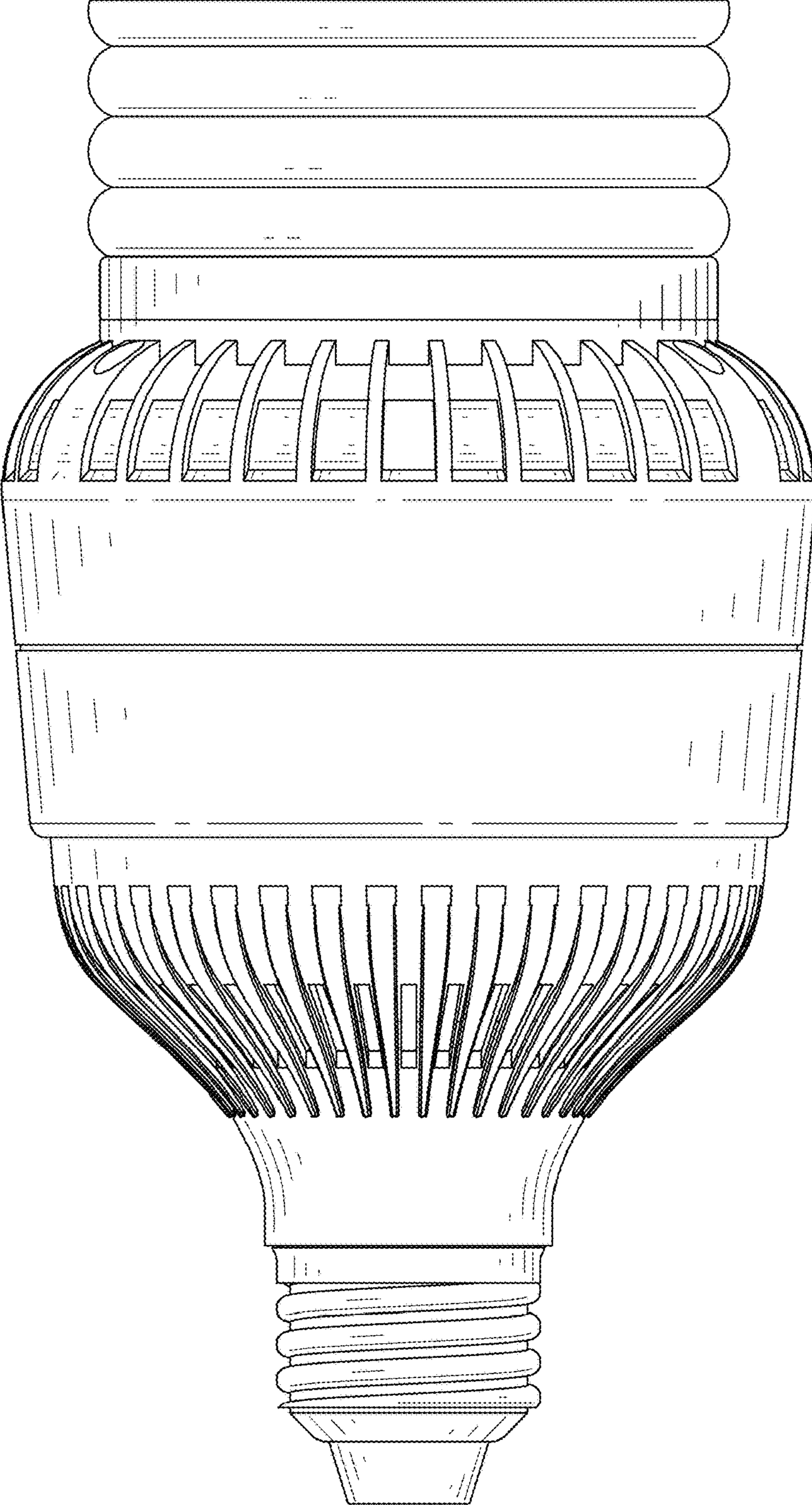


FIG. 2

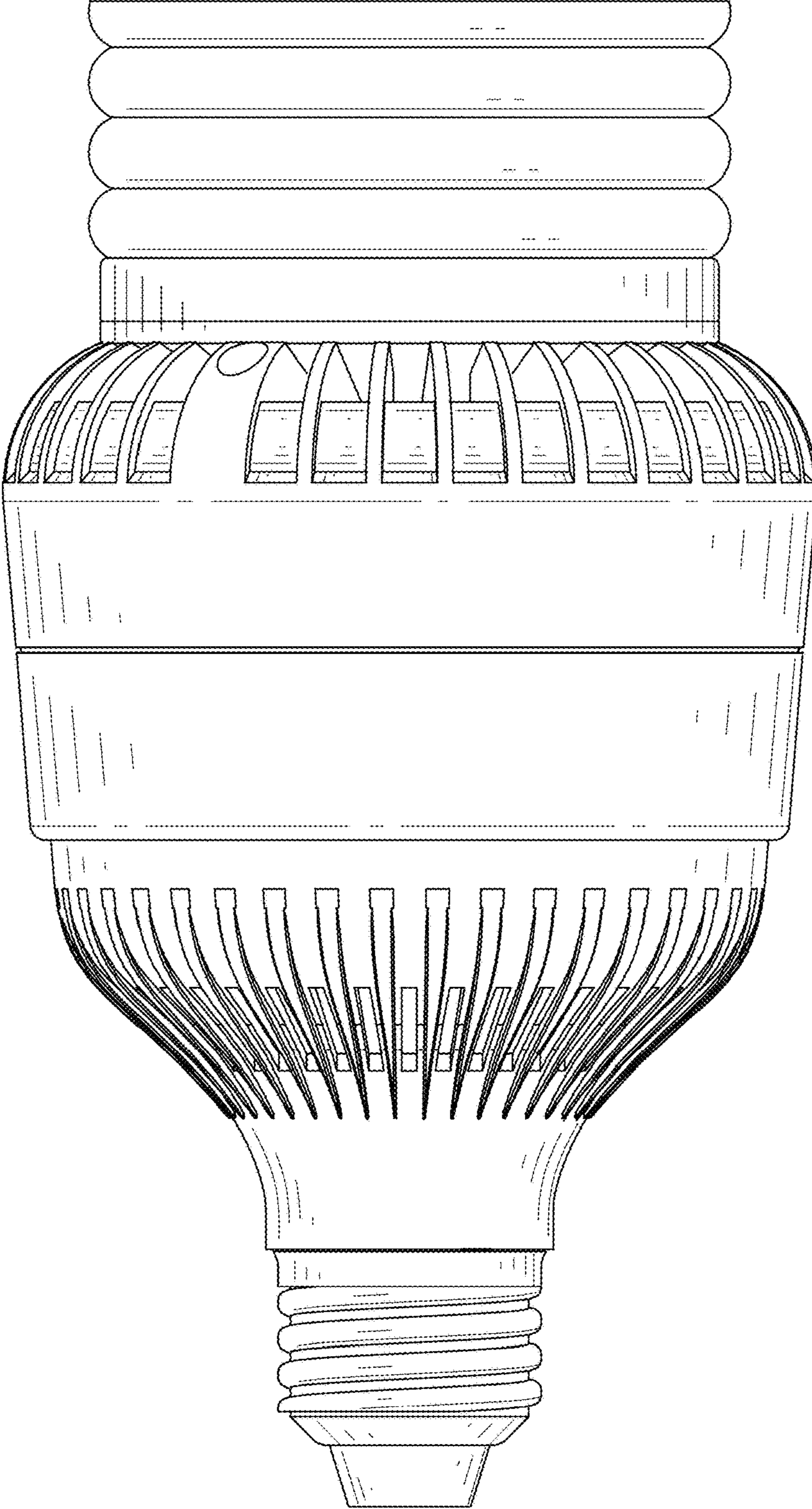


FIG. 3

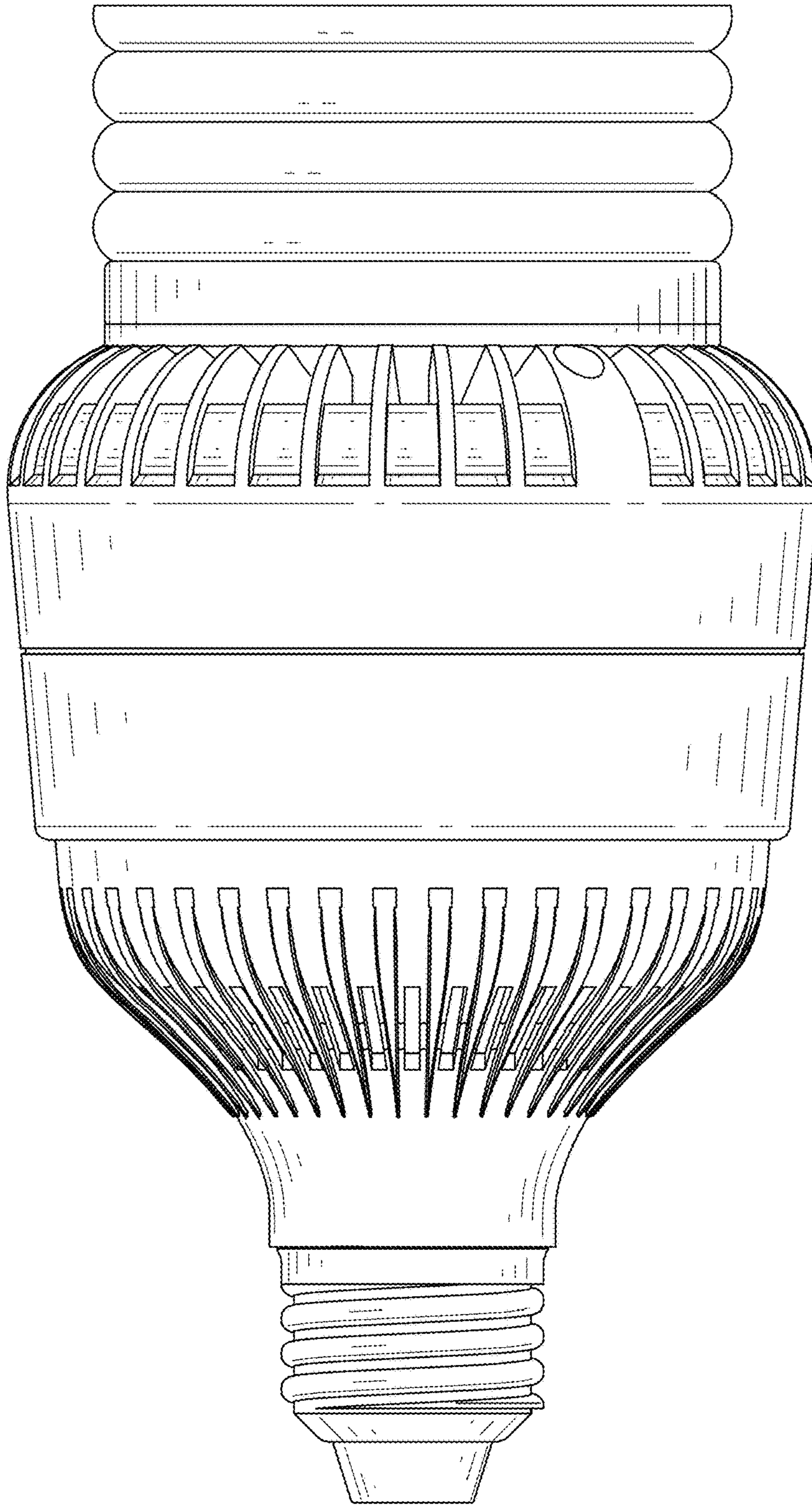


FIG. 4

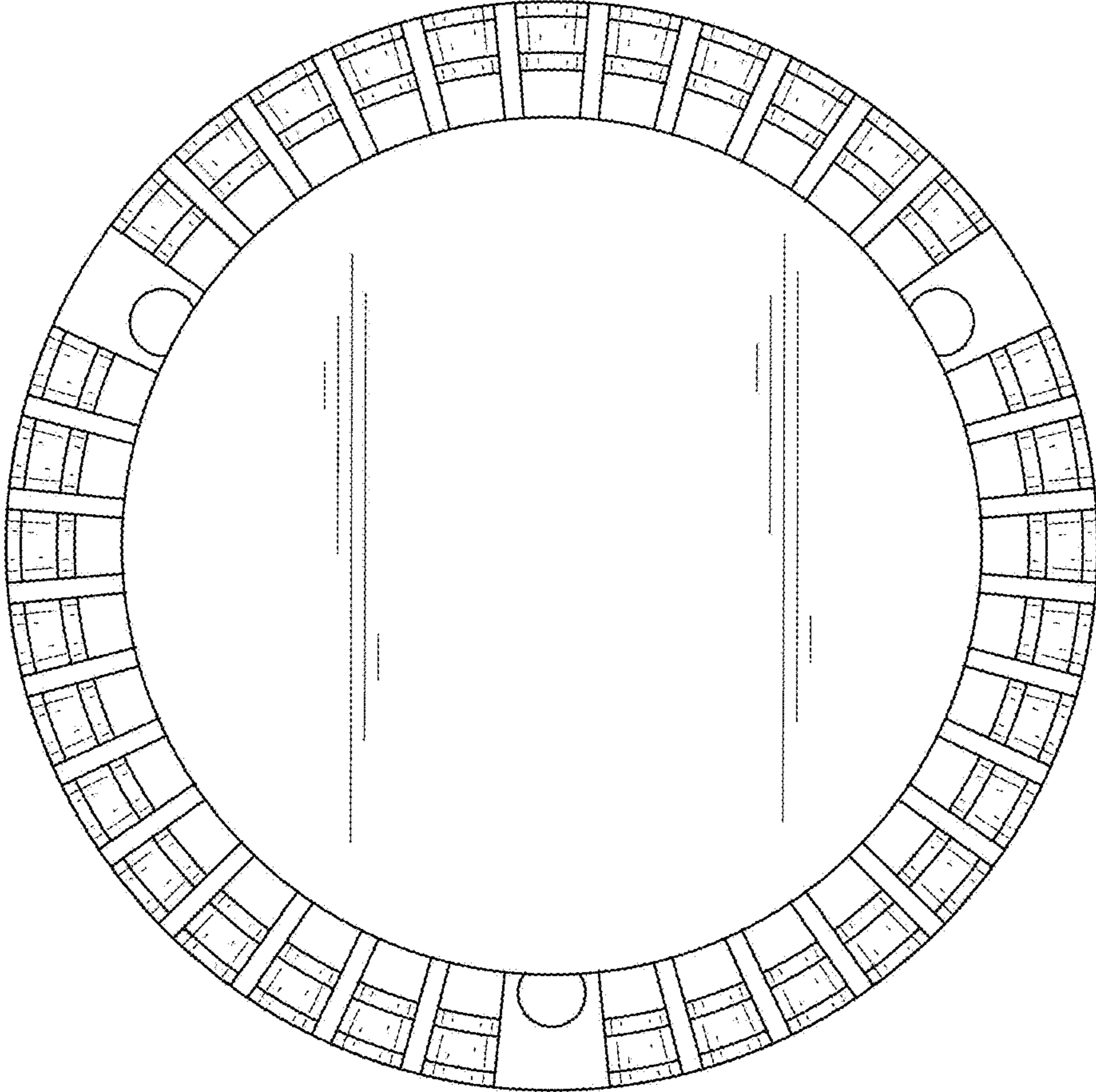


FIG. 5

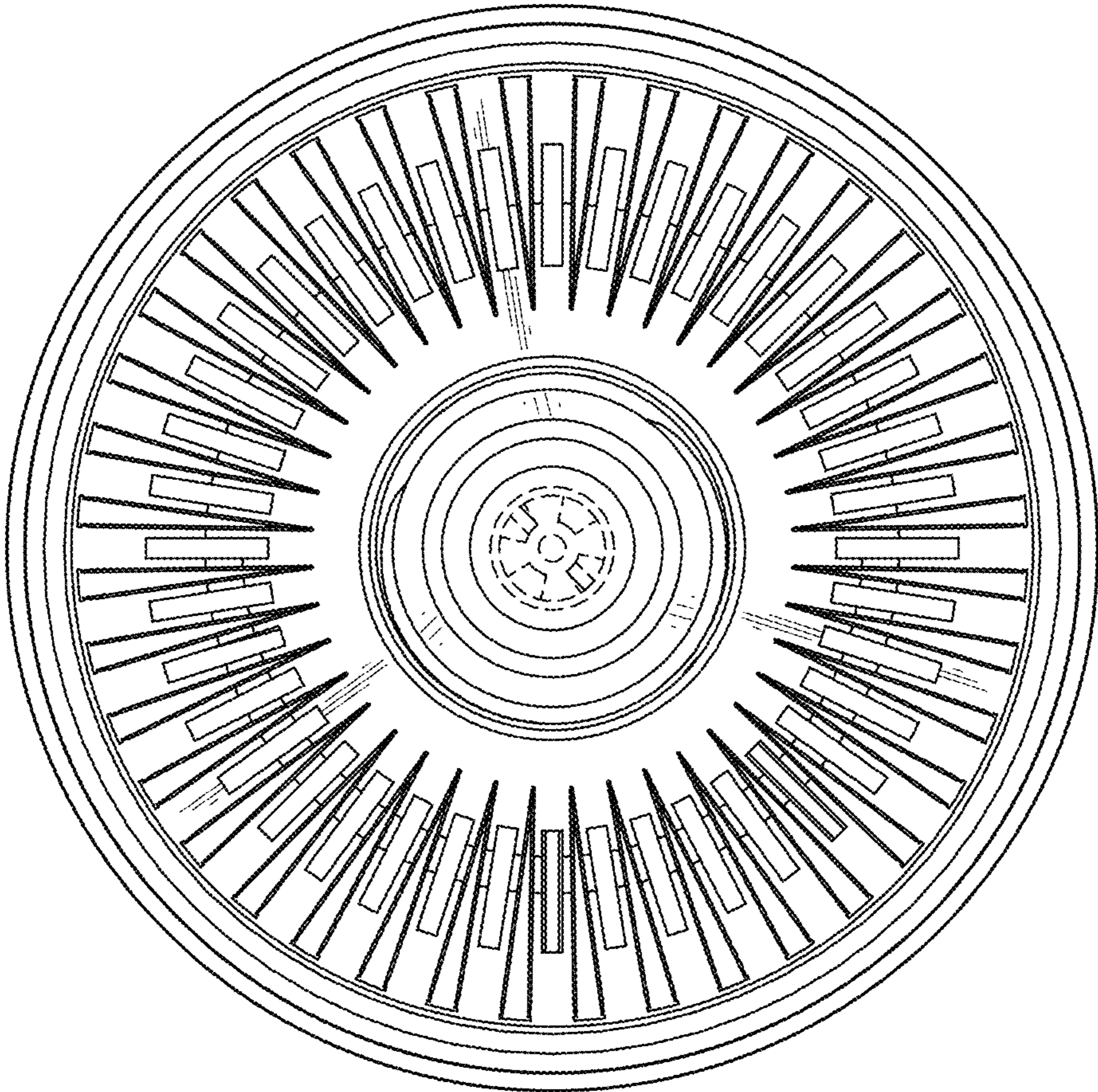


FIG. 6

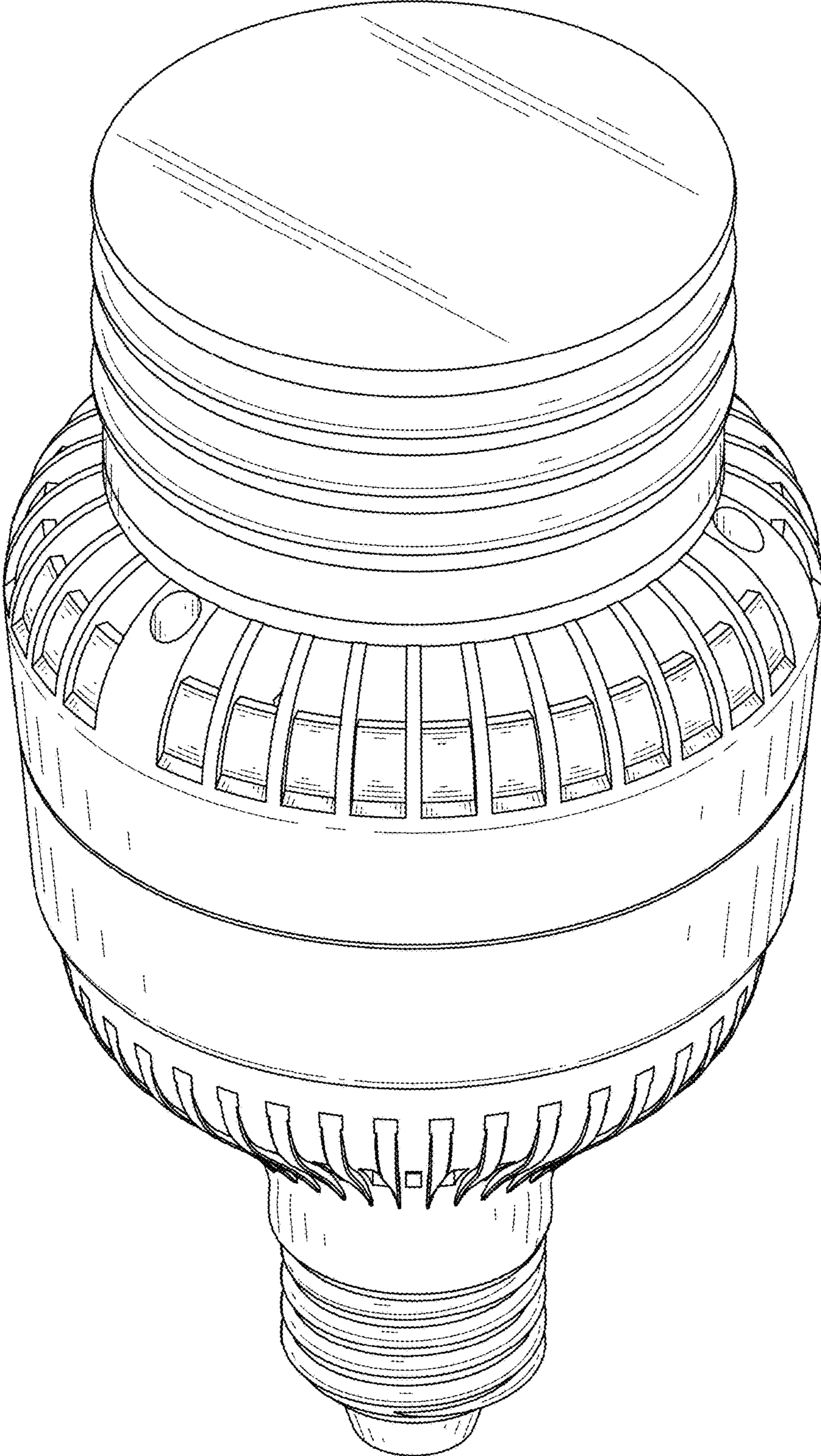


FIG. 7