



US00D819238S

(12) **United States Design Patent** (10) **Patent No.:** **US D819,238 S**
Su (45) **Date of Patent:** **** May 29, 2018**

(54) **CERAMIC METAL HALIDE LAMP**

D600,371 S * 9/2009 Genz D26/3
 D610,272 S * 2/2010 Guo D26/2
 D639,464 S * 6/2011 Li D26/2
 D644,766 S * 9/2011 Su D26/2

(71) Applicant: **Robert Su**, Chino, CA (US)

(72) Inventor: **Robert Su**, Chino, CA (US)

(**) Term: **15 Years**

* cited by examiner

(21) Appl. No.: **29/594,013**

Primary Examiner — Marcus Jackson
 (74) *Attorney, Agent, or Firm* — Raymond Y. Chan;
 David and Raymond Patent Firm

(22) Filed: **Feb. 15, 2017**

(51) **LOC (11) Cl.** **26-04**

(57) **CLAIM**

(52) **U.S. Cl.**
USPC **D26/2**

The ornamental design for a ceramic metal halide lamp, as shown and described.

(58) **Field of Classification Search**
 USPC D26/1-4; 313/313, 315, 316, 317, 318,
 313/493; 315/52, 53, 56, 57, 58
 CPC H01R 5/00; H01R 13/46; H01R 13/514;
 H01R 31/048; H01R 31/02; H01J 5/00;
 H01J 5/16; H01J 1/02; H01J 15/00; H01J
 5/48; H01J 5/50; H01J 19/54; F21V 5/00
 See application file for complete search history.

DESCRIPTION

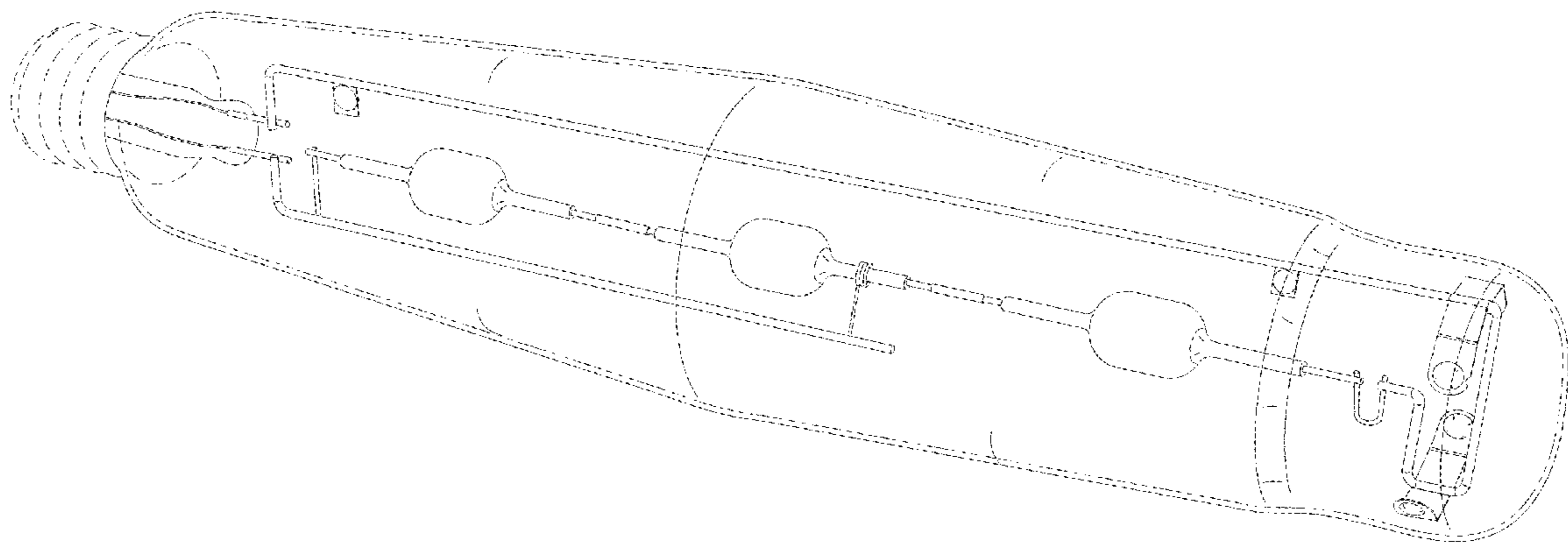
FIG. 1 is a perspective view of the ceramic metal halide lamp showing my new design;
 FIG. 2 is a front view of the ceramic metal halide lamp;
 FIG. 3 is a rear view of the ceramic metal halide lamp;
 FIG. 4 is a left view of the ceramic metal halide lamp;
 FIG. 5 is a right view of the ceramic metal halide lamp;
 FIG. 6 is a top view of the ceramic metal halide lamp; and,
 FIG. 7 is a bottom view of the ceramic metal halide lamp.

(56) **References Cited**

U.S. PATENT DOCUMENTS

D536,107 S * 1/2007 Egawa D26/2
 D543,288 S * 5/2007 Bembridge D26/2

1 Claim, 6 Drawing Sheets



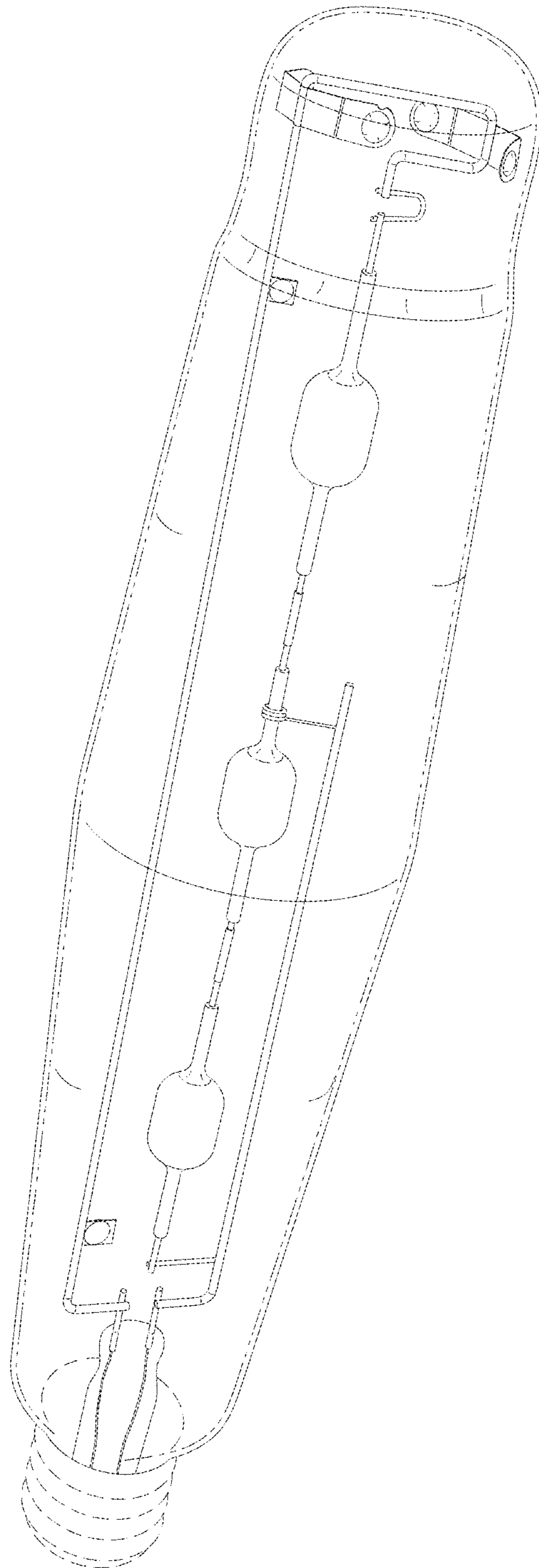


FIG.1

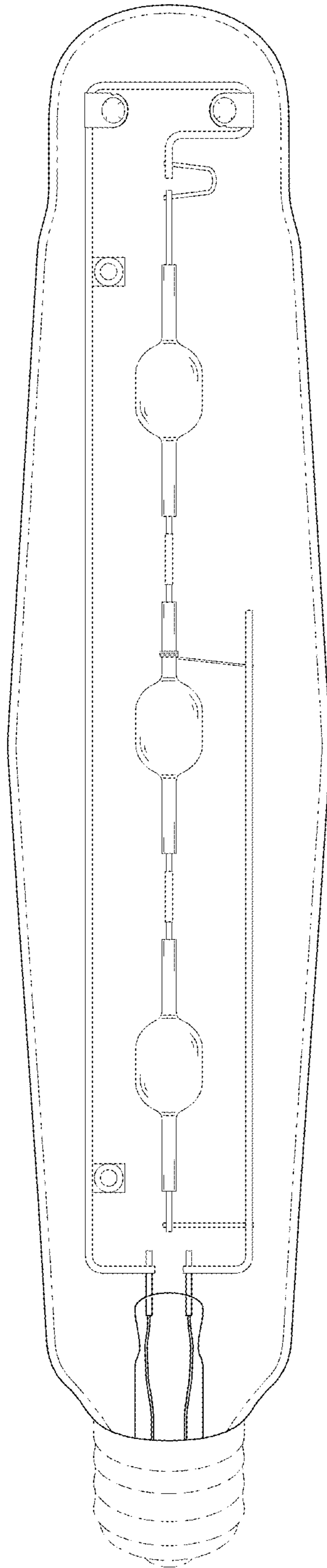


FIG.2

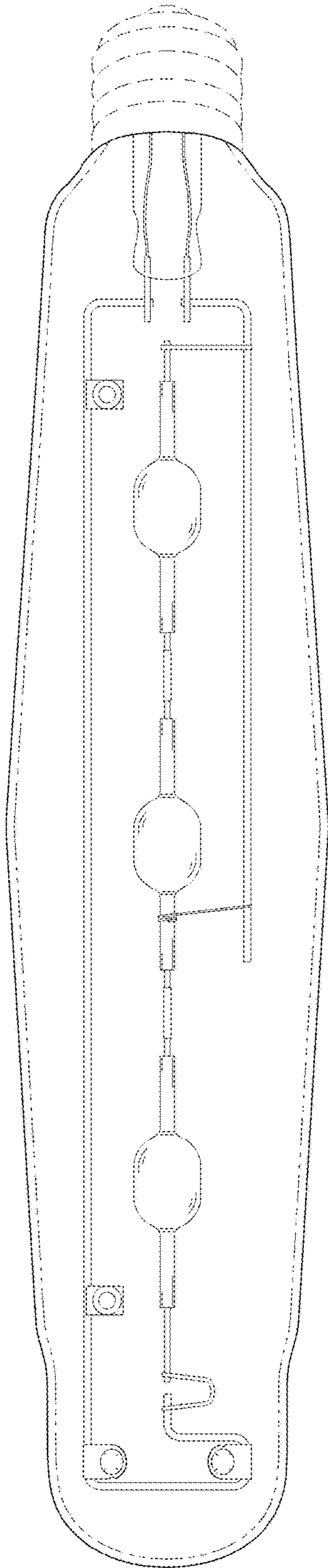


FIG.3

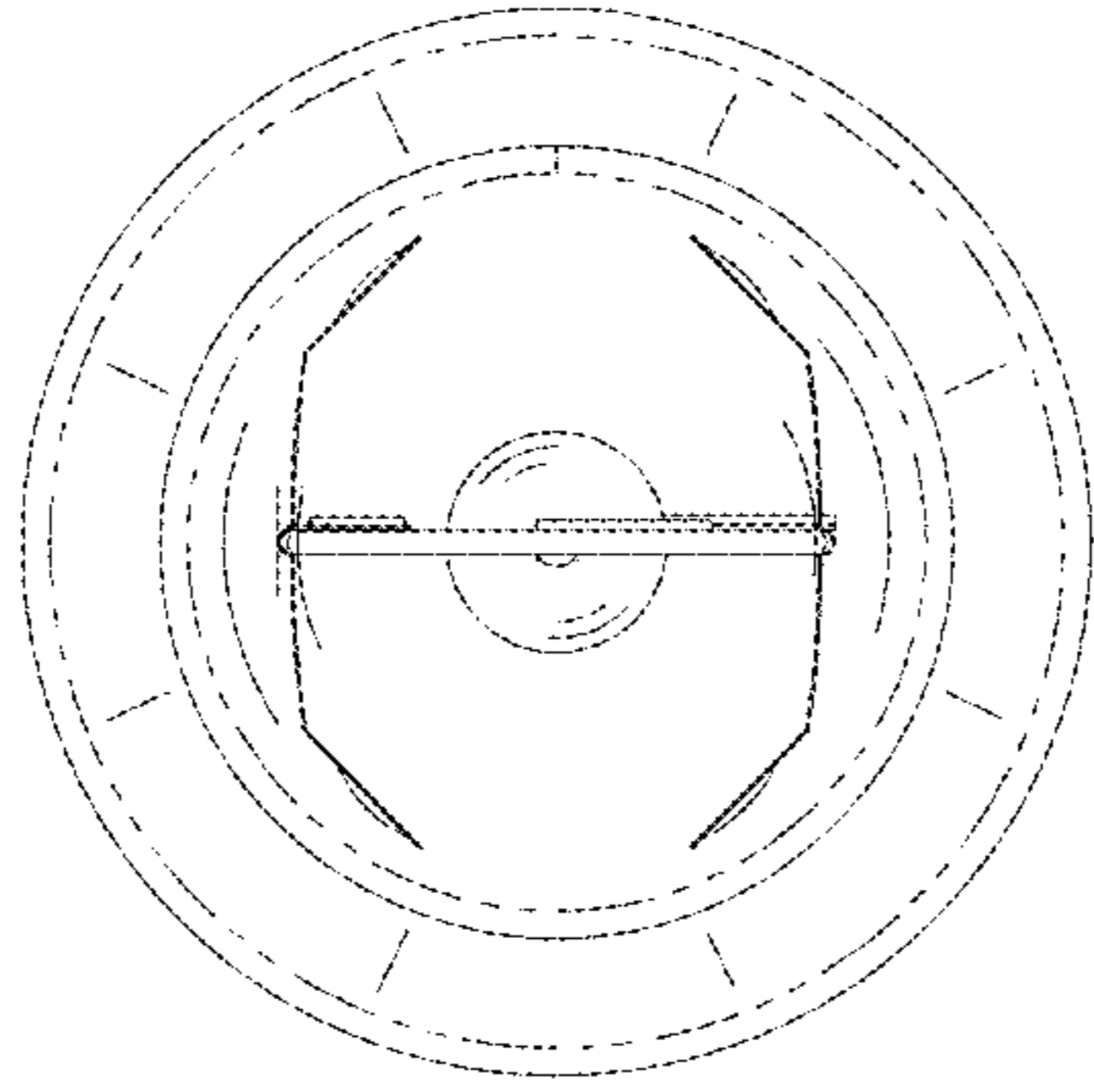


FIG.5

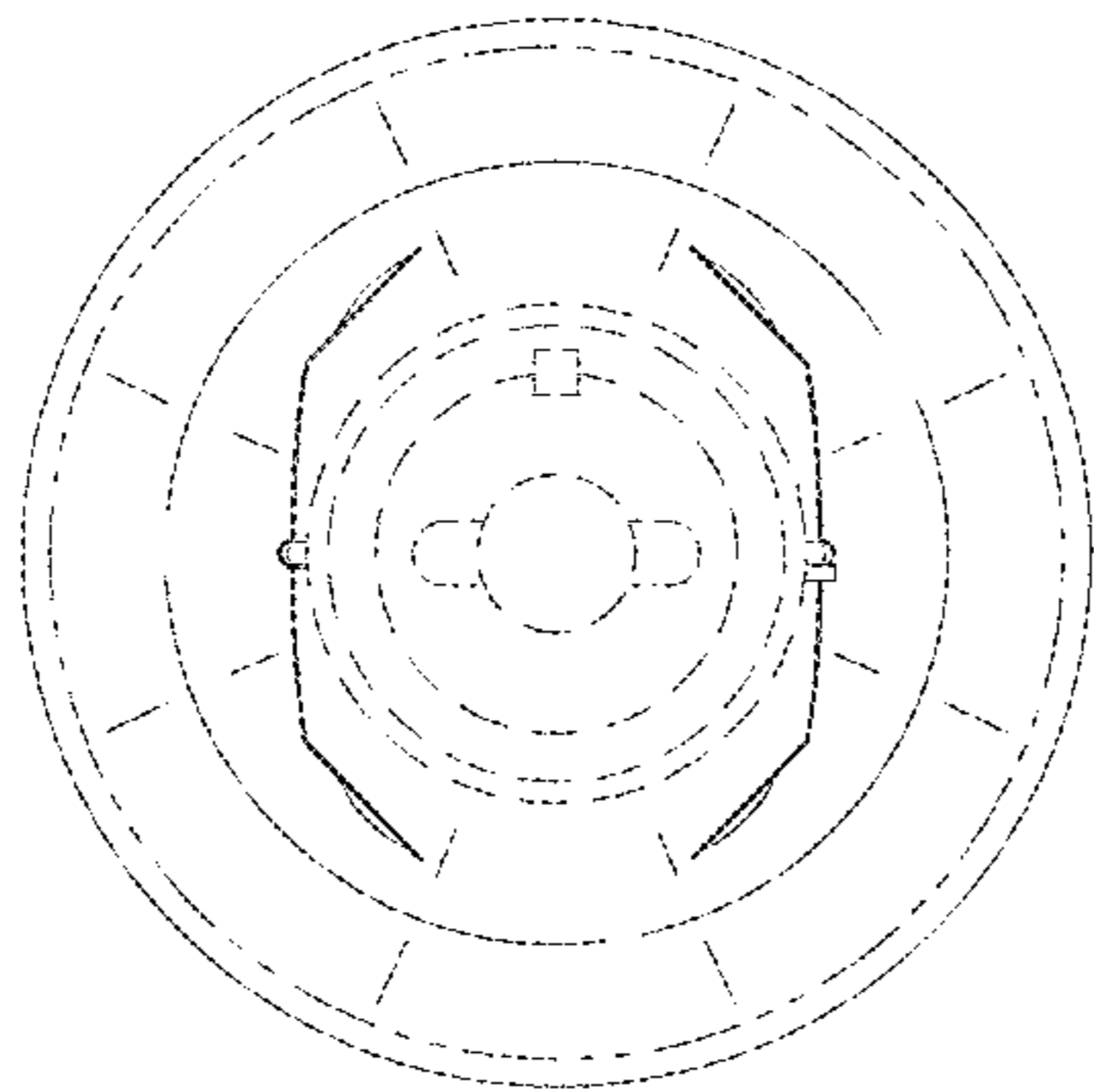


FIG.4

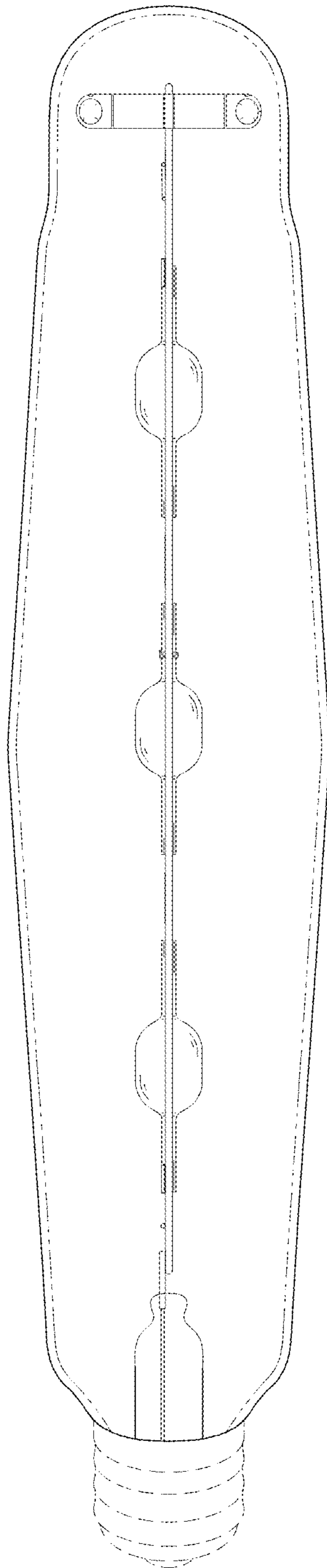


FIG.6

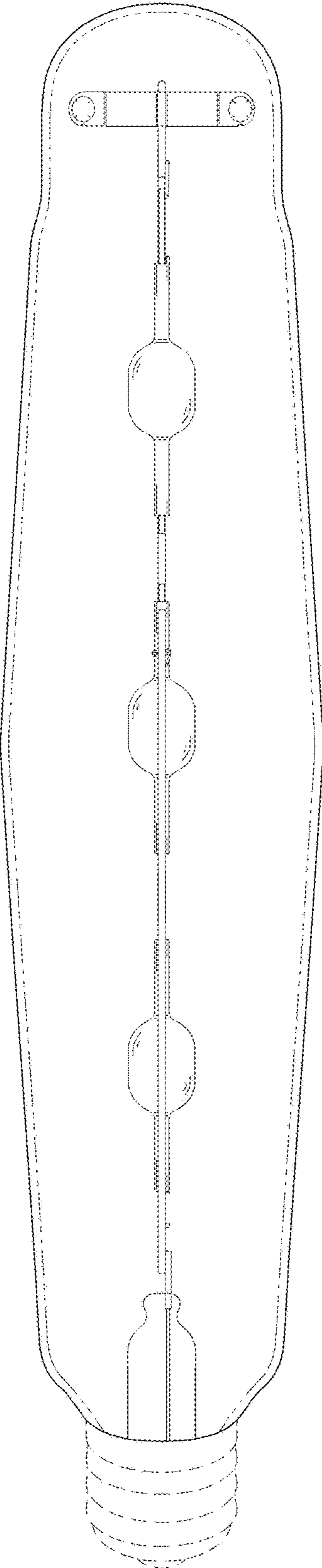


FIG.7