



US00D819237S

(12) **United States Design Patent**  
**MacDonald et al.**

(10) **Patent No.:** **US D819,237 S**  
(45) **Date of Patent:** **\*\* May 29, 2018**

- (54) **ROADWAY PANEL**
- (71) Applicant: **Faun Trackway Limited**, Llangefni, Isle of Anglesey, North Wales (GB)
- (72) Inventors: **Neil MacDonald**, Isle of Anglesey (GB); **Paul Godridge**, Isle of Anglesey (GB); **Gareth Williams**, Isle of Anglesey (GB)
- (73) Assignee: **FAUN TRACKWAY LIMITED**, Wales (GB)
- (\*\*) Term: **15 Years**

- 2,242,559 A \* 5/1941 Vissering ..... E01C 5/16  
404/27
- D257,322 S \* 10/1980 Pichelman ..... D32/31
- D257,557 S \* 11/1980 Rex ..... D12/51
- D270,092 S \* 8/1983 Lacasse ..... D25/123
- D307,260 S \* 4/1990 Happy ..... D13/102
- 5,292,208 A \* 3/1994 Berger ..... E02D 5/12  
405/274
- 5,941,655 A \* 8/1999 Jacobs ..... E01F 9/524  
116/63 R
- D426,321 S \* 6/2000 Lockwood ..... D25/138
- 6,126,360 A \* 10/2000 May ..... E01F 9/553  
404/14
- D511,677 S \* 11/2005 DeBiasio, Jr. .... D8/354
- 8,365,801 B1 \* 2/2013 Motosko ..... E06L 39/15  
160/133

(21) Appl. No.: **29/578,673**

(22) Filed: **Sep. 23, 2016**

(30) **Foreign Application Priority Data**

Mar. 23, 2016 (GB) ..... 003039528

(51) **LOC (11) Cl.** ..... **25-02**

(52) **U.S. Cl.**  
USPC ..... **D25/199**

(58) **Field of Classification Search**  
USPC ..... D5/1-4; D8/349, 354, 373; D10/111,  
D10/113.1; D25/138, 152, 163, 199  
CPC ..... E01C 11/005; E01C 11/16; E01C 11/24;  
E01C 11/245; E01C 5/16; E01C 9/08;  
E01C 9/086; E01D 19/083; E01D 22/00;  
B32B 3/30

See application file for complete search history.

(56) **References Cited**

**U.S. PATENT DOCUMENTS**

- 1,877,481 A \* 9/1932 Prouty ..... E04D 1/04  
428/163
- 1,983,412 A \* 12/1934 Smith ..... B21D 47/005  
29/6.1
- 2,230,506 A \* 2/1941 Vissering ..... E01C 5/16  
404/21

(Continued)

**OTHER PUBLICATIONS**

<http://fauntrackway.co.uk/access-and-environment/c40-trackway-solutions/> Uploaded Jun. 2016 (Year: 2016).\*

(Continued)

*Primary Examiner* — Susan Bennett Hattan  
*Assistant Examiner* — Leanna Was-Englehart  
(74) *Attorney, Agent, or Firm* — King & Schickli, PLLC

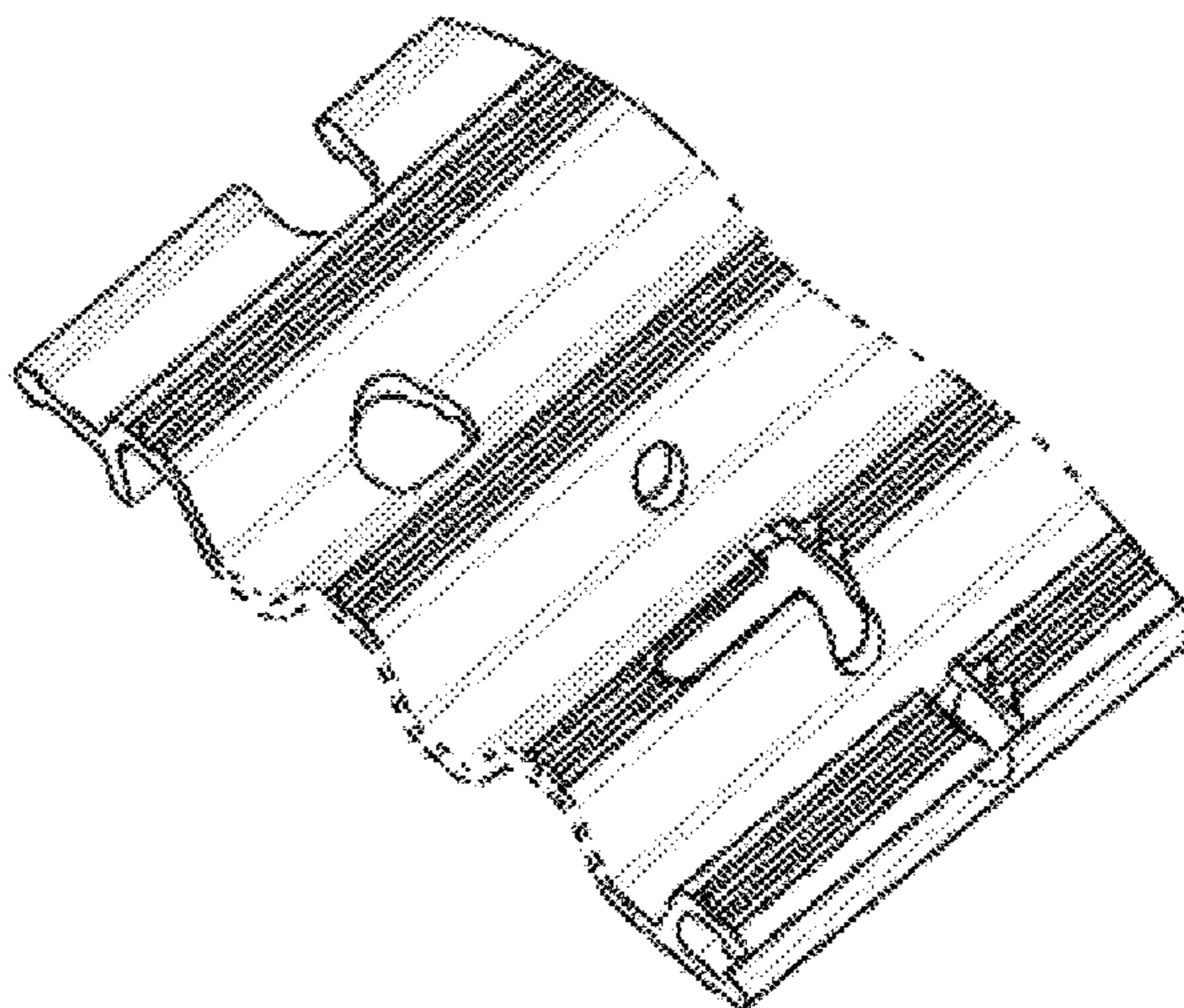
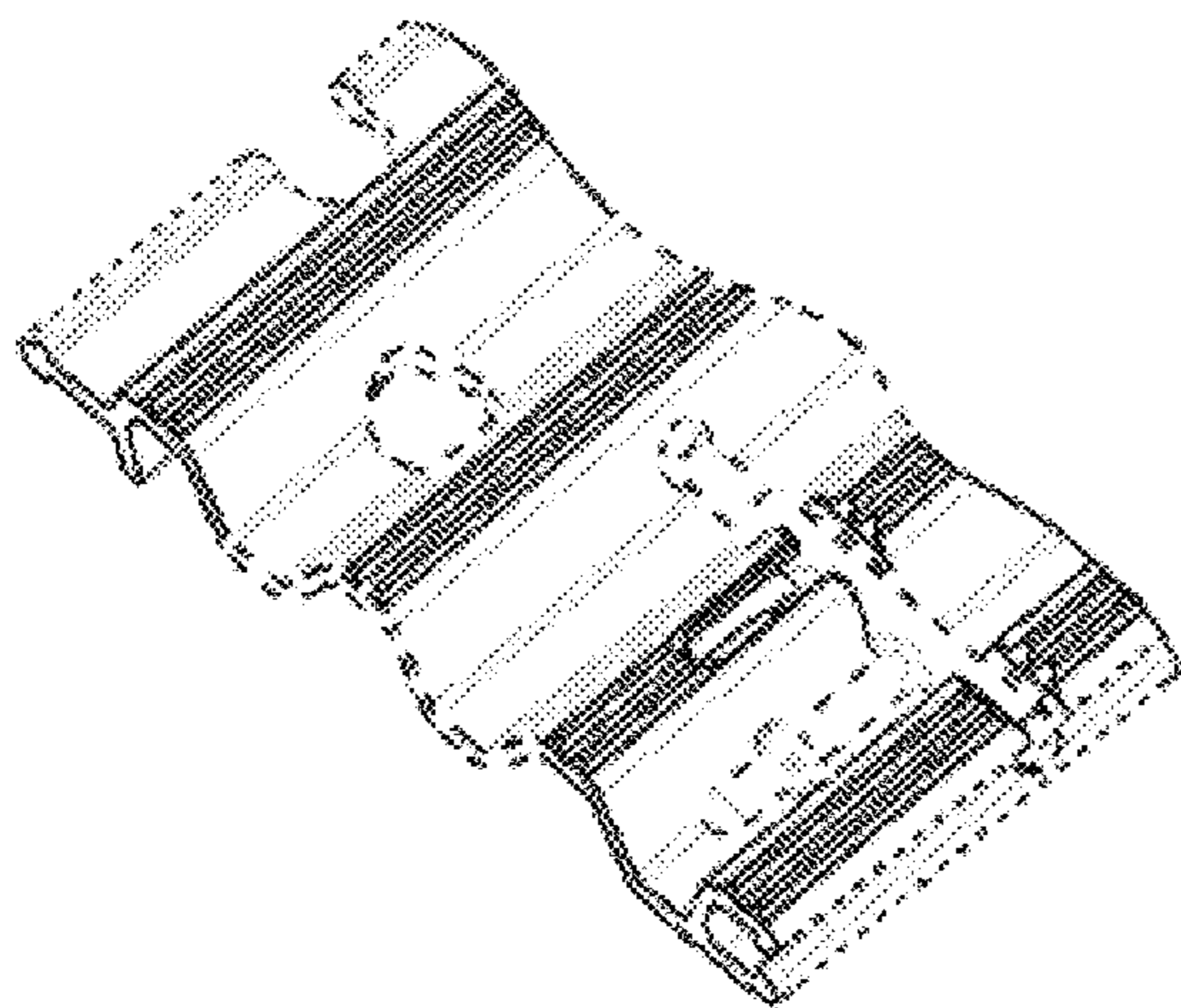
(57) **CLAIM**

The ornamental design for a roadway panel, as shown in the above-referenced drawings.

**DESCRIPTION**

FIG. 1 is a top perspective view of a first embodiment; FIG. 2 is a side view of the first embodiment; FIG. 3 is a top perspective view of the second embodiment; and, FIG. 4 is a side view of the second embodiment. The broken lines in the drawings depict portions of the roadway panel that form no part of the claimed design.

**1 Claim, 2 Drawing Sheets**



(56)

**References Cited**

U.S. PATENT DOCUMENTS

D725,748 S \* 3/2015 Lake ..... D23/259  
D738,538 S \* 9/2015 Lillejord ..... D25/138  
2003/0217467 A1\* 11/2003 Slutski ..... B29C 43/46  
29/897  
2008/0038058 A1\* 2/2008 Forrer ..... E01F 9/553  
404/14  
2015/0211196 A1\* 7/2015 Dixon ..... E01F 9/573  
404/10  
2015/0308054 A1\* 10/2015 Evelyn ..... E01C 5/22  
404/36  
2017/0282489 A1\* 10/2017 Greenfield ..... B32B 3/30

OTHER PUBLICATIONS

<https://www.youtube.com/watch?v=SQxzrGolcfc> Posted Nov. 27,  
2016 (Year: 2016).\*

\* cited by examiner

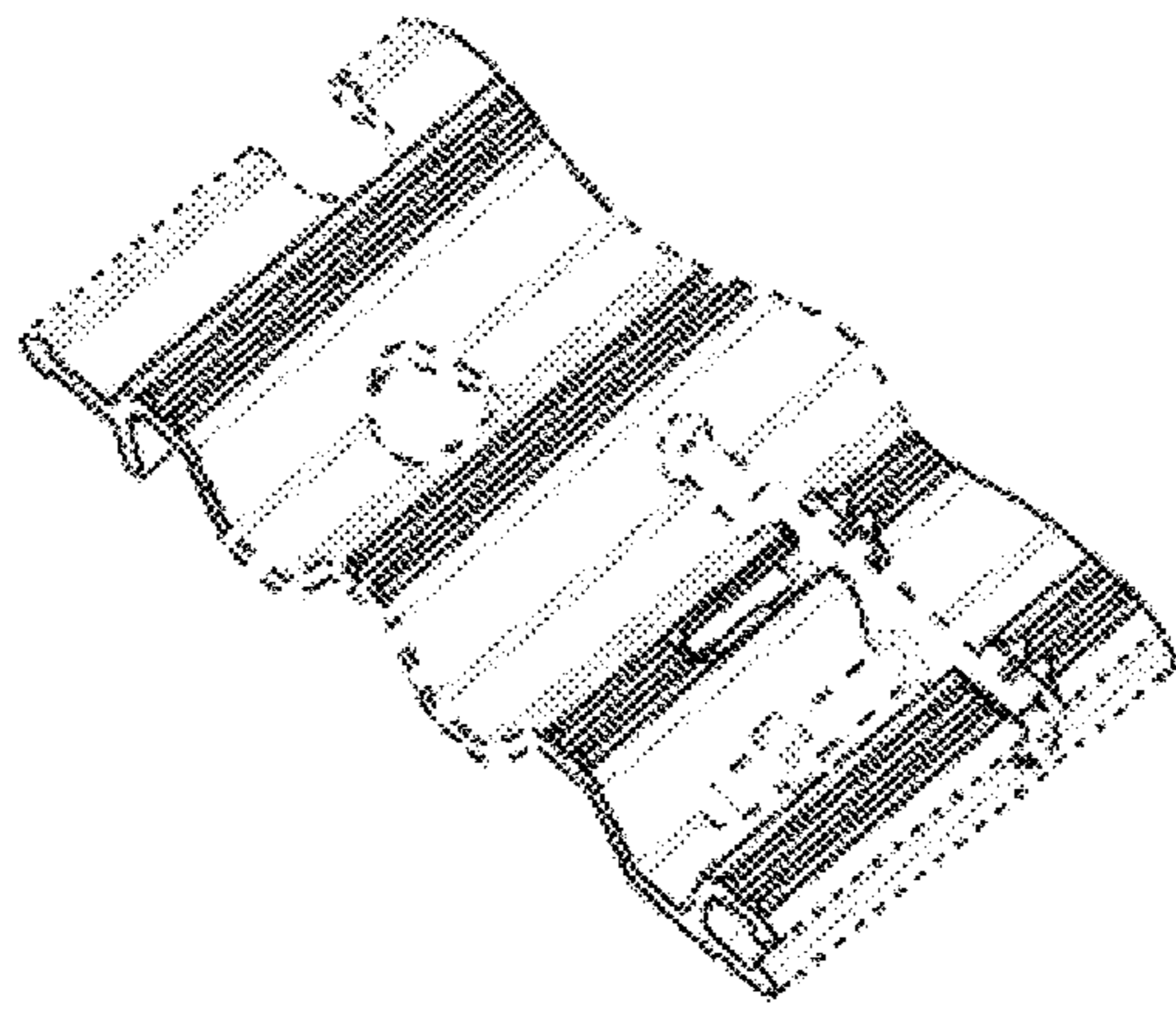


Fig. 1



Fig. 2

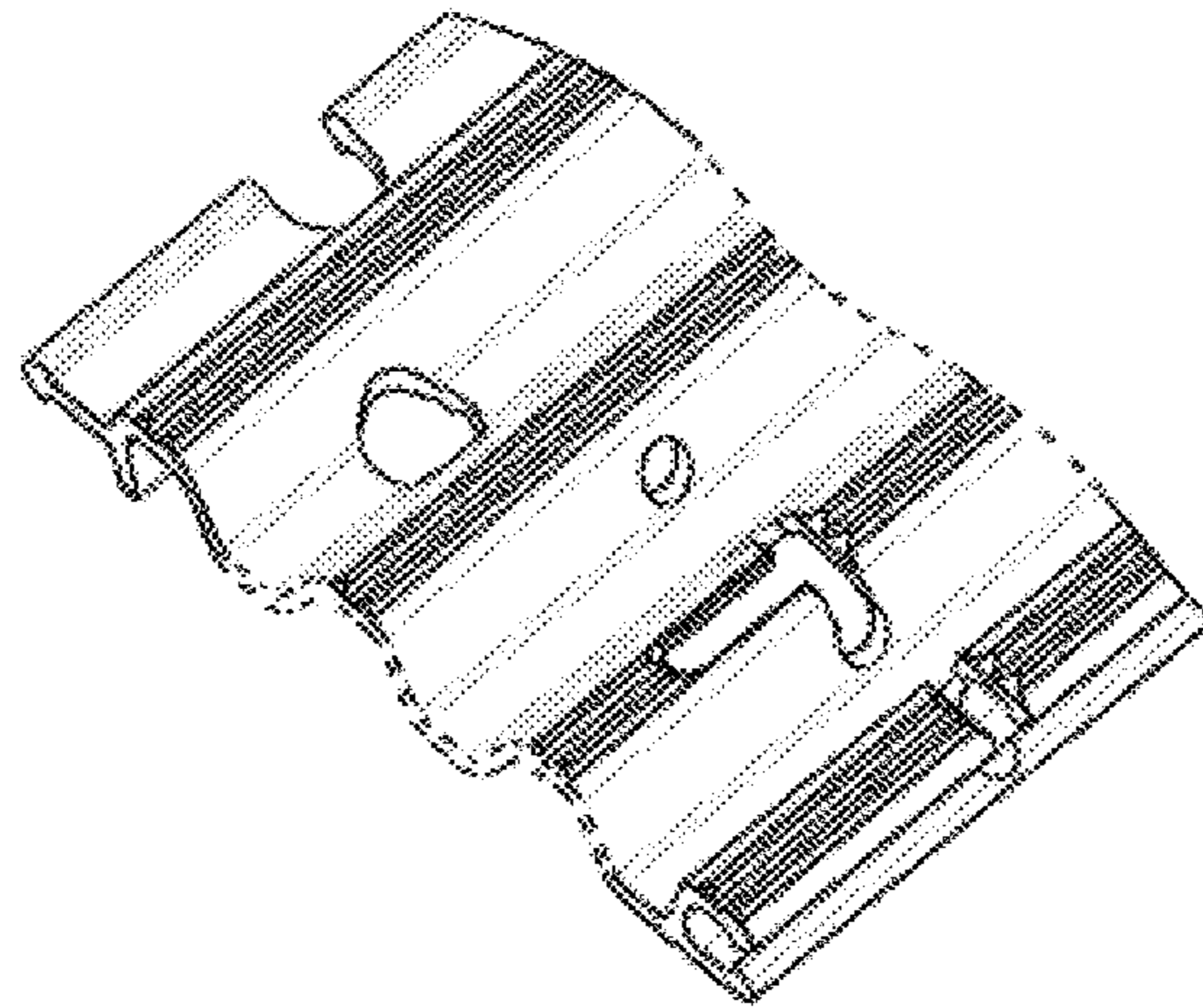


Fig. 3



Fig. 4