



US00D819229S

(12) **United States Design Patent** (10) **Patent No.:** **US D819,229 S**
Hoffman et al. (45) **Date of Patent:** **** May 29, 2018**

- (54) **FOLDING STAIRS**
- (71) Applicant: **RADIO SYSTEMS CORPORATION**,
Knoxville, TN (US)
- (72) Inventors: **Patrick Hoffman**, Arlington, TX (US);
David King, Allen, TX (US); **Thomas
Murphy**, Arlington, TX (US)
- (73) Assignee: **RADIO SYSTEMS CORPORATION**,
Knoxville, TN (US)
- (**) Term: **15 Years**
- (21) Appl. No.: **29/558,345**
- (22) Filed: **Mar. 16, 2016**
- (51) **LOC (11) Cl.** **25-04**
- (52) **U.S. Cl.**
USPC **D25/63**
- (58) **Field of Classification Search**
USPC D25/62-69, 2; 182/88, 95, 127, 166, 35,
182/115, 113, 151, 165, 23, 33-33.5, 106,
182/132, 97, 86, 92, 163, 20, 67.1, 67.4;
280/163, 166; 52/188, 182, 191, 741.2,
52/184, 190, 183; 119/847; D30/199
CPC E04F 11/062; E04F 11/06; E04F 11/04;
E04F 11/066; B60R 3/02
See application file for complete search history.

- 2007/0289556 A1* 12/2007 Hoffman A01K 1/035
119/847
- 2008/0157500 A1* 7/2008 Raley E06C 1/387
280/166
- 2009/0211845 A1* 8/2009 Hoffman E06C 1/16
182/165

* cited by examiner

Primary Examiner — Cynthia Ramirez

Assistant Examiner — Gino Colan

(74) *Attorney, Agent, or Firm* — Baker, Donelson,
Bearman, Caldwell & Berkowitz, PC

(57) **CLAIM**

The ornamental design for folding stairs, as shown and
described.

DESCRIPTION

FIG. 1 is a front perspective view of a folding stairs showing
my new design in an open position;
FIG. 2 is a rear perspective view thereof, in an open posi-
tion;
FIG. 3 is a front elevational view thereof, in an open
position;
FIG. 4 is a rear elevational view thereof, in an open position;
FIG. 5 is a left side elevational view thereof, in an open
position;
FIG. 6 is a perspective view thereof, in a folded position;
FIG. 7 is a top plan view thereof, in a folded position;
FIG. 8 is a side elevational view thereof, in a folded position;
and,
FIG. 9 is a bottom plan view thereof, in a folded position.
The evenly spaced dash-dot broken lines on the side rails
and steps shown in FIGS. 1-3 and 6-9 represent contours and
are part of the claimed design.
The broken lines shown in the figures are included for the
purpose of illustrating portions of the folding stairs and form
no part of the claimed design.

(56) **References Cited**

U.S. PATENT DOCUMENTS

- 5,505,476 A * 4/1996 Maccabee B60R 3/02
280/163
- 5,941,342 A * 8/1999 Lee B60R 3/02
182/127
- D449,895 S * 10/2001 Wilson D25/2
- D698,463 S * 1/2014 Porter D25/63
- 8,668,216 B2 * 3/2014 Ellement E06C 5/28
182/127
- D742,079 S * 10/2015 Jakubowski D30/199

1 Claim, 6 Drawing Sheets

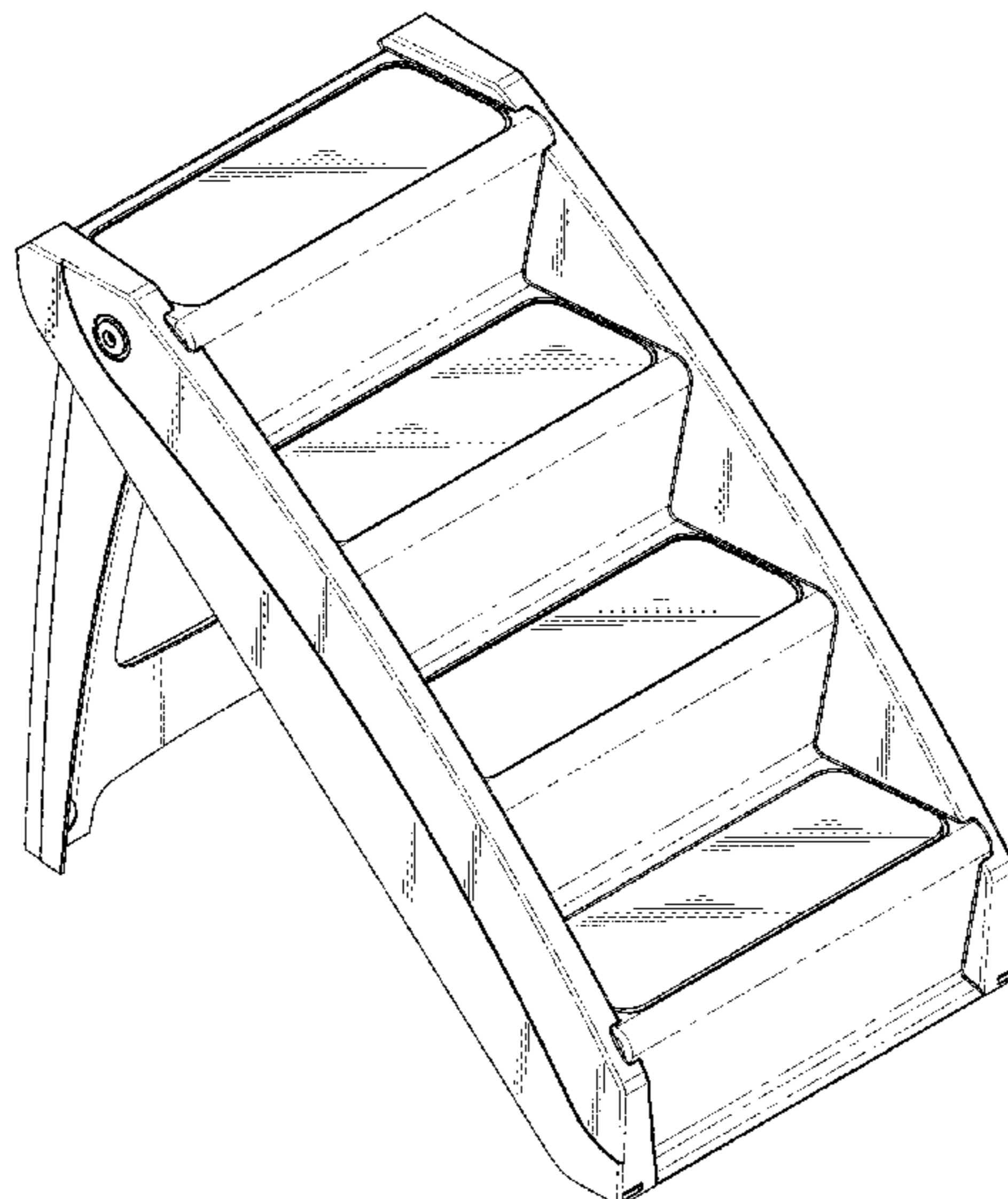




FIG. 1

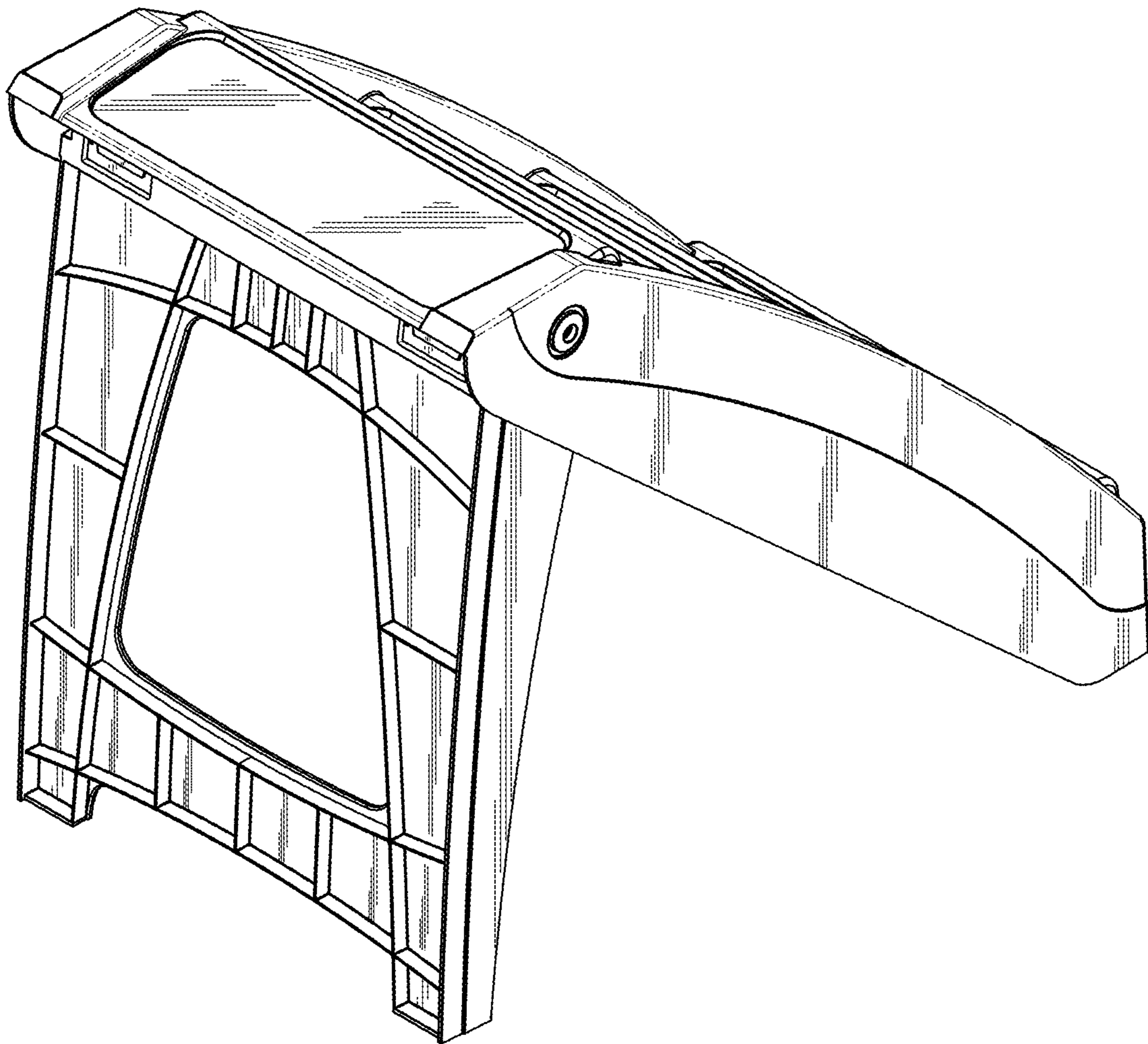


FIG. 2

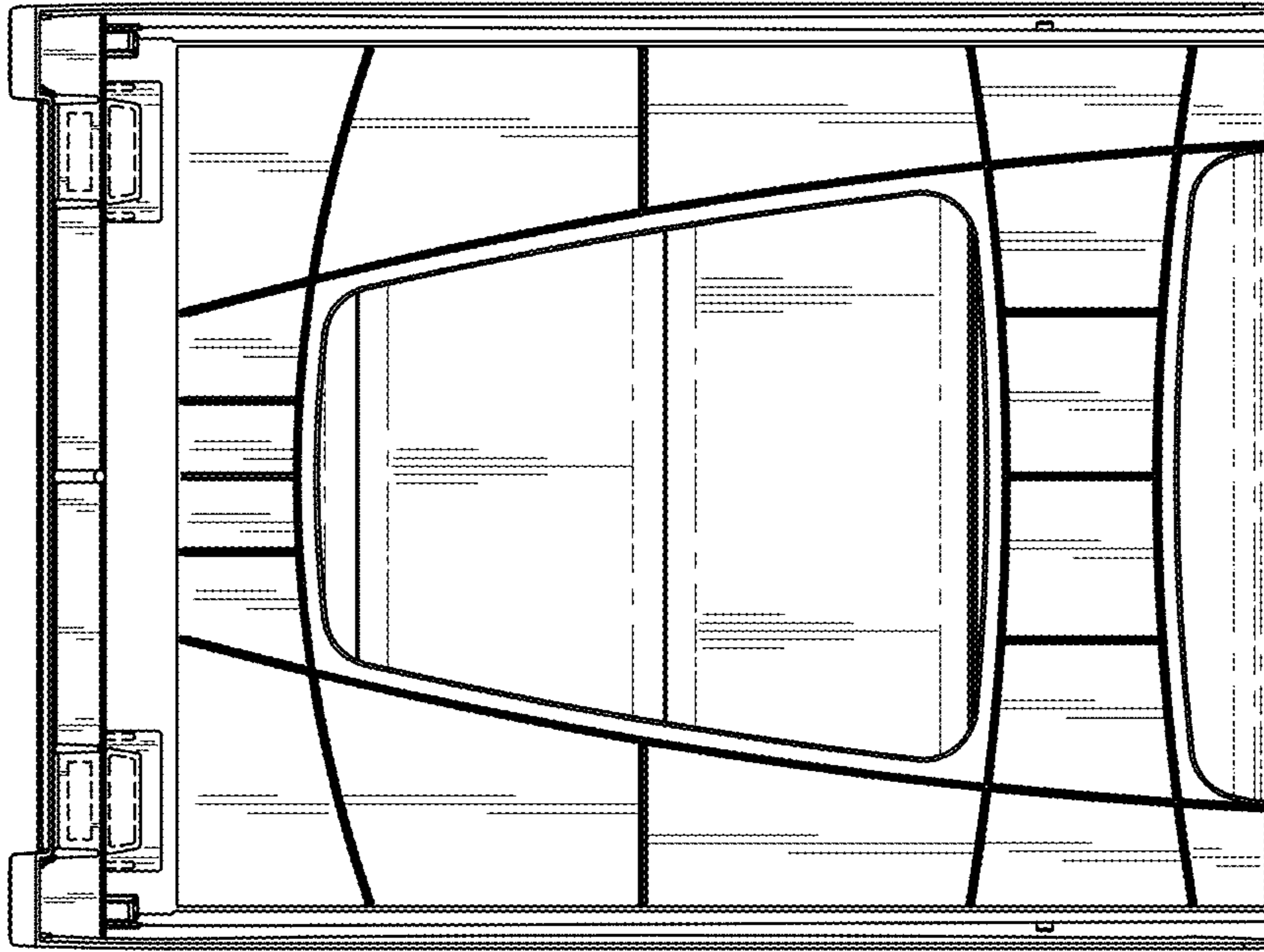


FIG. 4

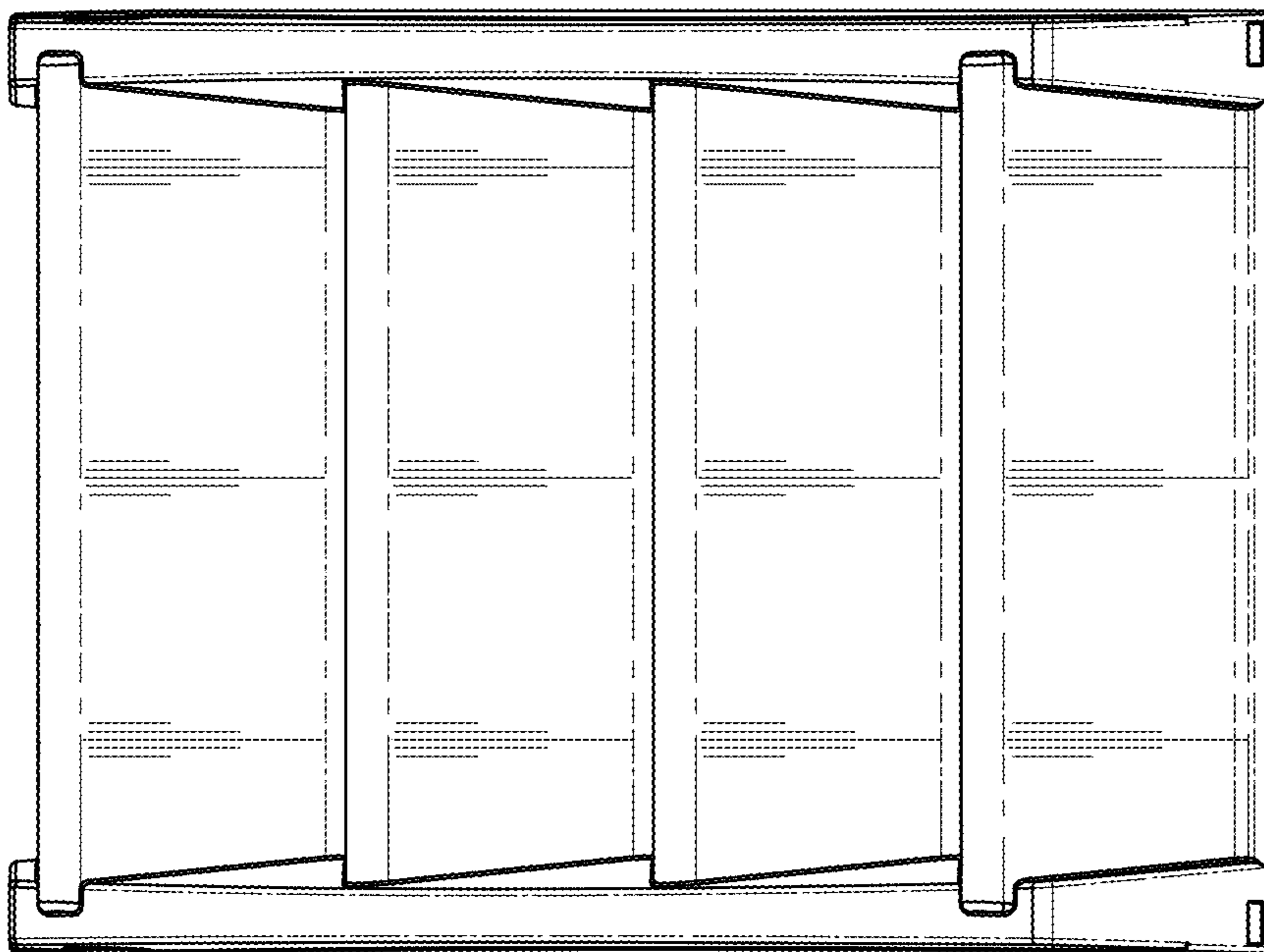


FIG. 3

FIG. 5

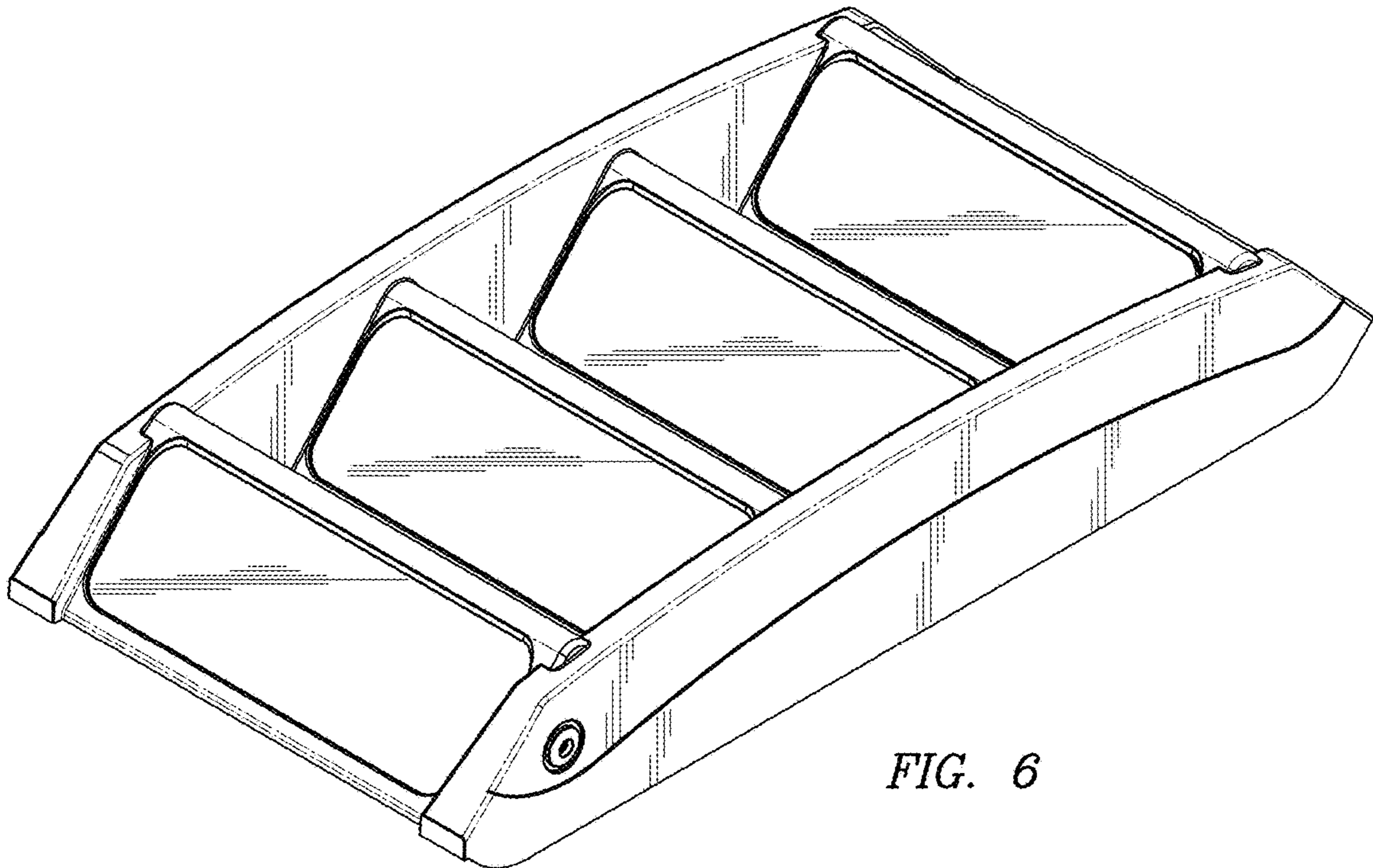
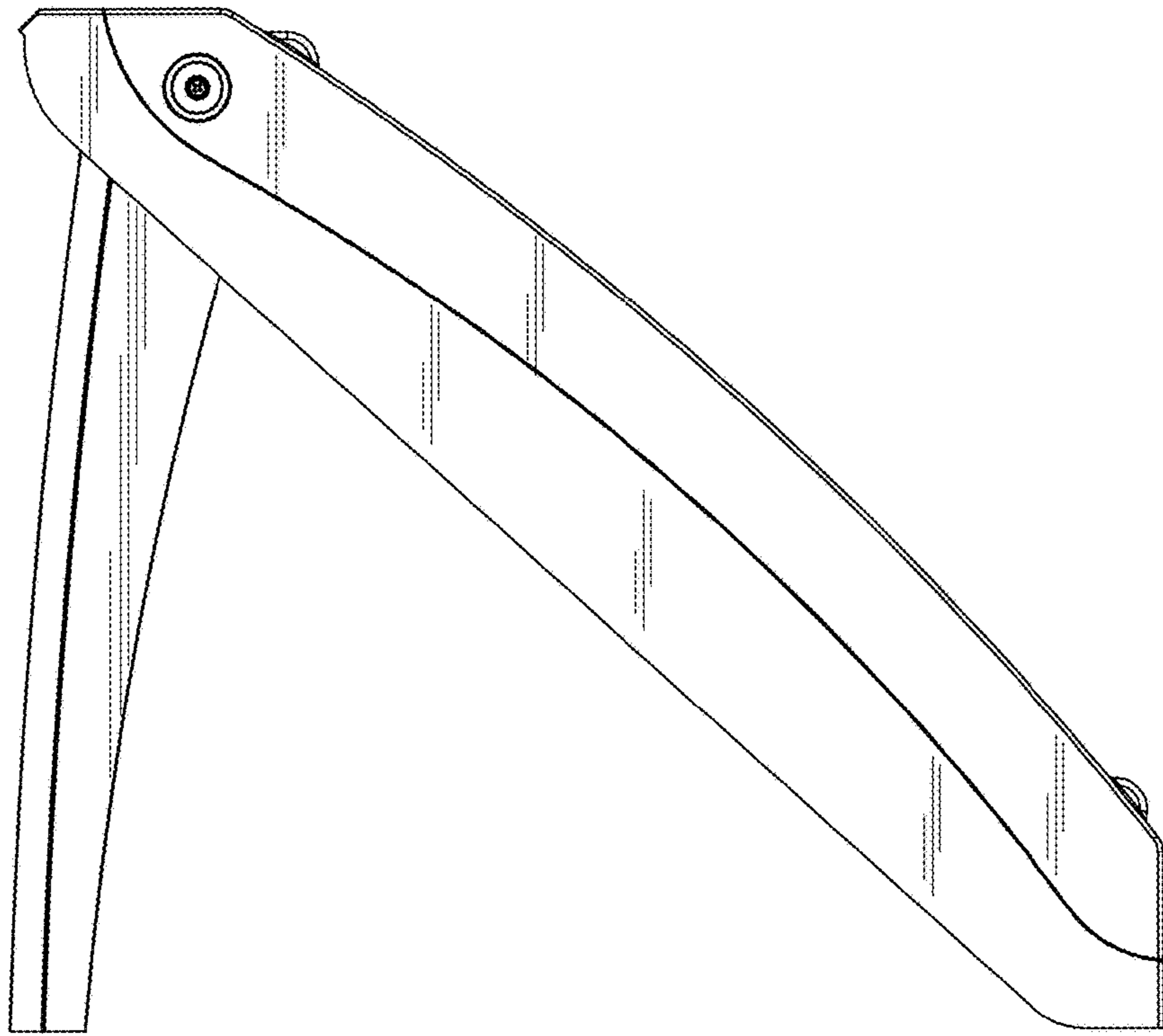


FIG. 6

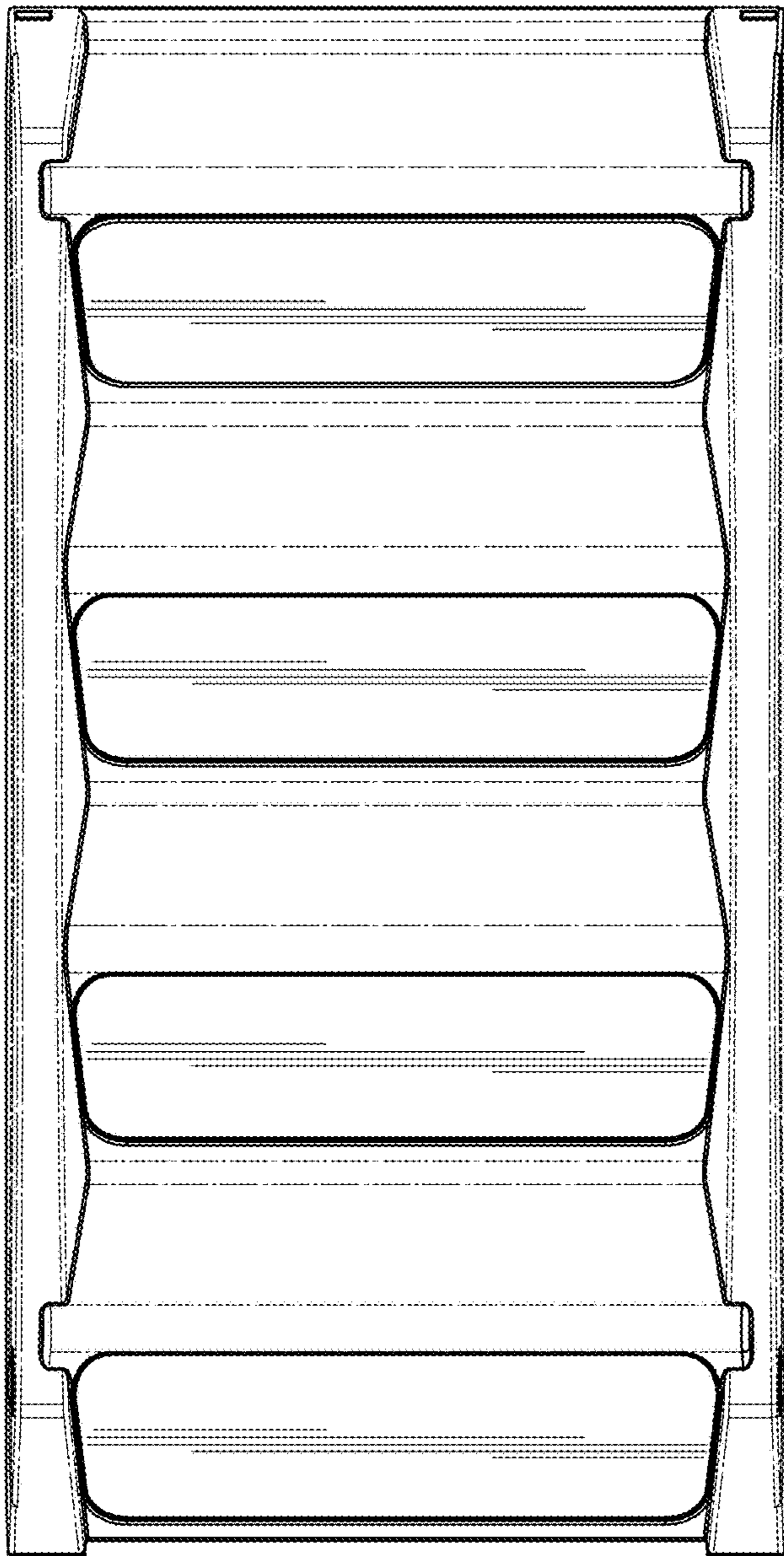


FIG. 7

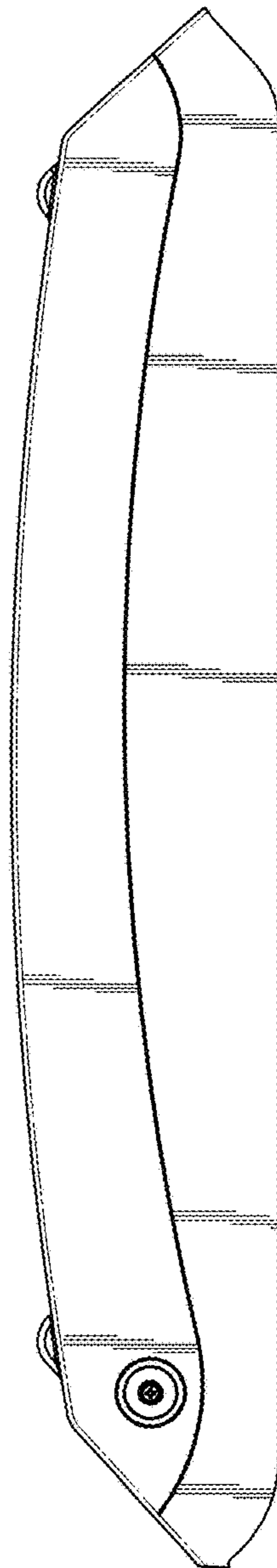


FIG. 8

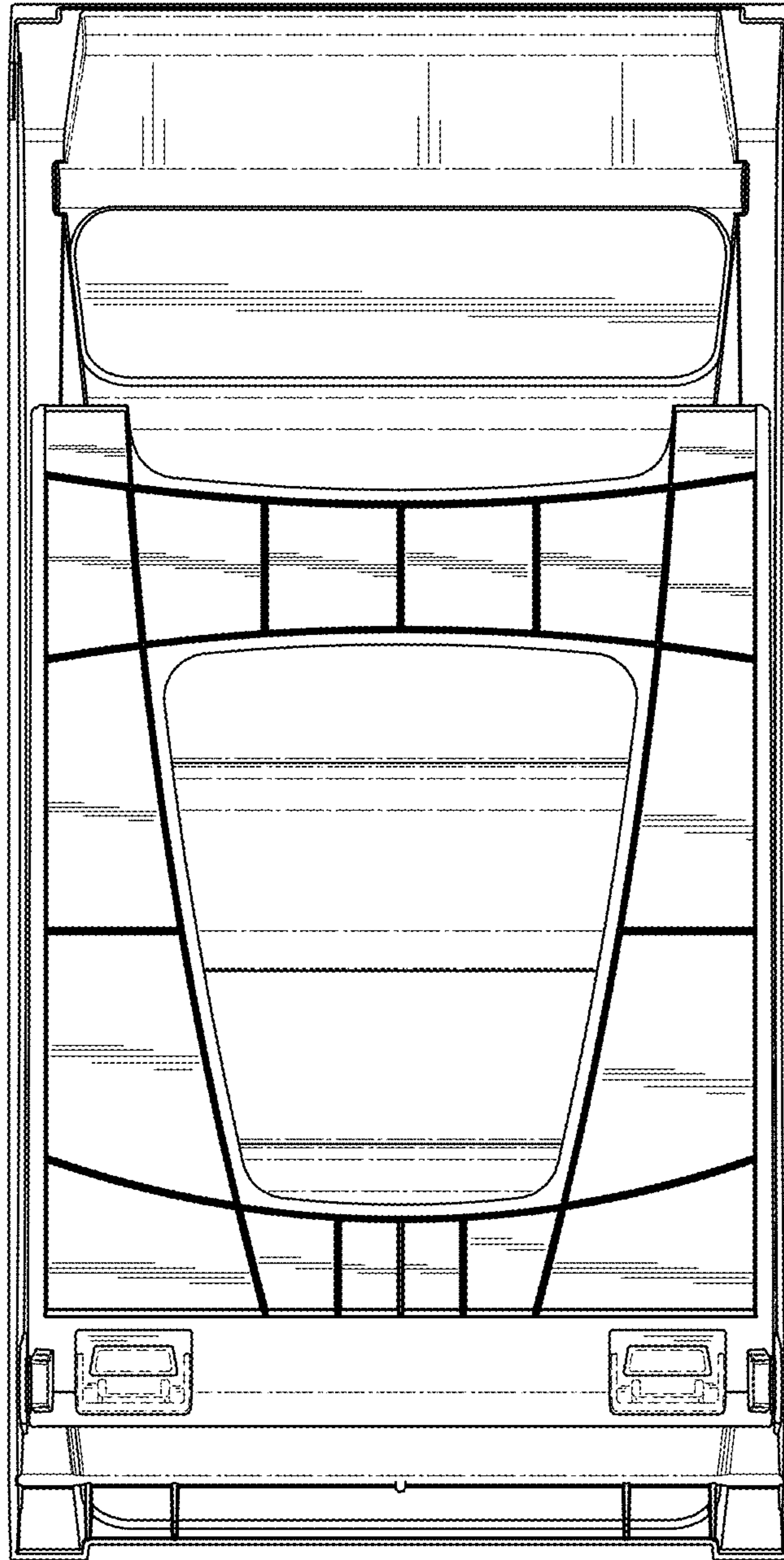


FIG. 9