



US00D819225S

(12) **United States Design Patent** (10) **Patent No.:** **US D819,225 S**  
**Mead et al.** (45) **Date of Patent:** **\*\* May 29, 2018**

(54) **CAPILLARY ELECTROPHORESIS INSTRUMENT**

(71) Applicant: **LIFE TECHNOLOGIES CORPORATION**, Carlsbad, CA (US)

(72) Inventors: **Joshua Mead**, San Diego, CA (US); **Xin Mathers**, Poway, CA (US); **Sandro Klein**, Irvine, CA (US)

(73) Assignee: **Life Technologies Corporation**, Carlsbad, CA (US)

(\*\*) Term: **15 Years**

(21) Appl. No.: **29/591,445**

(22) Filed: **Jan. 19, 2017**

(51) **LOC (11) Cl.** ..... **24-01**

(52) **U.S. Cl.**  
USPC ..... **D24/233**

(58) **Field of Classification Search**  
USPC ..... D24/186, 107–108, 169, 216–219, D24/223–225, 229–233; D10/81; 422/63–64, 68.1, 85.05, 82.05, 554, 561, 422/565, 420; 435/287.2  
CPC ..... Y10S 436/806; Y10S 436/809; Y10S 977/918; B01D 15/3804; B01D 15/10; B01D 15/3809; B01D 15/3857; B01L  
(Continued)

(56) **References Cited**

U.S. PATENT DOCUMENTS

D687,968 S 8/2013 Trigg et al.  
D706,420 S \* 6/2014 Yoshida ..... D24/138  
(Continued)

*Primary Examiner* — Anhdao Doan  
*Assistant Examiner* — Mary Malley

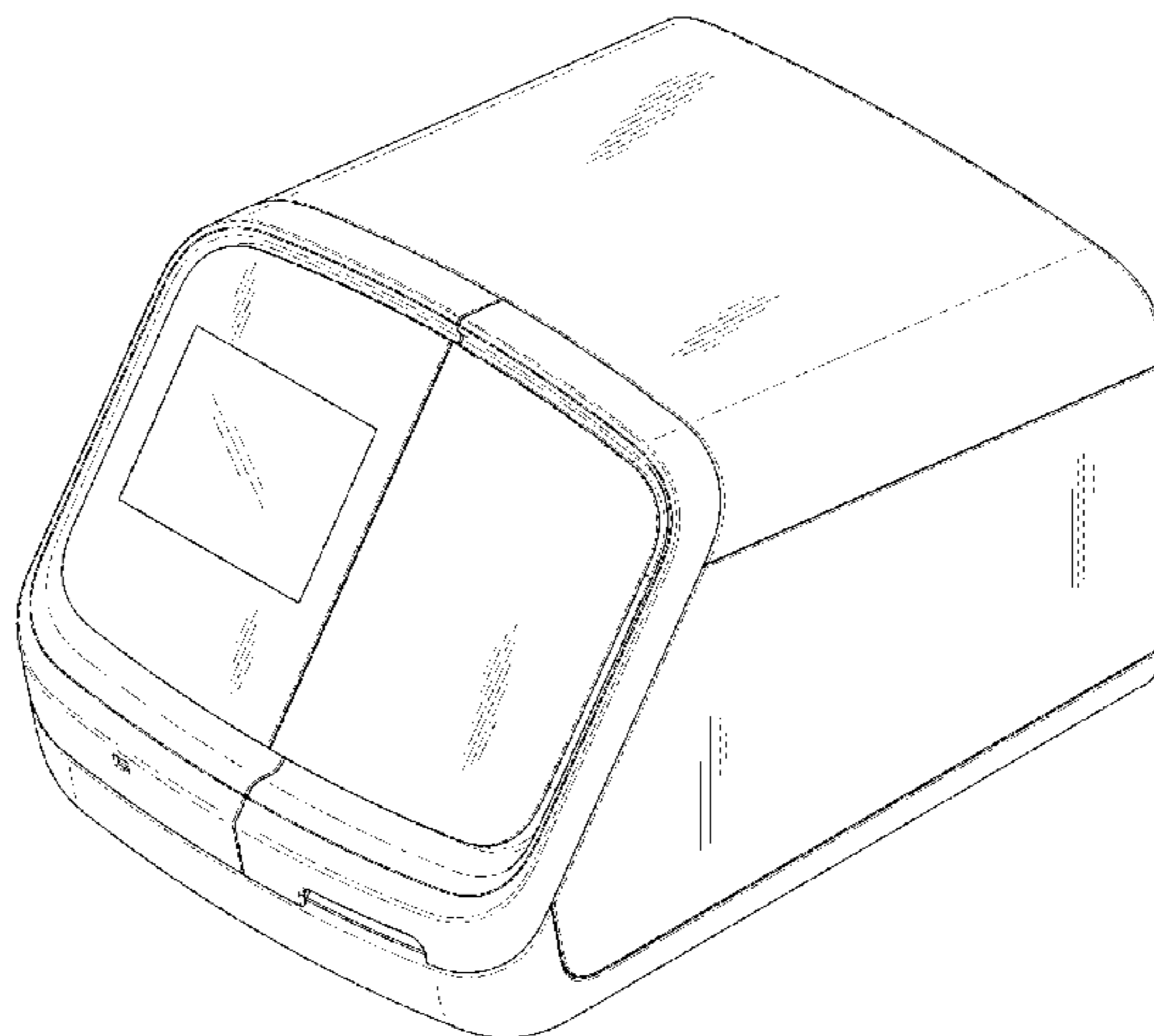
(57) **CLAIM**

The ornamental design for a capillary electrophoresis instrument, as shown and described.

**DESCRIPTION**

FIG. 1 is a front perspective view of a first embodiment of a capillary electrophoresis instrument.  
FIG. 2 is a front view of the capillary electrophoresis instrument shown in FIG. 1.  
FIG. 3 is a back view of the capillary electrophoresis instrument shown in FIG. 1.  
FIG. 4 is a side view of the capillary electrophoresis instrument shown in FIG. 1.  
FIG. 5 is a side view of the capillary electrophoresis instrument shown in FIG. 1.  
FIG. 6 is a top view of the capillary electrophoresis instrument shown in FIG. 1.  
FIG. 7 is a bottom view of the capillary electrophoresis instrument shown in FIG. 1.  
FIG. 8 is a front perspective view of the capillary electrophoresis instrument shown in FIG. 1 with a door in an open position.  
FIG. 9 is a front perspective view of a second embodiment of a capillary electrophoresis instrument.  
FIG. 10 is a front view of the capillary electrophoresis instrument shown in FIG. 9.  
FIG. 11 is a back view of the capillary electrophoresis instrument shown in FIG. 9.  
FIG. 12 is a side view of the capillary electrophoresis instrument shown in FIG. 9.  
FIG. 13 is a side view of the capillary electrophoresis instrument shown in FIG. 9.  
FIG. 14 is a top view of the capillary electrophoresis instrument shown in FIG. 9.  
FIG. 15 is a bottom view of the capillary electrophoresis instrument shown in FIG. 9; and,  
FIG. 16 is a front perspective view of the capillary electrophoresis instrument shown in FIG. 9 with a door in an open position.  
The broken lines shown in the drawings illustrate portions of the capillary electrophoresis instrument that form no part of the claimed design.

**1 Claim, 16 Drawing Sheets**



(58) **Field of Classification Search**

CPC ..... 2300/0867; B01L 7/52; G06K 9/00127;  
G01N 33/53; G01N 2035/00306; G01N  
2035/00326; G01N 2035/00336; G01N  
2035/00366

See application file for complete search history.

(56) **References Cited**

U.S. PATENT DOCUMENTS

D728,125 S 4/2015 Trigg et al.  
D733,917 S \* 7/2015 Klein ..... D24/232  
D737,702 S \* 9/2015 Selberg ..... D10/81  
9,205,379 B2 \* 12/2015 Latham ..... G01N 27/44739  
D753,311 S \* 4/2016 Long ..... D24/186  
D762,860 S \* 8/2016 He ..... D24/186  
D766,761 S \* 9/2016 Klein ..... D10/81  
D775,365 S 12/2016 Mathers et al.  
2013/0337432 A1 \* 12/2013 Cook ..... G01N 21/66  
435/2  
2015/0130463 A1 \* 5/2015 Wellman ..... G01N 24/08  
324/321  
2016/0228876 A1 \* 8/2016 Chu ..... C12Q 1/6806

\* cited by examiner

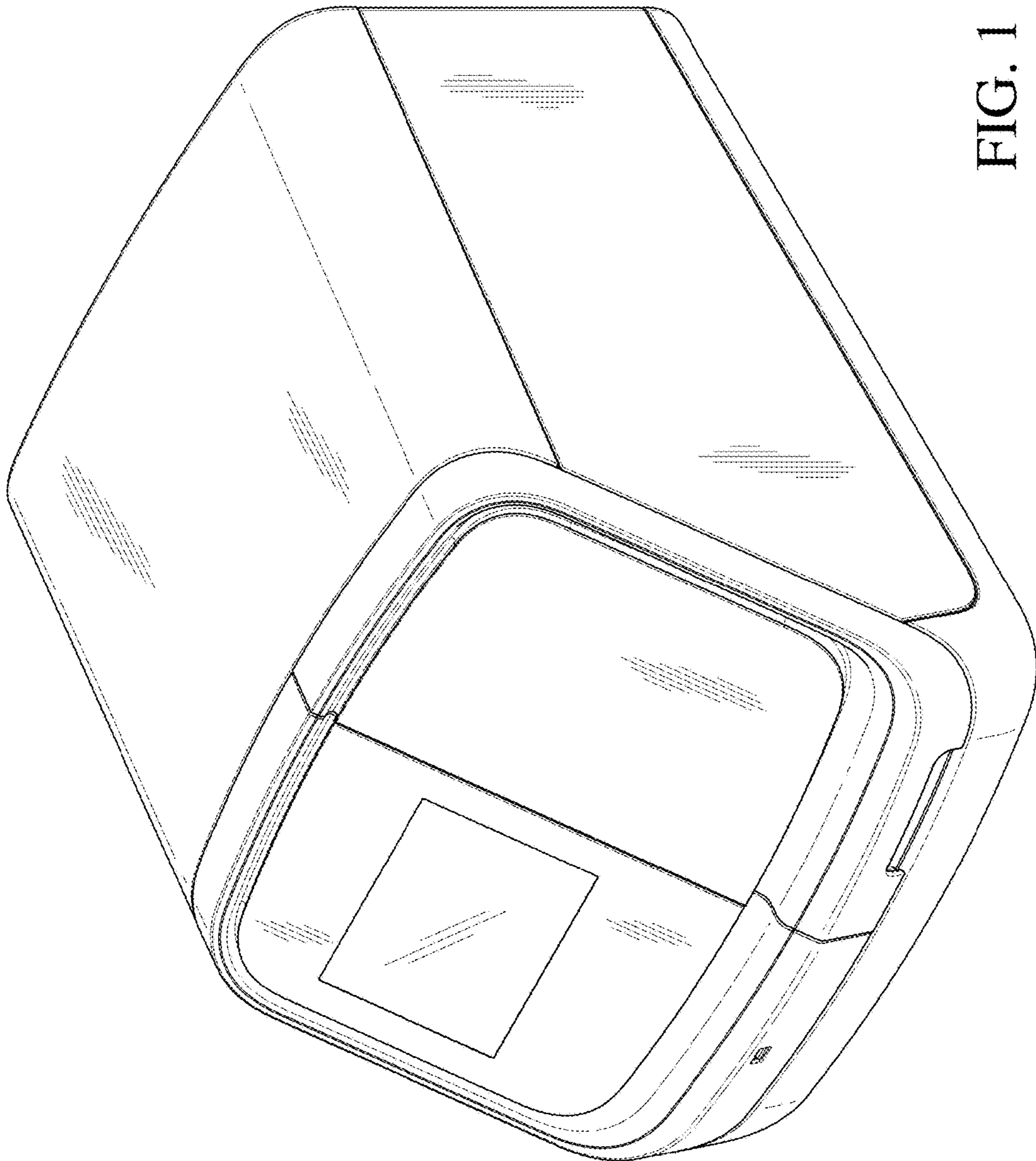


FIG. 1

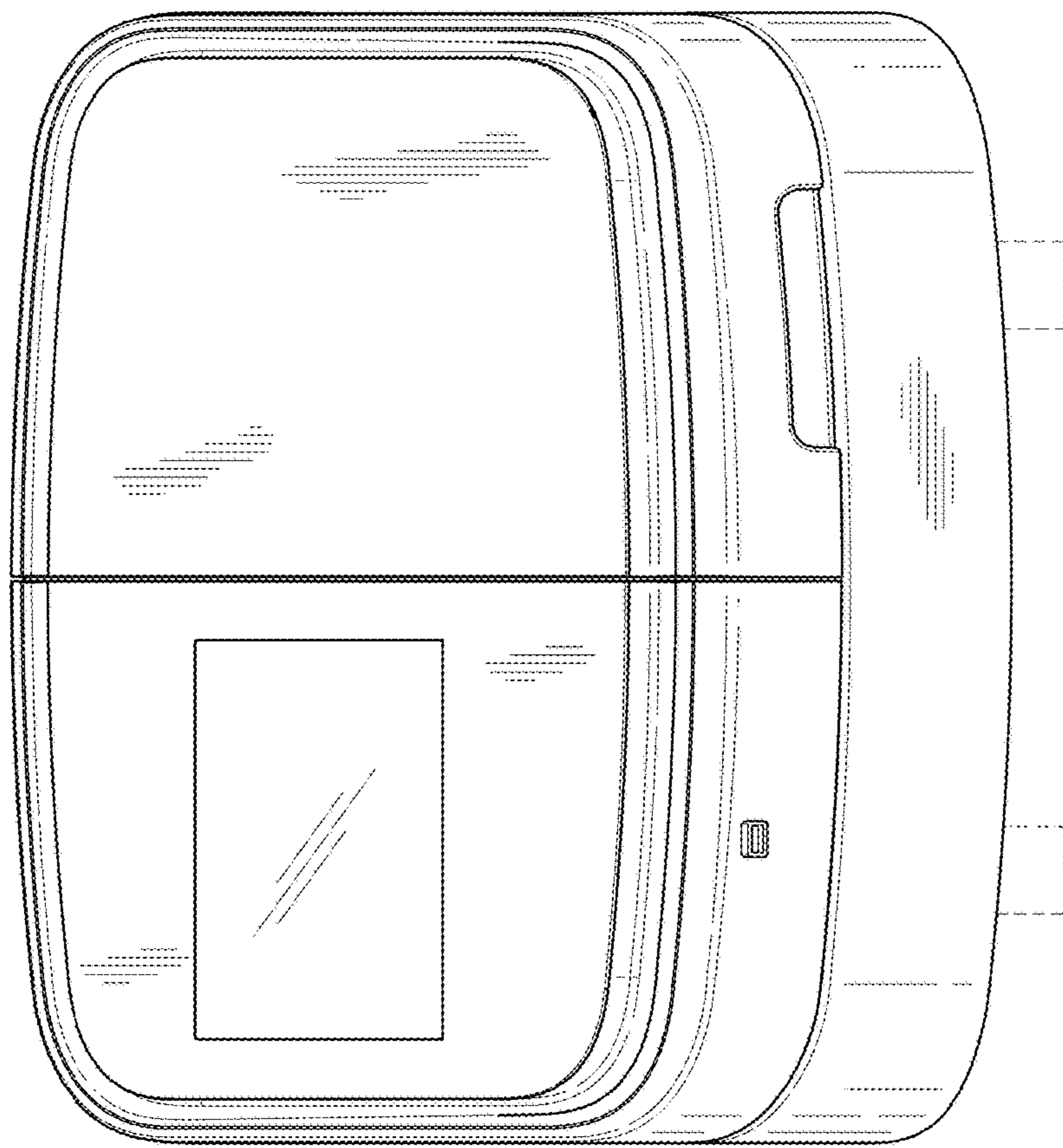


FIG. 2

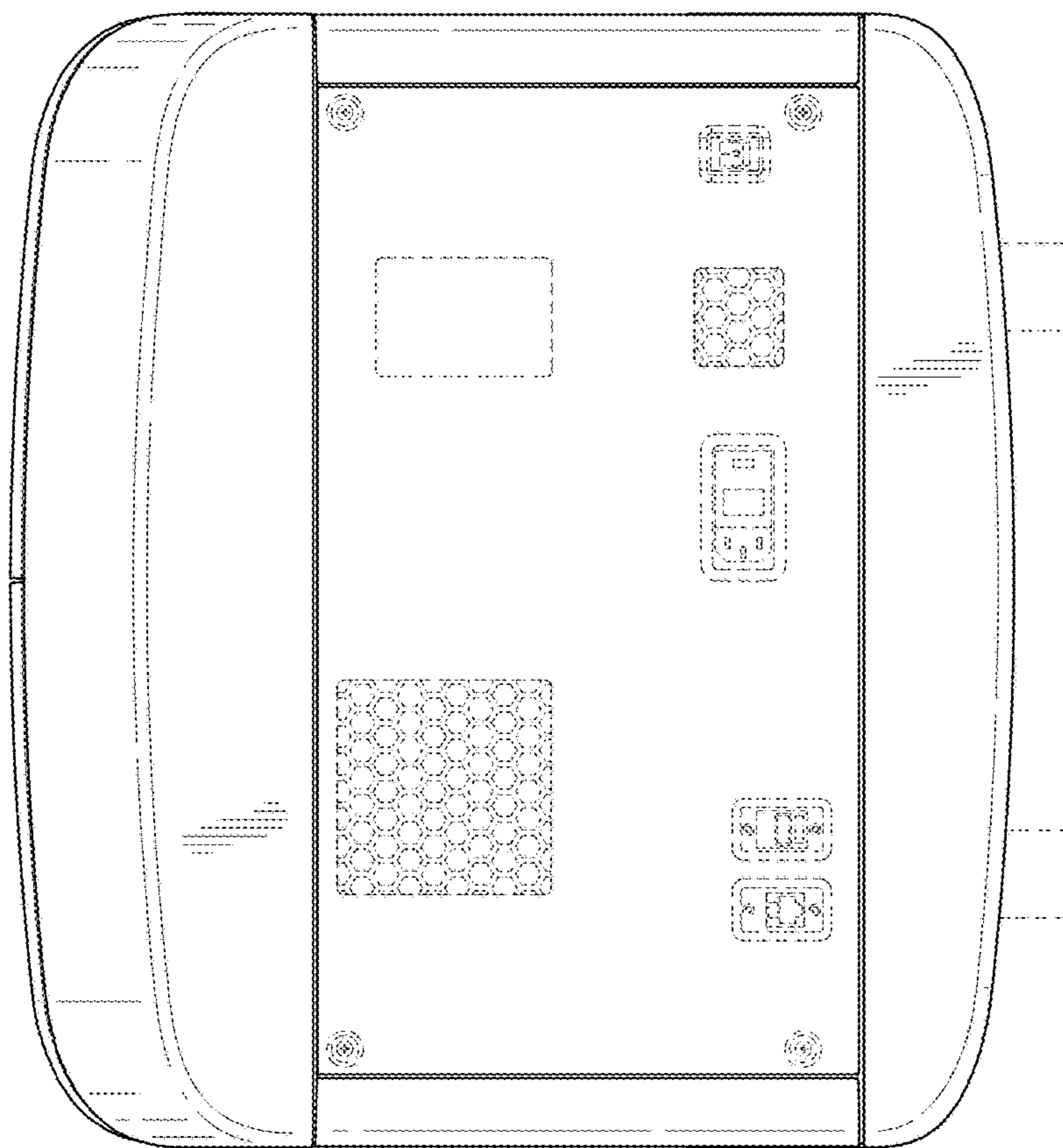


FIG. 3

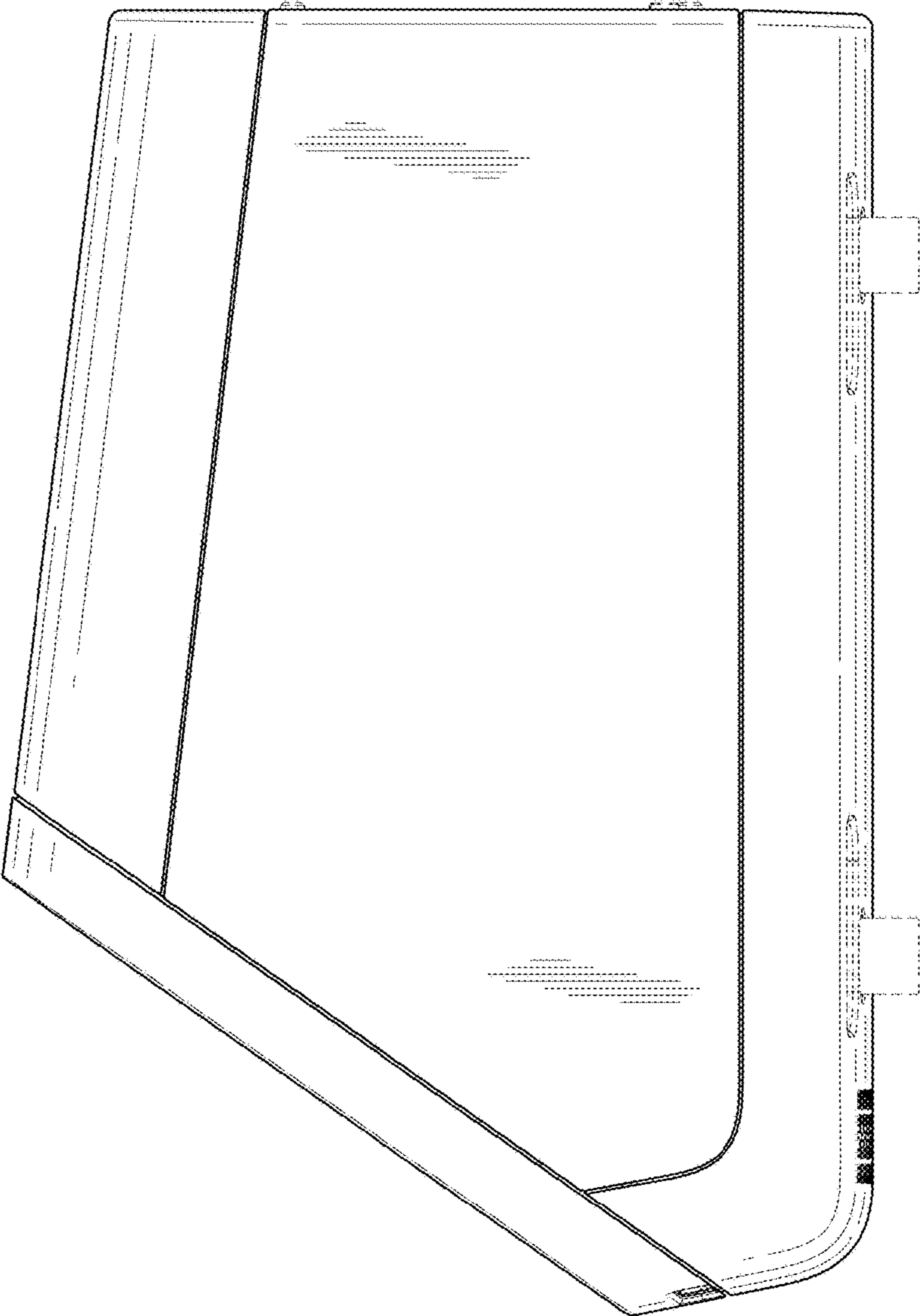


FIG. 4

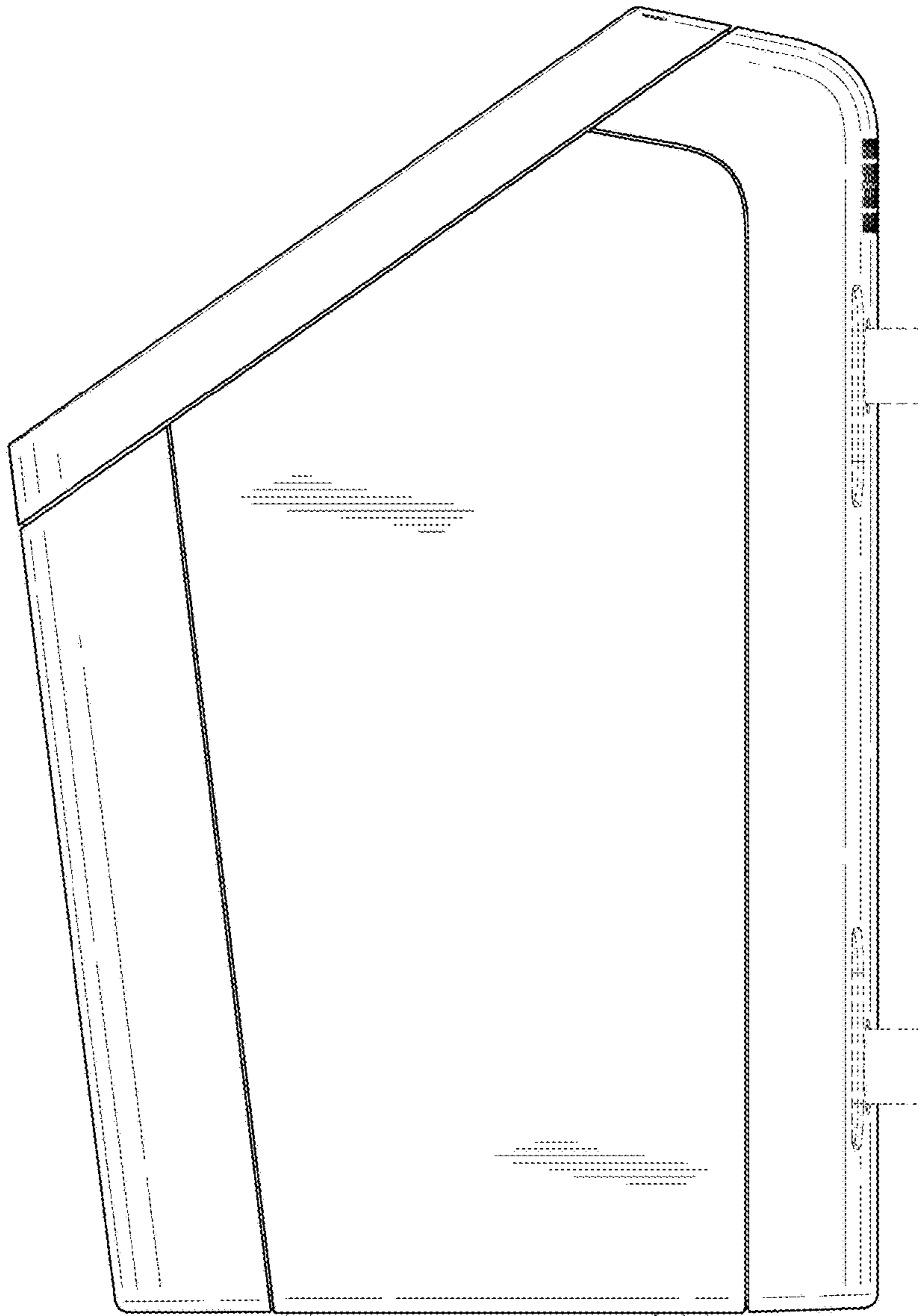


FIG. 5

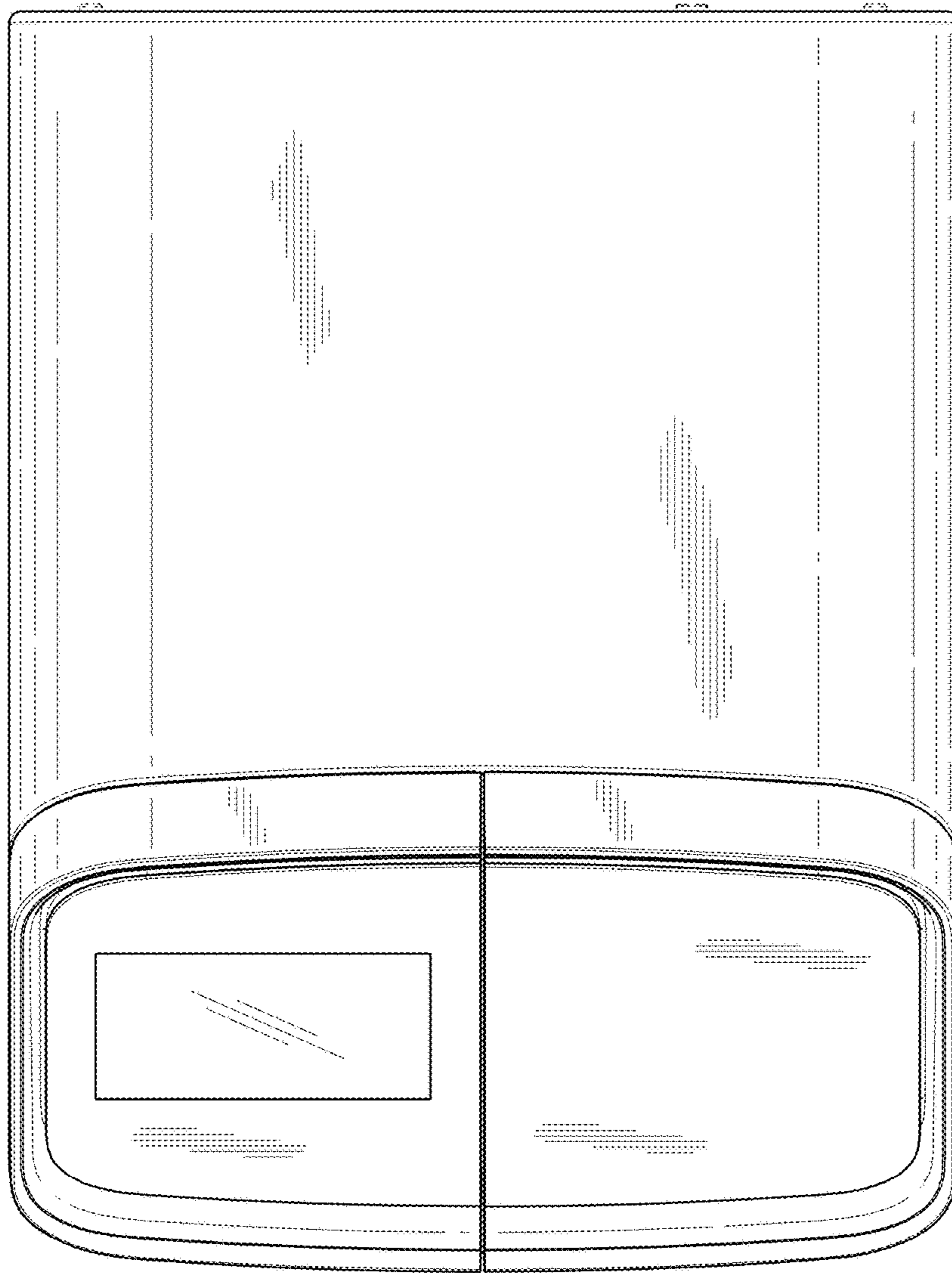


FIG. 6



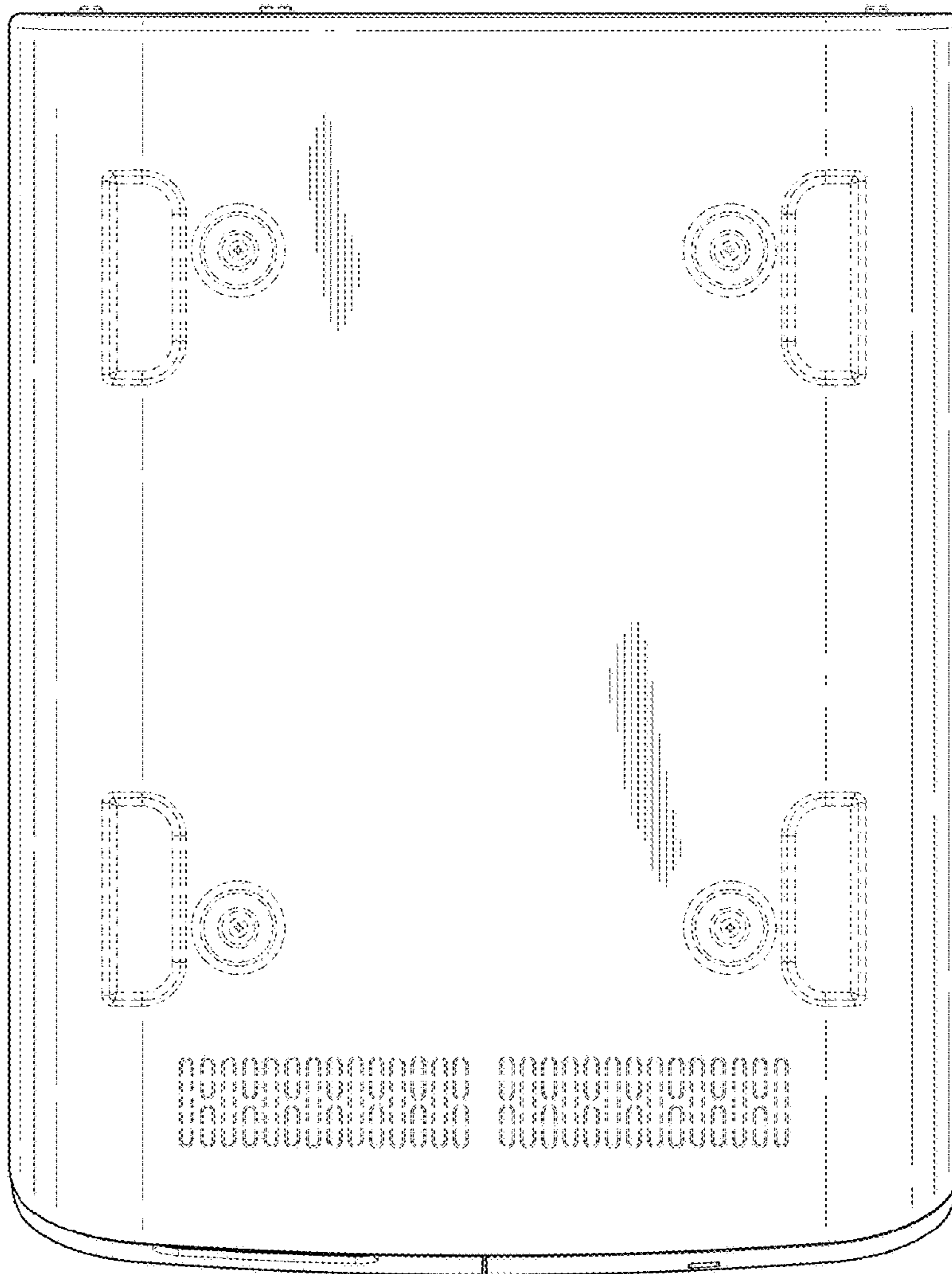


FIG. 7

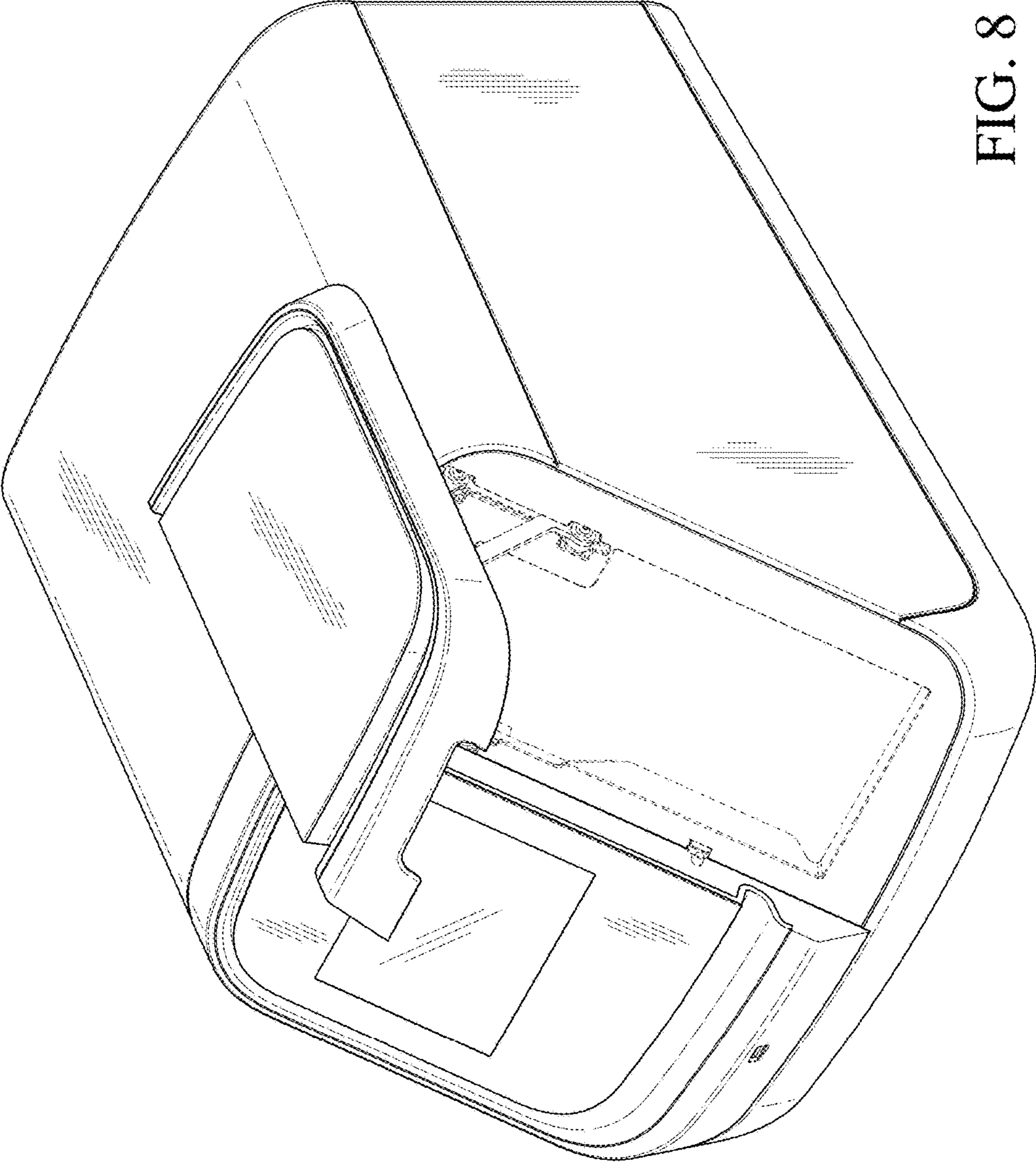


FIG. 8

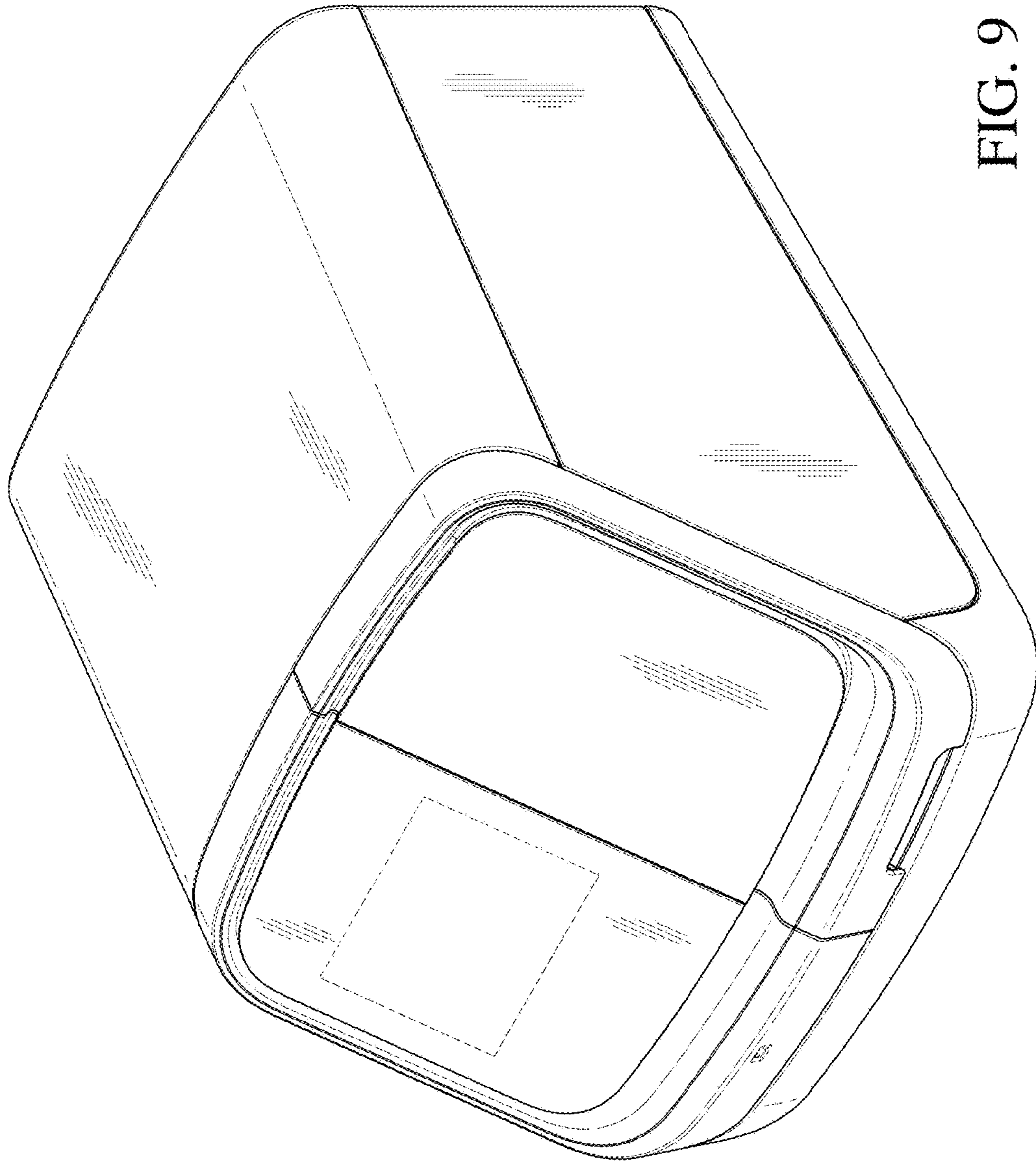


FIG. 9

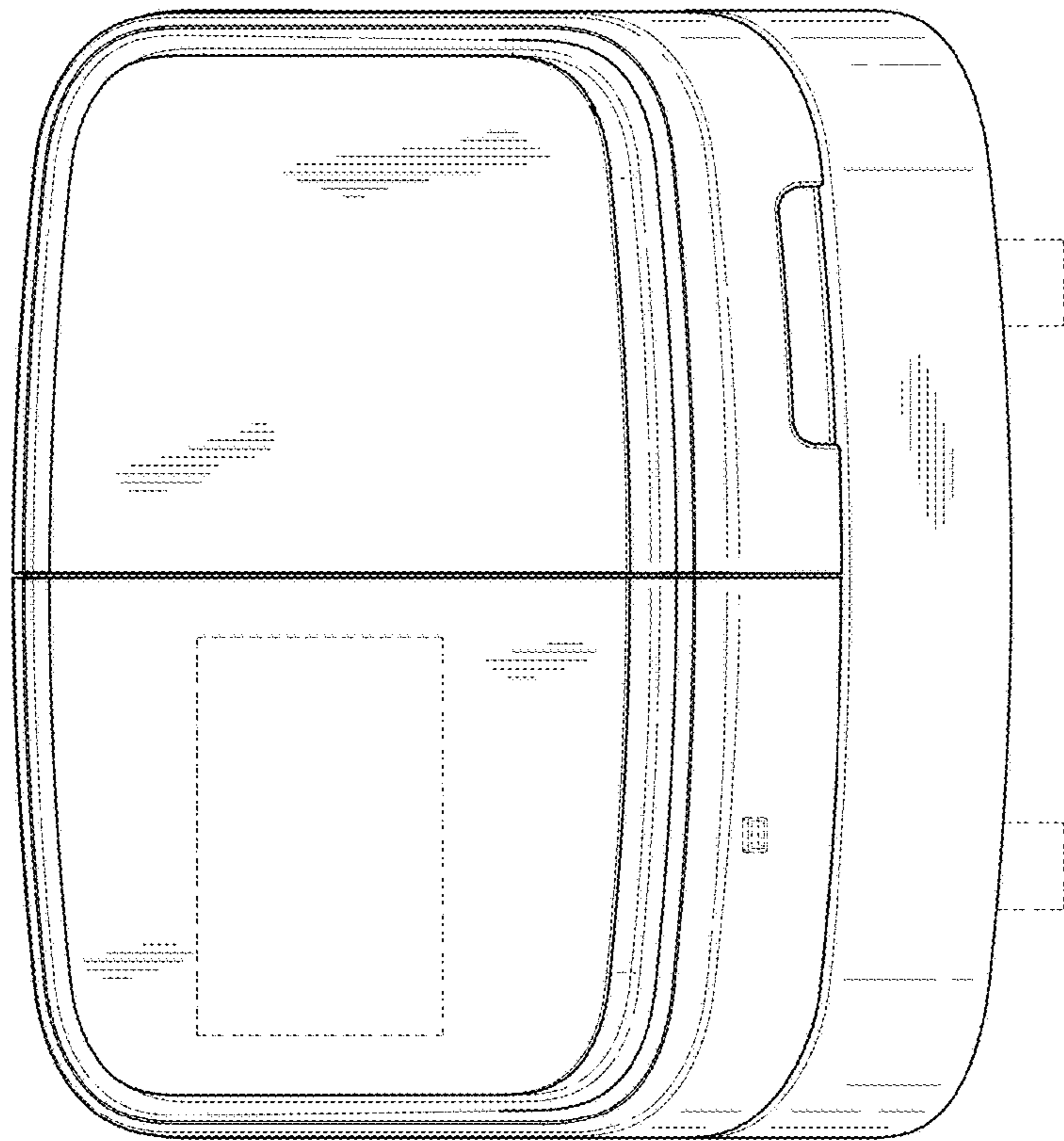


FIG. 10

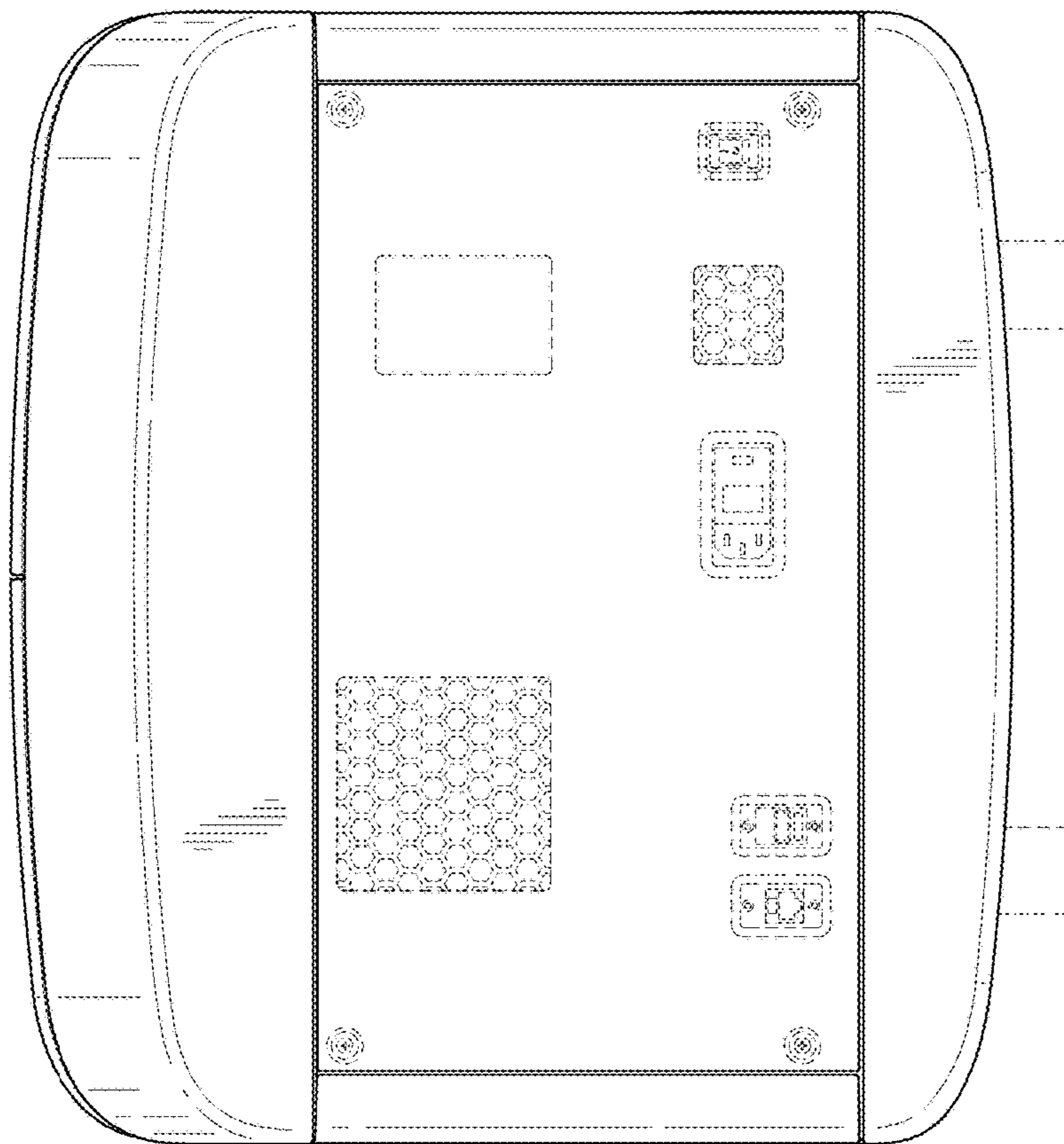


FIG. 11

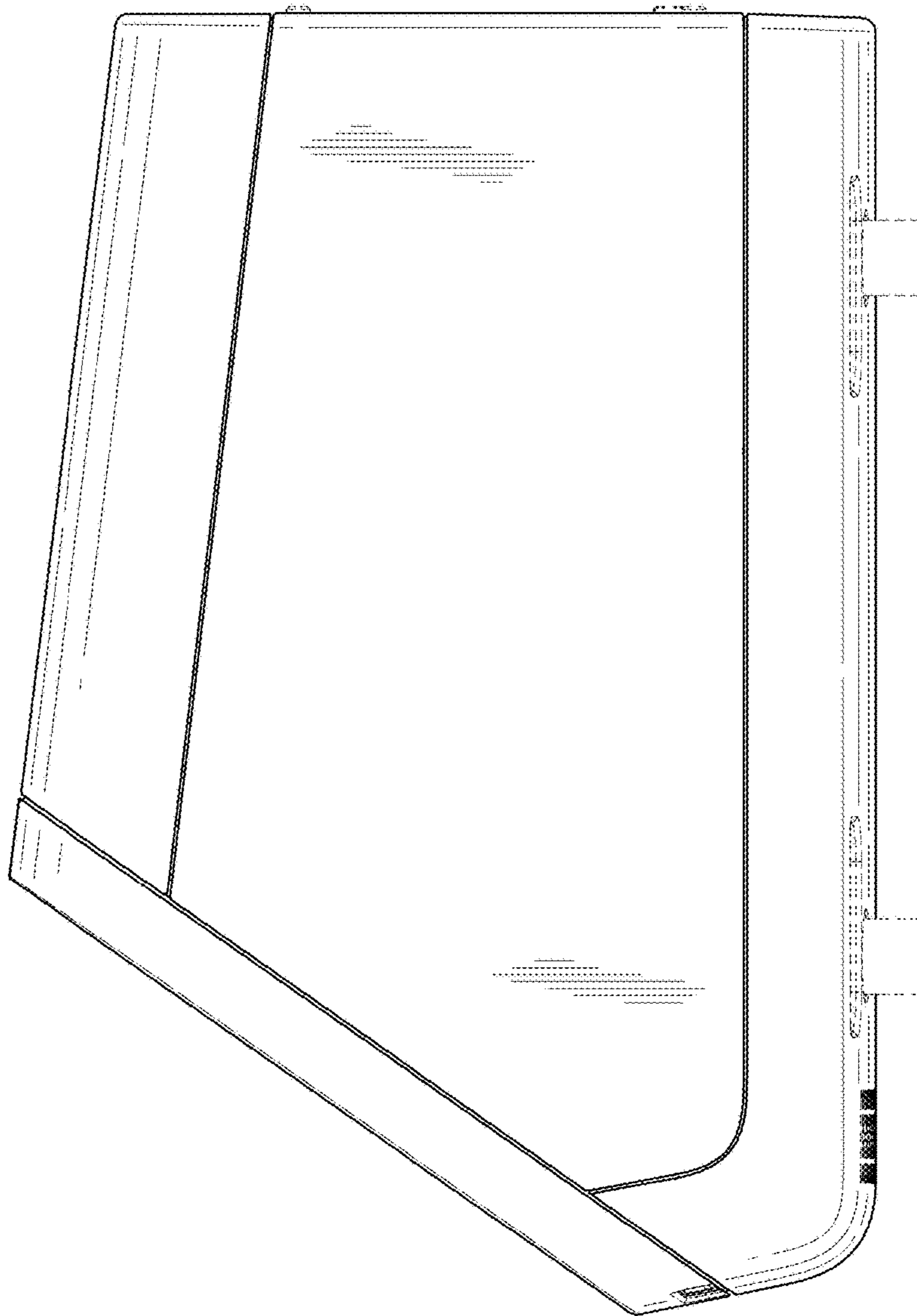


FIG. 12

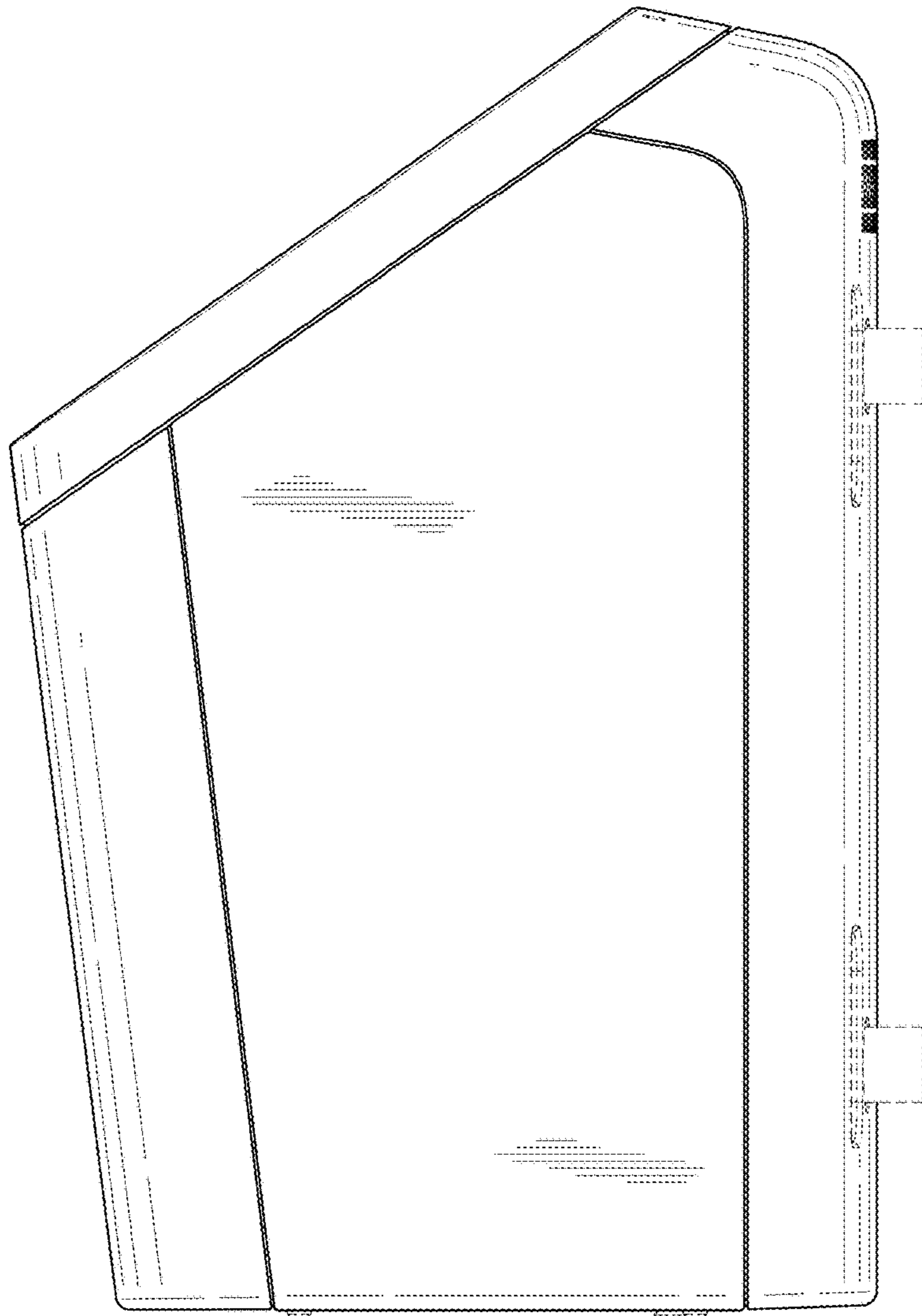


FIG. 13

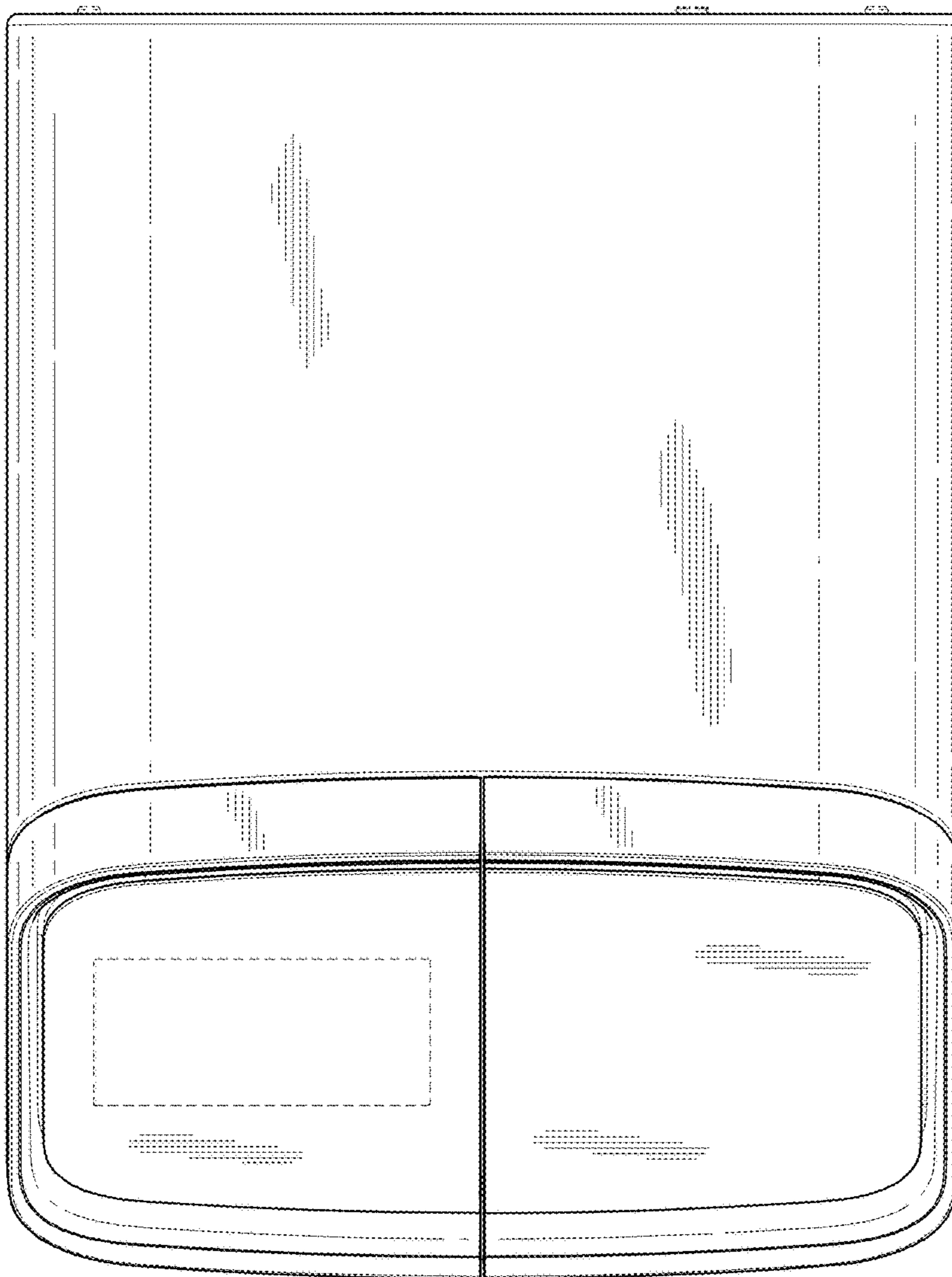


FIG. 14



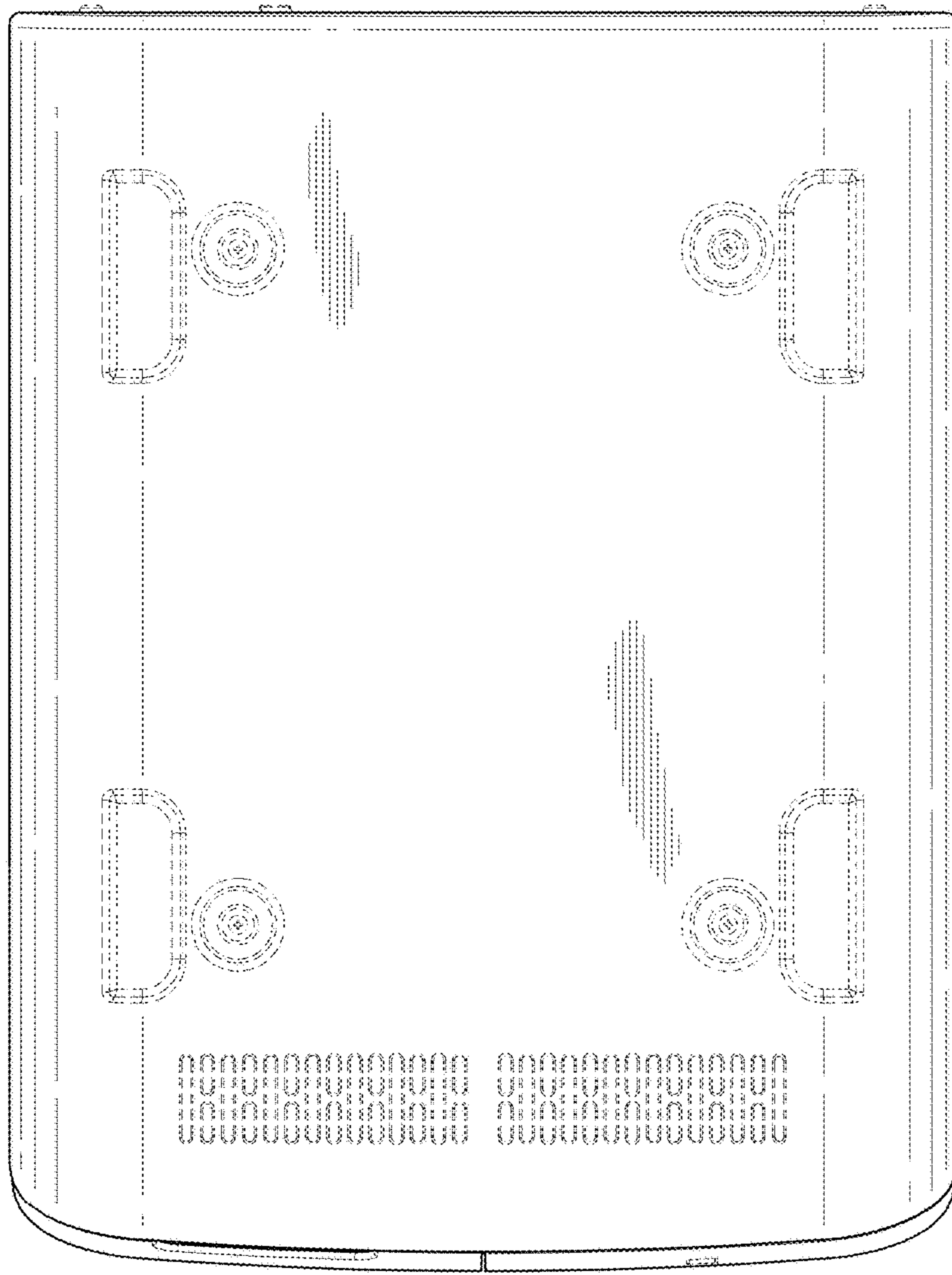


FIG. 15

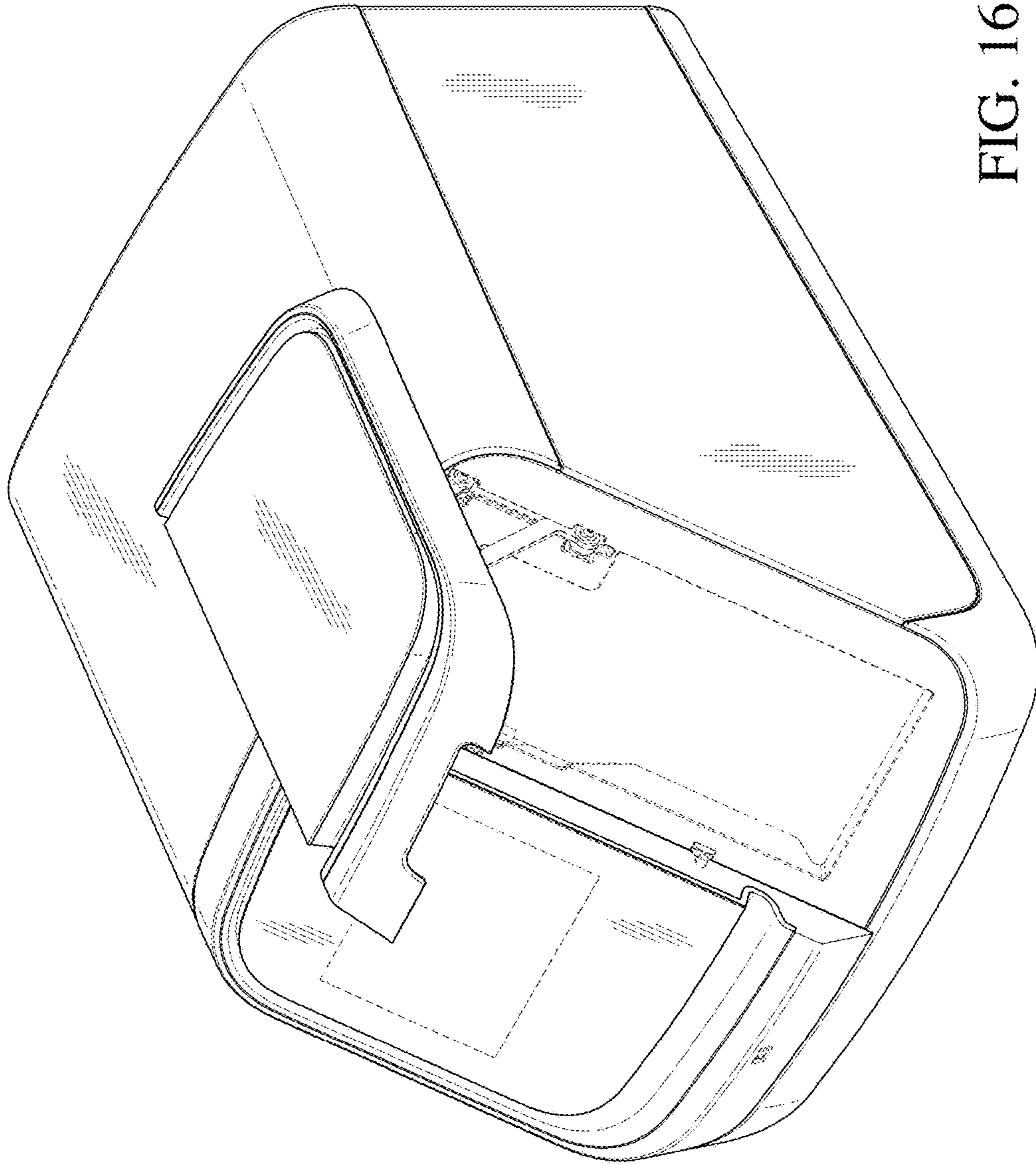


FIG. 16