



US00D819224S

(12) **United States Design Patent** (10) **Patent No.:** **US D819,224 S**
Anderson (45) **Date of Patent:** **** May 29, 2018**

(54) **URINE TEST DEVICE**
(71) Applicant: **Global Icle Test Ltd.**, Hartlepool (GB)
(72) Inventor: **John Robert Anderson**, Wingate (GB)
(73) Assignee: **Global Icle Test Ltd.**, Hartlepool (GB)
(**) Term: **15 Years**

5,060,317 A * 10/1991 Bertelsen A61B 10/007
4/144.2
5,111,539 A * 5/1992 Hiruta A61B 5/02241
4/301
5,409,473 A * 4/1995 Rosenshein A61B 10/007
600/574
D379,663 S * 6/1997 Pearson D10/81
D383,549 S * 9/1997 Arnett D10/81
D387,848 S * 12/1997 Thompson D23/208
6,146,590 A * 11/2000 Mazurek G01N 33/54386
422/401

(21) Appl. No.: **29/605,349**

(Continued)

(22) Filed: **May 25, 2017**

FOREIGN PATENT DOCUMENTS

(51) **LOC (11) Cl.** **24-02**

JP 2009229214 A 10/2009
WO 2004036343 A2 4/2004

(52) **U.S. Cl.**

USPC **D24/223**

Primary Examiner — Ian Simmons

(58) **Field of Classification Search**

USPC D24/216, 122, 127, 128, 223, 224;
D10/81, 103; D23/208

Assistant Examiner — Mark Cavanna

(74) *Attorney, Agent, or Firm* — James Creighton Wray

CPC . A61B 10/007; A61B 5/0002; A61B 5/02241;
A61B 5/14507; A61B 5/20; A61B 5/201;
A61B 5/7435; B01L 3/5023; B65D
50/046; E03D 11/00; E03D 11/02; E03D
9/00; E03D 9/032; G01N 21/78; G01N
33/48; G01N 33/493; G01N 33/52; G01N
33/523; G01N 33/525; G01N 33/528;
G01N 33/54366; G01N 33/54386; G01N
33/54388; G01N 33/558; G01N 33/62;
G01N 33/721

(57) **CLAIM**

The ornamental design for a urine test device, as shown and described.

See application file for complete search history.

DESCRIPTION

FIG. 1 is a front, right and top perspective view of a urine test device.

FIG. 2 is a rear elevation of the urine test device shown in FIG. 1.

FIG. 3 is a left side elevation of the urine test device shown in FIGS. 1 and 2.

FIG. 4 is a front elevation of the urine test device shown in FIGS. 1-3.

FIG. 5 is a right side elevation of the urine test device shown in FIGS. 1-4.

FIG. 6 is a plan view of the urine test device shown in FIGS. 1-5; and,

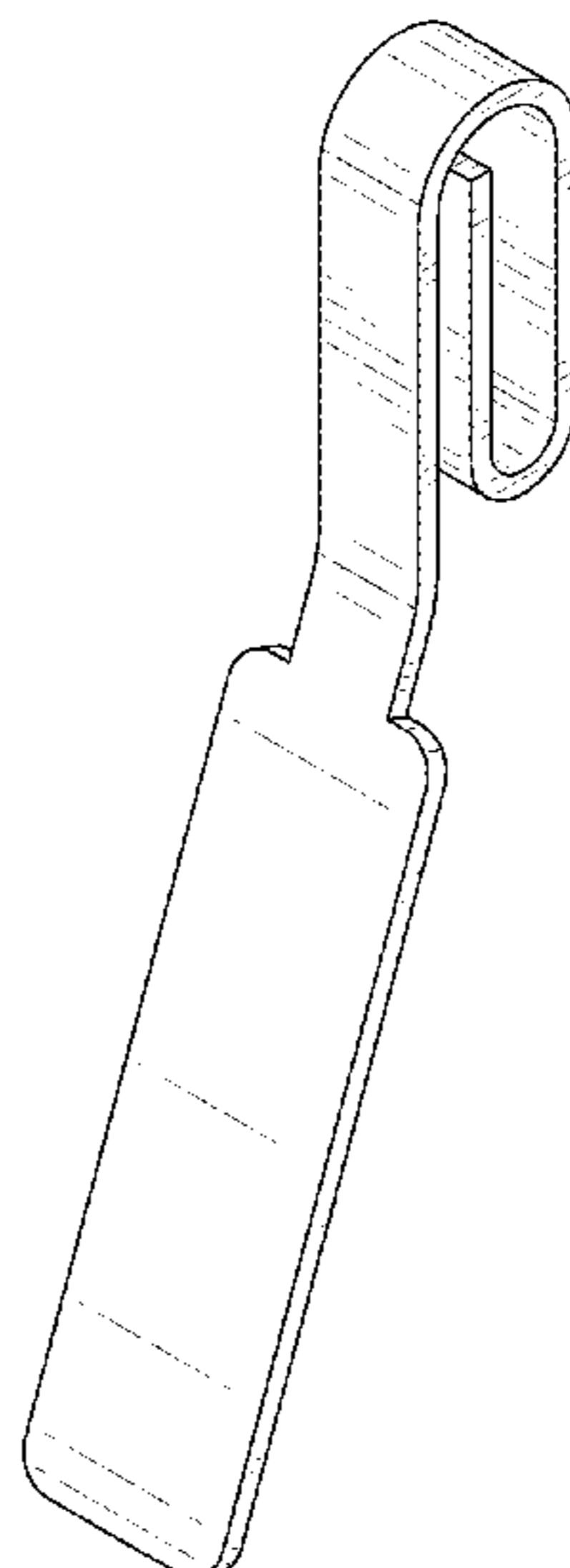
FIG. 7 is a bottom view of the urine test device shown in FIGS. 1-6.

(56) **References Cited**

U.S. PATENT DOCUMENTS

4,203,169 A * 5/1980 Dale A61B 10/007
4/144.1
D266,694 S * 10/1982 Boger D24/223
4,901,736 A * 2/1990 Huang E03D 11/02
600/573
D307,934 S * 5/1990 Verebelyi D23/208
5,047,206 A * 9/1991 Dombrowski G01N 33/525
156/73.1

1 Claim, 7 Drawing Sheets



(56)

References Cited

U.S. PATENT DOCUMENTS

6,311,340 B1 * 11/2001 Thompson B65D 50/046
4/231
6,319,676 B1 * 11/2001 Nazareth G01N 33/558
422/408
6,372,516 B1 * 4/2002 Sun B01L 3/5023
422/408
D476,056 S * 6/2003 Woolley D23/208
6,572,564 B2 * 6/2003 Ito A61B 5/0002
4/314
6,740,293 B1 * 5/2004 Deng A61B 10/007
422/412
D499,812 S * 12/2004 Wu D24/223
6,998,273 B1 * 2/2006 Fleming G01N 33/558
422/412
7,011,634 B2 * 3/2006 Paasch A61B 10/007
4/144.1
D547,418 S * 7/2007 King D23/208
D548,359 S * 8/2007 Illein D24/223
D558,856 S * 1/2008 King D23/208
D634,023 S * 3/2011 Wei D24/223
D676,569 S * 2/2013 Laverack D24/223
D676,570 S * 2/2013 Chance D24/223
D720,864 S * 1/2015 Behar D24/223
9,151,754 B2 * 10/2015 Snowden G01N 33/558
2002/0001852 A1 * 1/2002 Mendel-Hartvig .. G01N 33/558
436/514
2013/0323828 A1 * 12/2013 Matumura G01N 33/52
435/287.9
2015/0359522 A1 * 12/2015 Recht G01N 33/62
600/573
2017/0067872 A1 * 3/2017 Anderson A61B 10/007

* cited by examiner

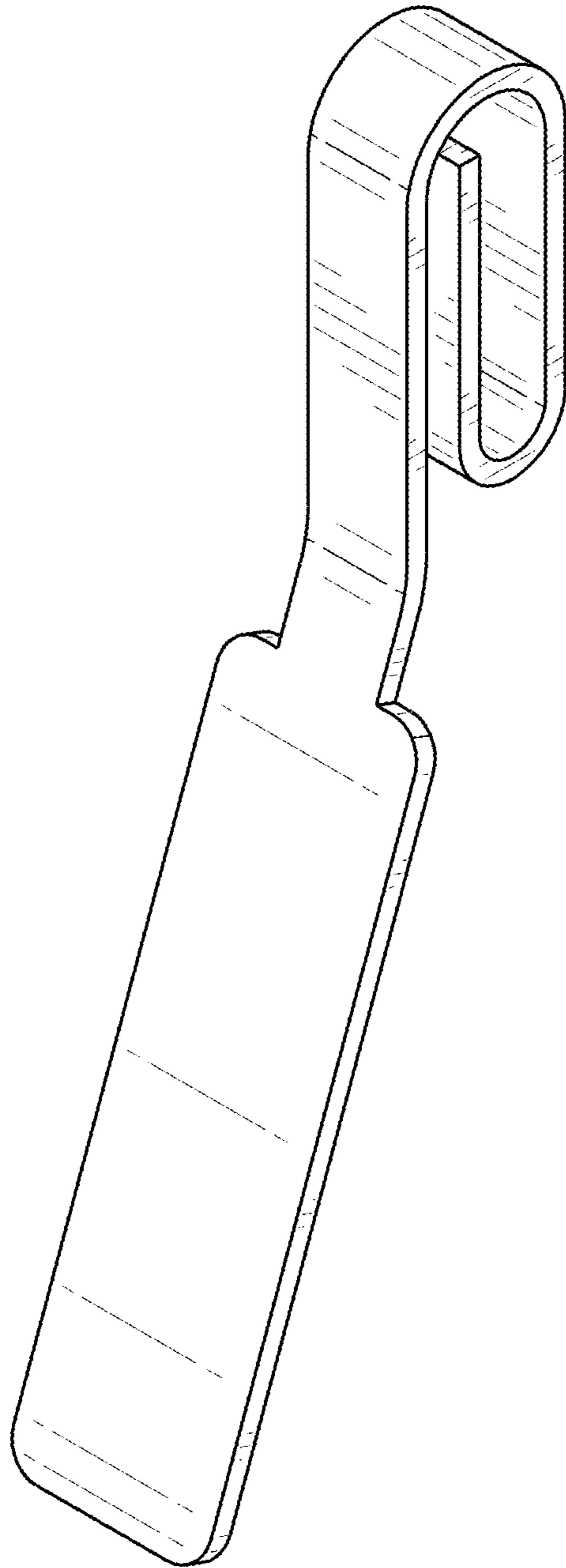


FIG. 1

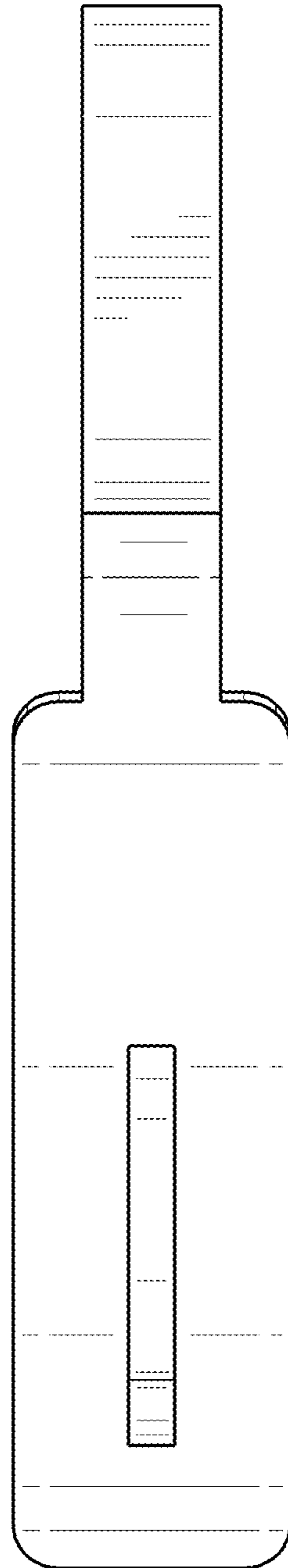


FIG. 2

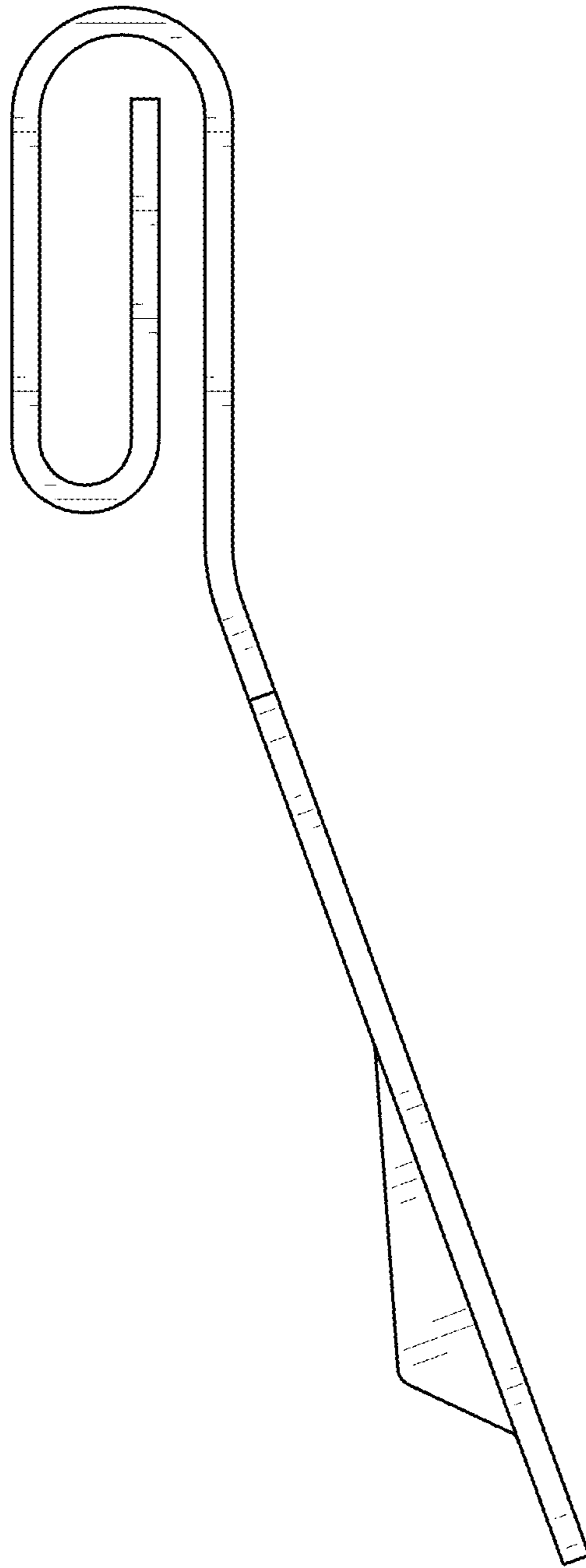


FIG. 3

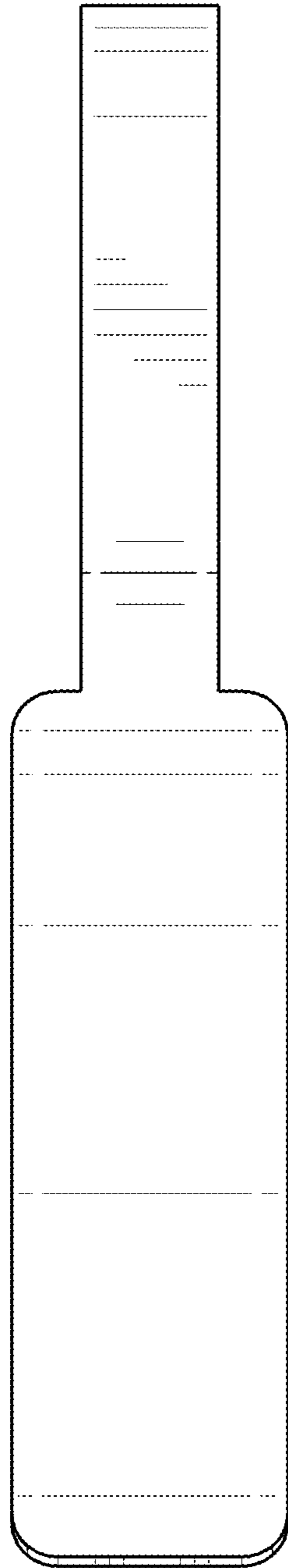


FIG. 4

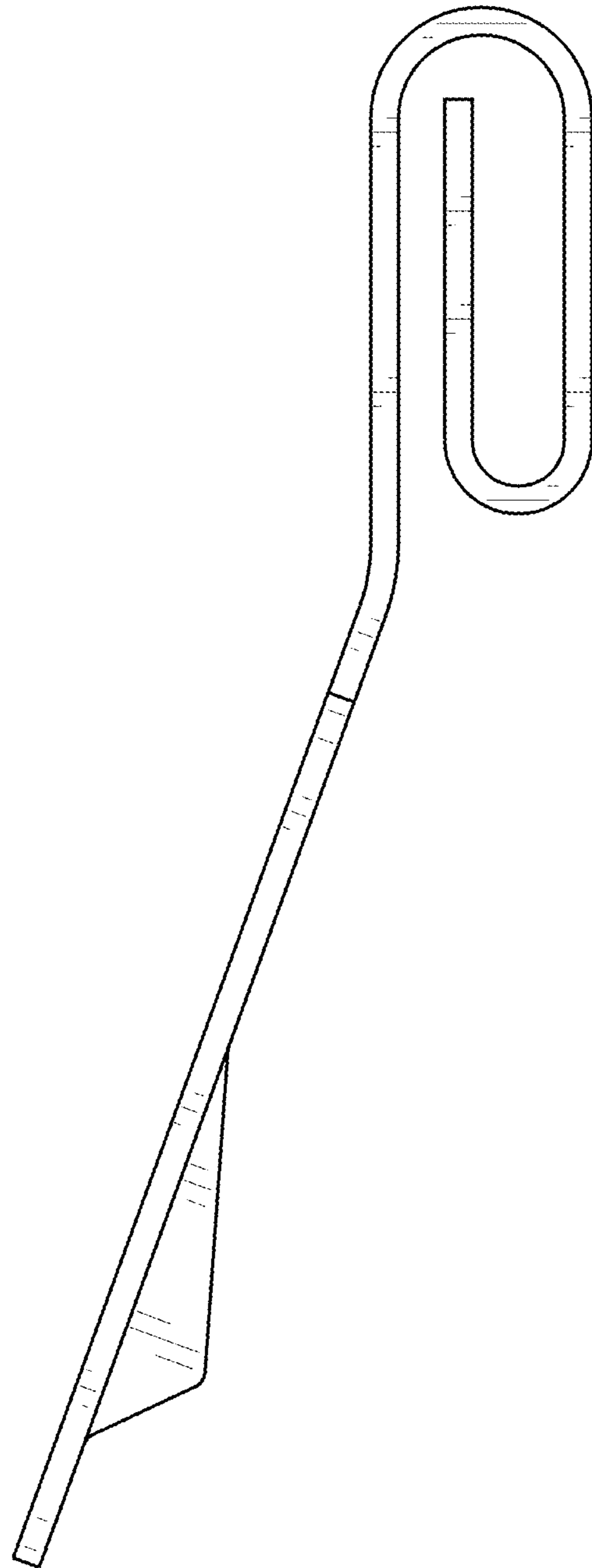


FIG. 5

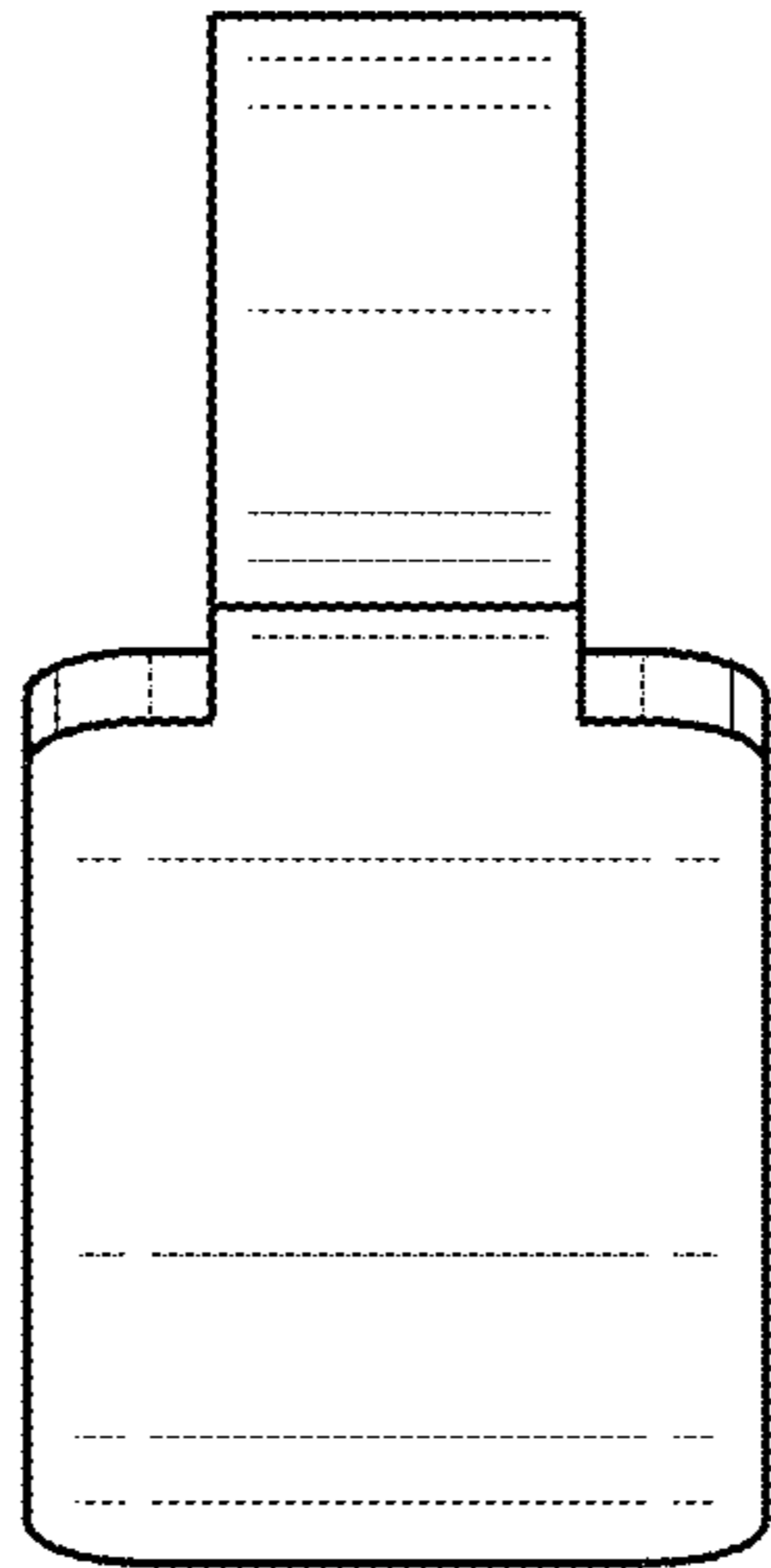


FIG. 6

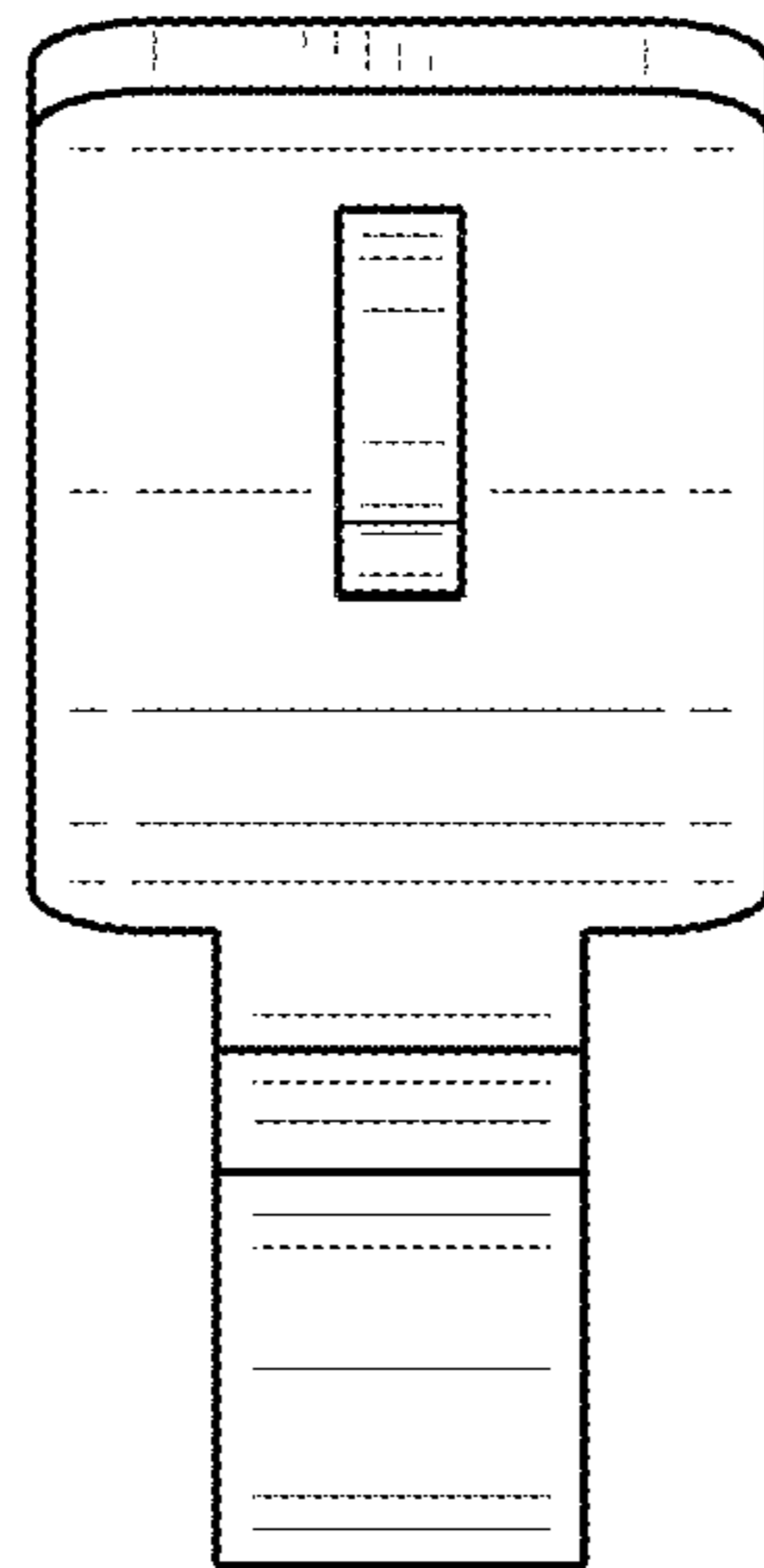


FIG. 7