



US00D819223S

(12) **United States Design Patent** (10) **Patent No.:** **US D819,223 S**  
**Judson et al.** (45) **Date of Patent:** **\*\* May 29, 2018**

(54) **TRANSPORTER FOR A TISSUE TRANSPORT SYSTEM**

FOREIGN PATENT DOCUMENTS

(71) Applicant: **Paragonix Technologies, Inc.**,  
Braintree, MA (US)

CA 2722615 A1 10/2009  
CN 101322861 A 12/2008  
(Continued)

(72) Inventors: **Jared Alden Judson**, Medford, MA (US); **William Edelman**, Sharon, MA (US); **Gerd Schmieta**, Boston, MA (US); **Lisa Maria Anderson**, Boston, MA (US)

OTHER PUBLICATIONS

International Preliminary Report on Patentability for PCT Application No. PCT/US2009/041274.  
(Continued)

(73) Assignee: **Paragonix Technologies, Inc.**,  
Braintree, MA (US)

*Primary Examiner* — Anhdao Doan  
(74) *Attorney, Agent, or Firm* — Brown Rudnick LLP

(\*\*) Term: **15 Years**

(57) **CLAIM**

The ornamental design for a transporter for a tissue transport system, as shown and described.

(21) Appl. No.: **29/572,219**

**DESCRIPTION**

(22) Filed: **Jul. 26, 2016**

**Related U.S. Application Data**

(62) Division of application No. 29/504,910, filed on Oct. 10, 2014, now Pat. No. Des. 765,874.

(51) **LOC (11) Cl.** ..... **24-01**

(52) **U.S. Cl.**  
USPC ..... **D24/216**

(58) **Field of Classification Search**  
USPC ..... D24/121, 216, 219–221, 224–233;  
D10/81; D9/516, 540

(Continued)

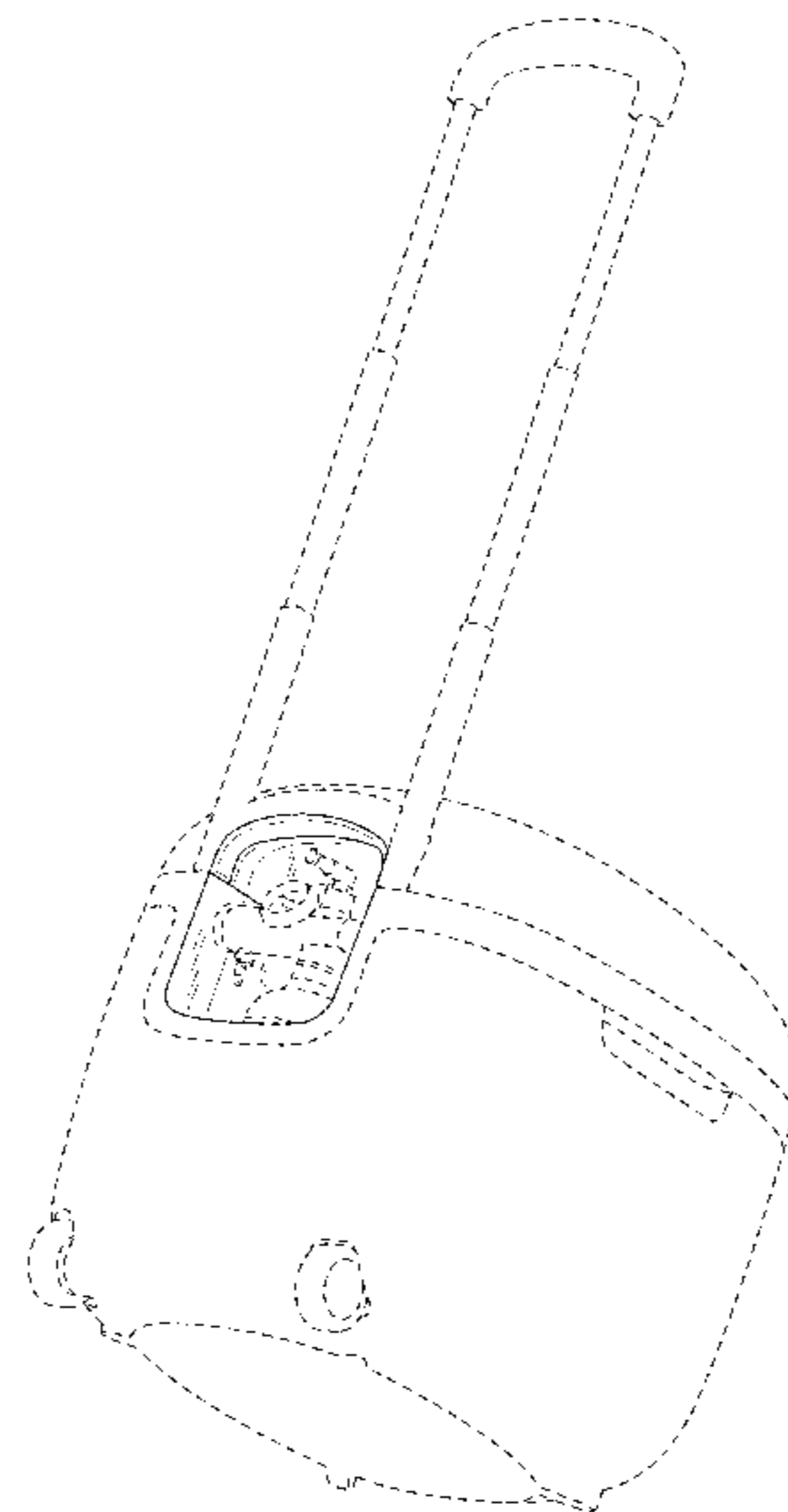
(56) **References Cited**

U.S. PATENT DOCUMENTS

4,697,703 A 10/1987 Will  
5,066,578 A 11/1991 Wikman-Coffelt  
(Continued)

FIG. 1 illustrates a top front perspective view of a transporter for a tissue transport system;  
FIG. 2 illustrates a top rear perspective view of the transporter of FIG. 1;  
FIG. 3 illustrates a front view of the transporter of FIG. 1;  
FIG. 4 illustrates a rear view of the transporter of FIG. 1;  
FIG. 5 illustrates a right side view of the transporter of FIG. 1;  
FIG. 6 illustrates a left side view of the transporter of FIG. 1;  
FIG. 7 illustrates a top view of the transporter of FIG. 1;  
FIG. 8 illustrates a bottom view of the transporter of FIG. 1;  
and,  
FIG. 9 illustrates a left cross-sectional view of the transporter of FIG. 1 taken along the lines 9-9 of FIG. 3; the right cross-sectional view is a mirror image of the left cross-sectional view.  
The broken lines are included for the purpose of illustrating unclaimed portions of the transporter and form no part of the claimed design.

**1 Claim, 9 Drawing Sheets**



(58) **Field of Classification Search**  
 CPC .. A01N 1/0273; A01N 1/0247; A01N 1/0268;  
 A01N 1/02  
 See application file for complete search history.

(56) **References Cited**

U.S. PATENT DOCUMENTS

5,141,847 A	8/1992	Sugimachi et al.	7,811,808 B2	10/2010	van der Plaats et al.
5,149,321 A	9/1992	Klatz et al.	7,824,848 B2	11/2010	Owen et al.
5,234,405 A	8/1993	Klatz et al.	7,897,327 B2	3/2011	Millis et al.
5,291,746 A	3/1994	Abbott	D642,697 S	8/2011	Gafvert
5,326,706 A	7/1994	Yland et al.	8,097,449 B2	1/2012	Garland et al.
5,356,771 A	10/1994	O'Dell	8,268,547 B2	9/2012	Owen et al.
5,362,622 A	11/1994	O'Dell et al.	8,268,612 B2	9/2012	Owen et al.
5,385,821 A	1/1995	O'Dell et al.	8,304,181 B2	11/2012	Hassanein et al.
5,395,314 A	3/1995	Klatz et al.	8,420,380 B2	4/2013	Fishman et al.
5,405,012 A	4/1995	Shindler et al.	8,465,970 B2	6/2013	Hassanein et al.
5,434,045 A	7/1995	Jost	D692,572 S	10/2013	Steinman et al.
5,584,804 A	12/1996	Klatz et al.	D692,574 S	10/2013	Steinman et al.
5,586,438 A	12/1996	Fahy	8,785,116 B2	7/2014	Anderson et al.
5,643,712 A	7/1997	Brasile	8,828,710 B2	9/2014	Anderson et al.
5,656,154 A	8/1997	Meryman	8,835,158 B2	9/2014	Judson et al.
5,709,654 A	1/1998	Klatz et al.	2002/0042131 A1	4/2002	Brockbank et al.
5,716,378 A	2/1998	Minten	2002/0068360 A1	6/2002	Brockbank et al.
5,752,929 A	5/1998	Klatz et al.	2002/0115634 A1	8/2002	Polyak et al.
5,827,222 A	10/1998	Klatz et al.	2002/0177117 A1	11/2002	Wolf
5,916,800 A	6/1999	Elizondo et al.	2003/0125804 A1	7/2003	Kruse et al.
5,924,302 A	7/1999	Derifield	2004/0014199 A1	1/2004	Streeter
5,963,335 A	10/1999	Boutelle	2004/0038192 A1	2/2004	Brasile
5,965,433 A	10/1999	Gardetto et al.	2004/0038193 A1	2/2004	Brasile
6,014,864 A	1/2000	Owen	2004/0058432 A1	3/2004	Owen et al.
6,020,575 A	2/2000	Nagle et al.	2004/0111104 A1	6/2004	Schein et al.
6,024,698 A	2/2000	Brasile	2004/0170950 A1	9/2004	Prien
6,046,046 A	4/2000	Hassanein	2004/0171138 A1	9/2004	Hassanein et al.
6,100,082 A	8/2000	Hassanein	2004/0221719 A1	11/2004	Wright et al.
6,174,719 B1	1/2001	Elizondo et al.	2004/0224298 A1	11/2004	Brassil et al.
6,194,137 B1	2/2001	Khirabadi et al.	2004/0224299 A1	11/2004	Garland et al.
6,209,343 B1	4/2001	Owen	2004/0241634 A1	12/2004	Millis et al.
6,241,945 B1	6/2001	Owen	2004/0248281 A1	12/2004	Wright et al.
6,303,388 B1	10/2001	Fahy	2005/0100876 A1	5/2005	Khirabadi et al.
D453,828 S	2/2002	Brassil et al.	2005/0147958 A1	7/2005	Hassanein et al.
6,485,450 B1	11/2002	Owen	2005/0153271 A1	7/2005	Wenrich
D468,436 S	1/2003	Brassil et al.	2005/0221269 A1	10/2005	Taylor et al.
D470,594 S	2/2003	Brassil et al.	2005/0233299 A1	10/2005	Sawa et al.
6,582,953 B2	6/2003	Brasile	2005/0255442 A1	11/2005	Brassil et al.
6,642,019 B1	11/2003	Anderson et al.	2005/0277106 A1	12/2005	Daemen et al.
6,642,045 B1	11/2003	Brasile	2006/0019388 A1	1/2006	Hutmacher et al.
6,656,380 B2	12/2003	Wood et al.	2006/0063142 A1	3/2006	Owen et al.
6,673,008 B1	1/2004	Thompson et al.	2006/0121439 A1	6/2006	Baker
6,673,594 B1	1/2004	Owen et al.	2006/0121512 A1	6/2006	Parenteau
6,677,150 B2	1/2004	Alford et al.	2006/0121605 A1	6/2006	Parenteau
6,699,231 B1	3/2004	Sterman et al.	2006/0148062 A1	7/2006	Hassanein et al.
6,740,484 B1	5/2004	Khirabadi et al.	2006/0154357 A1	7/2006	Hassanein et al.
6,773,877 B2	8/2004	Fahy	2006/0154358 A1	7/2006	Hassanein et al.
6,794,182 B2	9/2004	Wolf, Jr.	2006/0154359 A1	7/2006	Hassanein et al.
6,905,871 B1	6/2005	Doorschodt et al.	2006/0160204 A1	7/2006	Hassanein et al.
6,953,655 B1	10/2005	Hassanein et al.	2006/0292544 A1	12/2006	Hassanein et al.
6,977,140 B1	12/2005	Owen et al.	2007/0009881 A1	1/2007	Arzt et al.
6,994,954 B2	2/2006	Taylor	2007/0015131 A1	1/2007	Arzt et al.
7,008,535 B1	3/2006	Spears et al.	2007/0166292 A1	7/2007	Brasile
D531,319 S	10/2006	Schein et al.	2007/0184545 A1	8/2007	Plaats et al.
D531,320 S	10/2006	Garland et al.	2007/0190636 A1	8/2007	Hassanein et al.
7,157,222 B2	1/2007	Khirabadi et al.	2007/0243518 A1	10/2007	Serna et al.
7,176,015 B2	2/2007	Alford et al.	2007/0275364 A1	11/2007	Hassanein et al.
7,294,278 B2	11/2007	Spears et al.	2008/0017194 A1	1/2008	Hassanein et al.
7,316,922 B2	1/2008	Streeter	2008/0038811 A1	2/2008	Alford et al.
7,326,564 B2	2/2008	Lundell et al.	2008/0070229 A1	3/2008	Streeter
7,410,474 B1	8/2008	Friend et al.	2008/0070302 A1	3/2008	Brockbank et al.
7,410,474 B1	8/2008	Friend et al.	2008/0096184 A1	4/2008	Brasile
7,504,201 B2	3/2009	Taylor et al.	2008/0145919 A1	6/2008	Franklin et al.
7,572,622 B2	8/2009	Hassanein et al.	2008/0234768 A1	9/2008	Hassanein et al.
D608,644 S *	1/2010	Cordero ..... D9/516	2009/0197240 A1	8/2009	Fishman et al.
7,651,835 B2	1/2010	Hassanein et al.	2009/0197241 A1	8/2009	Fishman et al.
7,678,563 B2	3/2010	Wright et al.	2009/0197292 A1	8/2009	Fishman et al.
7,691,622 B2	4/2010	Garland et al.	2009/0197324 A1	8/2009	Fishman et al.
7,749,693 B2	7/2010	Brassil et al.	2009/0197325 A1	8/2009	Fishman et al.
D624,822 S *	10/2010	Lovelace, Jr. .... D9/540	2009/0226878 A1	9/2009	Taylor et al.
			2009/0291486 A1	11/2009	Wenrich
			2010/0015592 A1	1/2010	Doorschodt
			2010/0028850 A1	2/2010	Brassil
			2010/0086907 A1	4/2010	Bunegin et al.
			2010/0112542 A1	5/2010	Wright et al.
			2010/0151559 A1	6/2010	Garland et al.
			2010/0216110 A1	8/2010	Brockbank
			2010/0221696 A1	9/2010	Owen et al.
			2010/0233670 A1	9/2010	Gavish

(56)

**References Cited**

U.S. PATENT DOCUMENTS

2010/0234928	A1	9/2010	Rakhorst et al.
2011/0033916	A1	2/2011	Hutzenlaub et al.
2011/0039253	A1	2/2011	Owen et al.
2011/0053256	A1	3/2011	Owen et al.
2011/0059429	A1	3/2011	Owen et al.
2011/0129810	A1	6/2011	Owen et al.
2011/0129908	A1	6/2011	Owen et al.
2011/0136096	A1	6/2011	Hassanein et al.
2011/0183310	A1	7/2011	Kravitz et al.
2011/0212431	A1	9/2011	Bunegin et al.
2011/0217689	A1	9/2011	Bunegin et al.
2012/0301952	A1	11/2012	Anderson et al.
2013/0177897	A1*	7/2013	Kravitz ..... A01N 1/0273 435/1.2
2014/0349273	A1	11/2014	Anderson et al.
2014/0356850	A1	12/2014	Anderson et al.
2014/0356933	A1	12/2014	Anderson et al.
2015/0017627	A1	1/2015	Anderson et al.

FOREIGN PATENT DOCUMENTS

DE	102005048625	A1	4/2007
JP	8-169801		7/1996
WO	00/18225	A1	4/2000
WO	00/18226	A2	4/2000
WO	00/60935	A1	10/2000
WO	02/26034	A2	4/2002
WO	02/32225	A2	4/2002
WO	02/089571	A1	11/2002
WO	2004/017838	A2	3/2004

WO	2004/026031	A2	4/2004
WO	2004/089085	A2	10/2004
WO	2004/110146	A1	12/2004
WO	2005/022994	A1	3/2005
WO	2005/074681	A2	8/2005
WO	2005/099588	A2	10/2005
WO	2006/033674	A1	3/2006
WO	2006/042138	A2	4/2006
WO	2006/052133	A2	5/2006
WO	2007/111495	A1	10/2007
WO	2007/124044	A2	11/2007
WO	2008/108996	A1	9/2008
WO	2008/150587	A2	12/2008
WO	2009/041806	A1	4/2009
WO	2009/099939	A2	8/2009
WO	2009/132018	A1	10/2009
WO	2011/038251	A1	3/2011

OTHER PUBLICATIONS

International Search Report and Written Opinion for PCT Application No. PCT/US2010/050230, (12 pages).

International Search Report and Written Opinion dated Dec. 16, 2013, for International Patent Application No. PCT/US2013/054353, filed Aug. 9, 2013 (8 pages).

International Search Report and Written Opinion dated Dec. 9, 2013, for International Patent Application No. PCT/US2013/054365, filed Aug. 9, 2013 (10 pages).

LifePort Brochure, Organ Recovery Systems obtained from www.organ-recovery.com.

\* cited by examiner

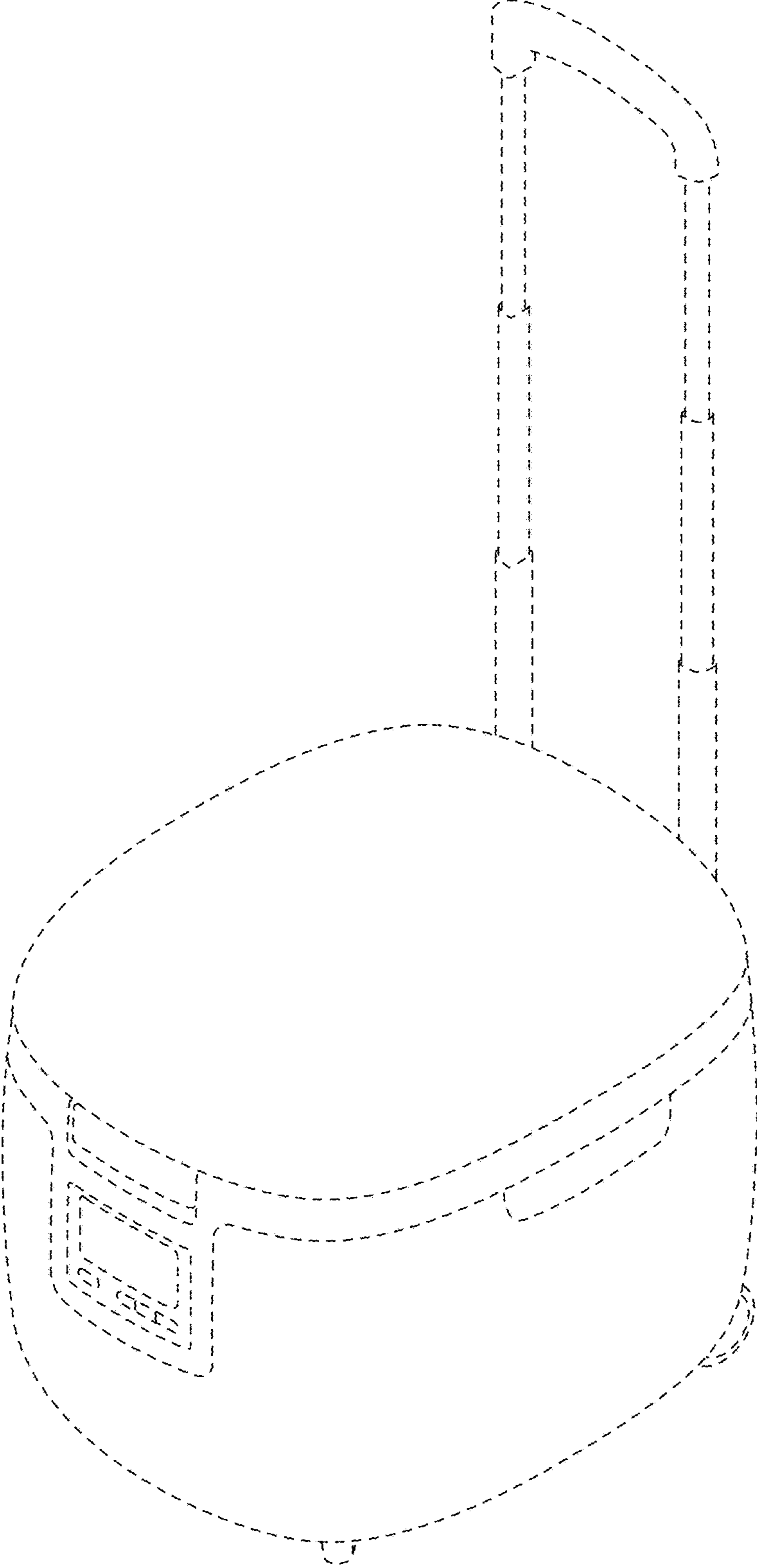


FIG.1

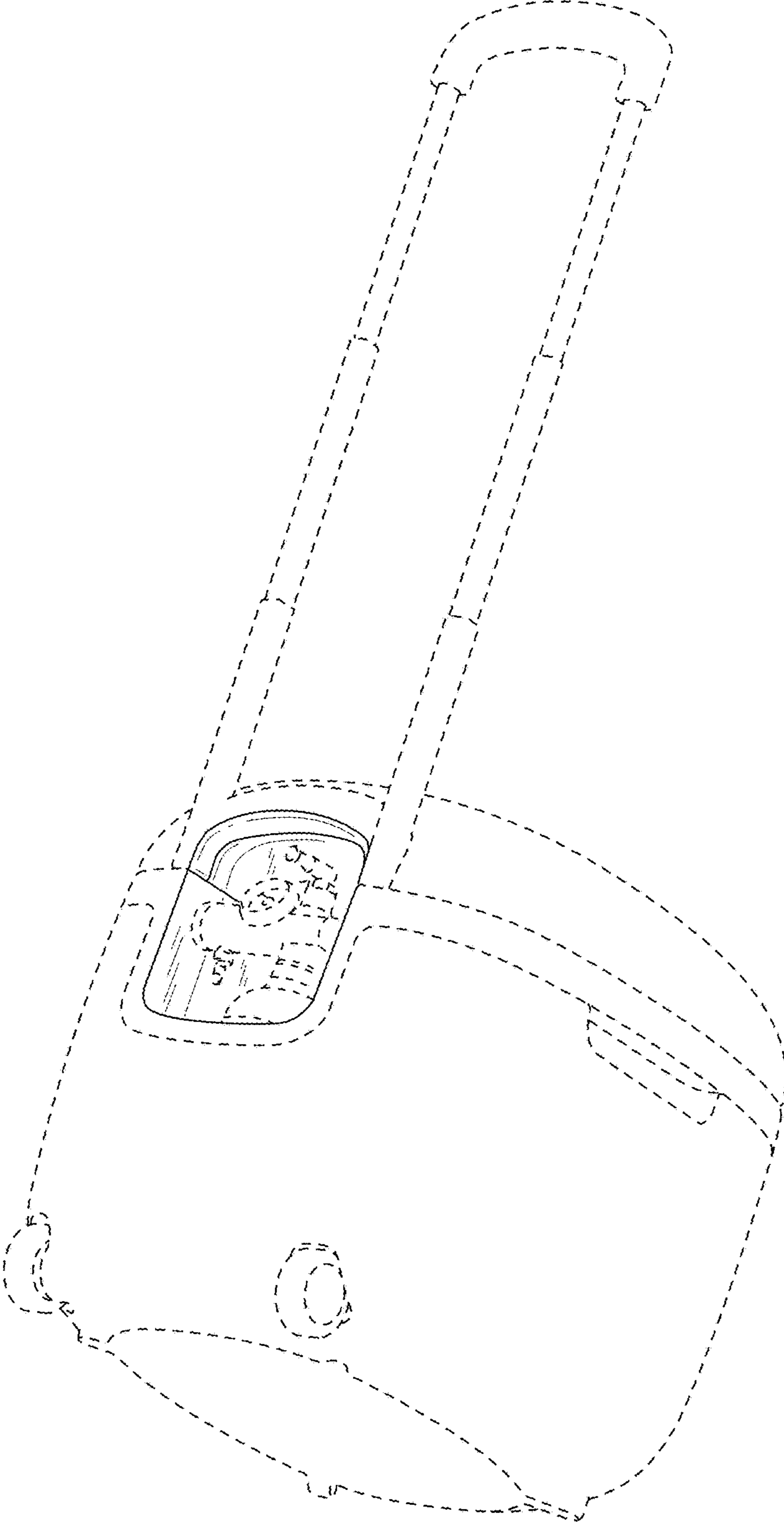


FIG. 2

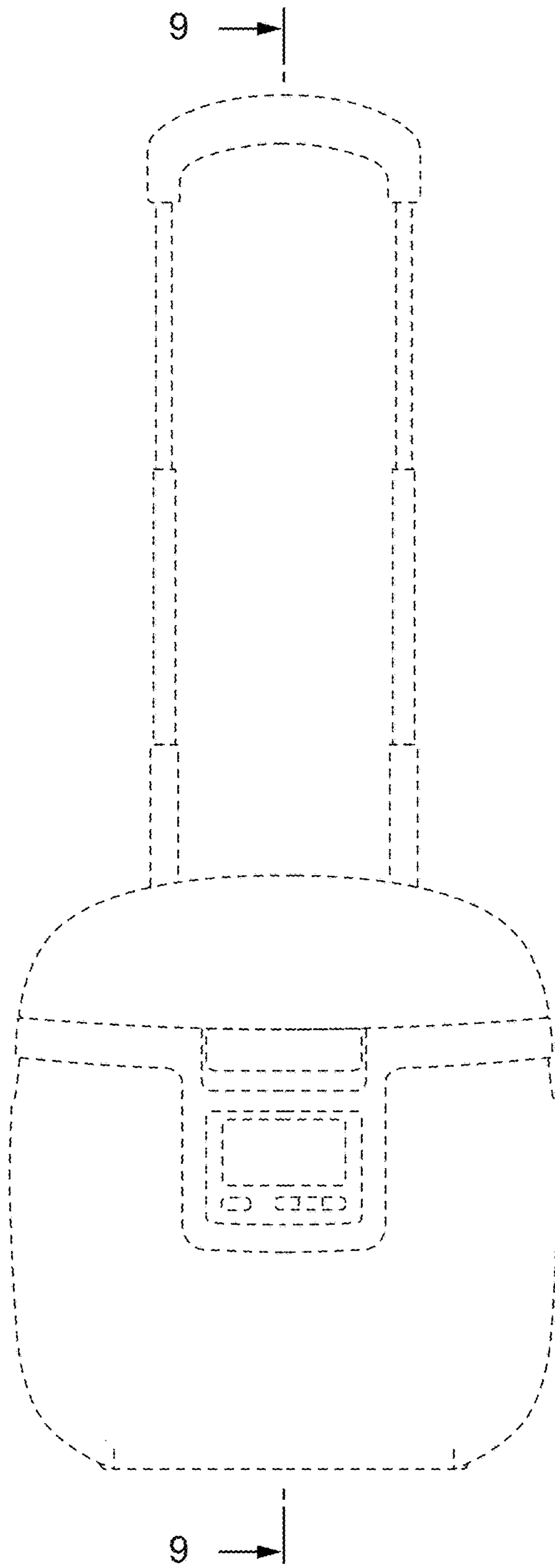


FIG. 3

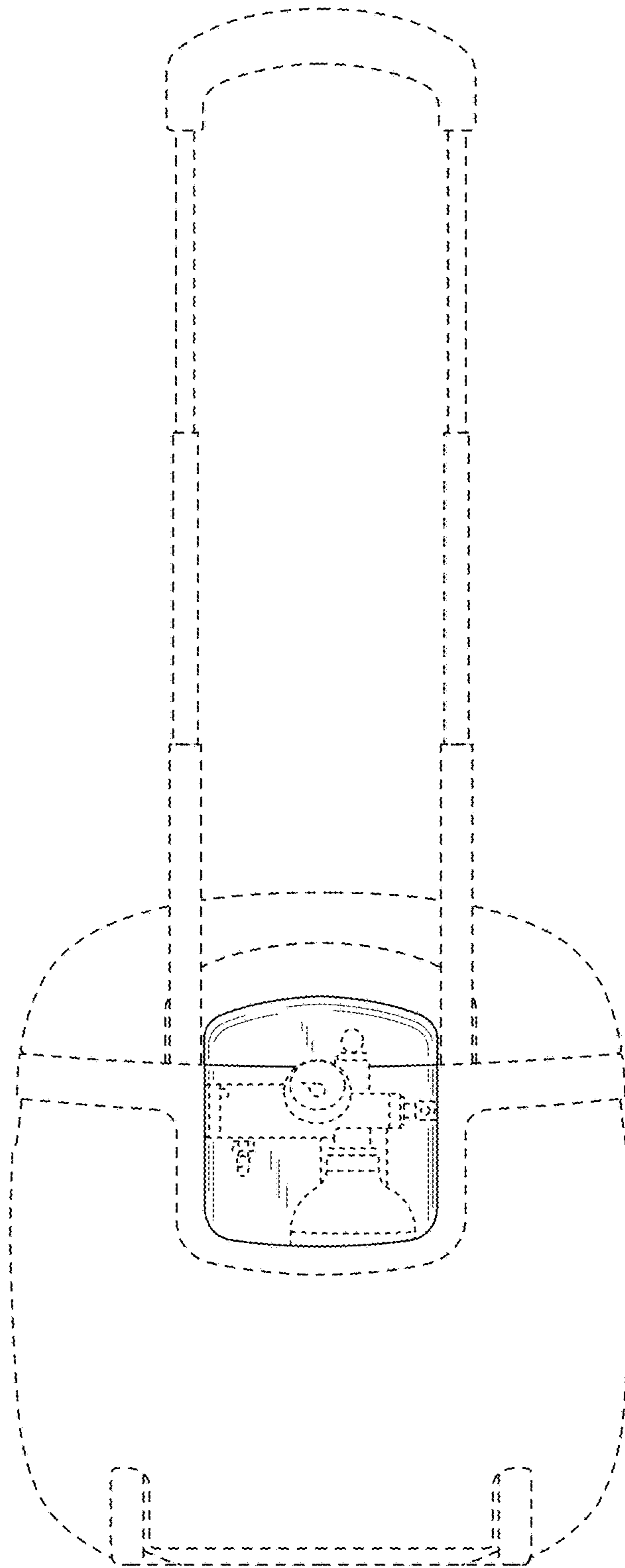


FIG. 4

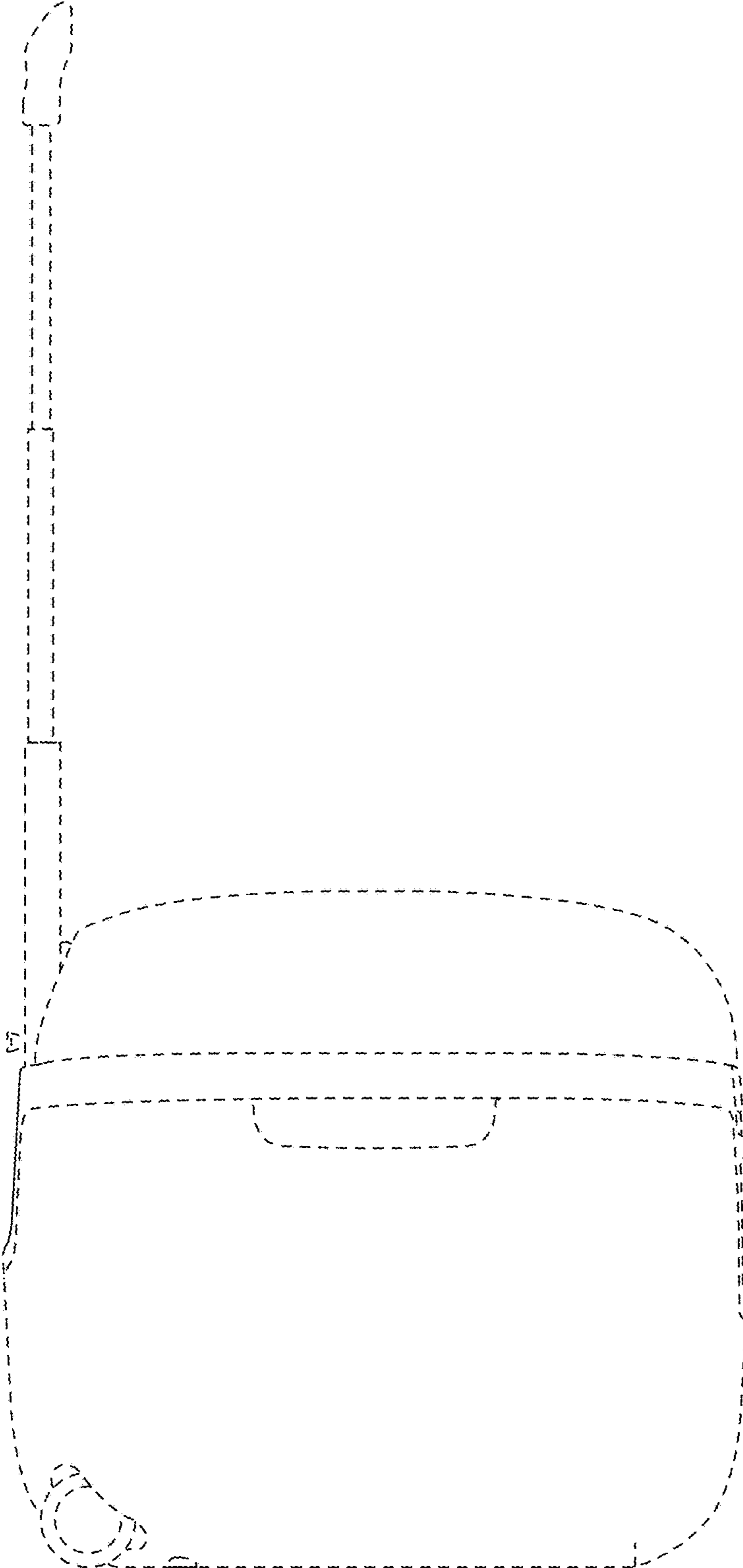


FIG. 5



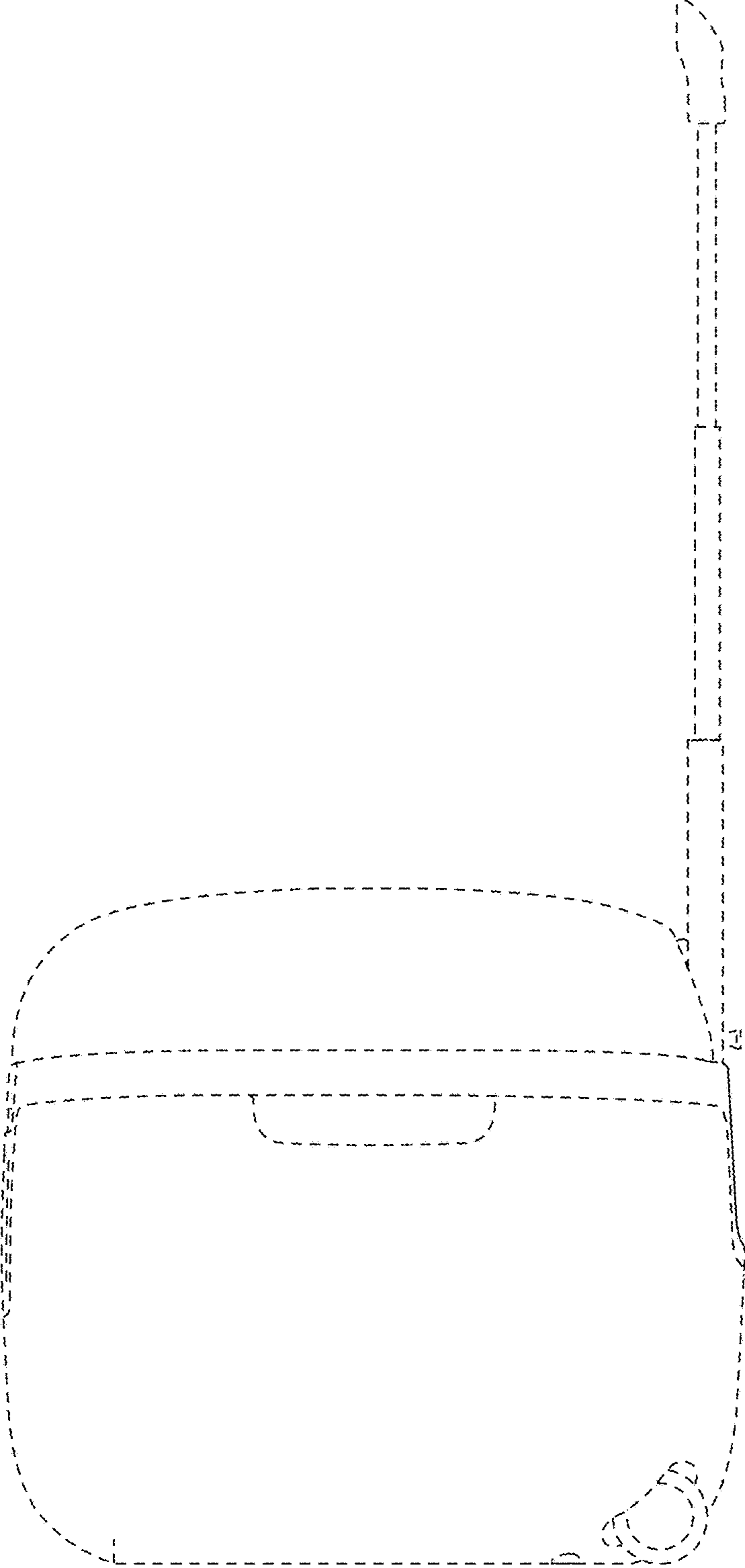


FIG. 6

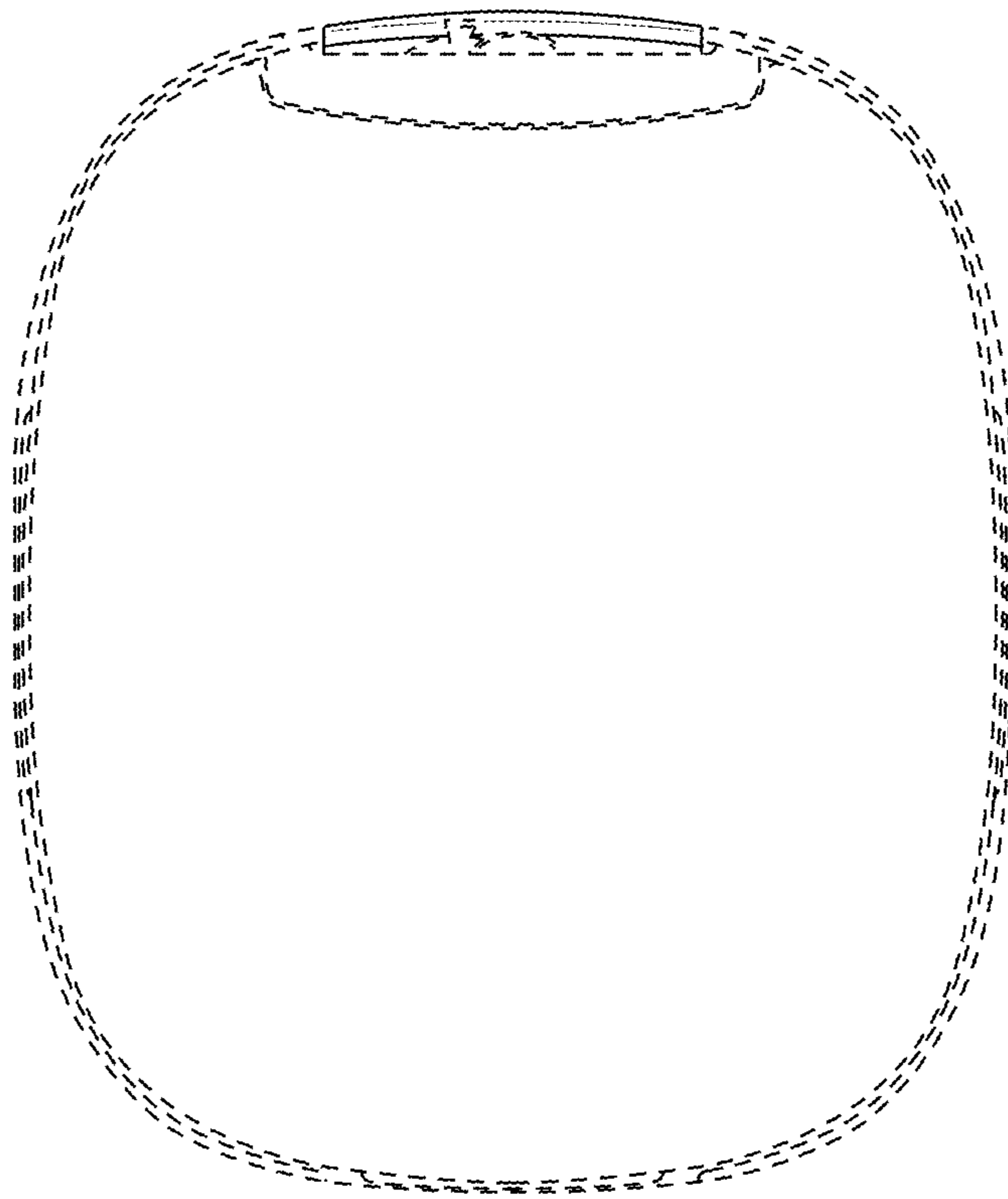


FIG. 7

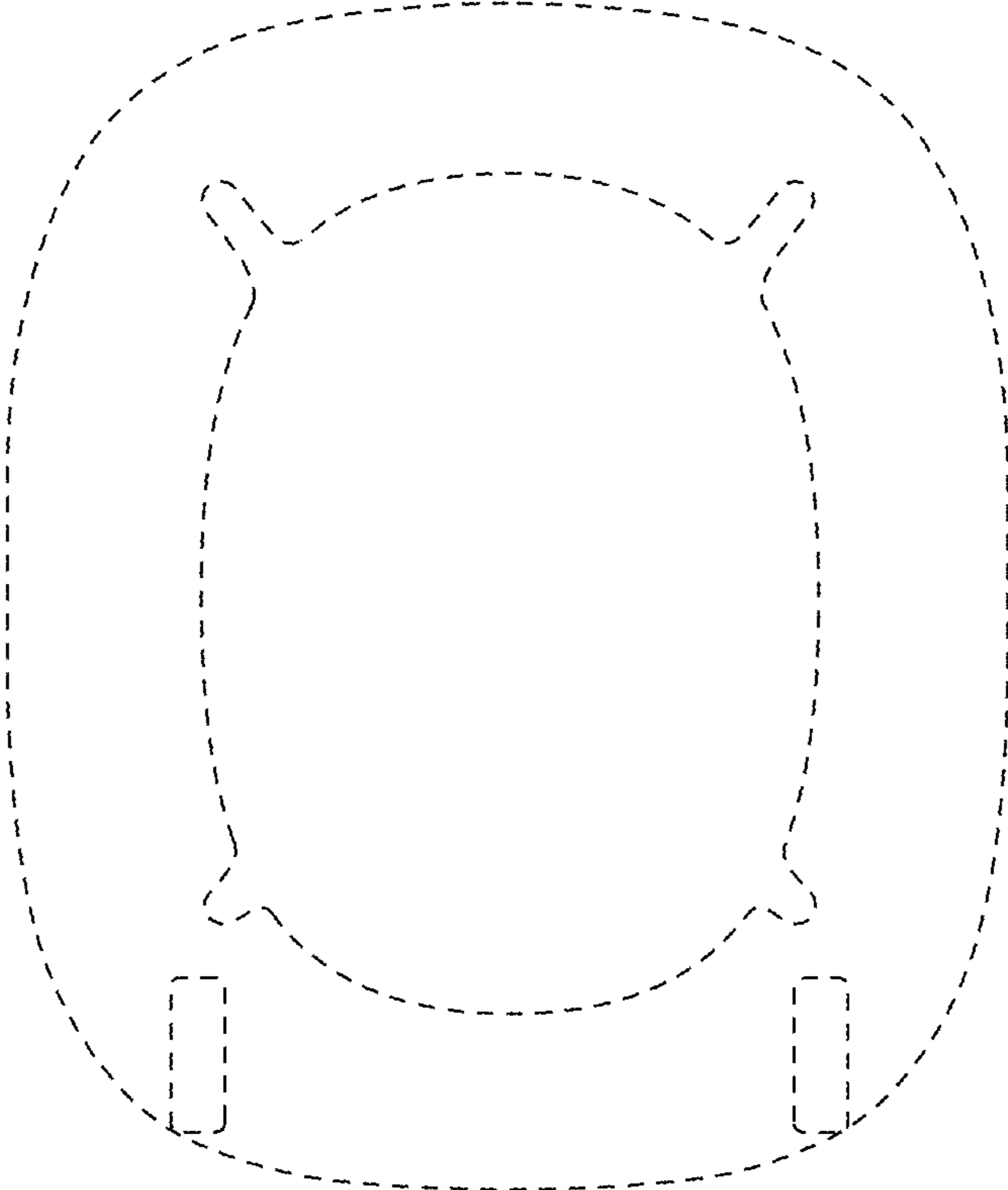


FIG. 8

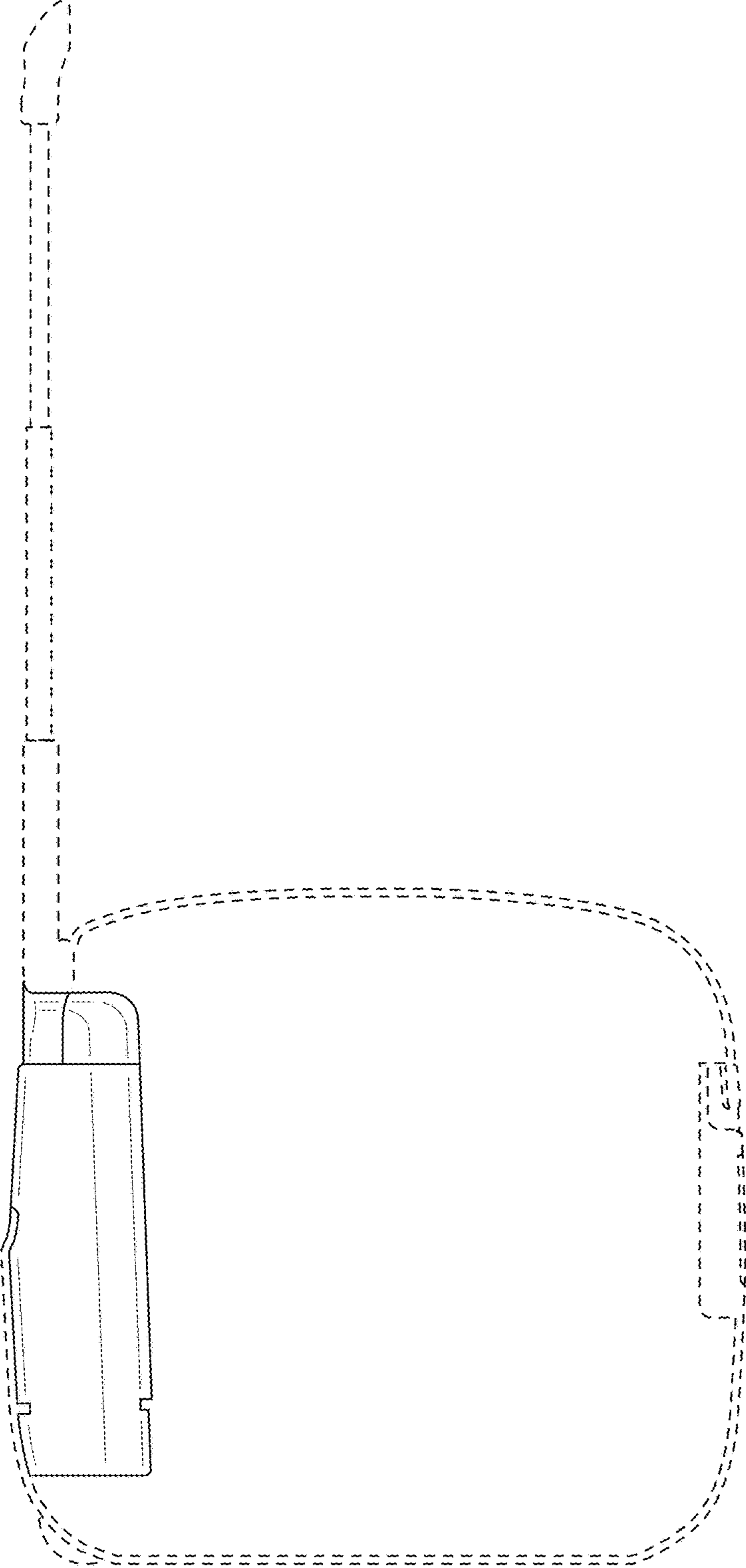


FIG. 9