



US00D819221S

(12) **United States Design Patent**  
**Lei**

(10) **Patent No.:** **US D819,221 S**  
(45) **Date of Patent:** **\*\* May 29, 2018**

- (54) **SKIN TREATMENT APPARATUS**
- (71) Applicant: **Shenzhen Peninsula Medical Co., Ltd., Shenzhen (CN)**
- (72) Inventor: **Xiaobing Lei, Shenzhen (CN)**
- (73) Assignee: **Shenzhen Peninsula Medical Co., Ltd., Shenzhen (CN)**
- (\*\*) Term: **15 Years**

- D609,361 S \* 2/2010 McGarry ..... D24/133
- D646,396 S \* 10/2011 Seki ..... D24/107
- D652,523 S \* 1/2012 Bradley ..... D24/209
- D656,620 S \* 3/2012 Altshuler ..... D24/209
- D659,843 S \* 5/2012 Wang ..... D24/200
- D660,448 S \* 5/2012 Lum ..... D24/209
- D692,570 S \* 10/2013 Luzon ..... D24/215
- D695,903 S \* 12/2013 Tamsiran ..... D24/209
- D705,939 S \* 5/2014 Bradley ..... D24/209
- D706,980 S \* 6/2014 Tasar ..... D24/133
- D708,440 S \* 7/2014 Owen ..... D4/102
- D771,389 S \* 11/2016 Since ..... D24/200
- D773,823 S \* 12/2016 Wong ..... D4/102

(Continued)

(21) Appl. No.: **29/600,311**

(22) Filed: **Apr. 11, 2017**

(30) **Foreign Application Priority Data**

Mar. 3, 2017 (CN) ..... 2017 3 0059401

(51) **LOC (11) Cl.** ..... **28-03**

(52) **U.S. Cl.**  
USPC ..... **D24/200**

(58) **Field of Classification Search**  
USPC ..... D4/100, 102, 111, 119, 127, 138;  
D24/107, 200, 206, 209, 211, 214, 215;  
D28/57, 58

CPC ..... A46B 5/00; A46B 5/079; A46B 5/0095;  
A46B 5/021; A46B 13/00; A46B 13/02;  
A46B 13/001; A46B 2200/00; A46B  
2200/10; A46B 2200/102; A46B  
2200/1006; A61H 9/00; A61H 2205/00;  
A61H 2205/022-2205/028

See application file for complete search history.

(56) **References Cited**

**U.S. PATENT DOCUMENTS**

- D298,775 S \* 11/1988 Lee ..... D24/214
- D377,394 S \* 1/1997 Tillman ..... D24/215
- D535,746 S \* 1/2007 Grove ..... D24/144
- D561,343 S \* 2/2008 Liang ..... D24/215

**FOREIGN PATENT DOCUMENTS**

- WO WO-2006049192 A1 \* 5/2006 ..... A61B 5/0059
- WO WO-2014187927 A1 \* 11/2014 ..... A61N 5/0616

*Primary Examiner* — Wan Laymon

*Assistant Examiner* — Clint A Samuel

(74) *Attorney, Agent, or Firm* — Syncoda LLC; Feng Ma; Junjie Feng

(57) **CLAIM**

The ornamental design for a skin treatment apparatus, substantially as shown and described.

**DESCRIPTION**

FIG. 1 is a front view of a skin treatment apparatus showing my new design;

FIG. 2 is a rear view of the skin treatment apparatus;

FIG. 3 is a left side view of the skin treatment apparatus;

FIG. 4 is a right side view of the skin treatment apparatus;

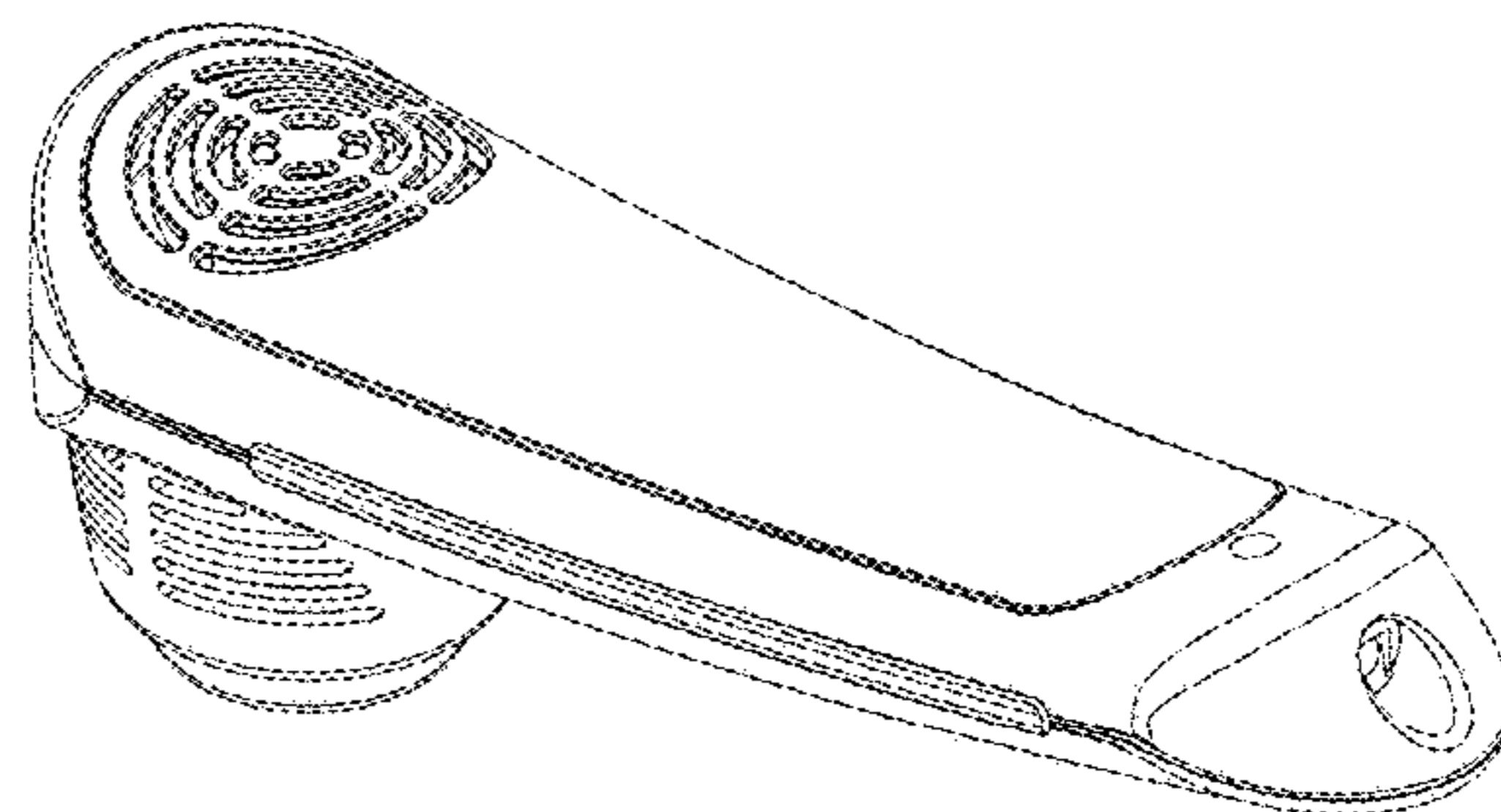
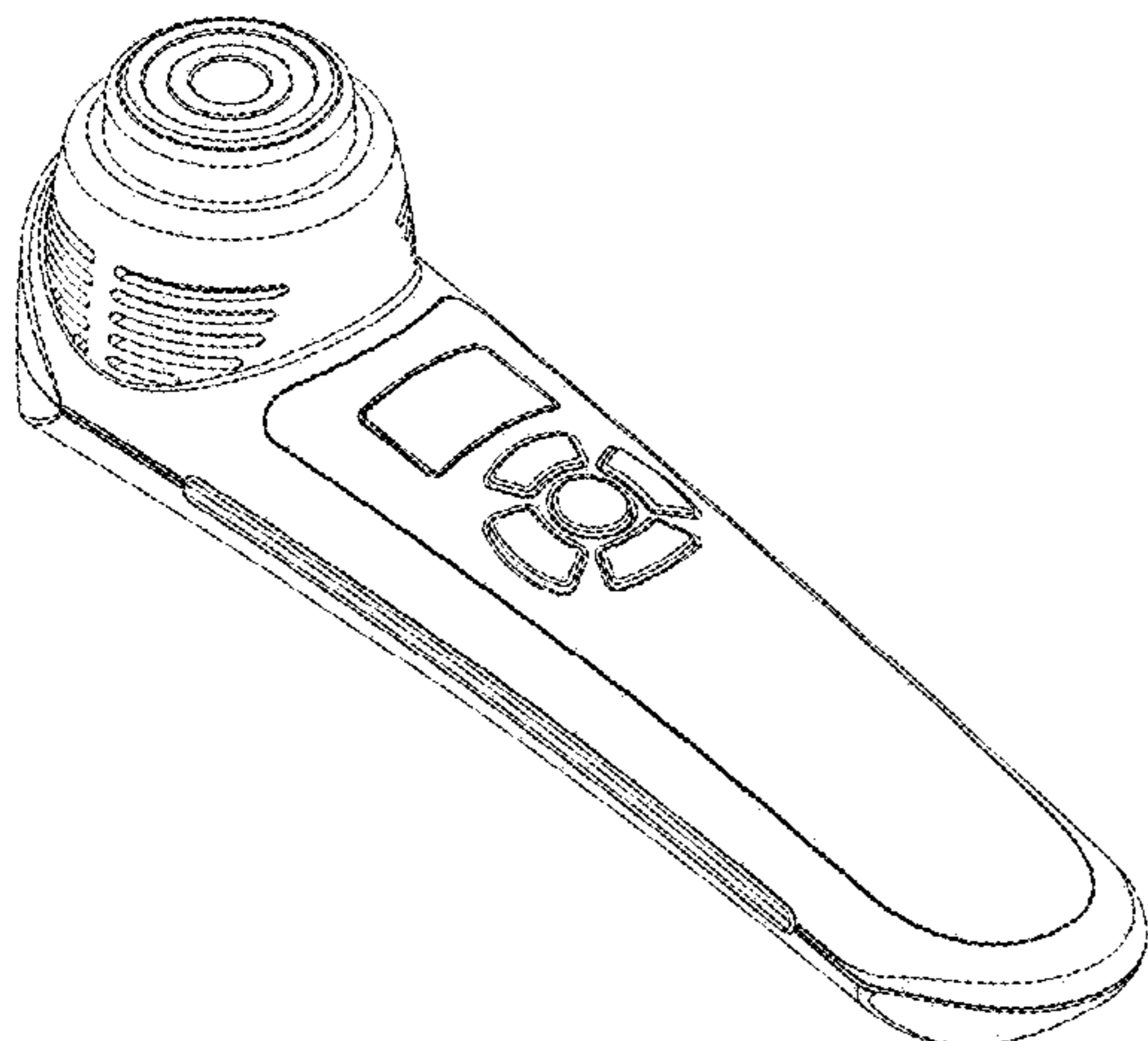
FIG. 5 is a top view of the skin treatment apparatus;

FIG. 6 is a bottom view of the skin treatment apparatus;

FIG. 7 is a first perspective view of the skin treatment apparatus; and,

FIG. 8 is a second perspective view of the skin treatment apparatus.

**1 Claim, 8 Drawing Sheets**



(56)

**References Cited**

U.S. PATENT DOCUMENTS

D782,659 S \* 3/2017 Mehta ..... D24/119  
D791,960 S \* 7/2017 Guanying ..... D24/209  
D797,302 S \* 9/2017 Vahlensieck ..... D24/209  
D802,841 S \* 11/2017 Kling ..... D28/44.1  
D805,781 S \* 12/2017 Szymanski ..... D4/102  
2013/0158547 A1\* 6/2013 David ..... A61B 18/14  
606/41  
2014/0207217 A1\* 7/2014 Lischinsky ..... A61B 18/1206  
607/102  
2016/0045081 A1\* 2/2016 Kern ..... A47K 7/043  
15/22.4  
2016/0183743 A1\* 6/2016 Sueyoshi ..... A61H 35/008  
15/21.1  
2016/0270821 A1\* 9/2016 Hendler ..... A61B 17/54  
2017/0086627 A1\* 3/2017 Fang ..... A47K 7/043  
2018/0092449 A1\* 4/2018 Straka ..... A45D 34/042

\* cited by examiner

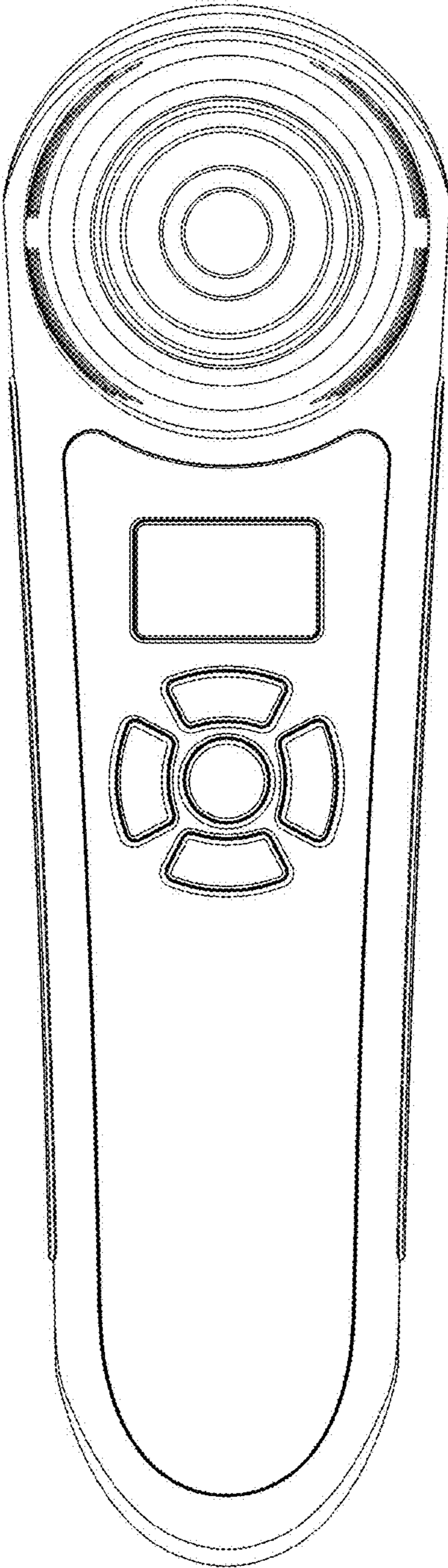


FIG. 1

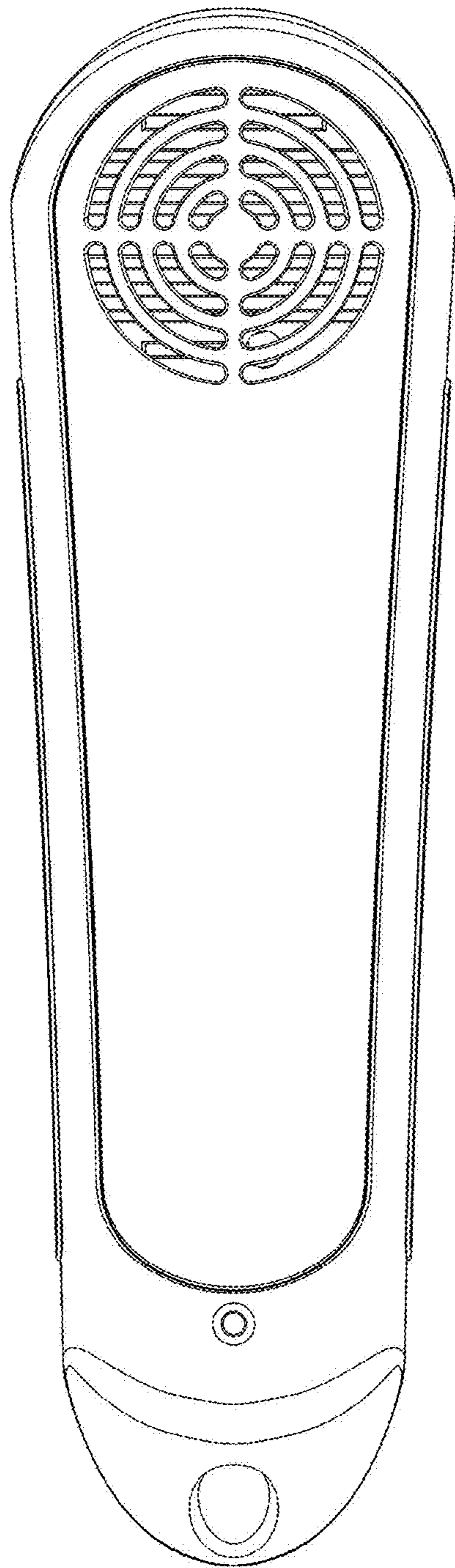


FIG. 2



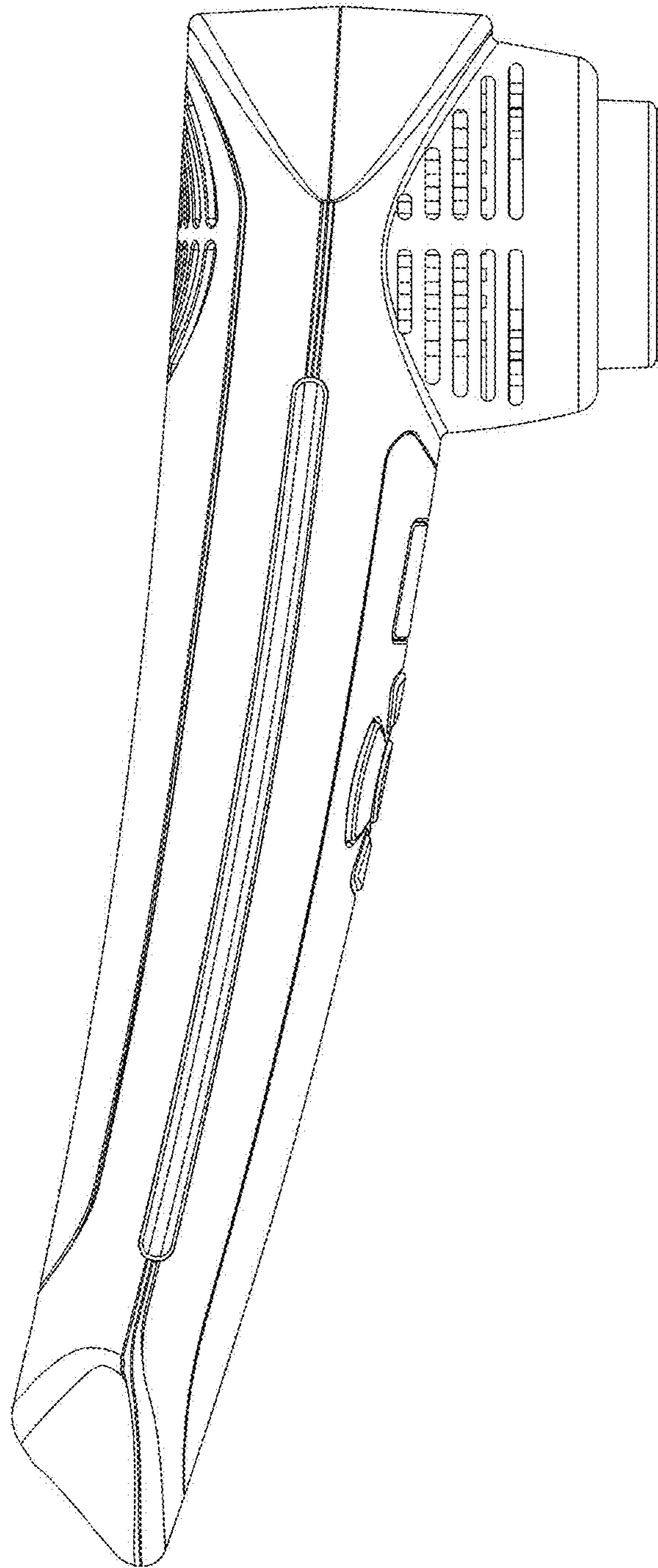


FIG. 3

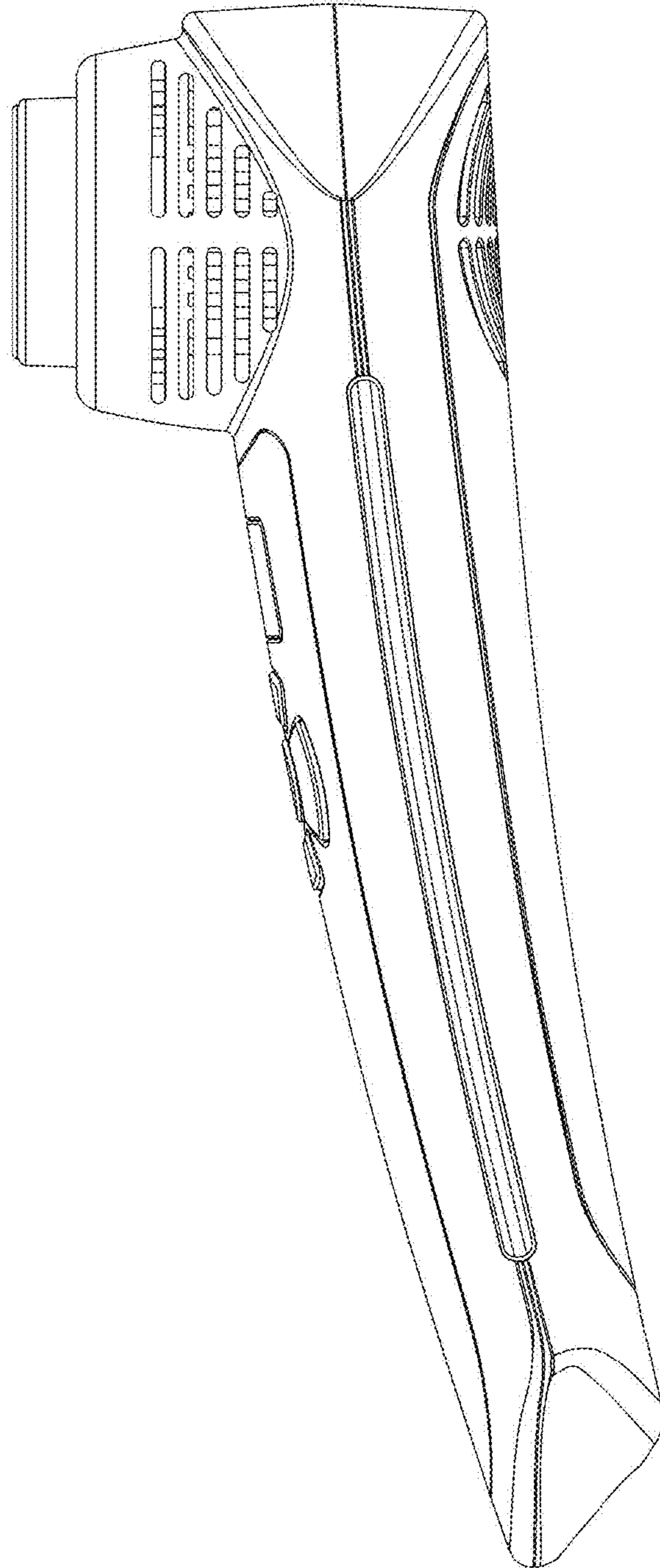


FIG. 4

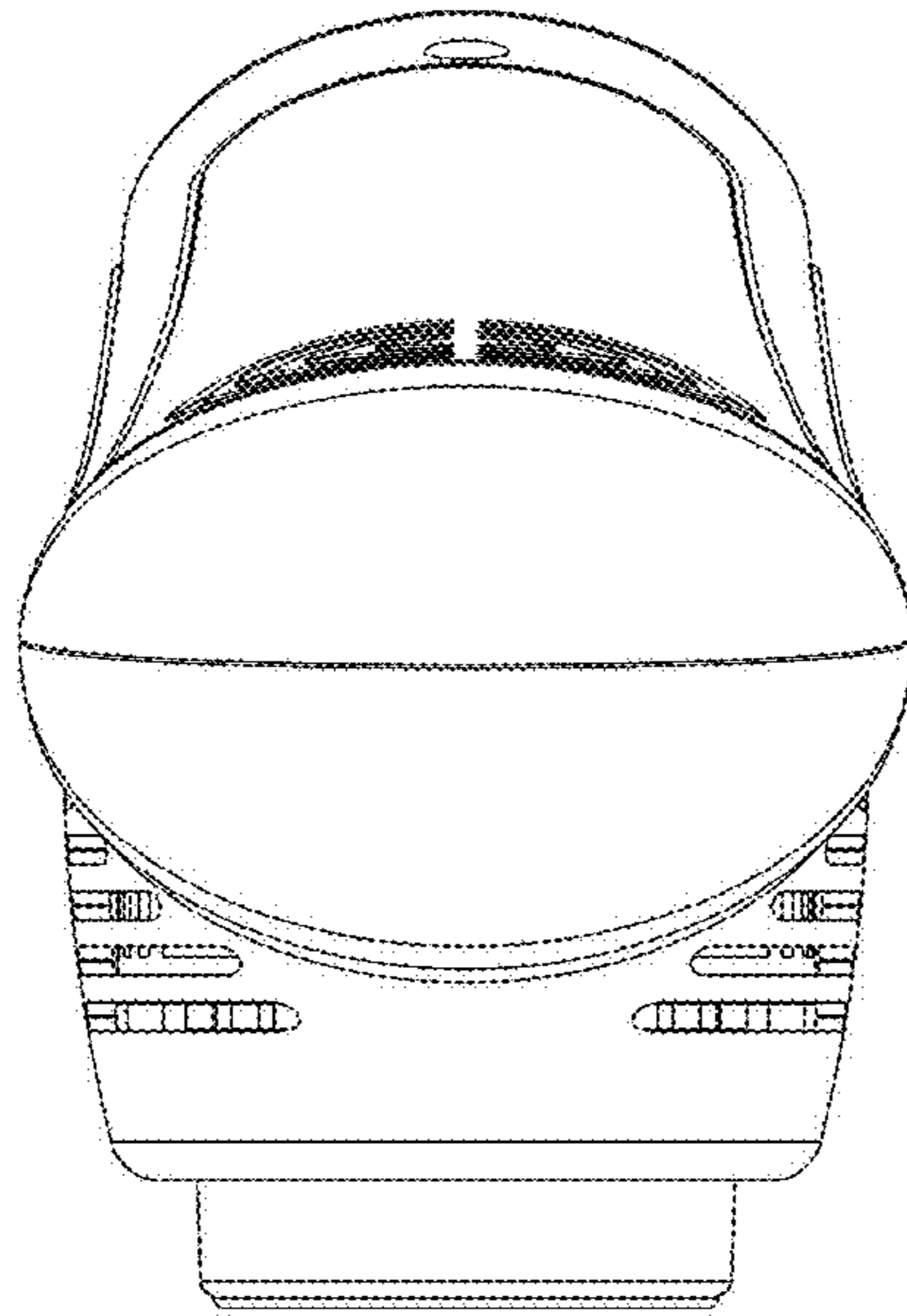


FIG. 5

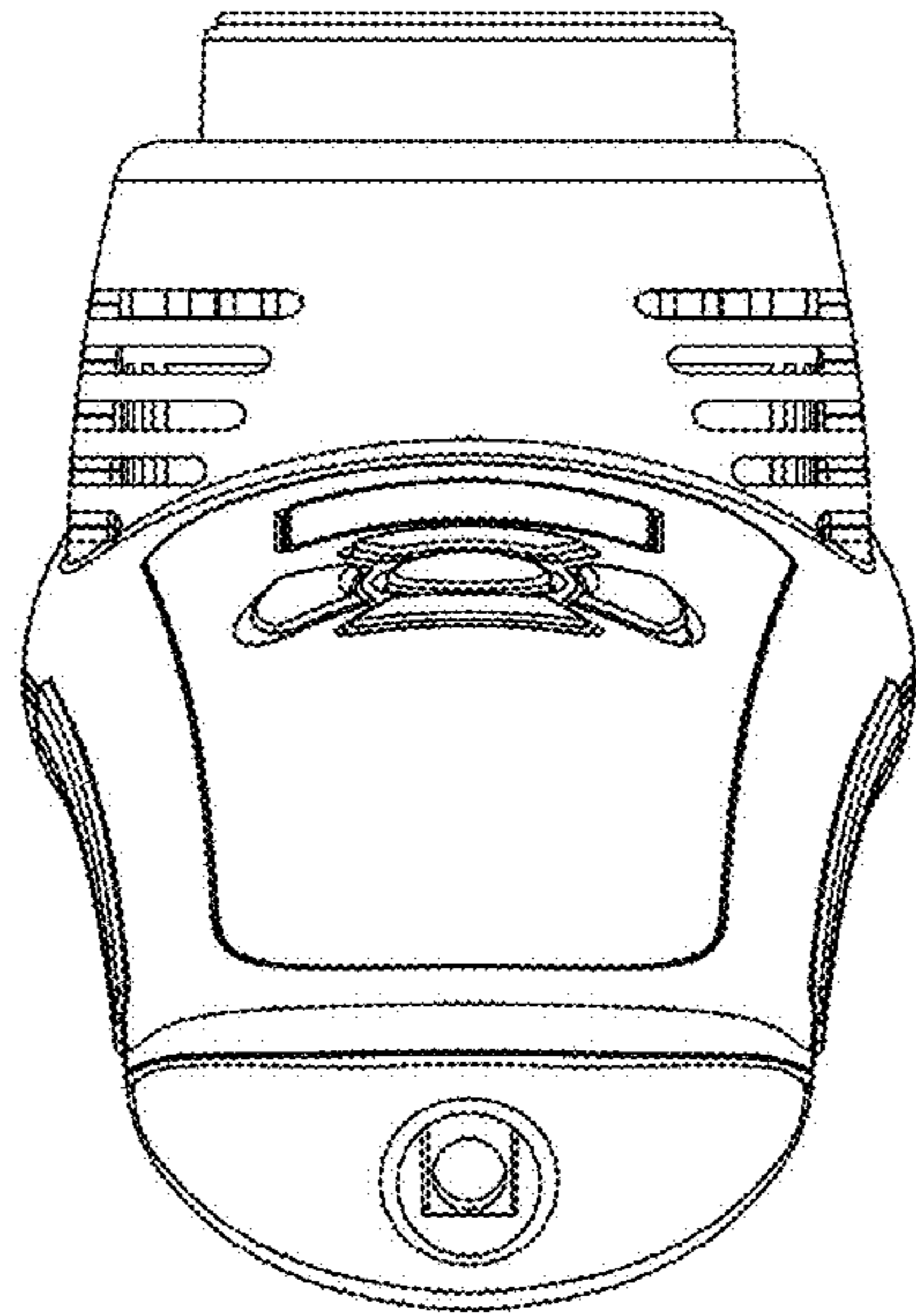


FIG. 6



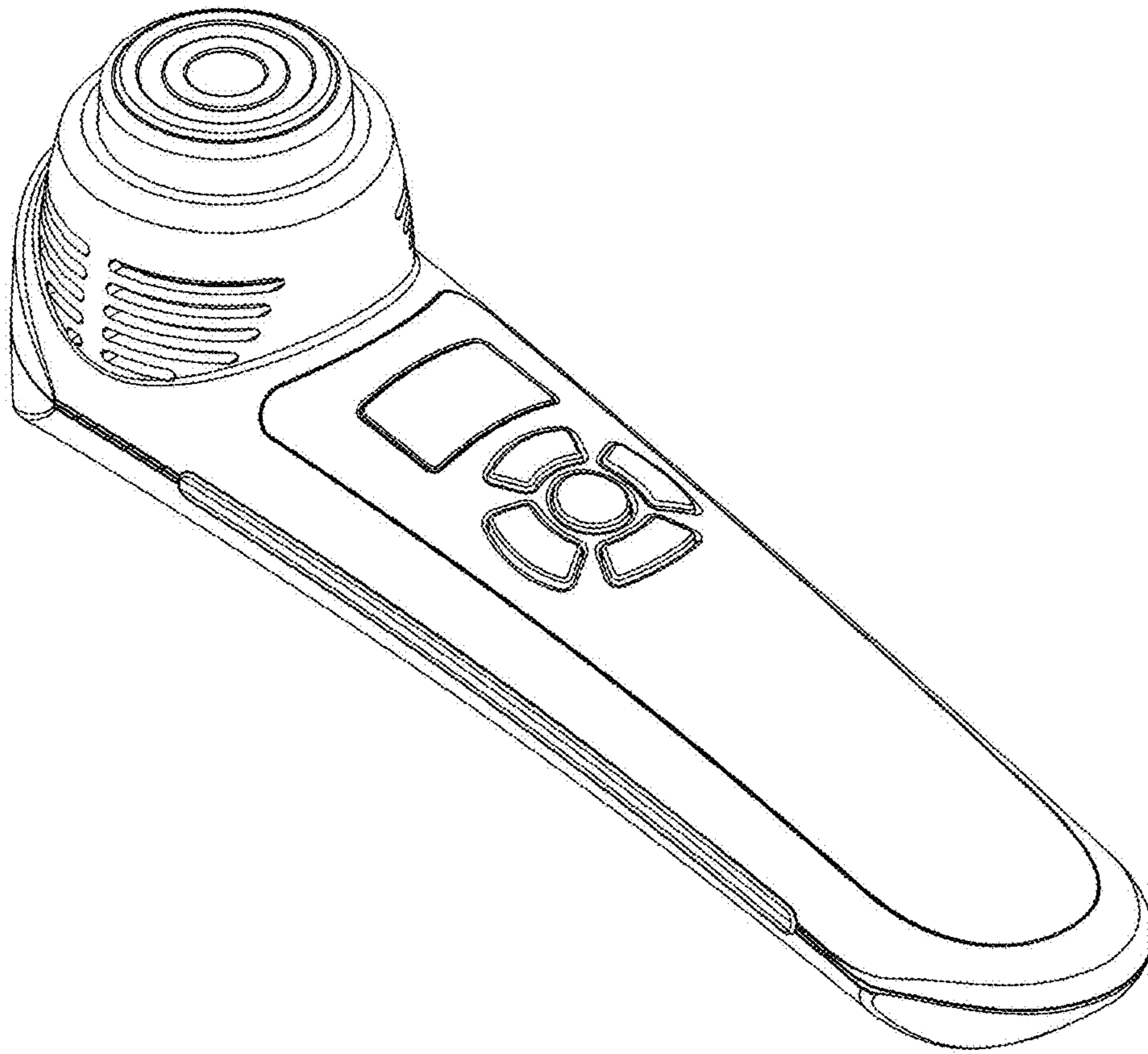


FIG. 7

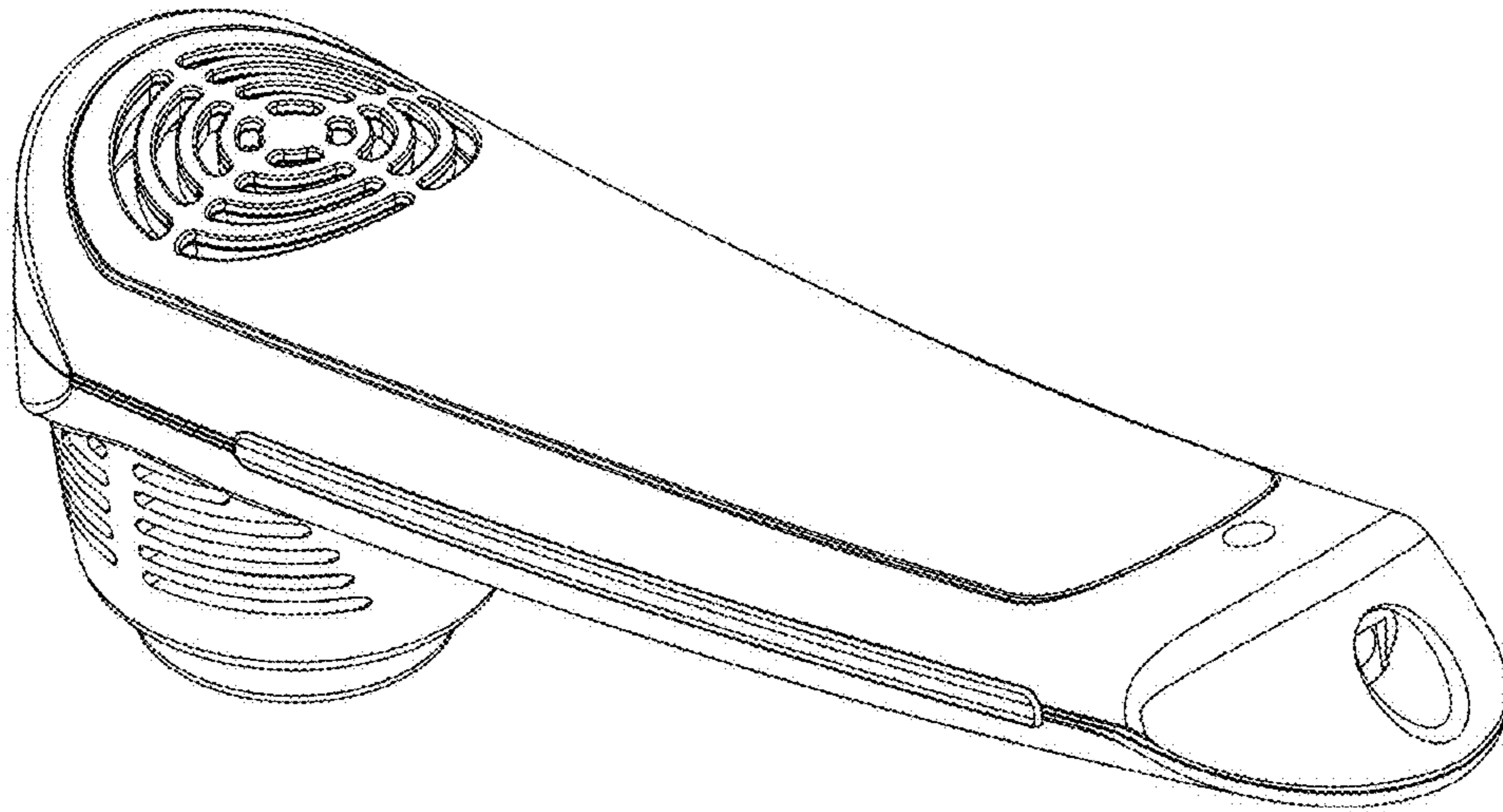


FIG. 8