



US00D819219S

(12) **United States Design Patent**
Izuka et al.

(10) **Patent No.:** **US D819,219 S**
(45) **Date of Patent:** **** May 29, 2018**

(54) **FIXATION ELBOW SPLINT**

(71) Applicant: **WEBER ORTHOPEDIC INC.**, Santa Paula, CA (US)

(72) Inventors: **Byron H. Izuka**, Aiea, HI (US); **Jamie McMillan**, Billings, MT (US); **Martha Ortega**, Oxnard, CA (US); **David Cormier**, Oxnard, CA (US)

(73) Assignee: **Weber Orthopedic, Inc.**, Santa Paula, CA (US)

(**) Term: **15 Years**

(21) Appl. No.: **29/577,678**

(22) Filed: **Sep. 14, 2016**

(51) **LOC (11) Cl.** **24-02**

(52) **U.S. Cl.**
USPC **D24/190**

(58) **Field of Classification Search**
USPC D24/190
CPC .. A61F 5/0118; A61F 5/0123; A61F 5/05866;
A61H 3/00; A61H 2003/007; A61H 2205/10

See application file for complete search history.

(56) **References Cited**

U.S. PATENT DOCUMENTS

D666,301 S *	8/2012	Joseph	D24/190
D678,536 S *	3/2013	Niefer	D24/190
D720,860 S *	1/2015	Meyer	D24/190
2008/0249448 A1 *	10/2008	Stevenson	A61F 5/0125 602/16
2009/0112134 A1 *	4/2009	Avni	A61H 23/0263 601/15
2009/0149790 A1 *	6/2009	Farrell	A61F 5/0118 602/20
2012/0004586 A1 *	1/2012	Martino	A61F 5/0118 602/20

(Continued)

Primary Examiner — Charles D Hanson

(74) *Attorney, Agent, or Firm* — Paul Y. Feng; One LLP

(57) **CLAIM**

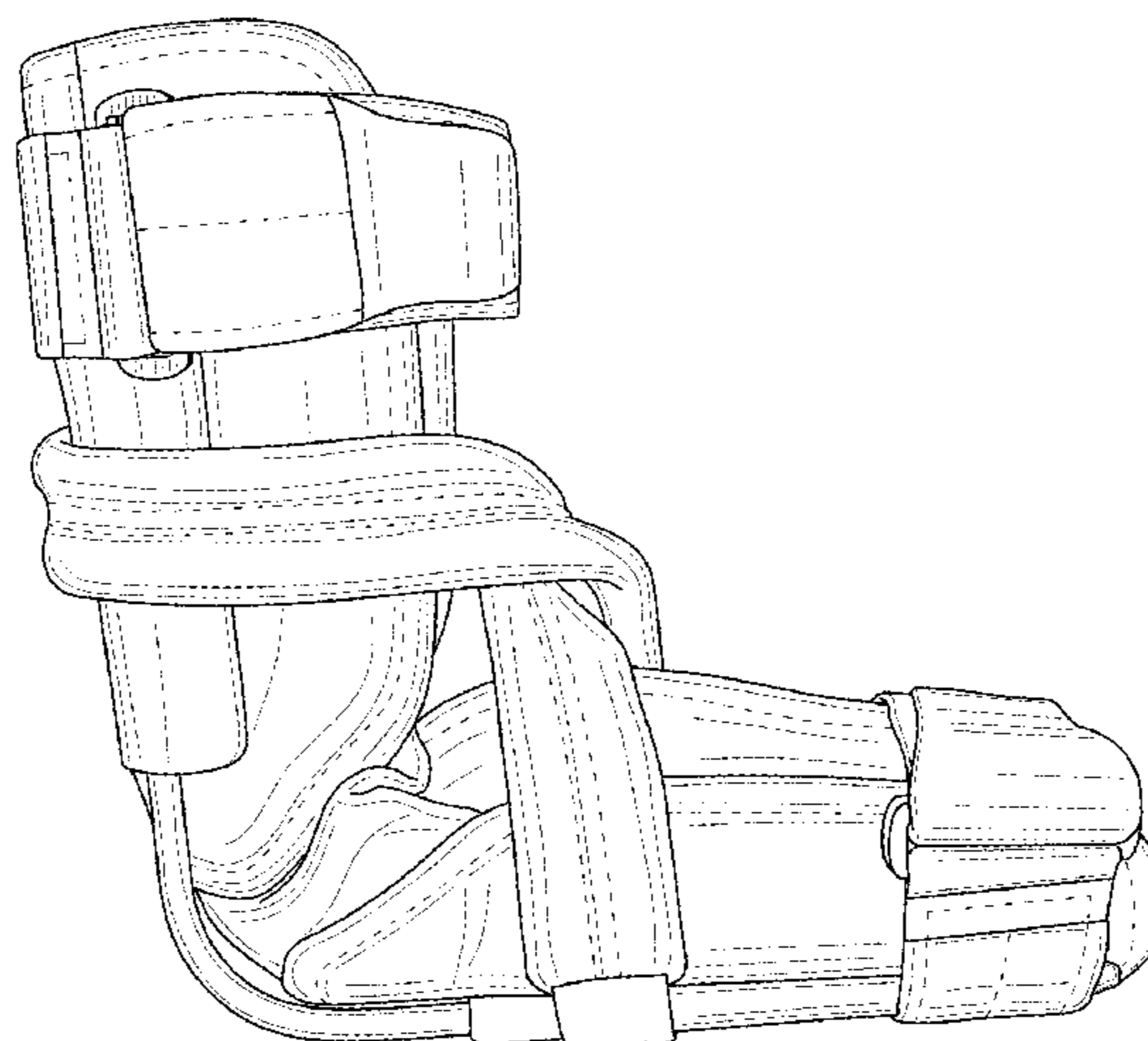
The design for a fixation elbow splint, as shown and described.

DESCRIPTION

FIG. 1 is a right side elevational view of our new fixation elbow splint design;
 FIG. 2 is a left side elevational view of our new fixation elbow splint design;
 FIG. 3 is a front elevational view;
 FIG. 4 is a rear elevational view;
 FIG. 5 is a top plan view;
 FIG. 6 is a bottom view;
 FIG. 7 is a rear view with the straps open;
 FIG. 8 is a bottom view with the straps open;
 FIG. 9 is a top plan view with the straps and splint open showing the interior;
 FIG. 10 is a rear perspective view with some straps removed;
 FIG. 11 is another front view with the splint open and some straps removed;
 FIG. 12 is a bottom perspective view with some straps removed;
 FIG. 13 is a right side perspective view with some straps removed;
 FIG. 14 is a lateral perspective view of the splint as worn by a user; and,
 FIG. 15 is an anterior perspective view of the splint as worn by a user.

The broken lines inside the solid lines of the drawing figures indicate shading in the splint material. FIGS. 14 and 15 contain broken lines outside of the solid lines of the drawing figures that represent a user wearing the splint, and are for the purpose of illustrating environment that does not form any part of the claimed design.

1 Claim, 15 Drawing Sheets



(56)

References Cited

U.S. PATENT DOCUMENTS

2014/0024987 A1* 1/2014 Anglada A61F 5/0118
602/16
2014/0221889 A1* 8/2014 Burns A61F 5/0102
602/5

* cited by examiner

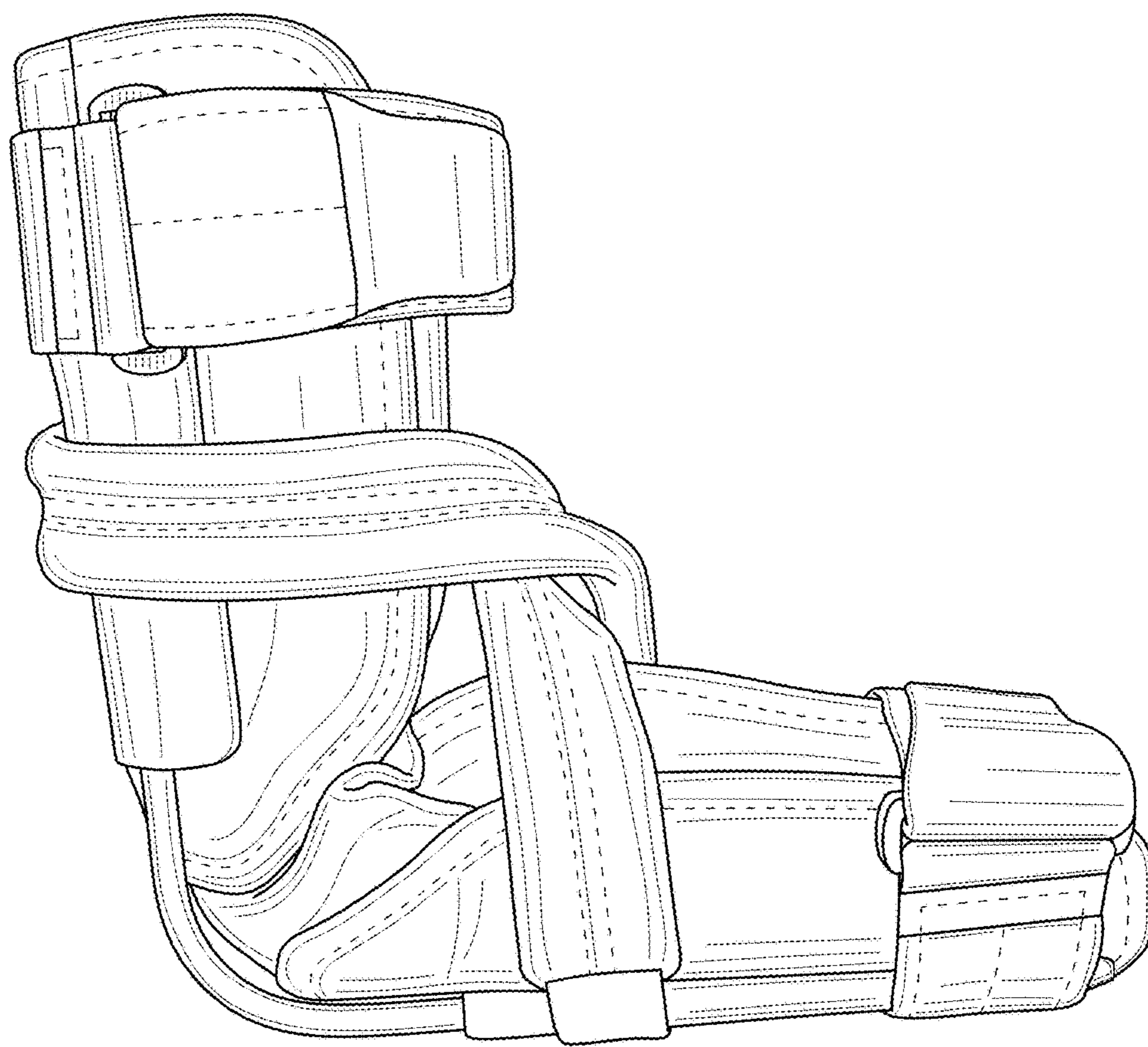


FIG. 1

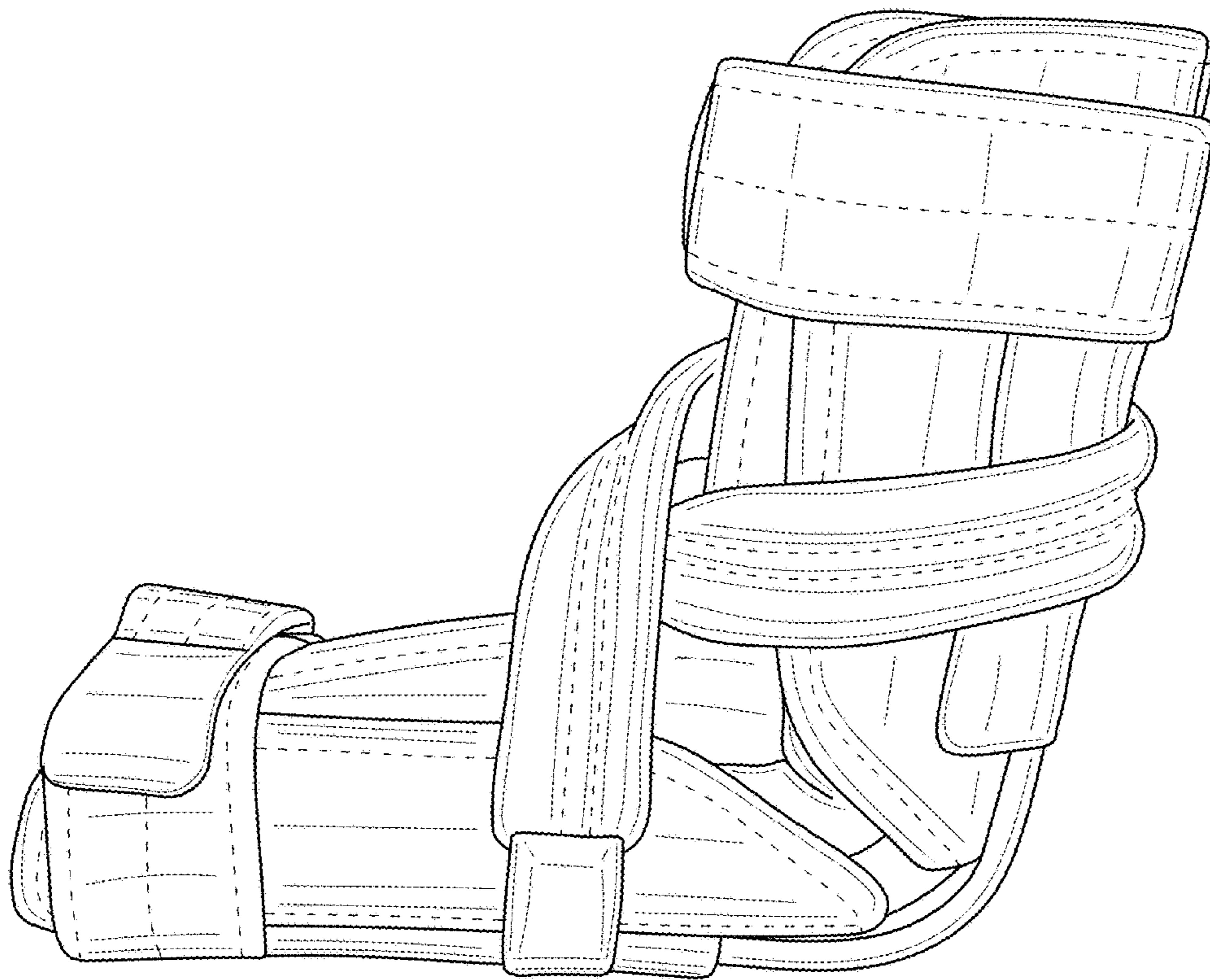


FIG. 2

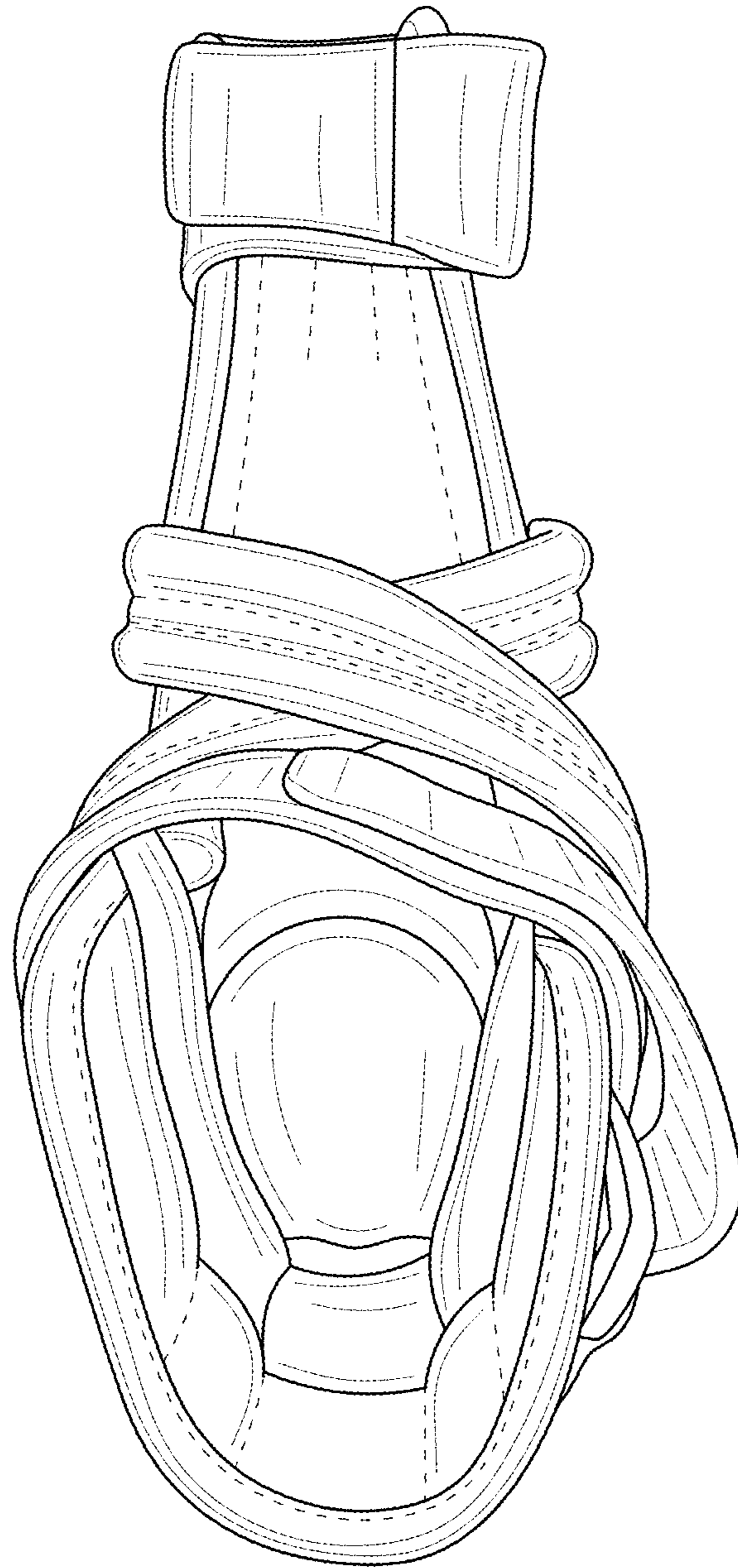


FIG. 3

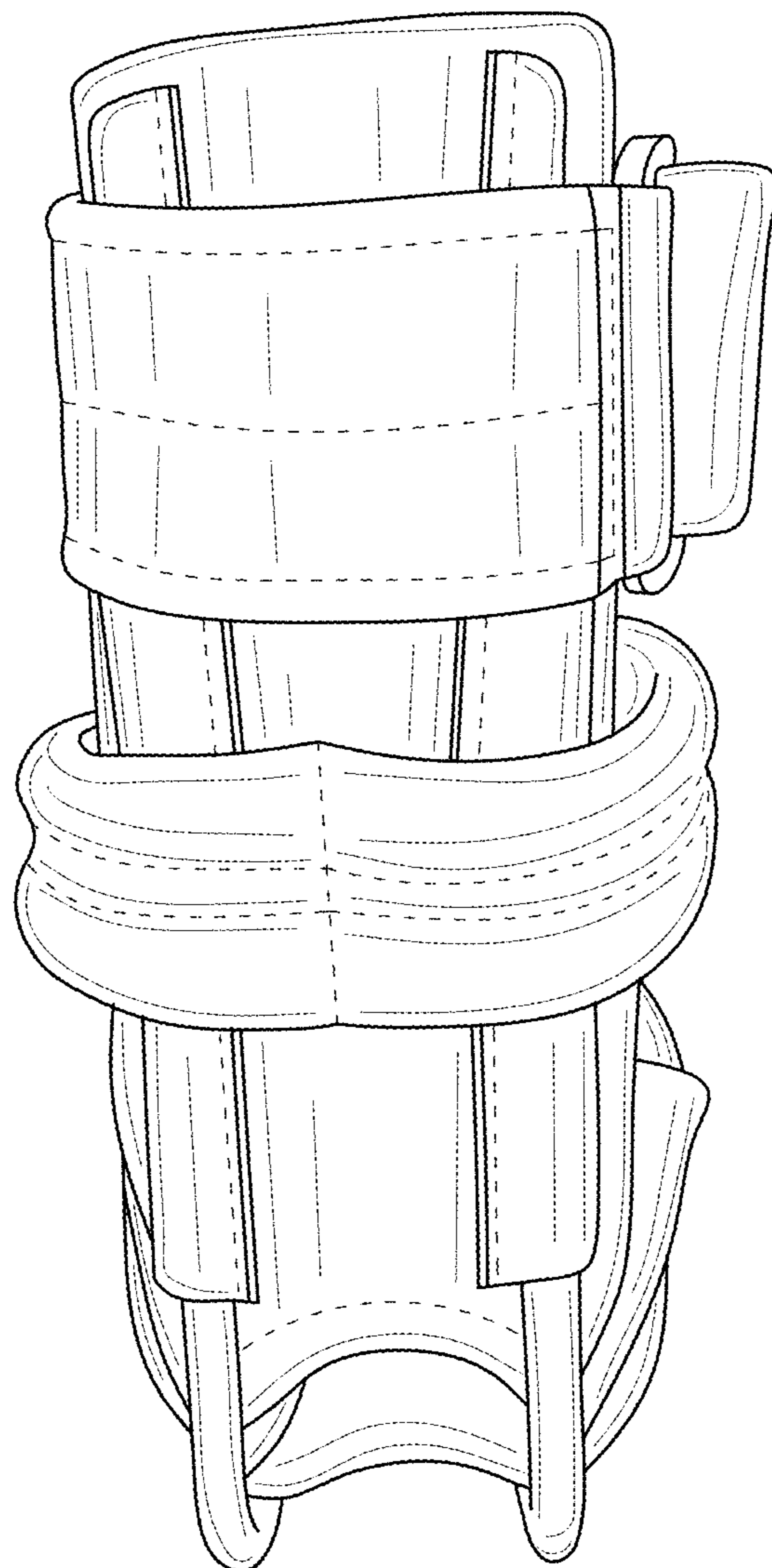


FIG. 4

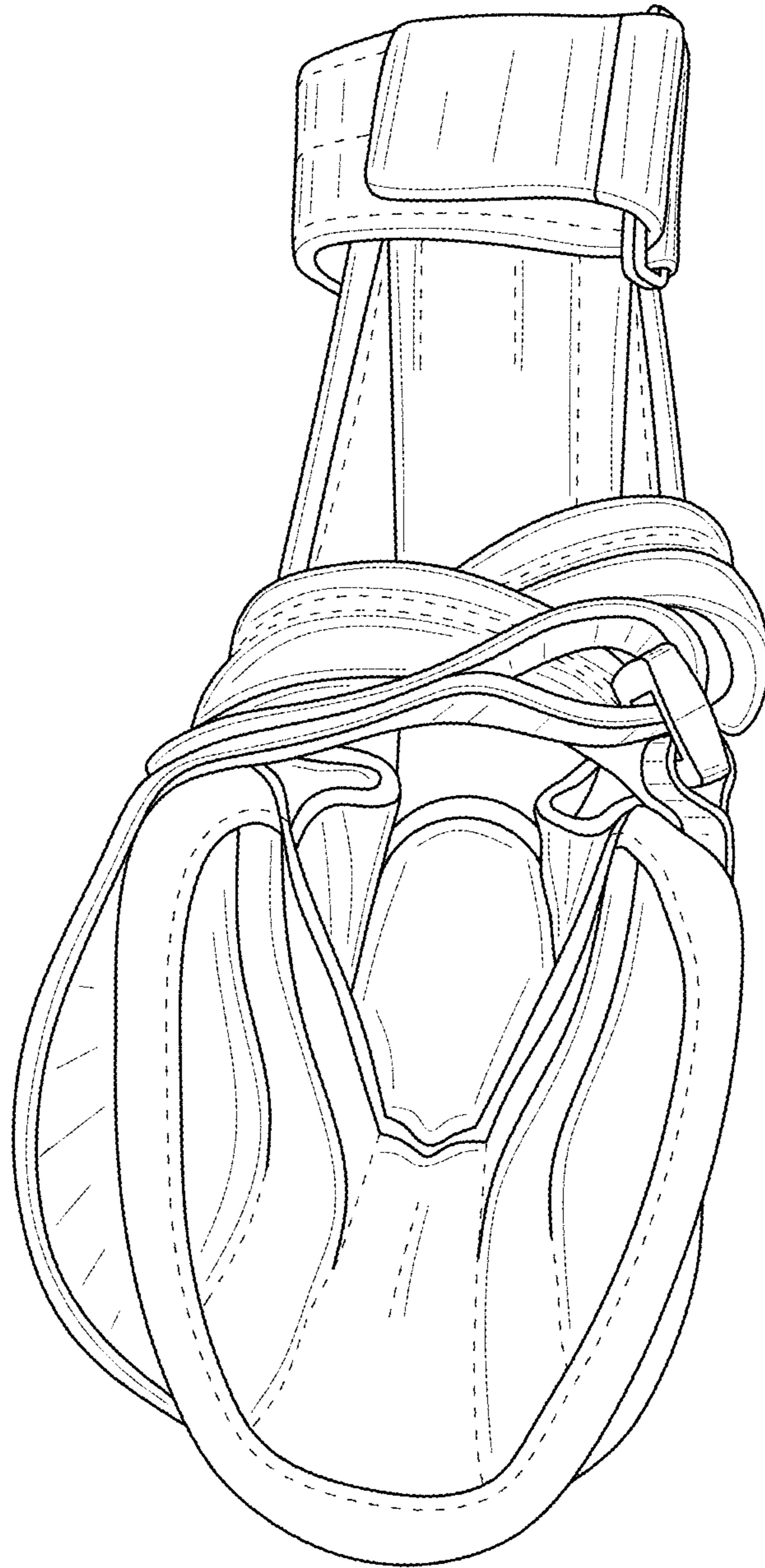


FIG. 5

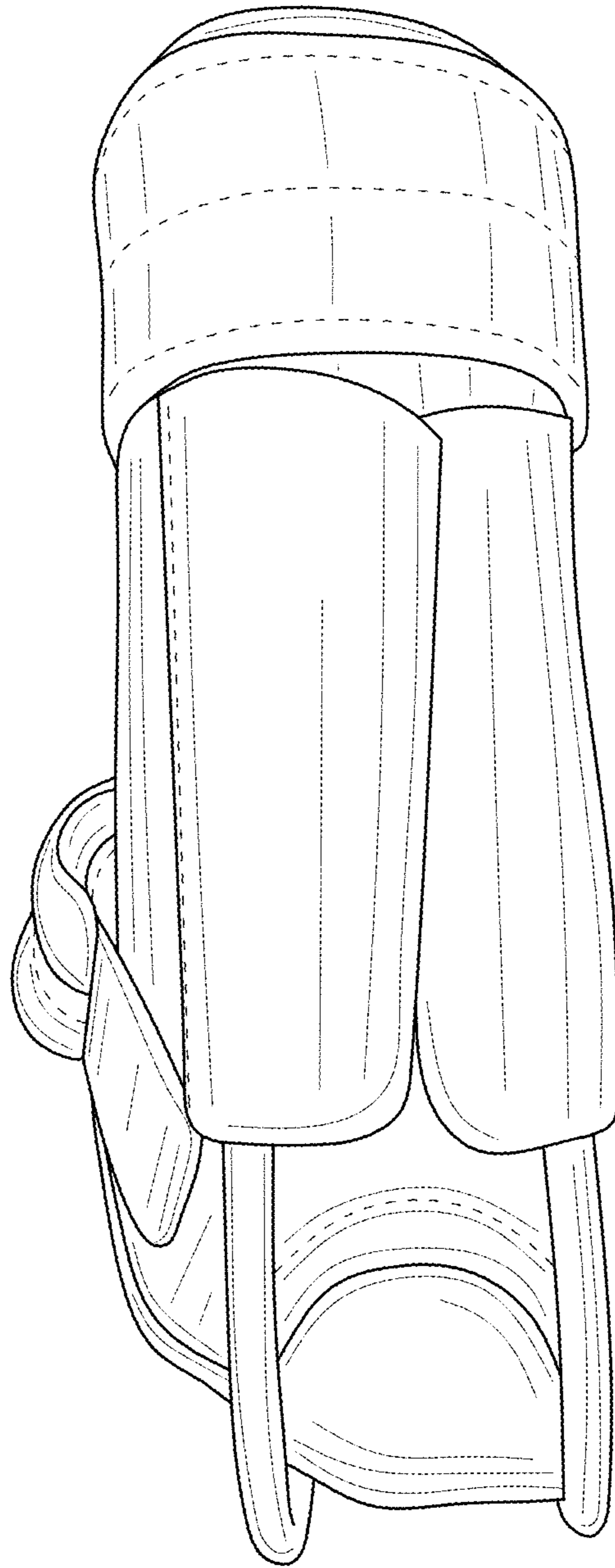


FIG. 6

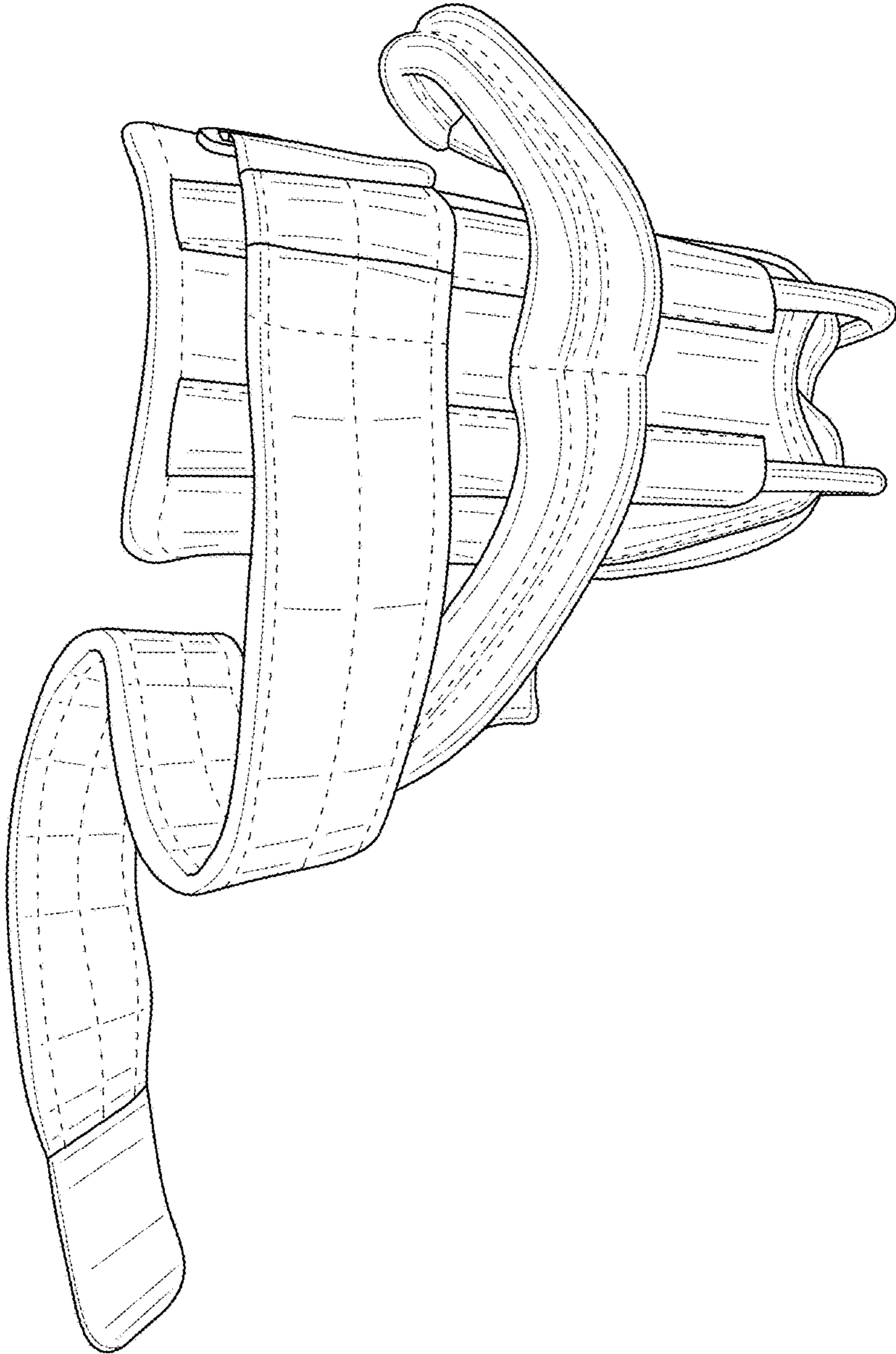


FIG. 7

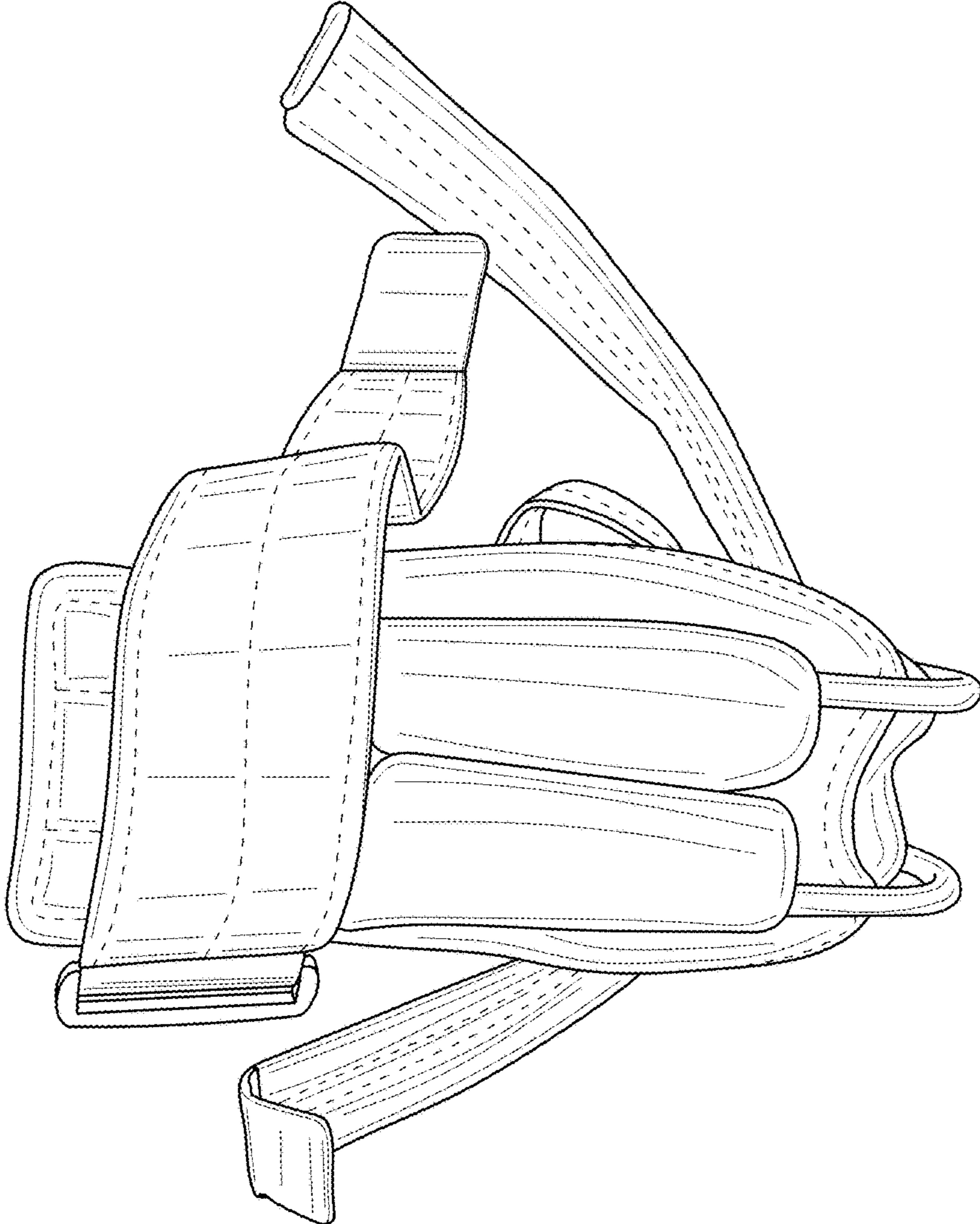


FIG. 8

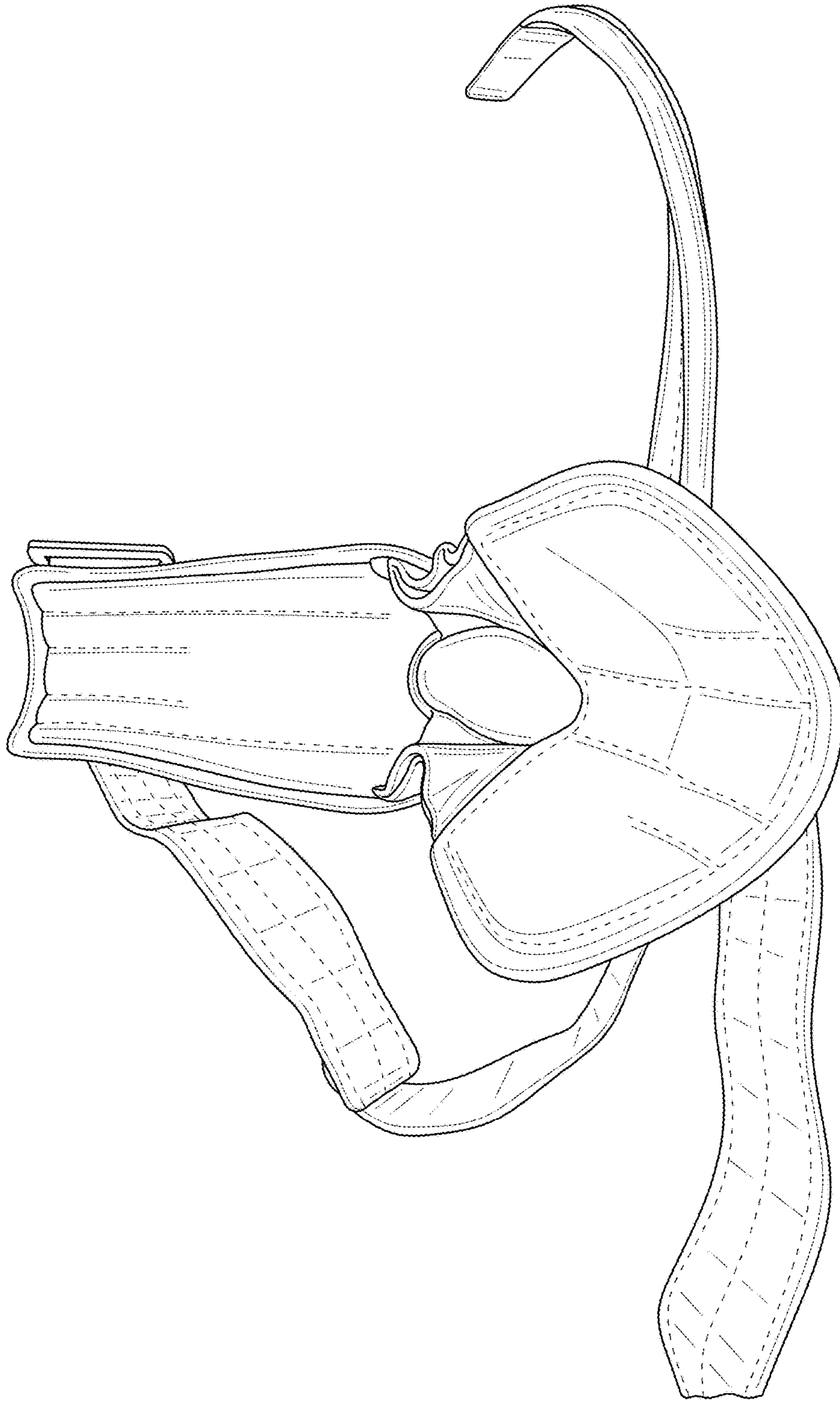


FIG. 9

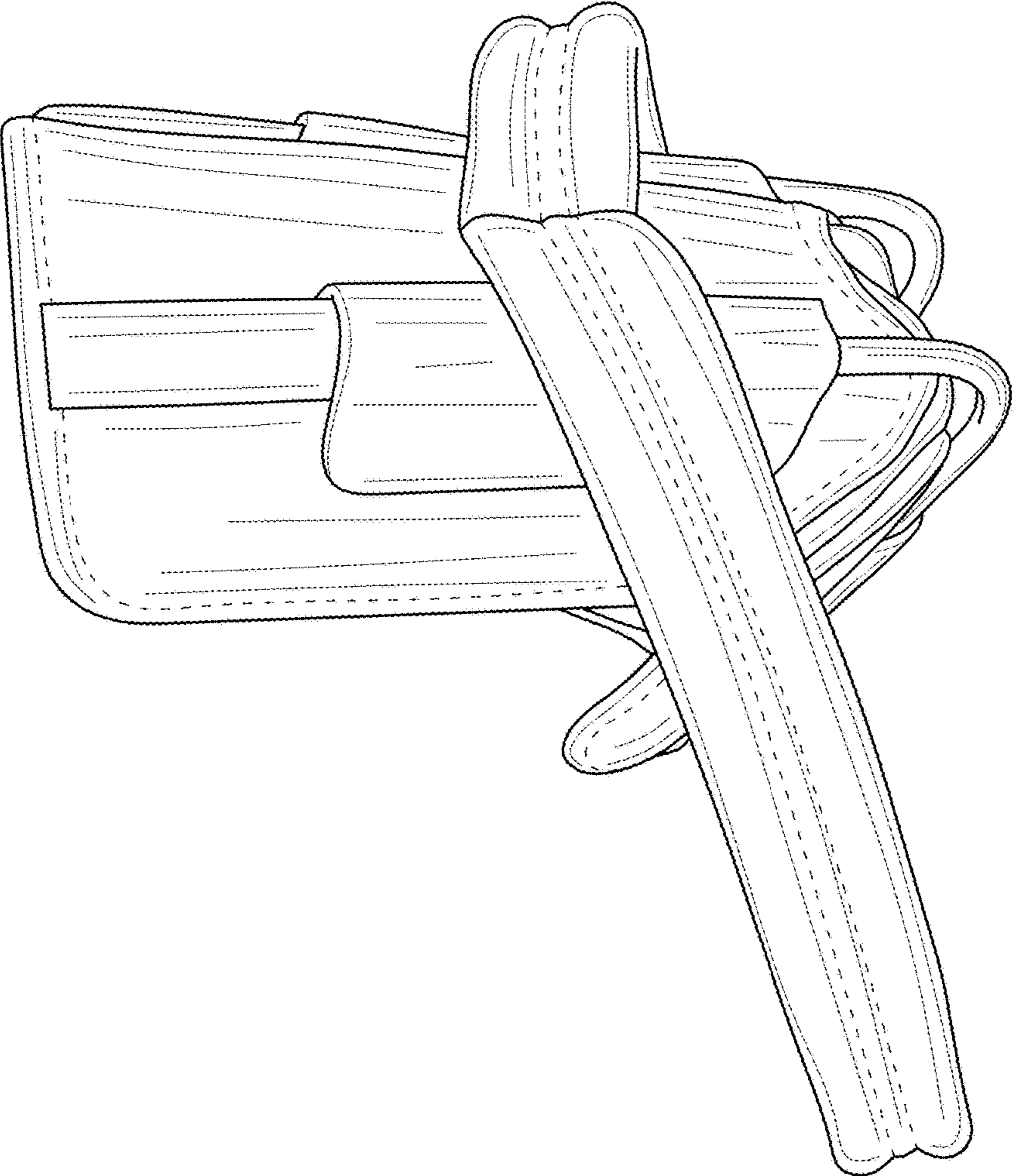


FIG. 10

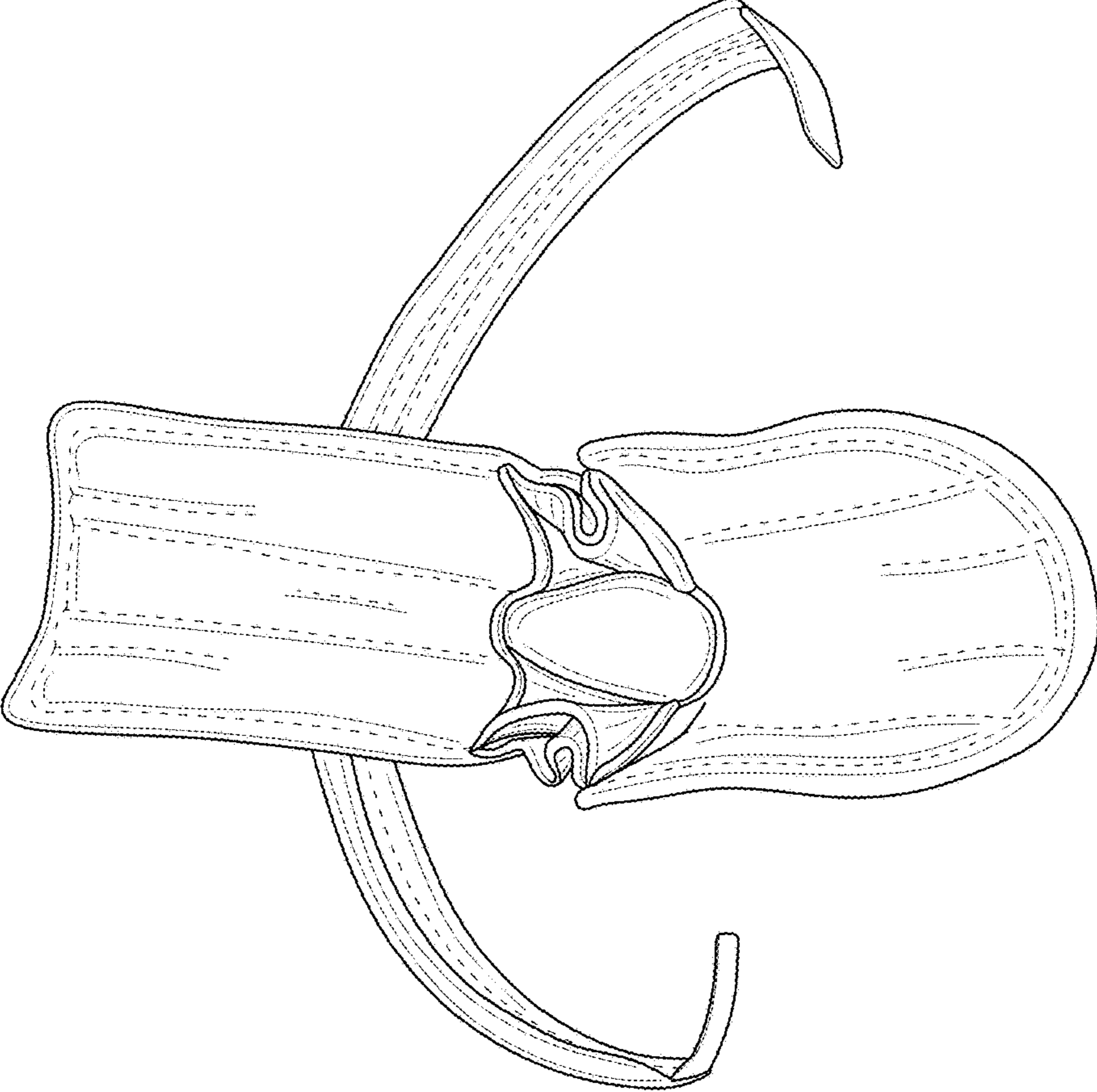


FIG. 11

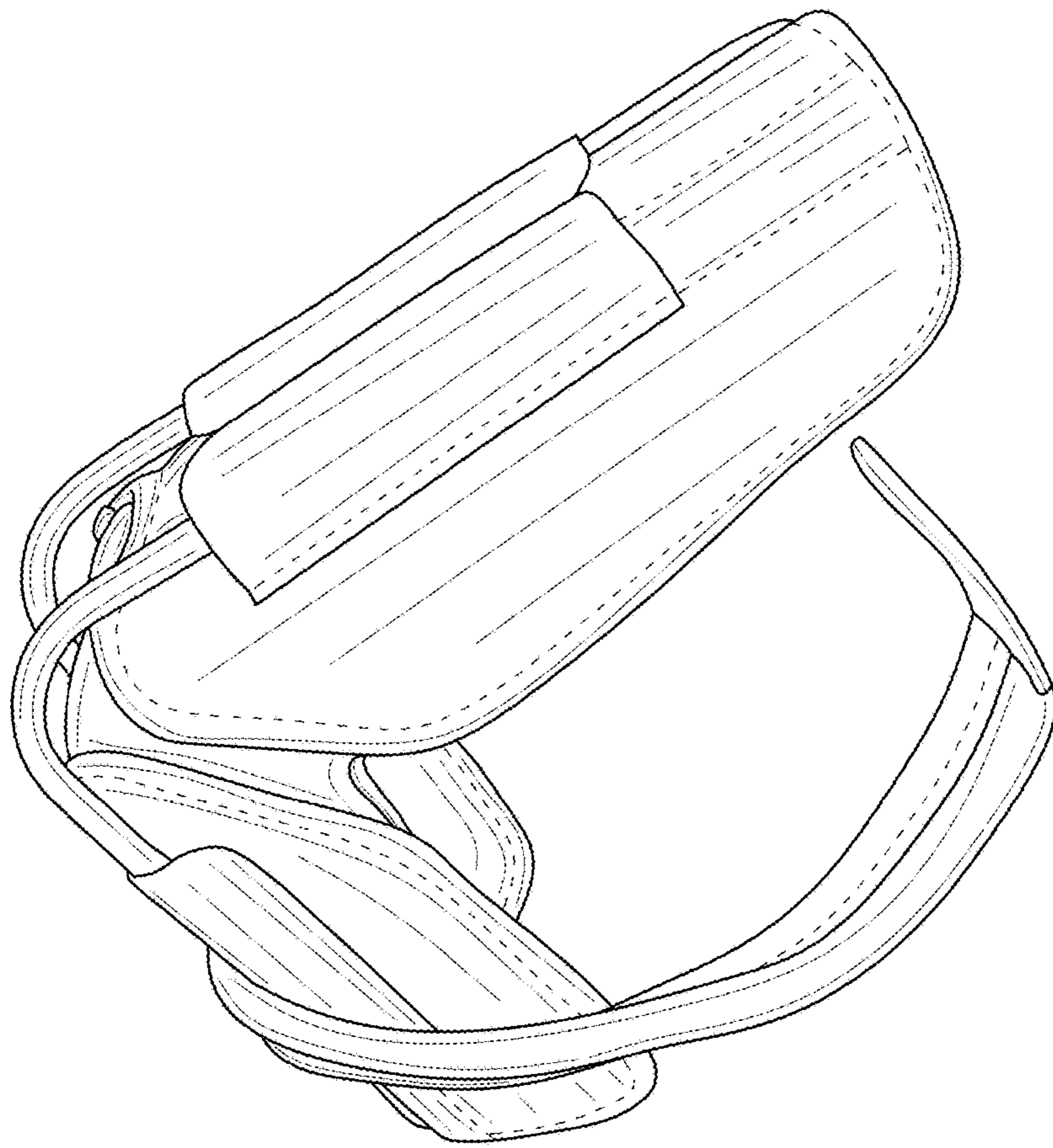


FIG. 12

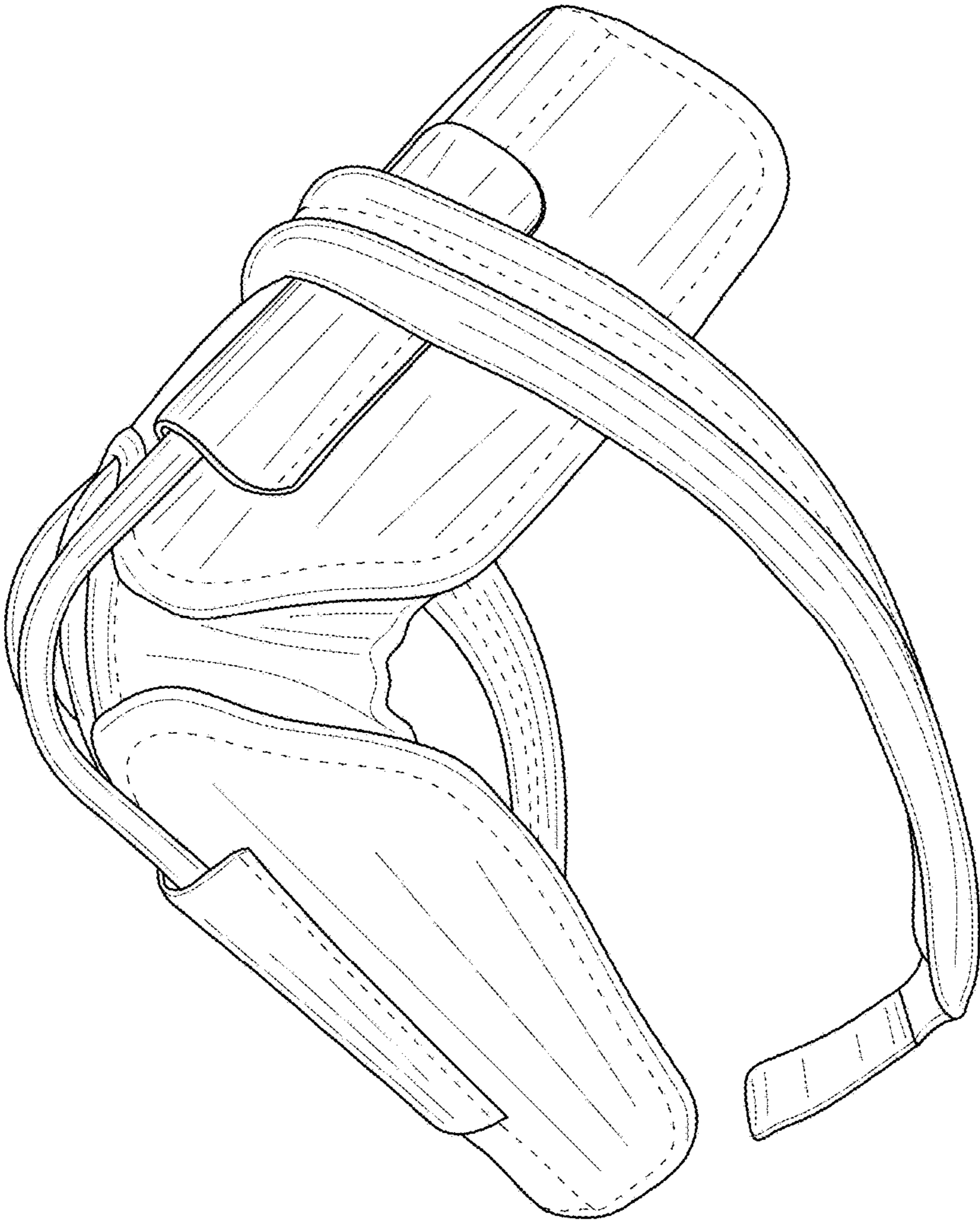


FIG. 13

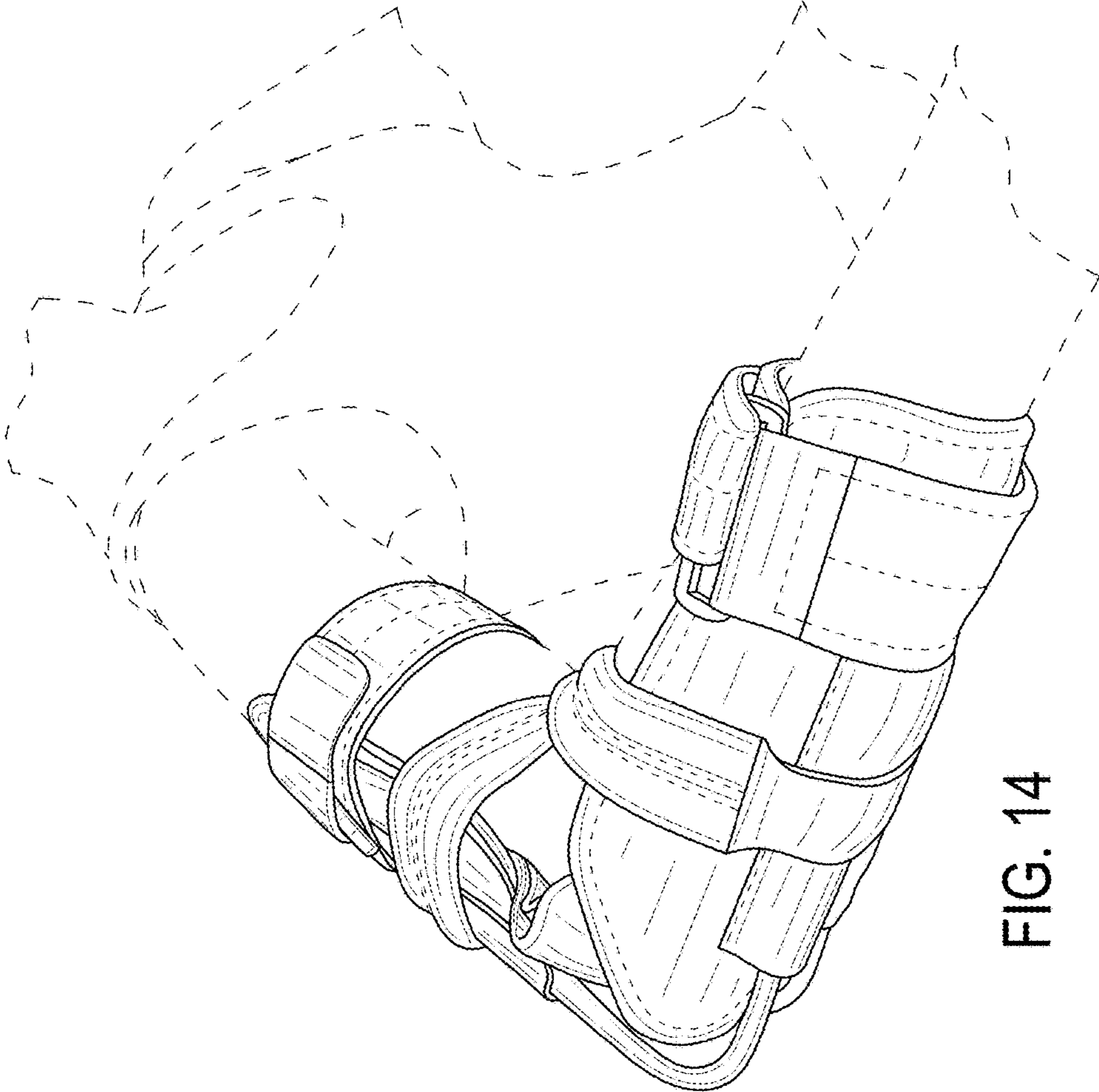


FIG. 14

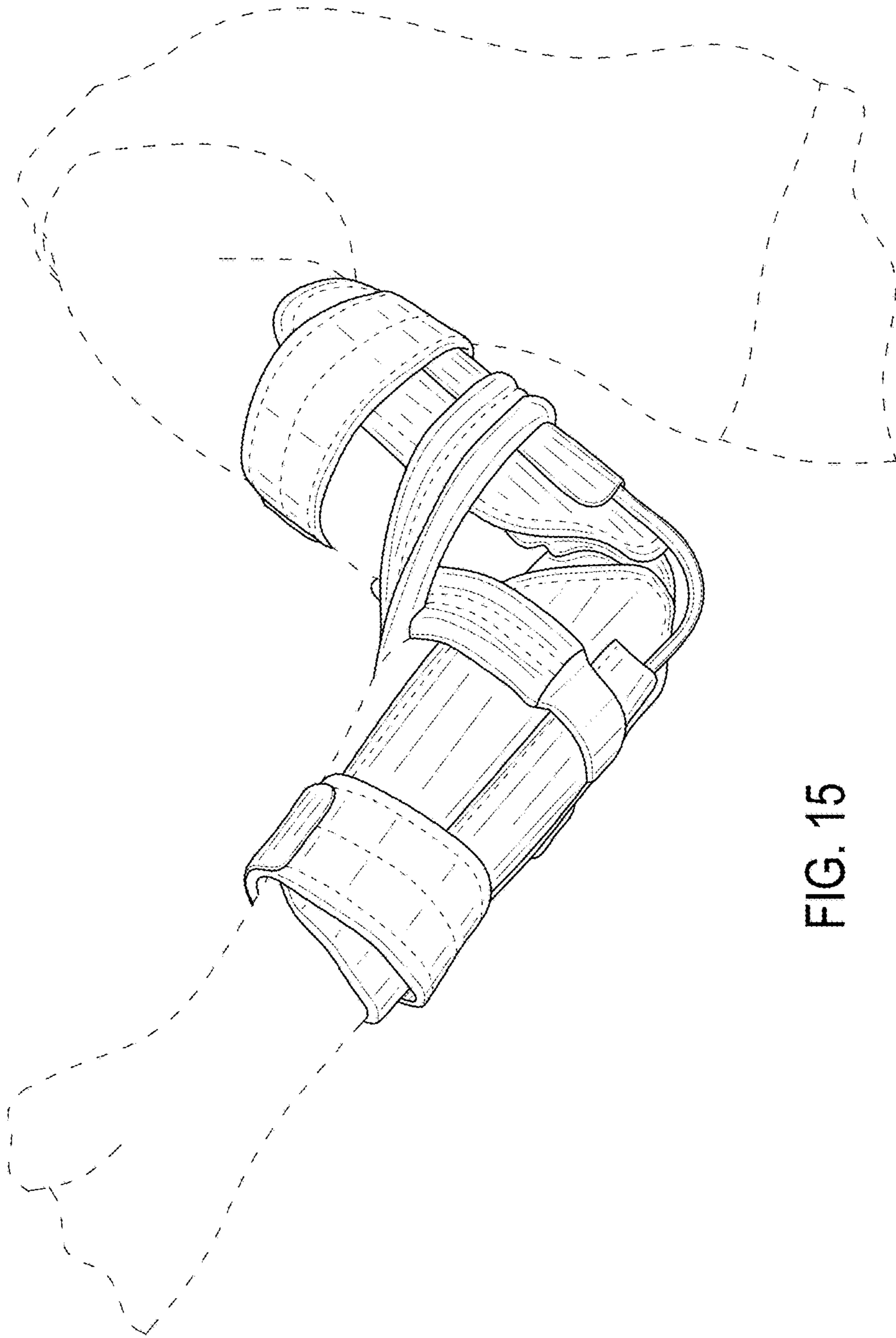


FIG. 15