



US00D819217S

(12) **United States Design Patent**
Harada

(10) **Patent No.:** **US D819,217 S**
(45) **Date of Patent:** **** May 29, 2018**

(54) **PROBE FOR AN ULTRASONIC DIAGNOSTIC APPARATUS**

(71) Applicant: **Canon Medical Systems Corporation**,
Otagawa-shi (JP)

(72) Inventor: **Rika Harada**, Tokyo (JP)

(73) Assignee: **Canon Medical Systems Corporation**,
Otagawa-shi (JP)

(**) Term: **15 Years**

(21) Appl. No.: **29/609,396**

(22) Filed: **Jun. 30, 2017**

(30) **Foreign Application Priority Data**

Mar. 30, 2017 (JP) 2017-006583

(51) **LOC (11) Cl.** **24-01**

(52) **U.S. Cl.**
USPC **D24/187**

(58) **Field of Classification Search**
USPC D24/186, 187, 144, 168, 200
See application file for complete search history.

(56) **References Cited**

U.S. PATENT DOCUMENTS

- 4,149,419 A * 4/1979 Connell, Jr. A61B 8/00
73/621
- D281,623 S * 12/1985 Barnes D24/168
- 4,930,515 A * 6/1990 Terwilliger A61B 8/12
600/446
- 6,139,502 A * 10/2000 Fredriksen A61B 8/4281
600/459
- D536,450 S * 2/2007 Ryan D24/144
- D550,365 S * 9/2007 Kitayama D24/186
- D616,990 S * 6/2010 Suzuki D24/186

- D616,992 S * 6/2010 Kitayama D24/186
- D687,153 S * 7/2013 Torzilli D24/187
- D697,627 S * 1/2014 Takano D24/187
- D701,606 S * 3/2014 Ohmukai D24/187
- D728,802 S * 5/2015 Matsumura D24/187
- D770,629 S * 11/2016 Nieminen D24/187
- D770,630 S * 11/2016 Nieminen D24/187
- D787,685 S * 5/2017 Vezina D24/187
- D790,713 S * 6/2017 Rezzonico D24/187

(Continued)

FOREIGN PATENT DOCUMENTS

- JP D1095570 1/2001
- JP D1100193 2/2001
- JP D1348170 1/2009

Primary Examiner — Ian Simmons

Assistant Examiner — Mark Cavanna

(74) *Attorney, Agent, or Firm* — Finnegan, Henderson,
Farabow, Garrett & Dunner LLP

(57) **CLAIM**

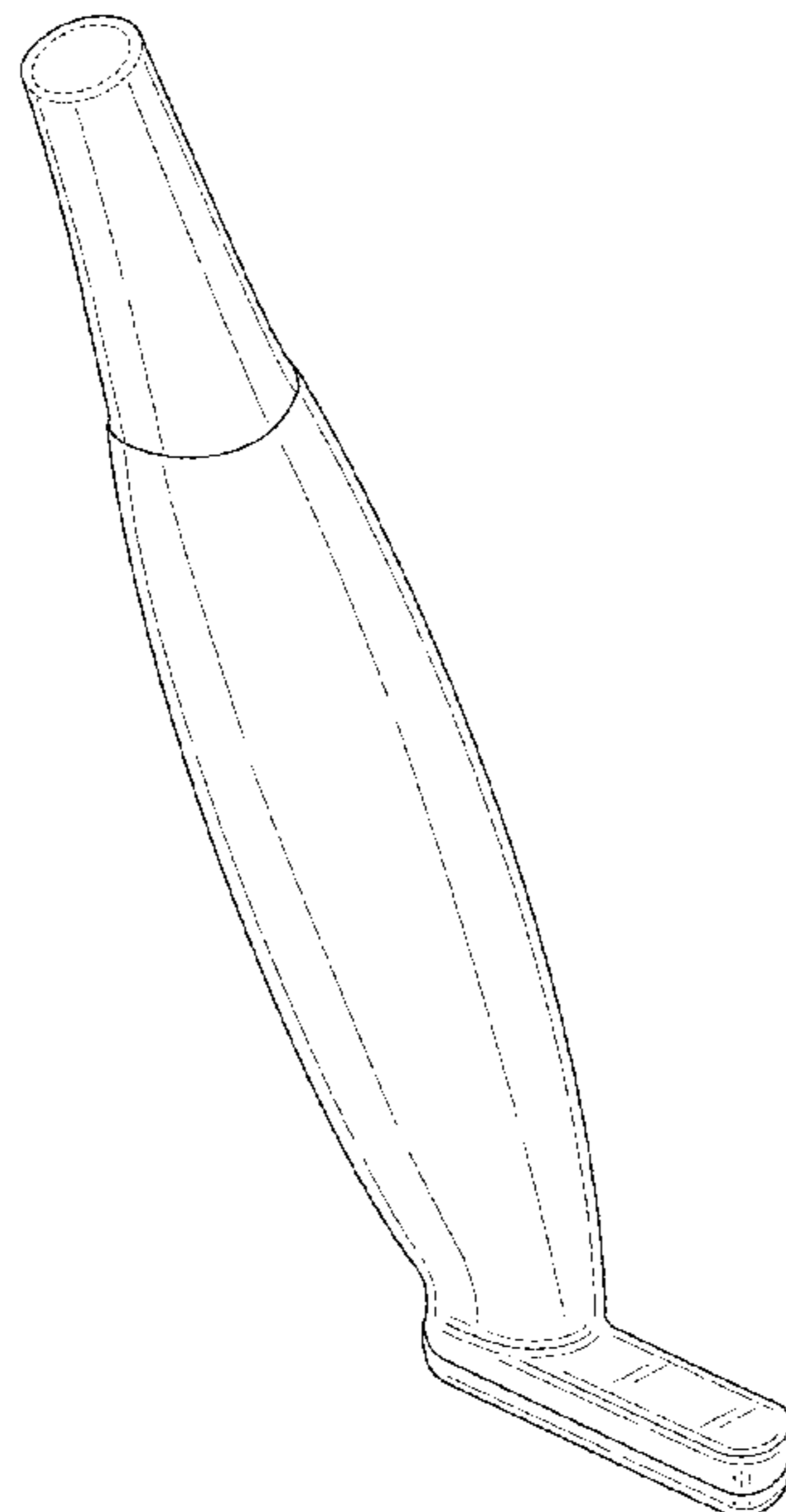
The ornamental design for a probe for an ultrasonic diagnostic apparatus, as shown and described.

DESCRIPTION

FIG. 1 is a perspective view of a probe for an ultrasonic diagnostic apparatus showing my new ornamental design, FIG. 2 is a front elevational view thereof, FIG. 3 is a rear elevational view thereof, FIG. 4 is a top plan view thereof, FIG. 5 is a bottom plan view thereof, FIG. 6 is a left side elevational view thereof; and, FIG. 7 is a right side elevational view thereof.

The broken lines are included for the purpose of illustrating portions of the probe for an ultrasonic diagnostic apparatus that forms no part of the claimed design.

1 Claim, 4 Drawing Sheets



(56)

References Cited

U.S. PATENT DOCUMENTS

2009/0275833 A1* 11/2009 Ikeda A61B 8/4254
600/443
2015/0250447 A1* 9/2015 Kubota A61B 8/0841
600/464
2015/0374331 A1* 12/2015 Cho A61B 8/4444
600/462
2016/0143624 A1* 5/2016 Liberman A61B 8/5207
600/431
2017/0319177 A1* 11/2017 Chiang A61B 8/4455

* cited by examiner

Fig. 1

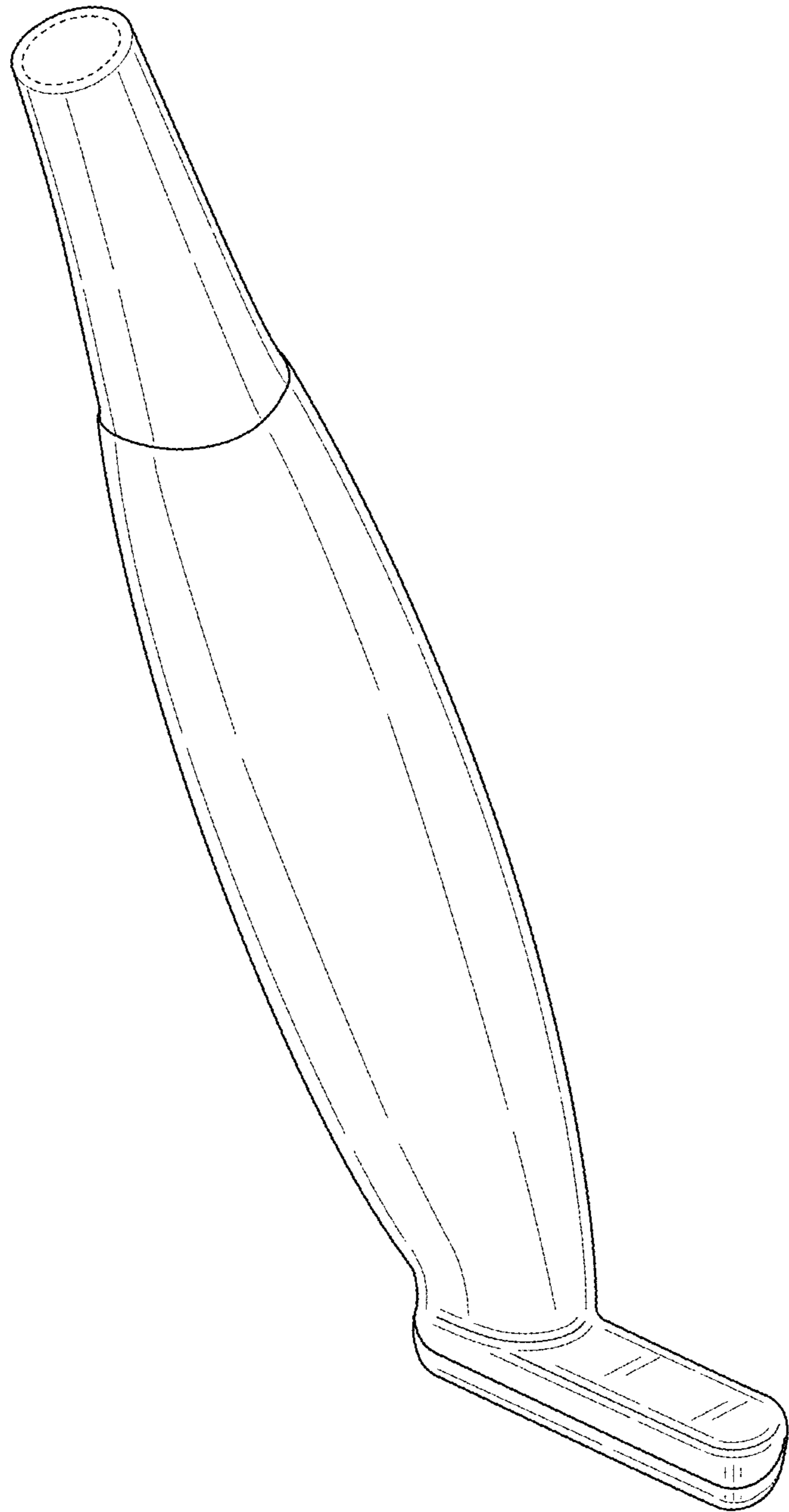


Fig. 2

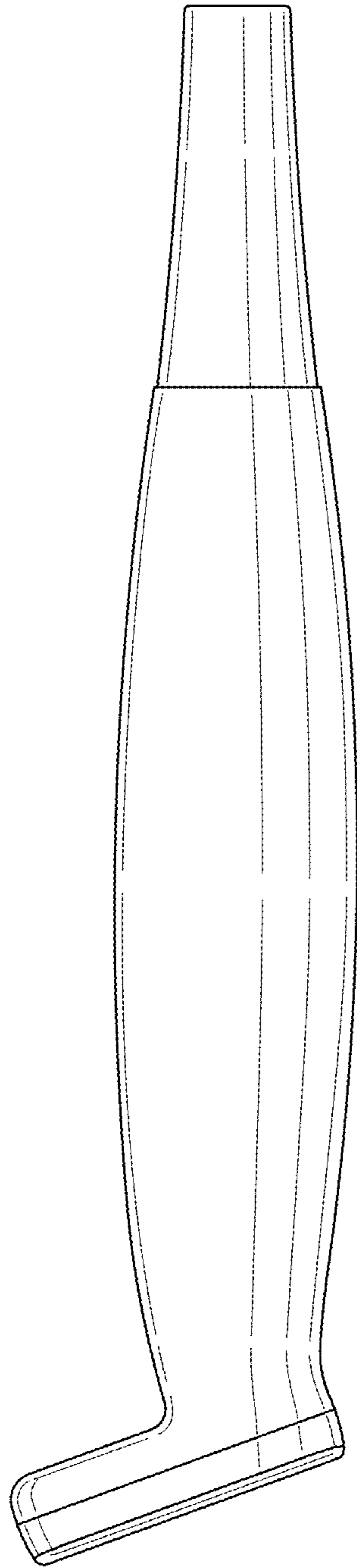


Fig. 3

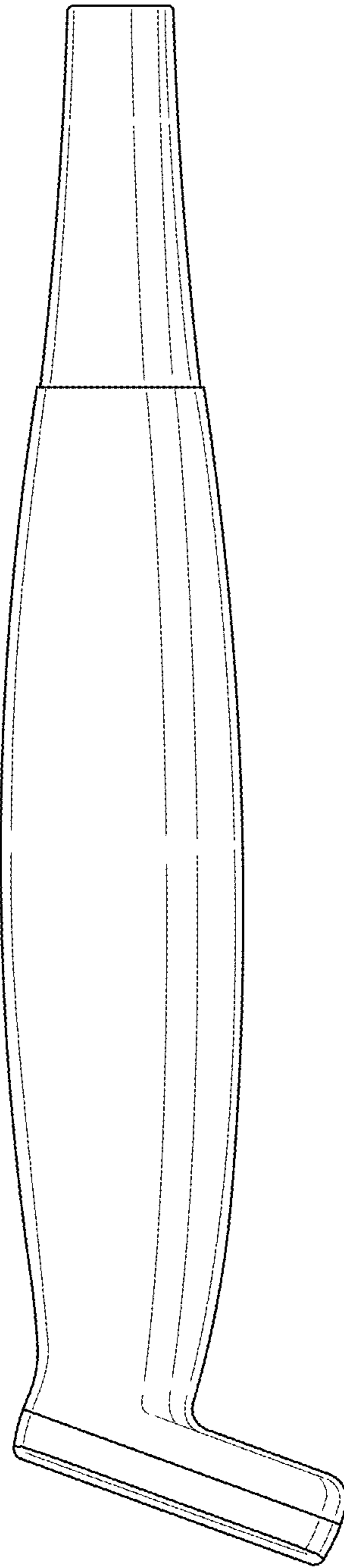


Fig. 4

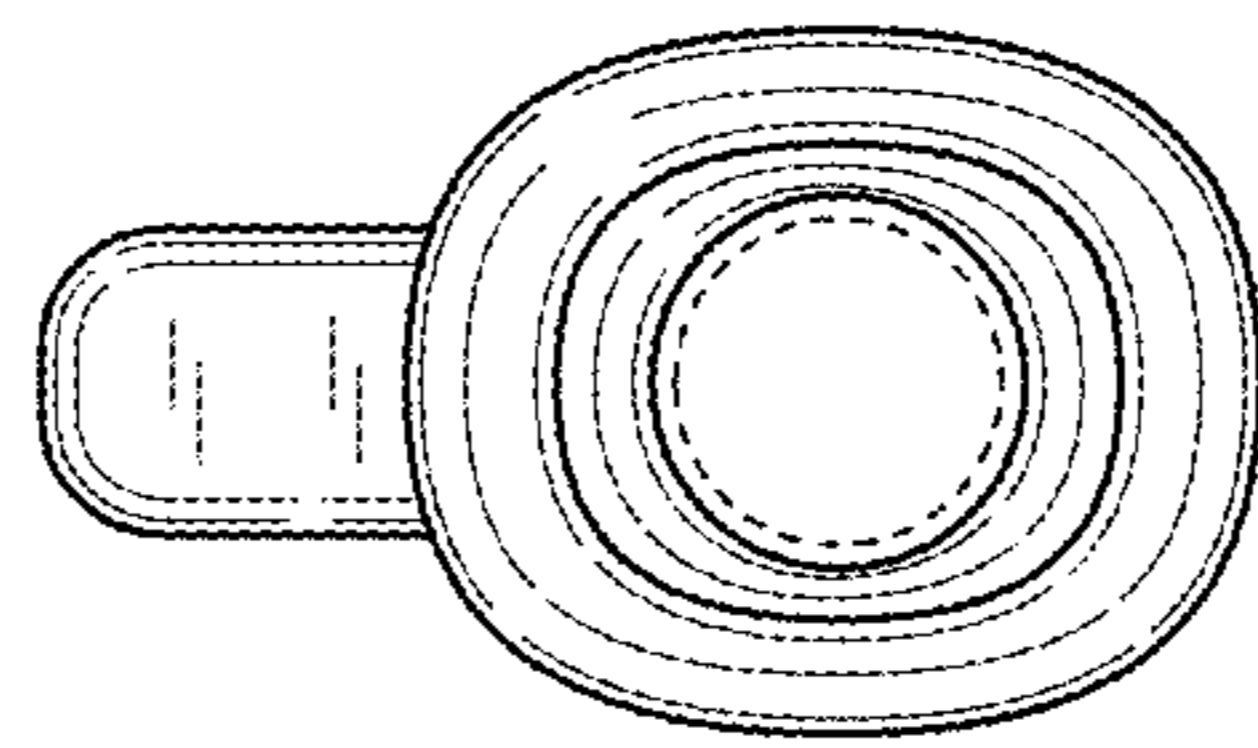


Fig. 5

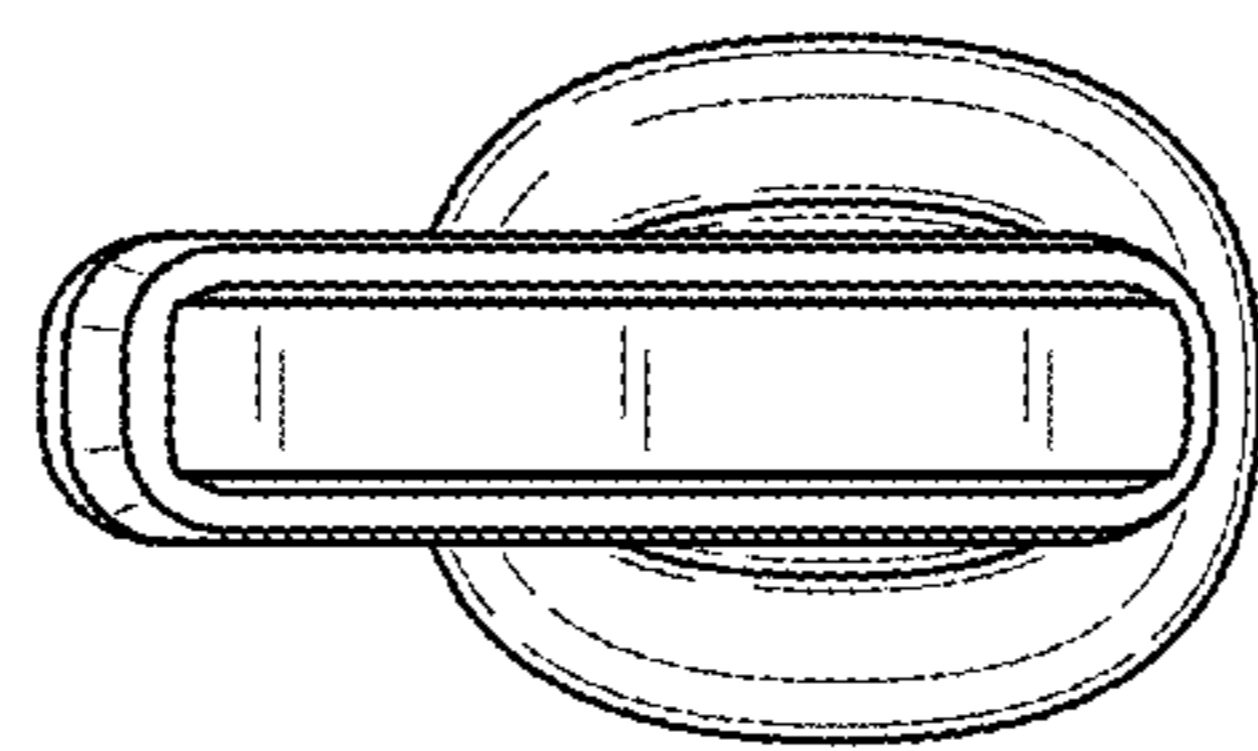


Fig. 6

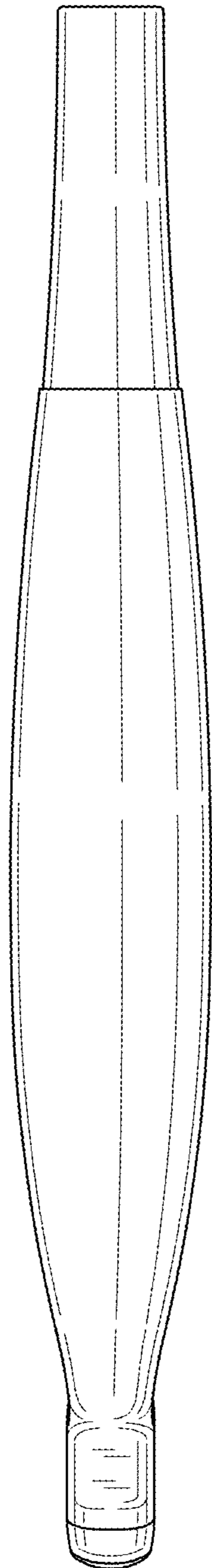


Fig. 7

