



US00D819216S

(12) **United States Design Patent**
Ohno et al.

(10) **Patent No.:** **US D819,216 S**
(45) **Date of Patent:** **** May 29, 2018**

(54) **WORK TABLE FOR ENDOSCOPE**

(71) Applicant: **FUJIFILM Corporation**, Tokyo (JP)

(72) Inventors: **Hirotohi Ohno**, Kanagawa (JP); **Koji Yoshida**, Kanagawa (JP)

(73) Assignee: **FUJIFILM Corporation**, Tokyo (JP)

(**) Term: **15 Years**

(21) Appl. No.: **29/547,242**

(22) Filed: **Dec. 2, 2015**

(30) **Foreign Application Priority Data**

Jun. 5, 2015 (JP) 2015-012556

(51) **LOC (11) Cl.** **24-00**

(52) **U.S. Cl.**
USPC **D24/185**

(58) **Field of Classification Search**
USPC D24/185, 158, 231, 232; D34/14;
312/209; 280/47.35, 35; 108/147;
297/119

CPC A61G 12/001; A47B 21/00; A47B 85/04;
A47L 13/512; B62B 3/02

See application file for complete search history.

(56) **References Cited**

U.S. PATENT DOCUMENTS

- 5,518,310 A * 5/1996 Ellman A61G 12/001
312/209
- 5,806,943 A * 9/1998 Dell A47B 21/00
108/147
- 6,102,497 A * 8/2000 Ehr A61G 12/001
280/47.35
- D606,202 S * 12/2009 Banryu D24/185
- D616,551 S * 5/2010 Fallon D24/185
- D655,013 S * 2/2012 Sabaris Vilas D24/185

- D687,147 S * 7/2013 Yoshida D24/185
- D687,149 S * 7/2013 Chang D24/185
- D696,783 S * 12/2013 Chung D24/185
- D699,358 S * 2/2014 Kitt D24/185
- D700,704 S * 3/2014 Kitt D24/185
- D700,705 S * 3/2014 Kitt D24/185
- D708,341 S * 7/2014 Ikegame D24/185

(Continued)

Primary Examiner — Rhea Shields

(74) *Attorney, Agent, or Firm* — Young & Thompson

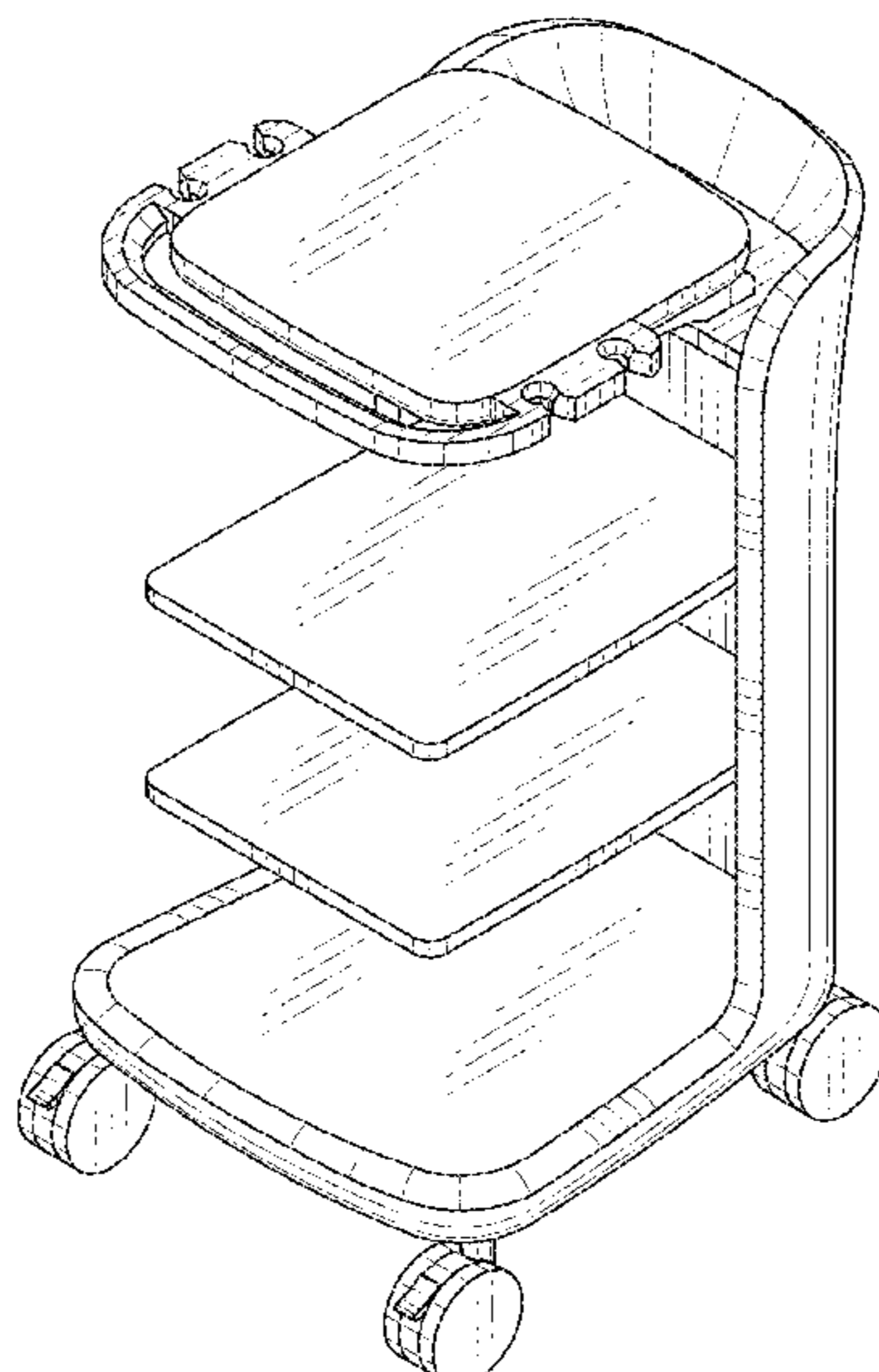
(57) **CLAIM**

The ornamental design for a work table for endoscope, as shown and described.

DESCRIPTION

FIG. 1 is a top, front and left side perspective view of a work table for endoscope showing my new design;
 FIG. 2 is a top, rear and right side perspective view thereof;
 FIG. 3 is a front elevational view thereof;
 FIG. 4 is a rear elevational view thereof;
 FIG. 5 is a top plan view thereof;
 FIG. 6 is a bottom plan view thereof;
 FIG. 7 is a left side elevational view thereof;
 FIG. 8 is an enlarged cross-sectional view thereof taken along lines VIII-VIII of FIG. 3, in which an internal mechanism is omitted;
 FIG. 9 is an enlarged cross-sectional view thereof taken along lines IX-IX of FIG. 3, in which an internal mechanism is omitted;
 FIG. 10 is an enlarged cross-sectional view thereof taken along lines X-X of FIG. 3, in which an internal mechanism is omitted; and,
 FIG. 11 is a top, front and left side perspective view thereof, showing the work table for endoscope in an environment. In FIG. 11, the broken lines are for the purpose of illustrating environment only and form no part of the claimed design.

1 Claim, 10 Drawing Sheets



(56)

References Cited

U.S. PATENT DOCUMENTS

8,840,175 B2 * 9/2014 Short A47B 85/04
297/119
D730,011 S * 5/2015 McRorie D34/14
D777,933 S * 1/2017 Hrenchir D24/185
D787,073 S * 5/2017 Livengood D24/185
D796,679 S * 9/2017 Dekock D24/158
D803,409 S * 11/2017 Black D24/185
D804,041 S * 11/2017 Black D24/185
2008/0029981 A1 * 2/2008 Dukes A47L 13/512
280/47.35
2014/0138925 A1 * 5/2014 Ono B62B 3/02
280/35

* cited by examiner

FIG. 1

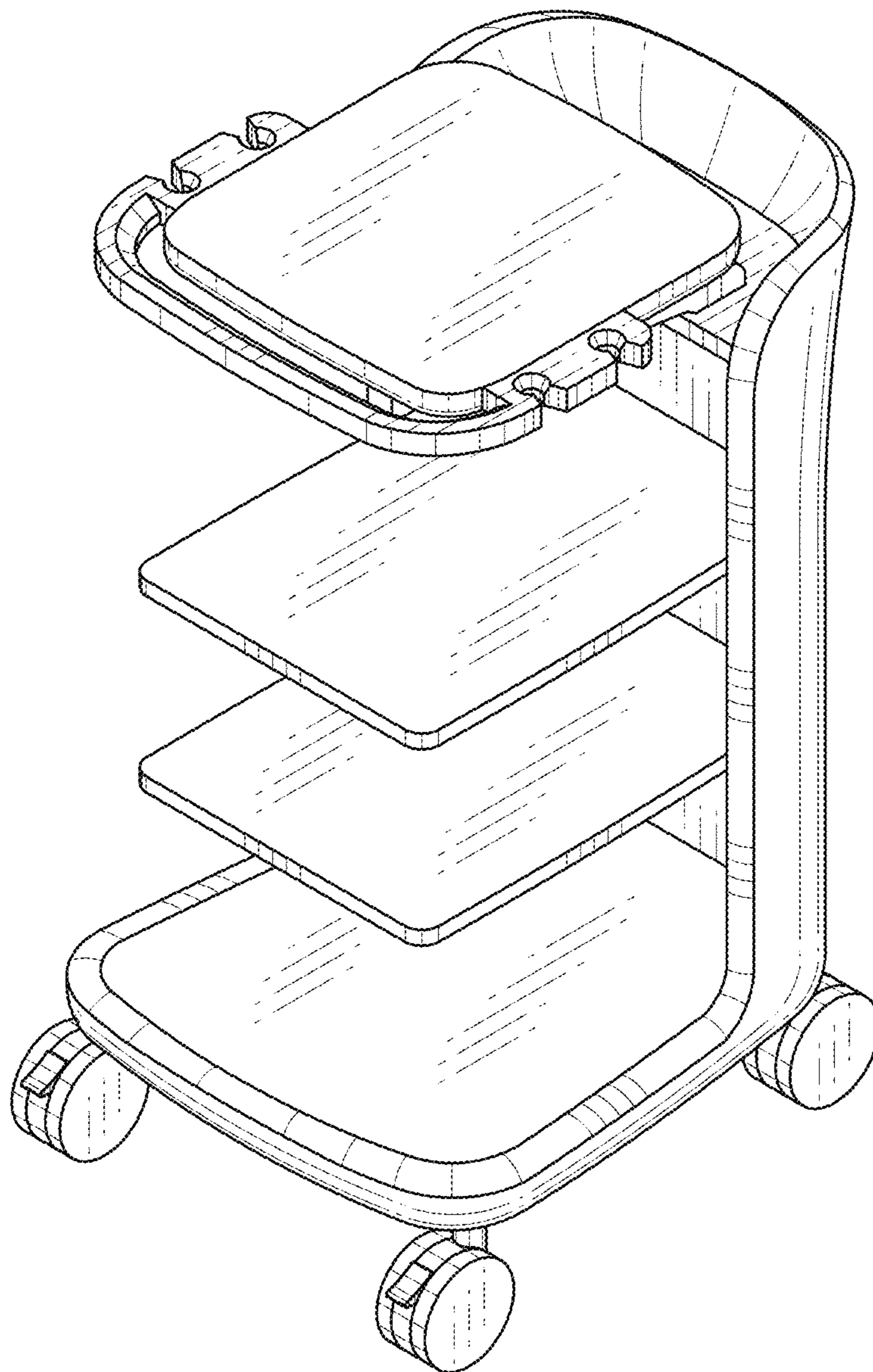


FIG. 2

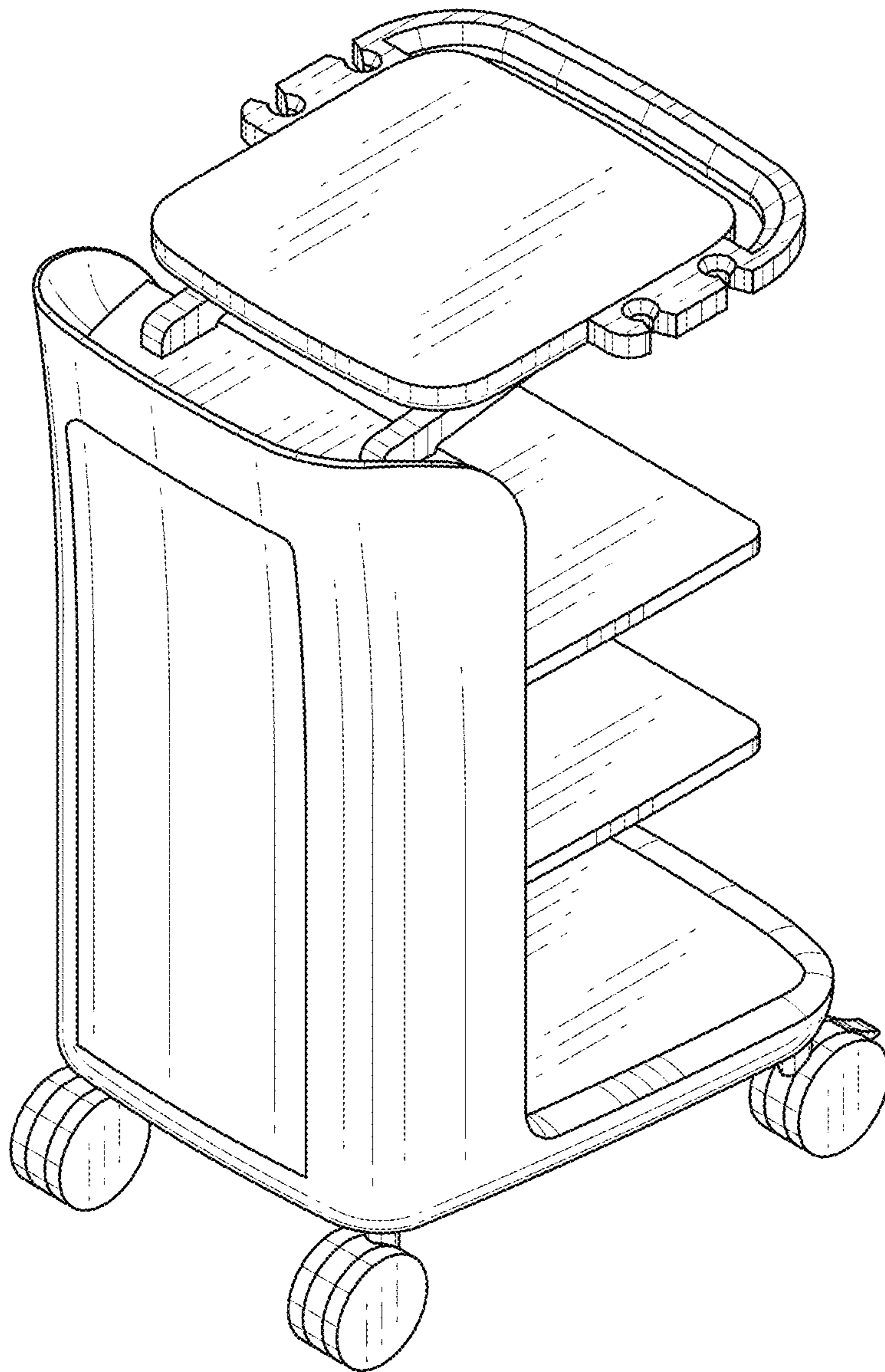


FIG. 3

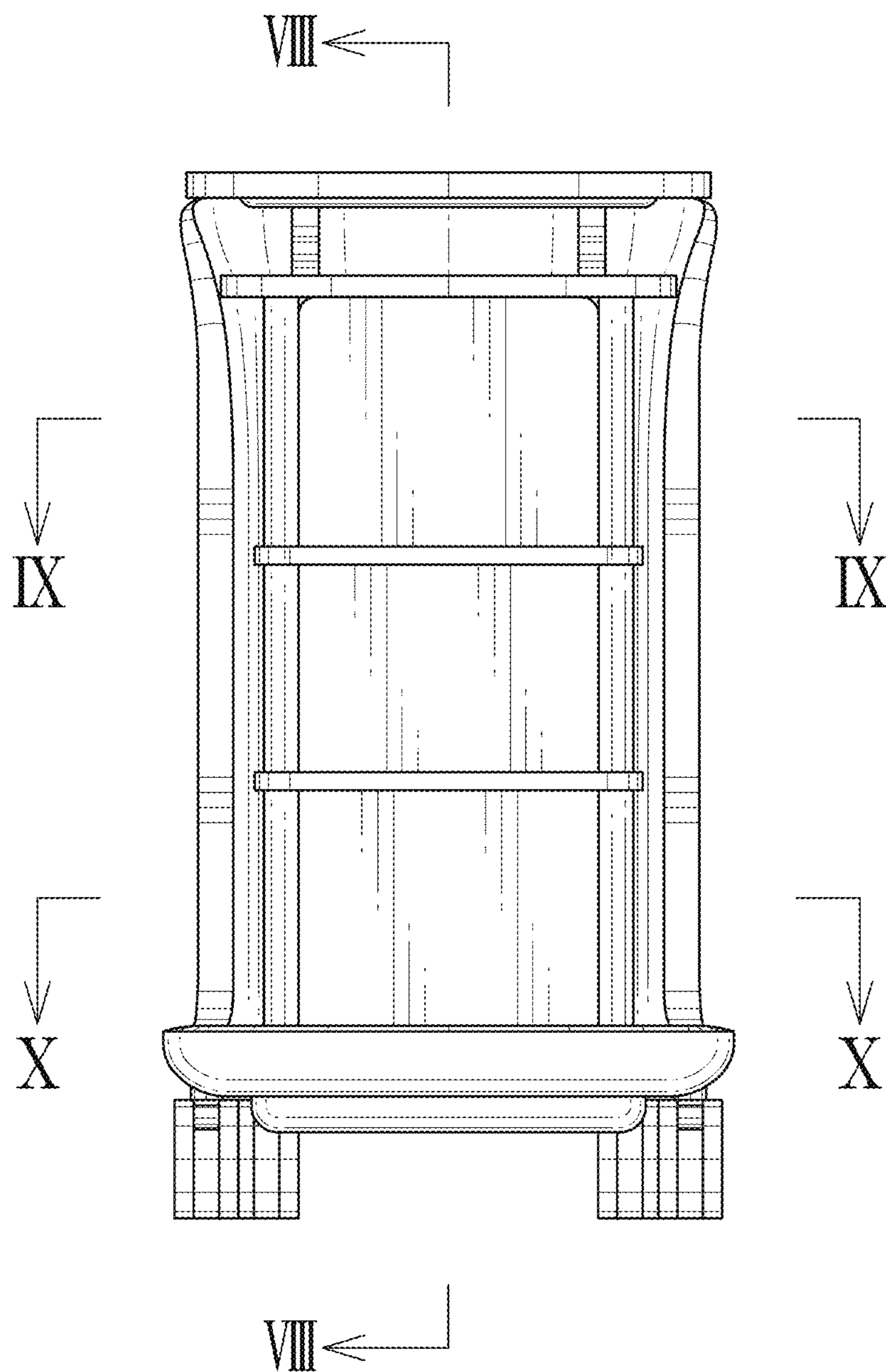


FIG. 4

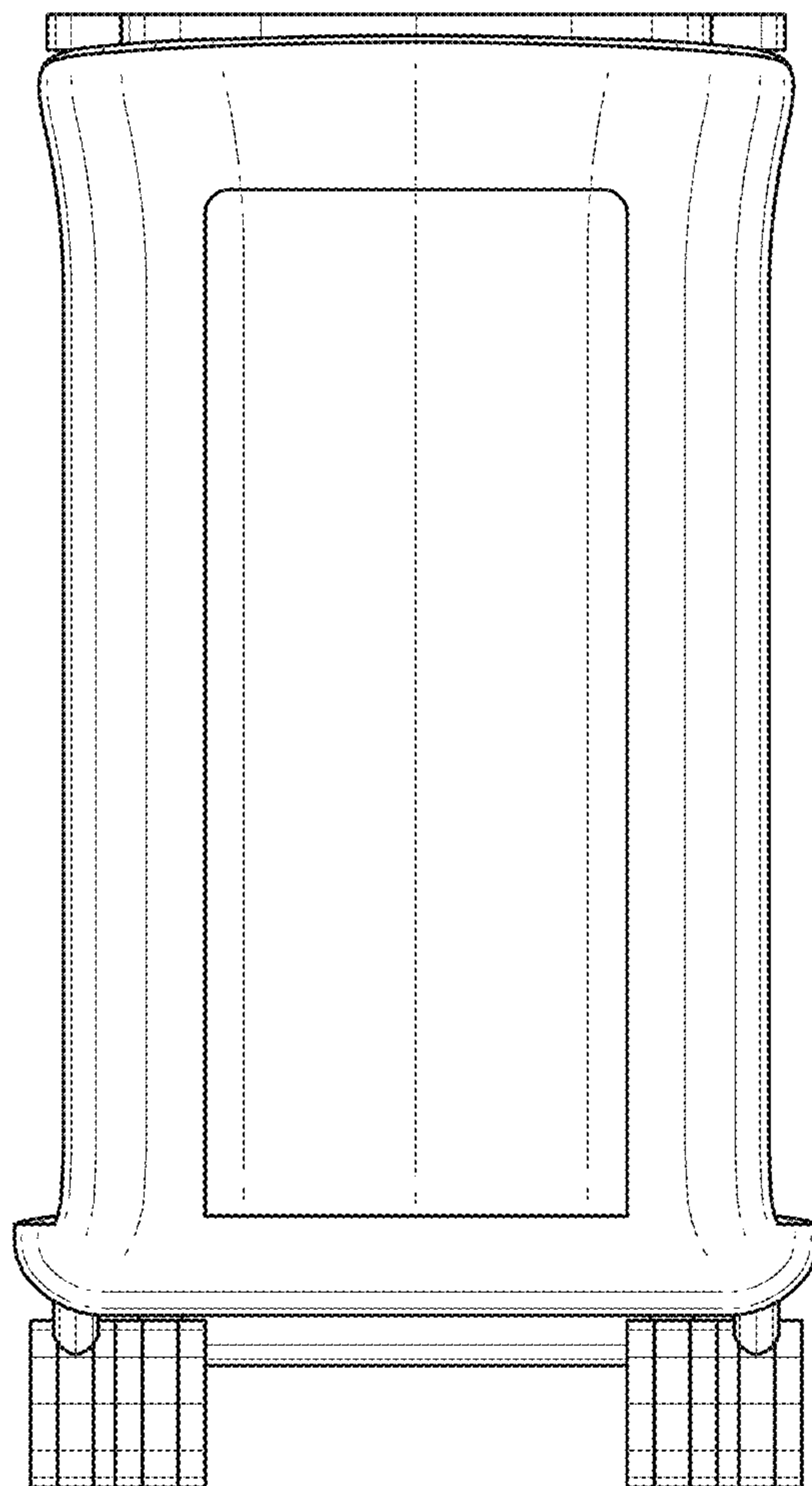


FIG. 5

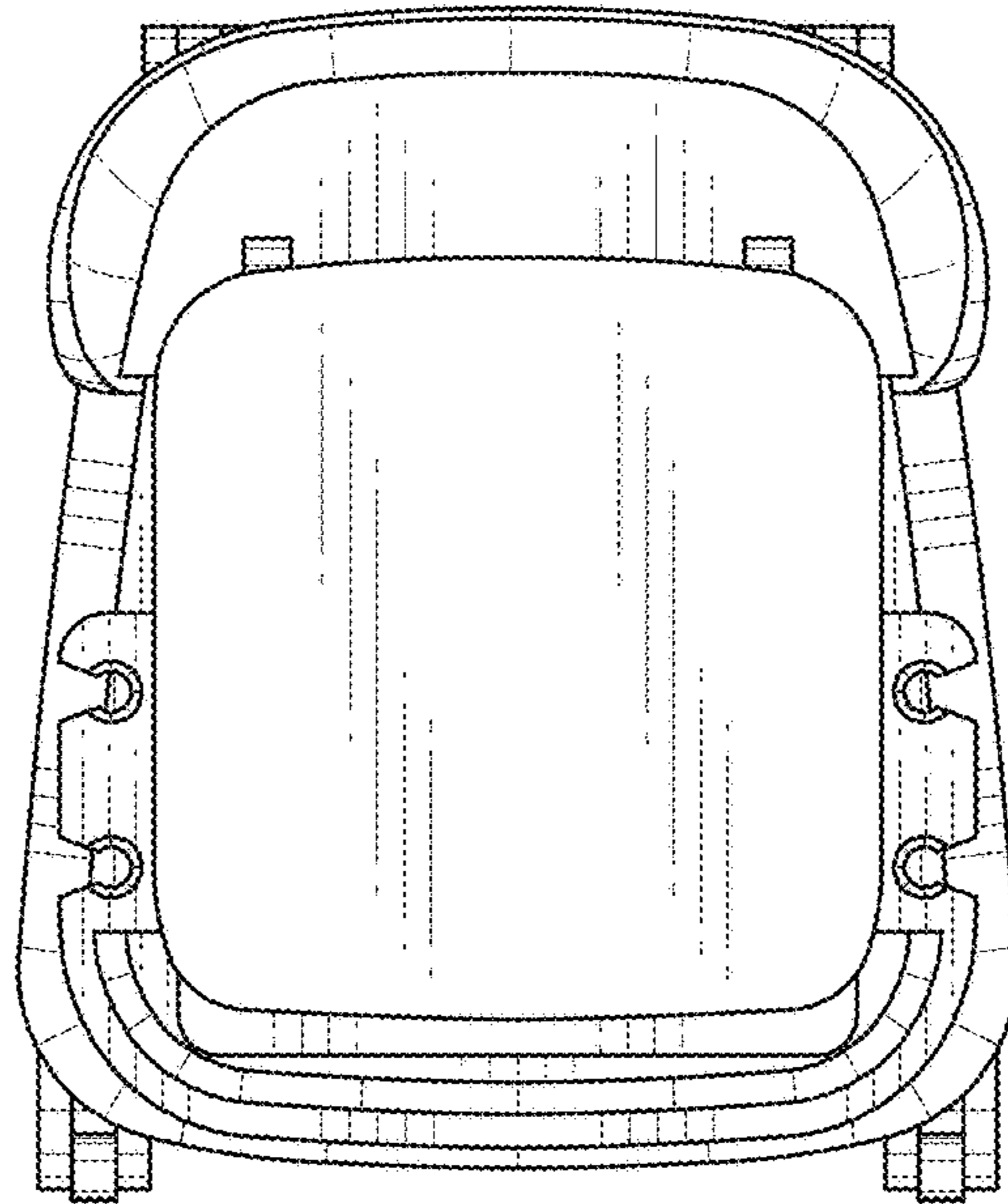


FIG. 6

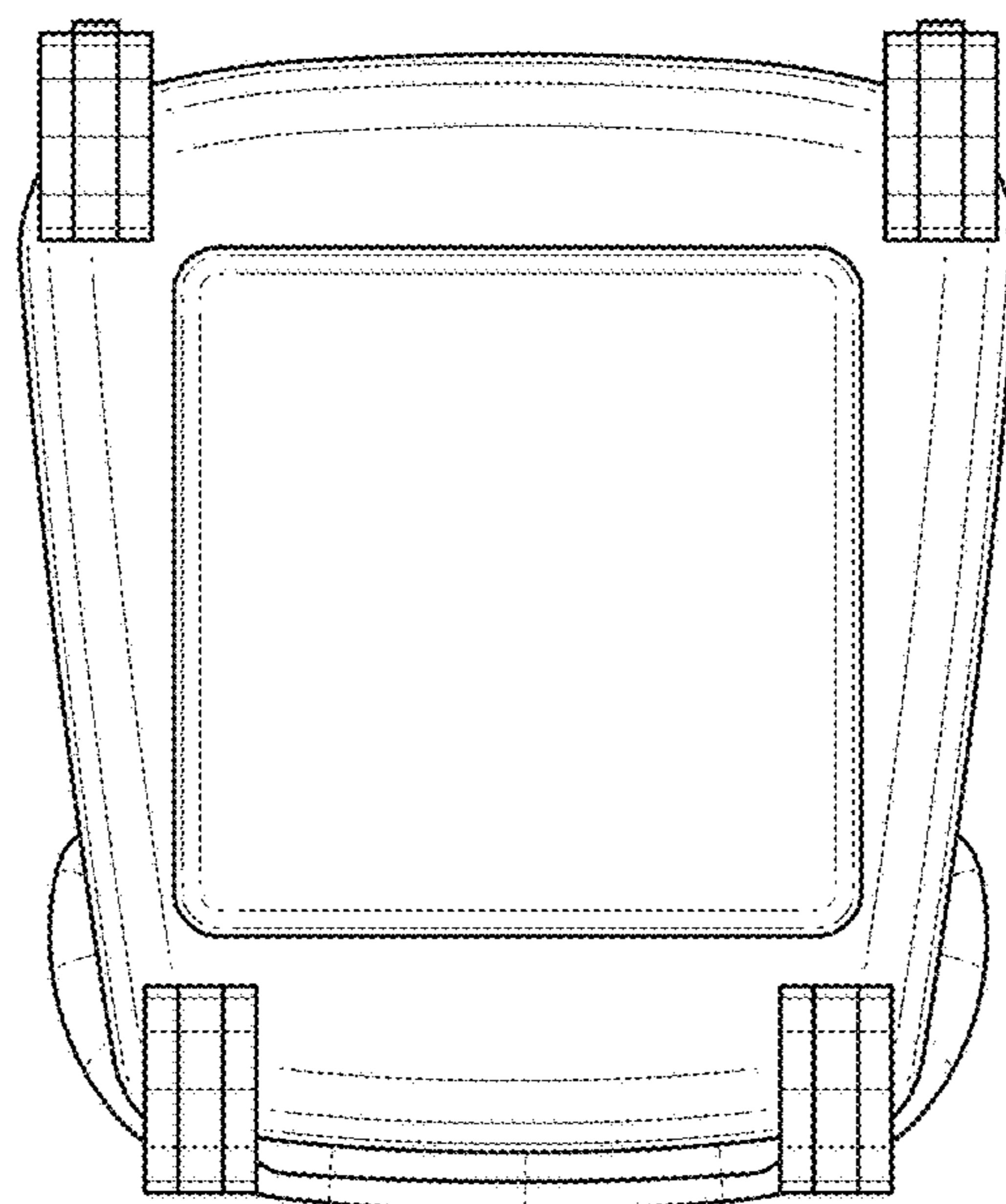


FIG. 7

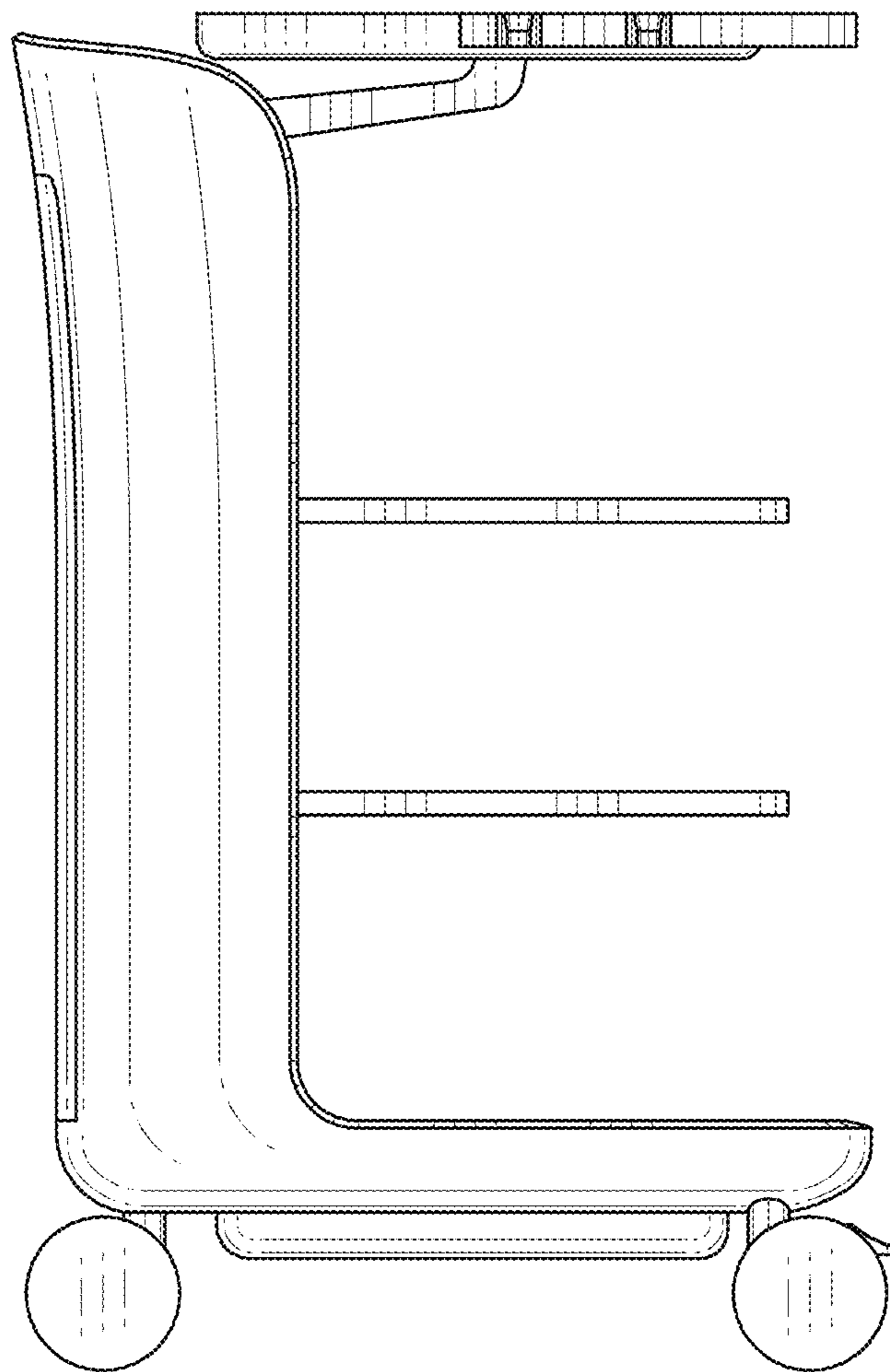


FIG. 8

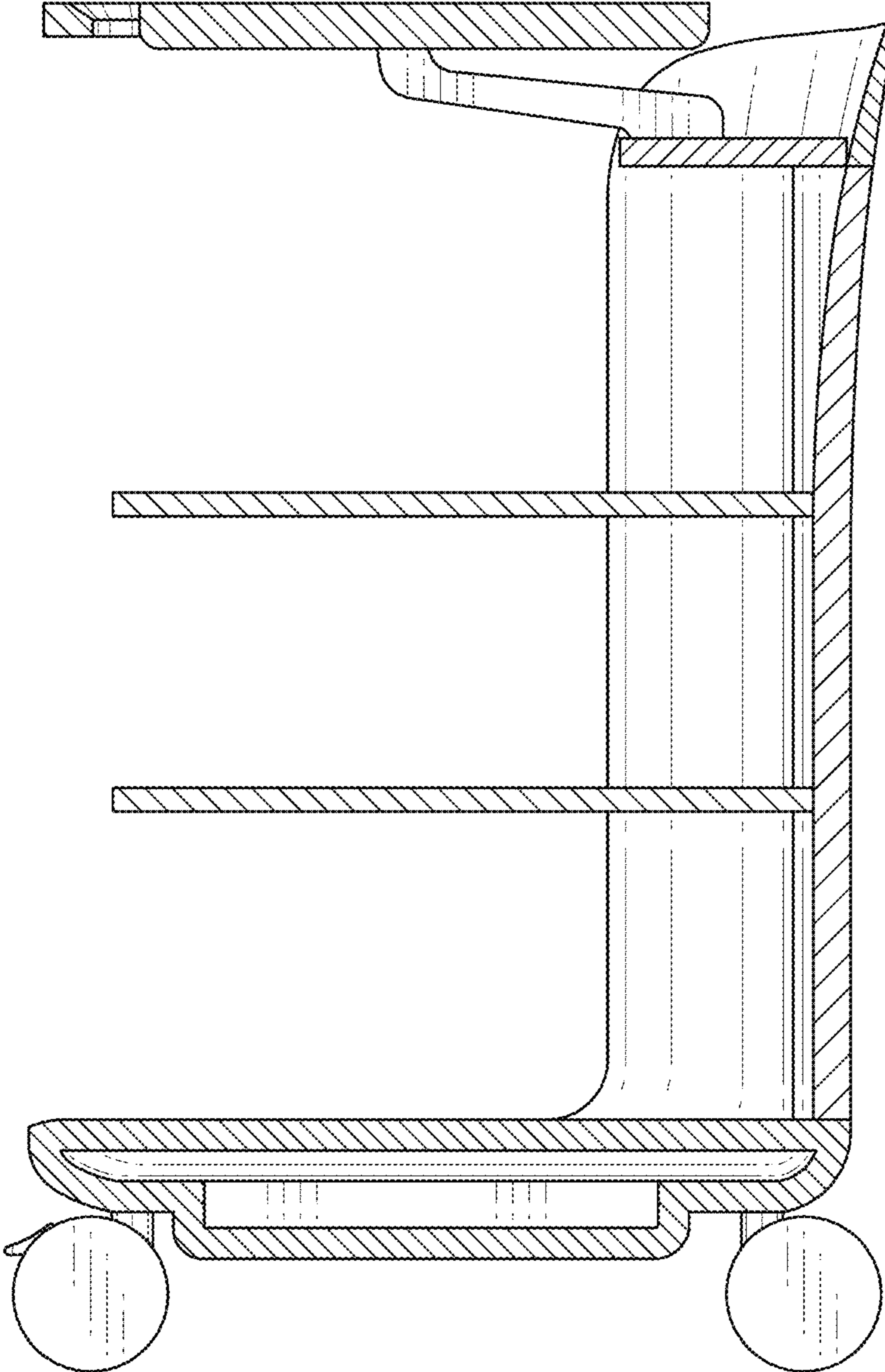


FIG. 9

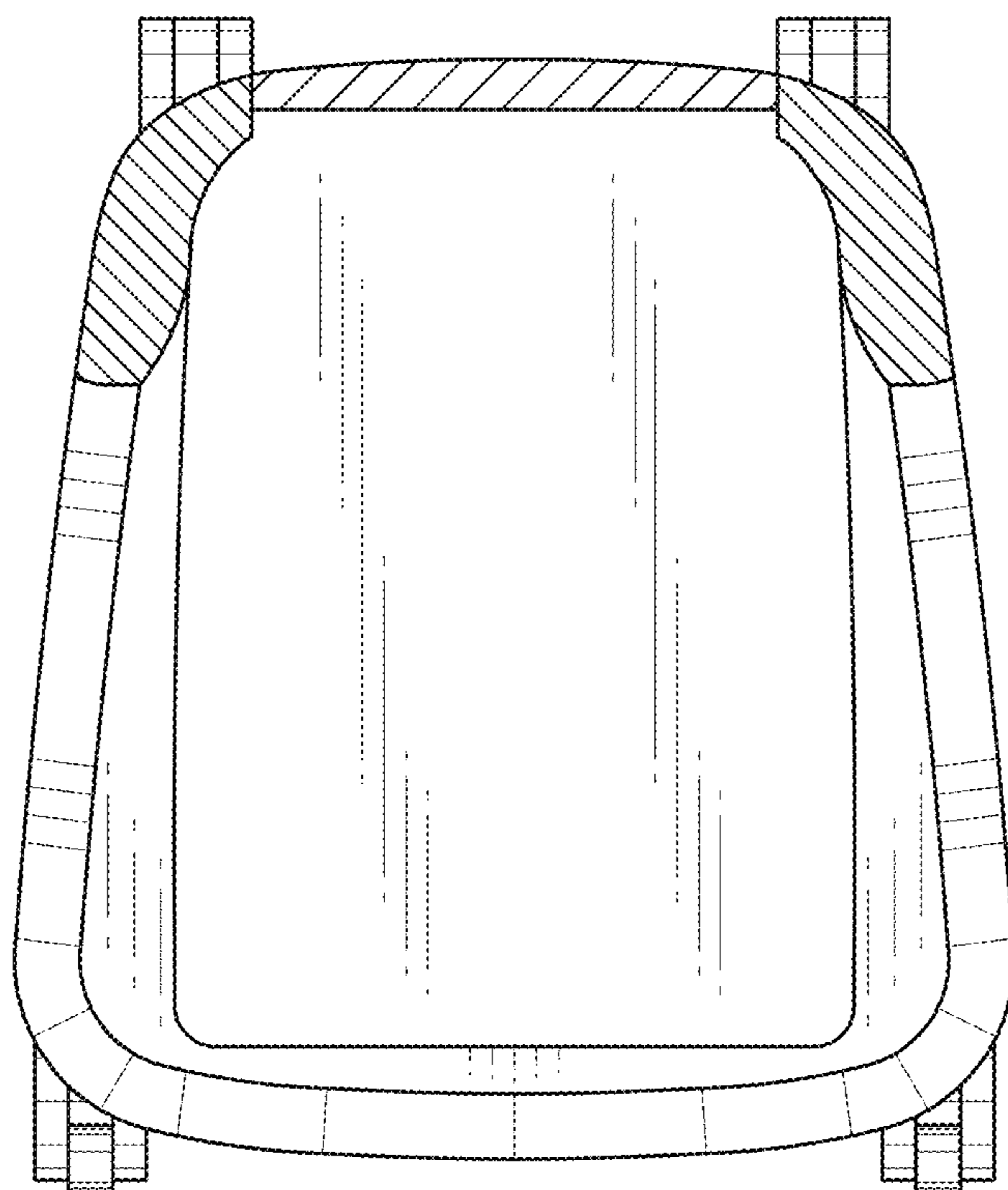


FIG. 10

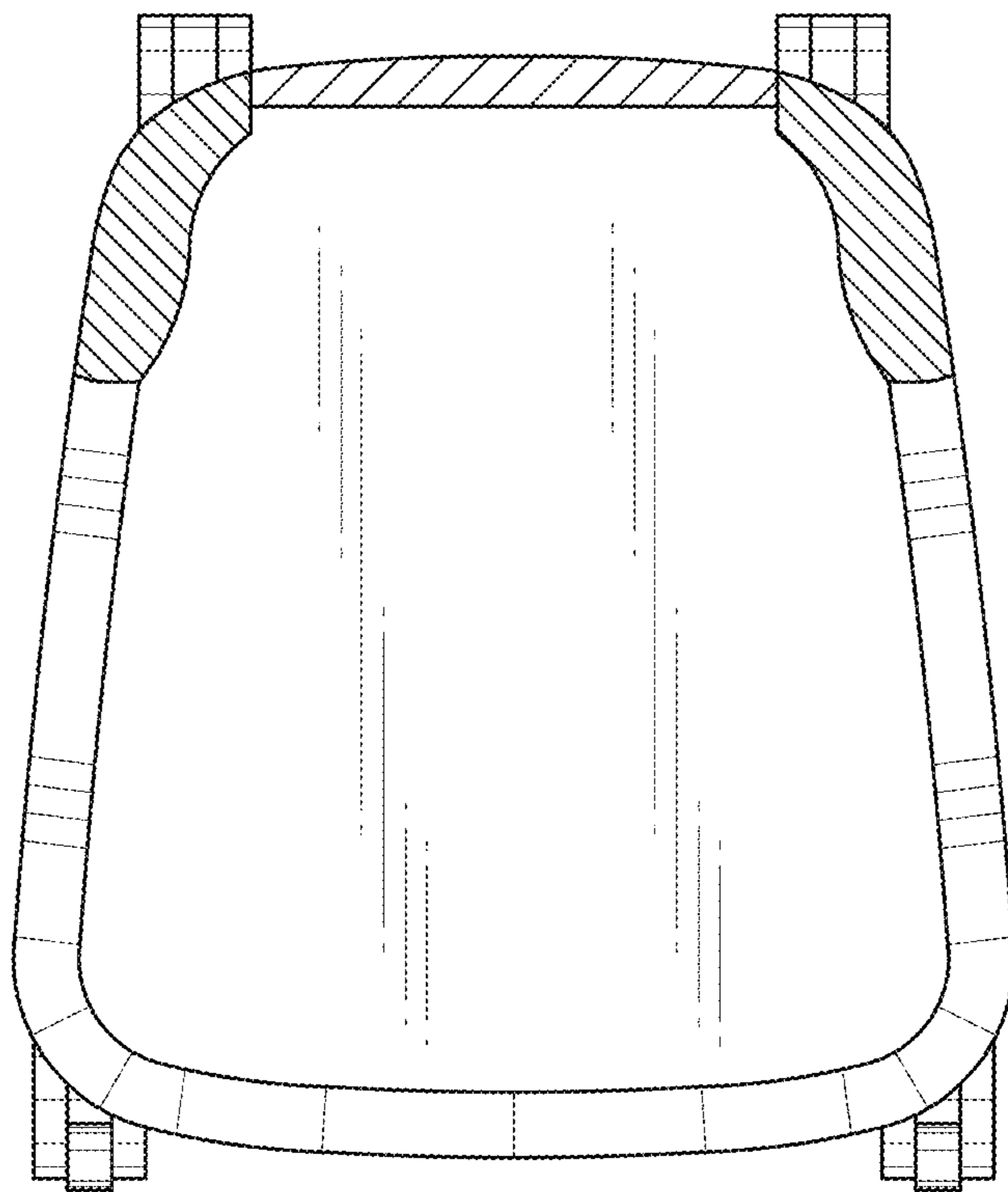


FIG. 11

