



US00D819213S

(12) **United States Design Patent**
Noordzij et al.

(10) **Patent No.:** **US D819,213 S**
(45) **Date of Patent:** **** May 29, 2018**

- (54) **SET OF EYE SHIELDS**
- (71) Applicant: **Gentex Corporation**, Simpson, PA (US)
- (72) Inventors: **Duco Noordzij**, Roslindale, MA (US);
Jason O'Connell, Raynham, MA (US)
- (73) Assignee: **GENTEX CORPORATION**, Simpson, PA (US)
- (**) Term: **15 Years**
- (21) Appl. No.: **29/548,798**
- (22) Filed: **Dec. 16, 2015**
- (51) **LOC (11) Cl.** **24-00**
- (52) **U.S. Cl.**
USPC **D24/172**
- (58) **Field of Classification Search**
USPC D24/172, 128, 190, 133, 189, 231, 232;
D16/101, 312; 2/15; 128/858; 351/41,
351/106, 110
CPC . A61F 9/04; A61F 9/026; A61F 9/025; G02C
1/04; G02C 11/00
See application file for complete search history.

(56) **References Cited**

U.S. PATENT DOCUMENTS

- 2,283,752 A * 5/1942 Gonsett A61F 9/04
2/15
- 4,122,847 A * 10/1978 Craig A61F 9/026
128/858
- D309,465 S * 7/1990 Russell D16/312
- 5,183,059 A * 2/1993 Leonardi A61F 9/04
128/858
- 5,740,550 A * 4/1998 Yavitz A61F 9/026
128/858
- 5,769,806 A * 6/1998 Radow A61F 9/04
128/858
- 5,949,514 A * 9/1999 Wargon G02C 11/00
351/41
- D424,691 S * 5/2000 Yavitz D24/128

- D440,660 S * 4/2001 Sternberg D24/190
 - D442,693 S * 5/2001 Sternberg D24/190
 - 7,011,404 B2 * 3/2006 Howard A61F 9/025
351/106
 - D527,752 S * 9/2006 Canavan D16/101
 - D533,572 S * 12/2006 Howard D16/101
- (Continued)

OTHER PUBLICATIONS

Webpage: <http://www.fullcompass.com/prod/175266-Sony-3-278-319-01>; saved on Dec. 10, 2015.

(Continued)

Primary Examiner — Rhea Shields

(74) *Attorney, Agent, or Firm* — Morgan, Lewis & Bockius LLP

(57) **CLAIM**

The ornamental design for a set of eye shields, as shown and described.

DESCRIPTION

FIG. 1 is a front, left, top, perspective view of a set of eye shields, shown in an environment, according to our new design;

FIG. 2 is a rear, right, top, perspective view thereof;

FIG. 3 is a front, left, top, perspective view thereof;

FIG. 4 is a rear, right, top, perspective view thereof;

FIG. 5 is a front elevation view thereof;

FIG. 6 is a rear elevation view thereof;

FIG. 7 is a left side view thereof;

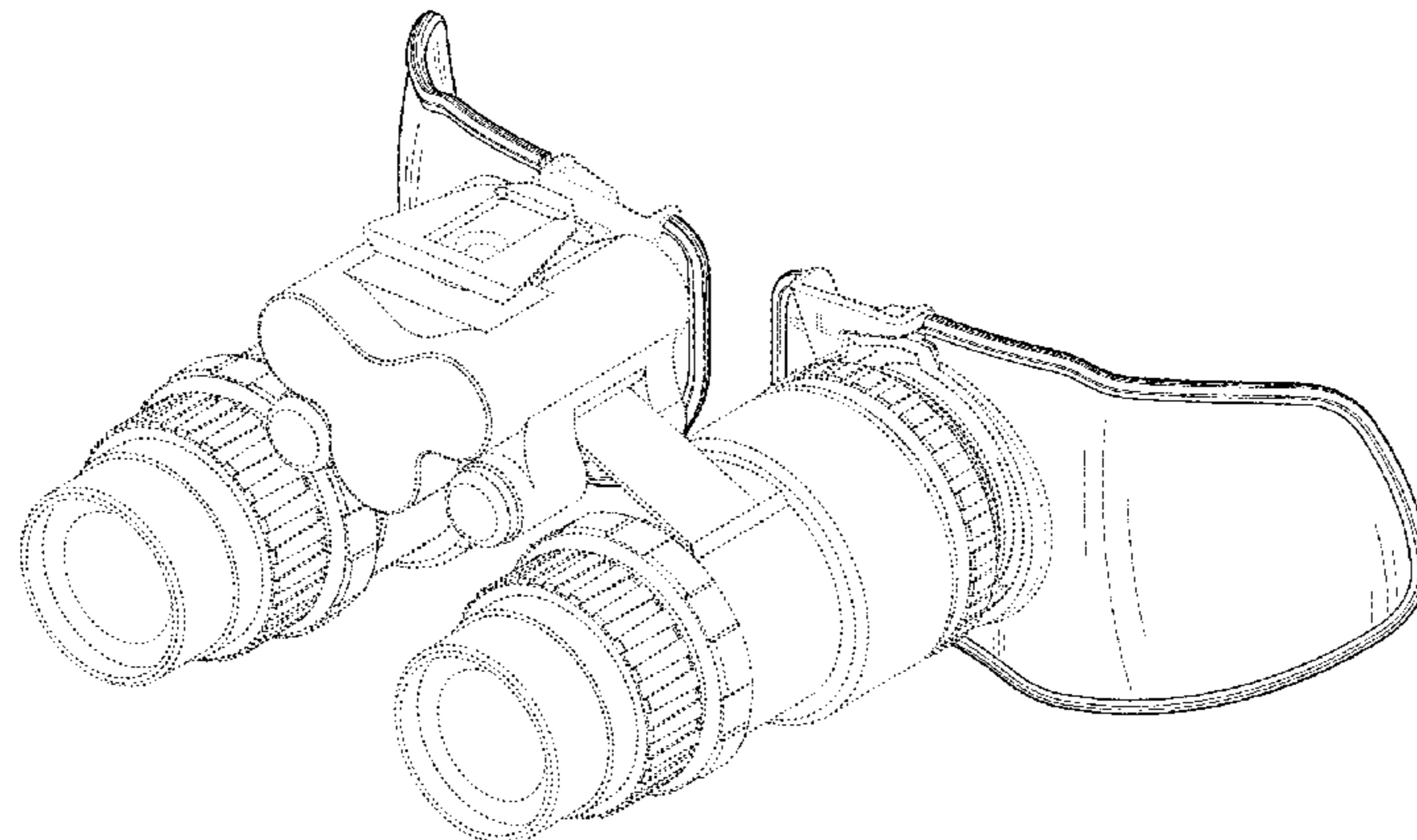
FIG. 8 is a right side view thereof;

FIG. 9 is a top plan view thereof; and,

FIG. 10 is a bottom plan view thereof.

In the drawings, the broken lines are for the purpose of illustrating environment only and form no part of the claimed design.

1 Claim, 6 Drawing Sheets



(56)

References Cited

U.S. PATENT DOCUMENTS

D535,394 S * 1/2007 Johnson D24/133
D639,441 S * 6/2011 Sferle D24/189
D674,903 S * 1/2013 Harder D24/189
D723,698 S * 3/2015 Cockley D24/172
2006/0119790 A1* 6/2006 Tsai G02C 1/04
351/110

OTHER PUBLICATIONS

Webpage: http://www.bhphotovideo.com/c/product/616830-REG/Night_Optics_NO_NA_A3144422_Rubber_Eye_Cup.html; saved on Dec. 10, 2015.

Webpage: <http://www.bestbinocularsreviews.com/Luna%20Optics1x26LN-EM1-MS-105.htm>; saved on Dec. 10, 2015.

* cited by examiner

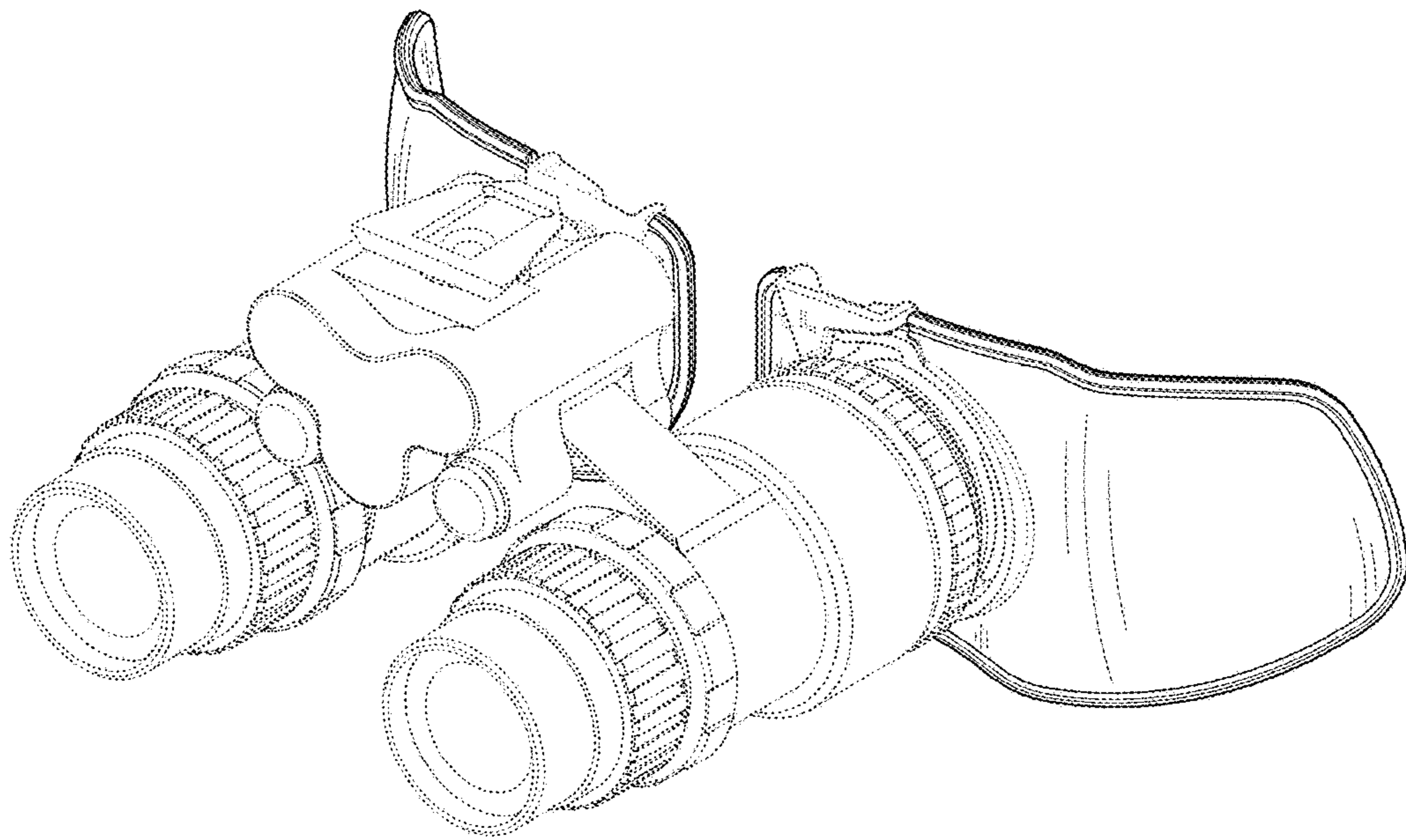


FIG. 1

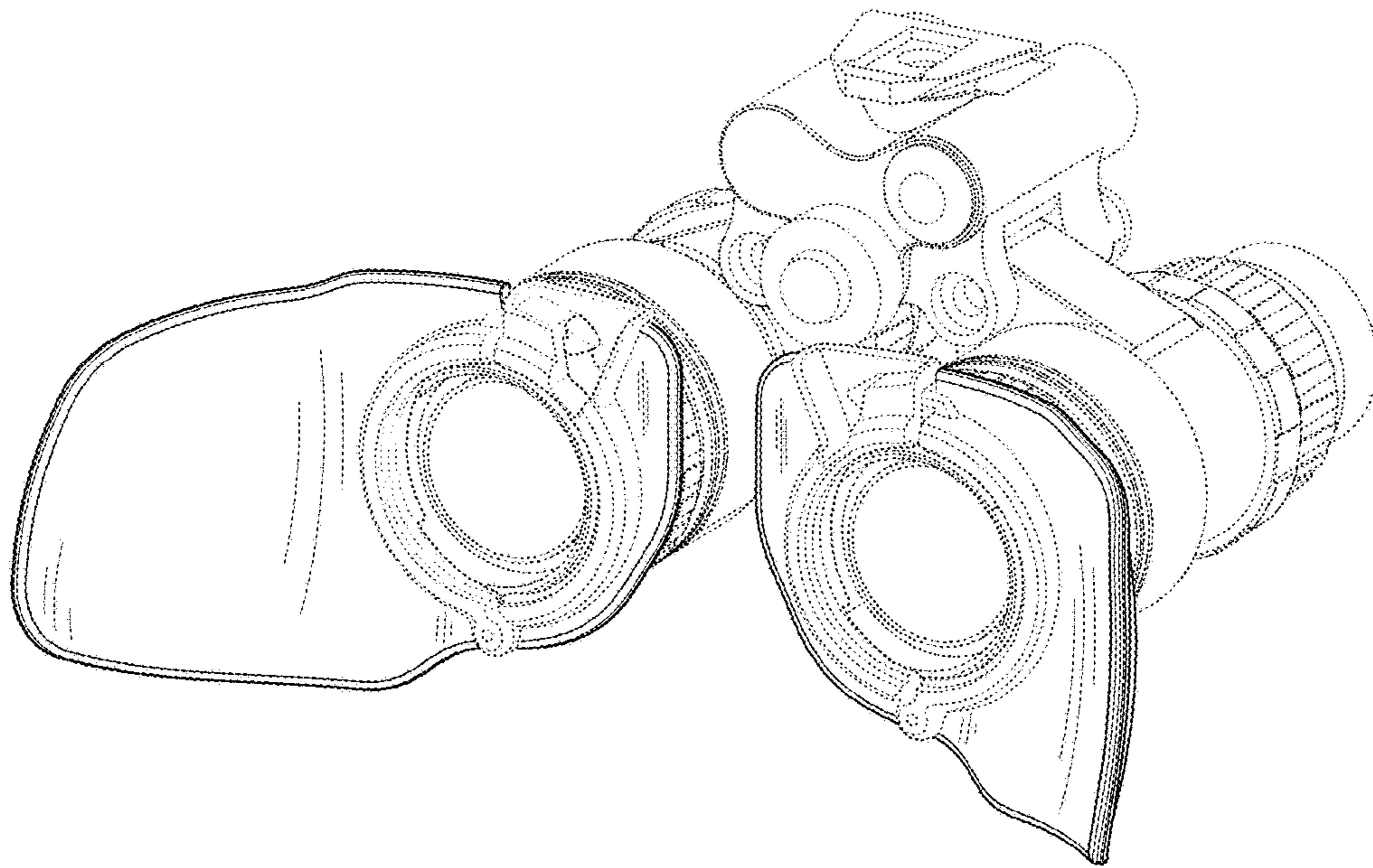


FIG. 2

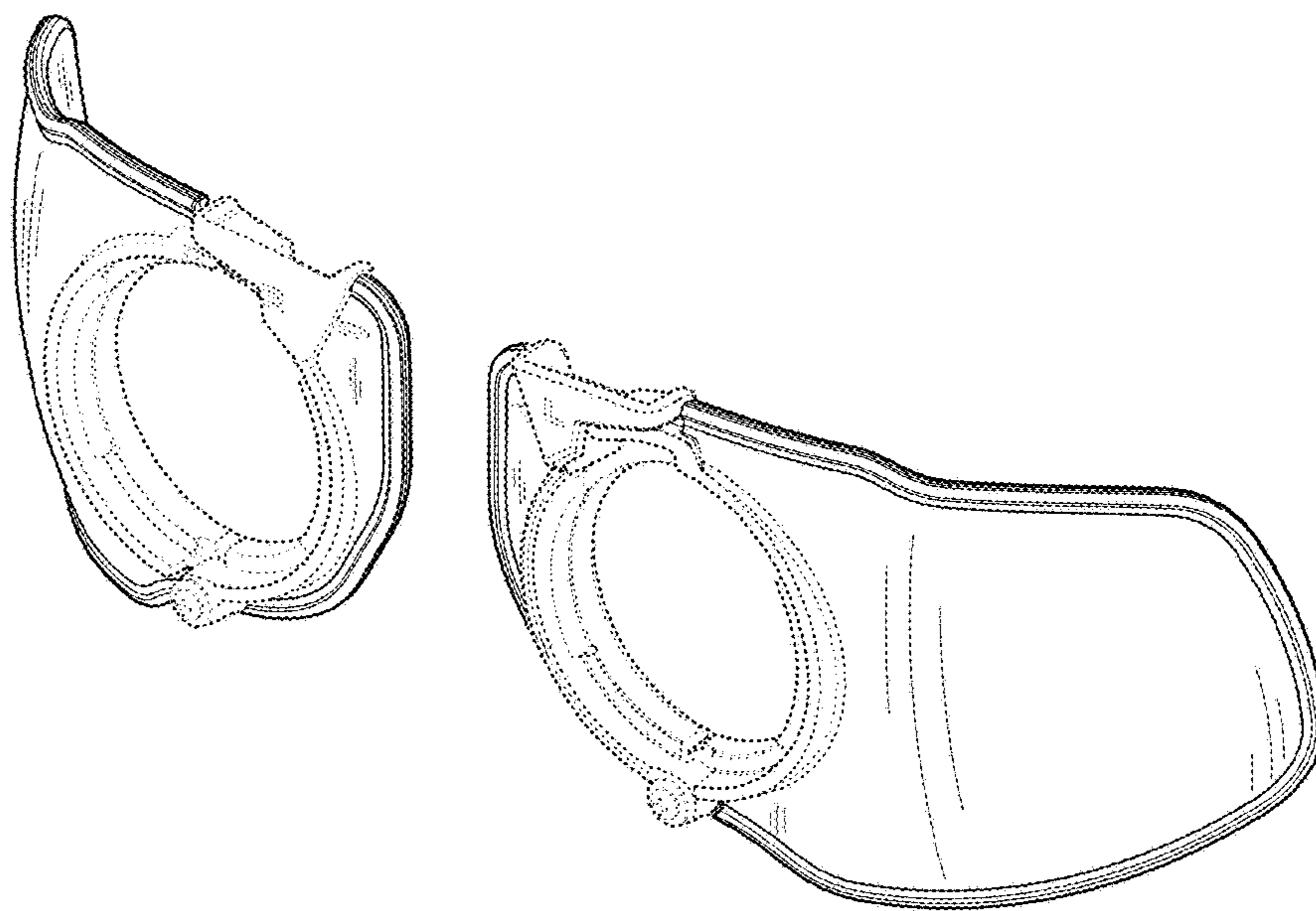


FIG. 3

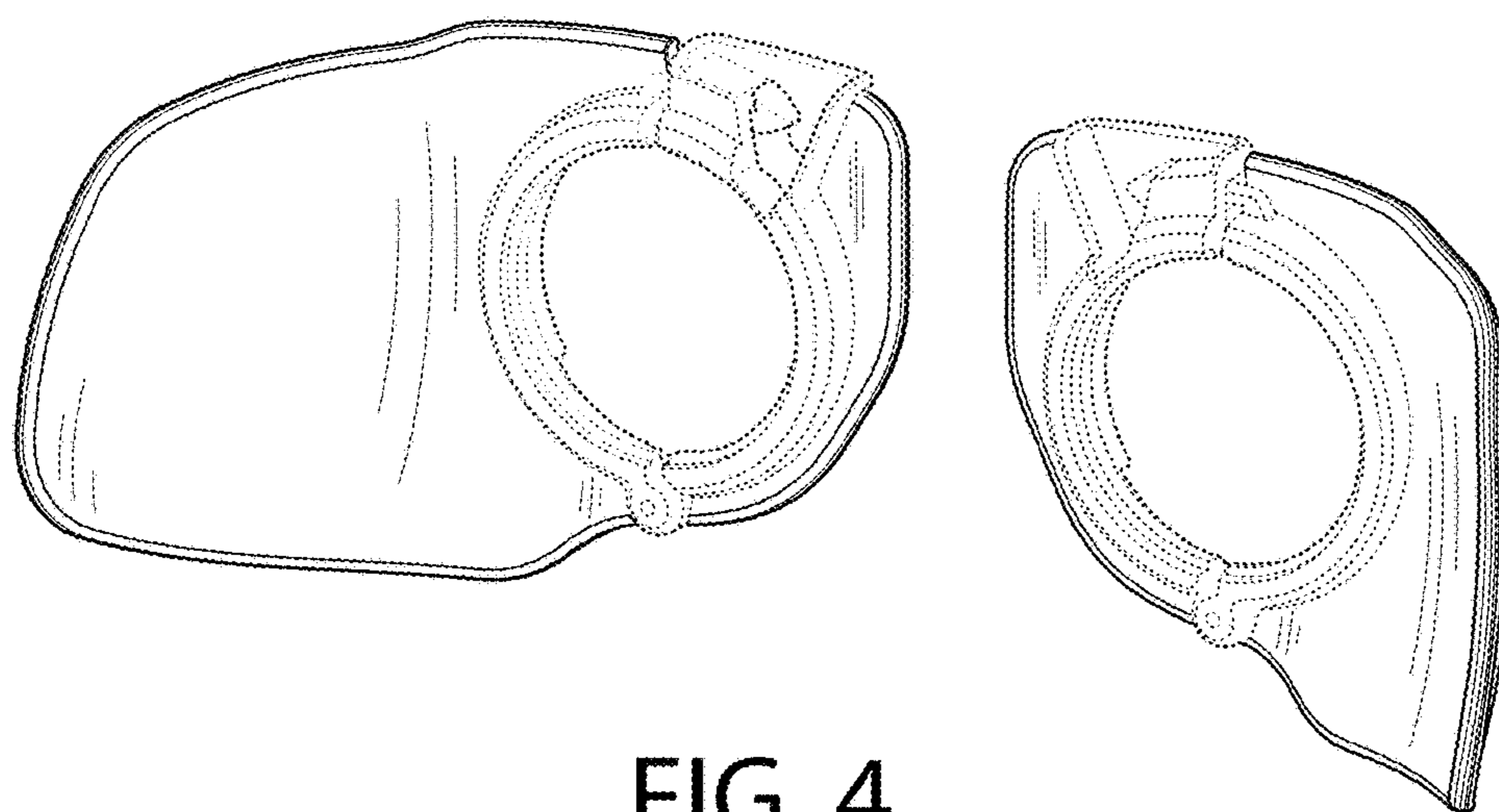


FIG. 4

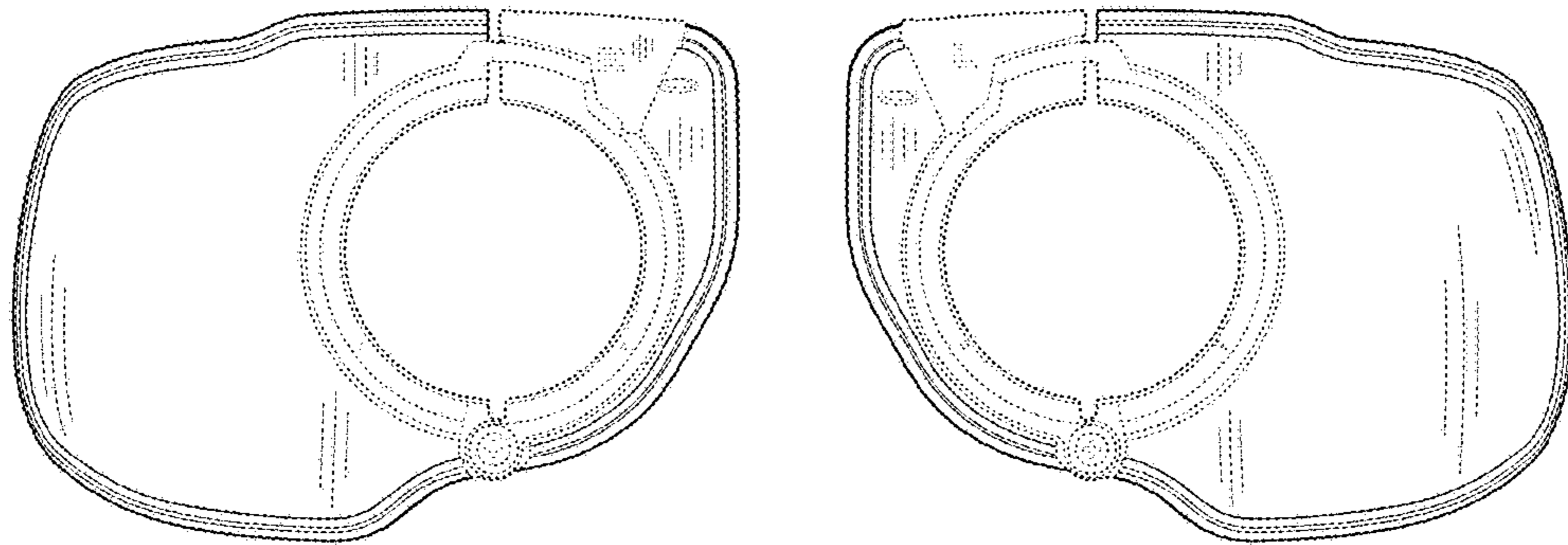


FIG. 5

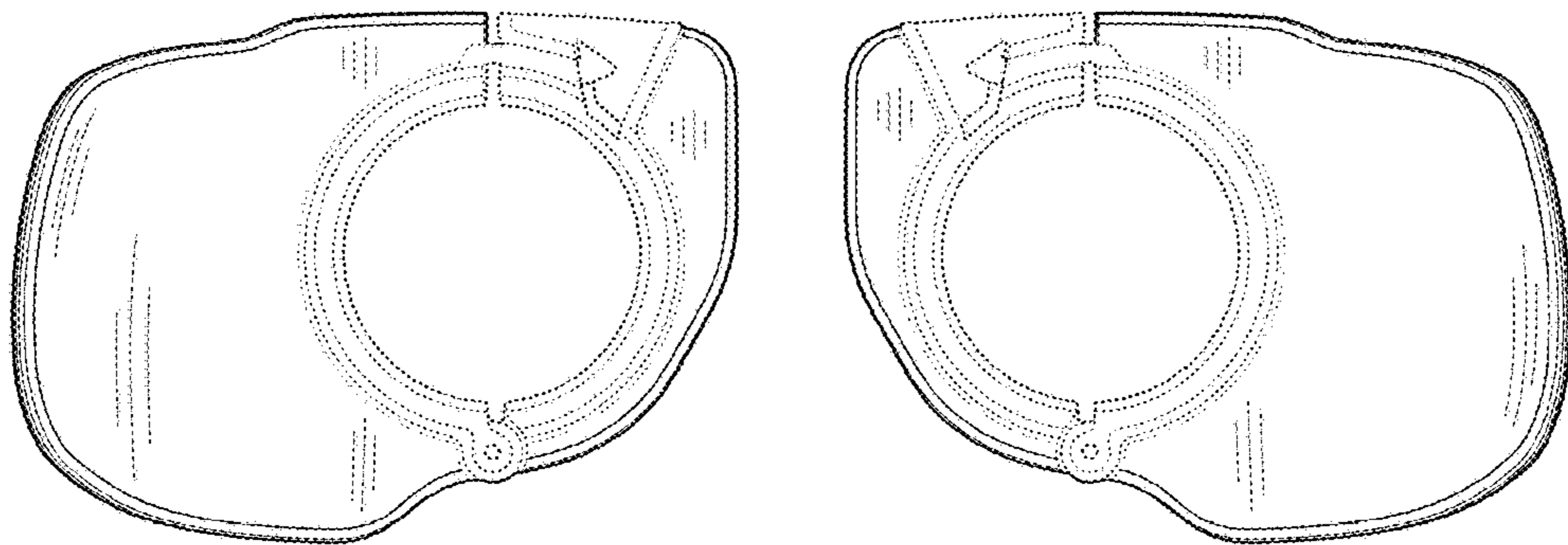


FIG. 6

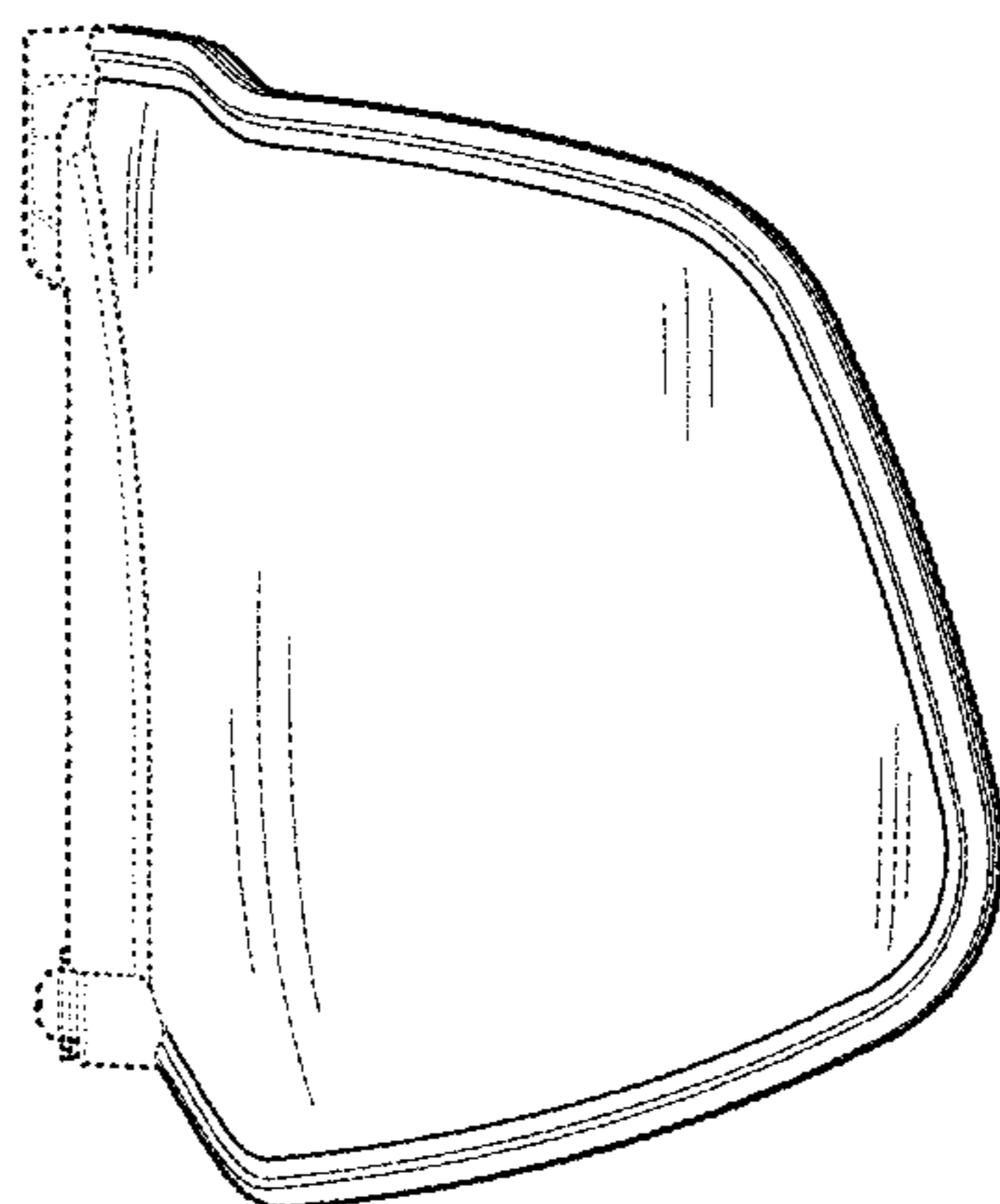


FIG. 7

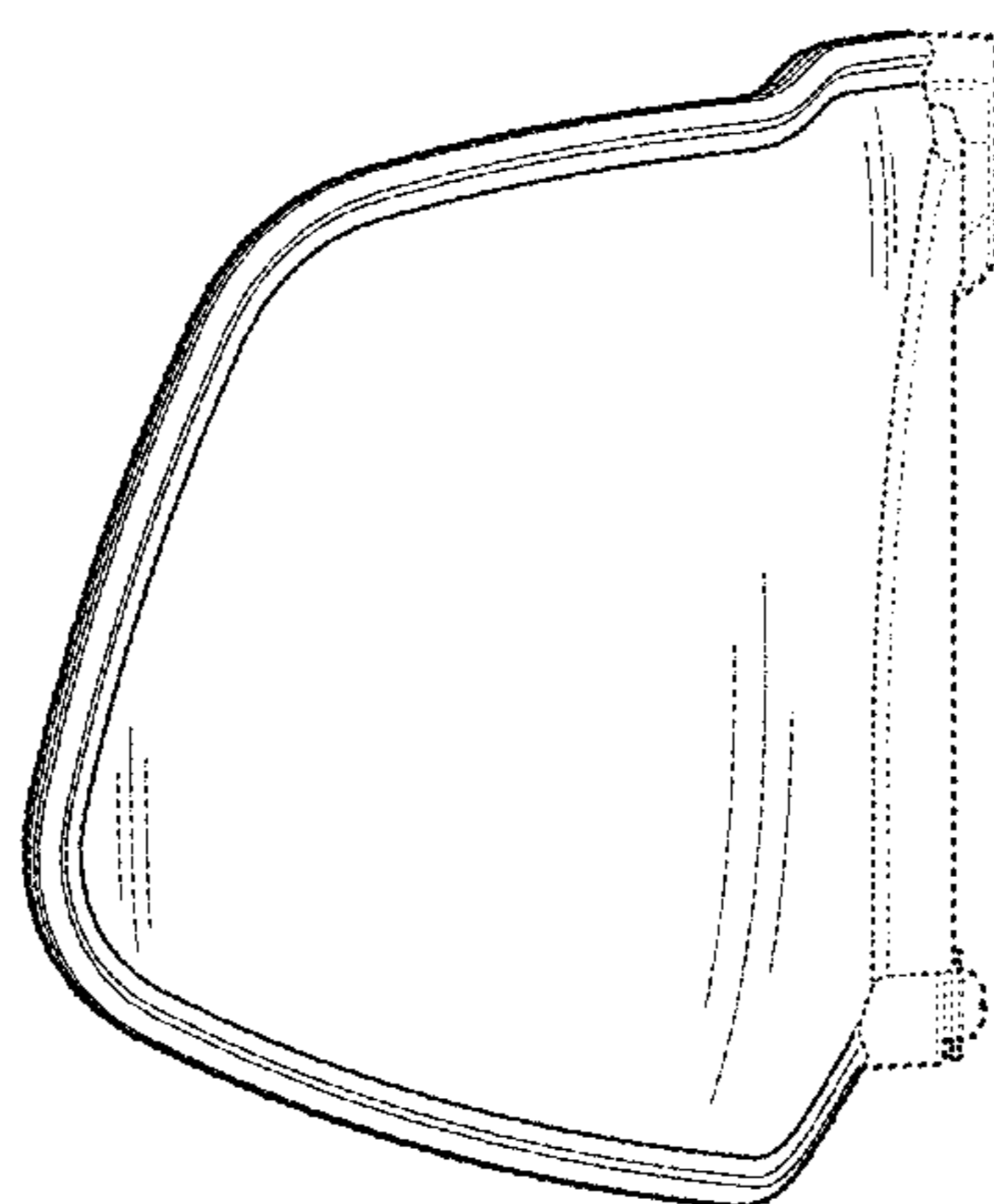


FIG. 8

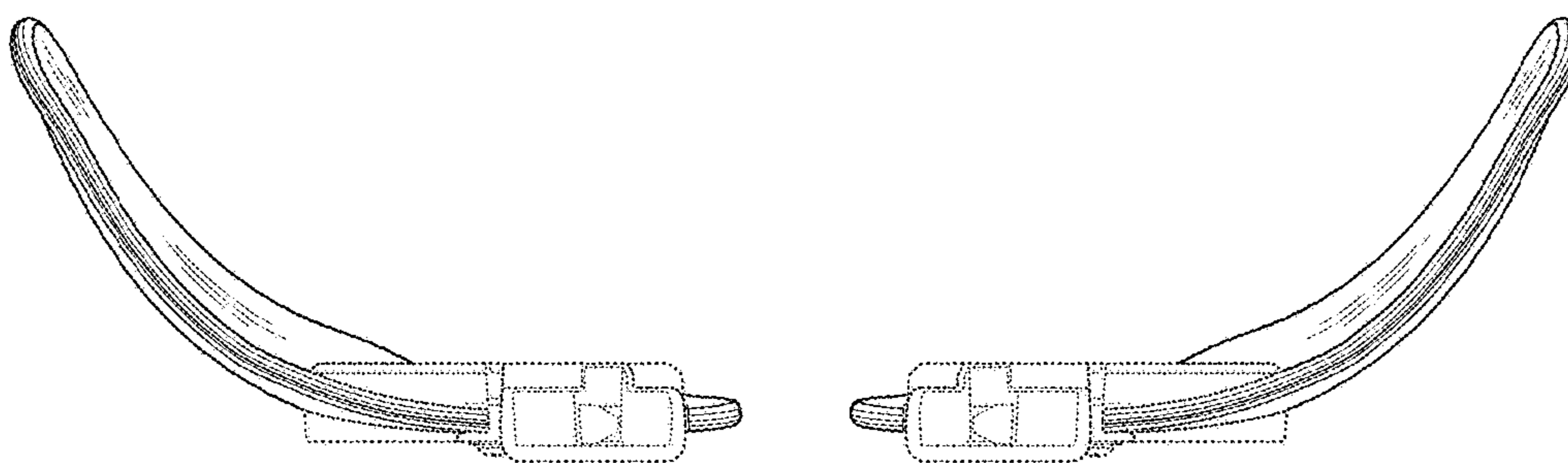


FIG. 9

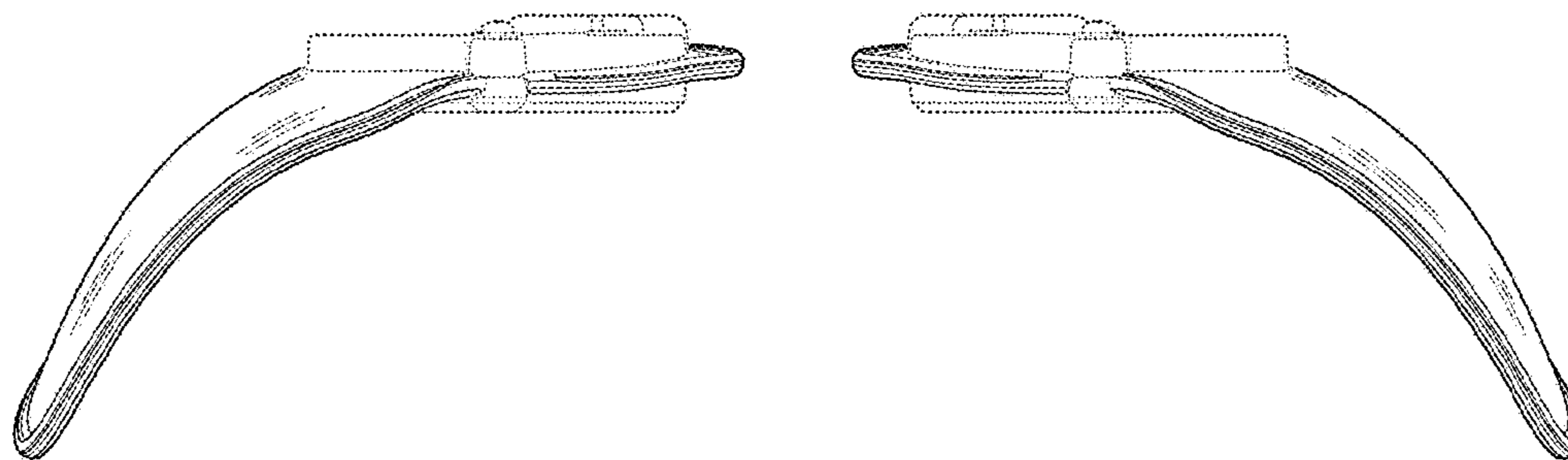


FIG. 10