



US00D819212S

(12) **United States Design Patent**  
**Alexander**

(10) **Patent No.:** **US D819,212 S**  
(45) **Date of Patent:** **\*\* May 29, 2018**

(54) **ORTHOPEDIC HINGE**

(71) Applicant: **WEBER ORTHOPEDIC INC.**, Santa Paula, CA (US)

(72) Inventor: **Matthew Alexander**, Colorado Springs, CO (US)

(73) Assignee: **WEBER ORTHOPEDIC, INC.**, Santa Paula, CA (US)

(\*\*) Term: **15 Years**

(21) Appl. No.: **29/571,421**

(22) Filed: **Jul. 18, 2016**

(51) **LOC (11) Cl.** ..... **24-02**

(52) **U.S. Cl.**  
USPC ..... **D24/171**

(58) **Field of Classification Search**  
USPC ..... D24/145, 155, 171, 190, 192;  
D29/120.1, 121.1

(Continued)

(56) **References Cited**

U.S. PATENT DOCUMENTS

817,785 A \* 4/1906 Kritsch ..... A61F 5/0125  
16/374  
4,620,532 A \* 11/1986 Houswerth ..... A61F 5/0125  
602/16

(Continued)

*Primary Examiner* — Sheryl Lane

*Assistant Examiner* — Calvin E Vansant

(74) *Attorney, Agent, or Firm* — Paul Y. Feng; One LLP

(57) **CLAIM**

The design for an orthopedic hinge, as shown and described.

**DESCRIPTION**

FIG. 1 shows my new orthopedic hinge design, and is a top plan view of a left limb embodiment that includes two arms with a pivot in between the arms;

FIG. 2 shows my new orthopedic hinge design, and is a top plan view of a right limb embodiment, wherein the two embodiments in FIGS. 1 and 2 are mirror images of each other;

FIG. 3 is a bottom view of the left embodiment of the orthopedic hinge, and shows the reverse side from FIG. 1; FIG. 4 is a bottom view of the right embodiment of the orthopedic hinge, and shows the reverse side from FIG. 2; FIG. 5 is a side perspective view of the left embodiment in a second position;

FIG. 6 is a side perspective view of the right embodiment in a second position;

FIG. 7 is a side elevational view of the left embodiment;

FIG. 8 is a side elevational view of the right embodiment;

FIG. 9 is a top perspective view of the left embodiment;

FIG. 10 is a top perspective view of the right embodiment;

FIG. 11 is another top perspective view of the left embodiment;

FIG. 12 is another top perspective view of the right embodiment;

FIG. 13 is a bottom perspective view of the left embodiment;

FIG. 14 is a bottom perspective view of the right embodiment;

FIG. 15 is an upper side perspective view of the left embodiment in a third position;

FIG. 16 is another upper side perspective view of the left embodiment in a third position;

FIG. 17 is a bottom side perspective view of the right embodiment in a third position;

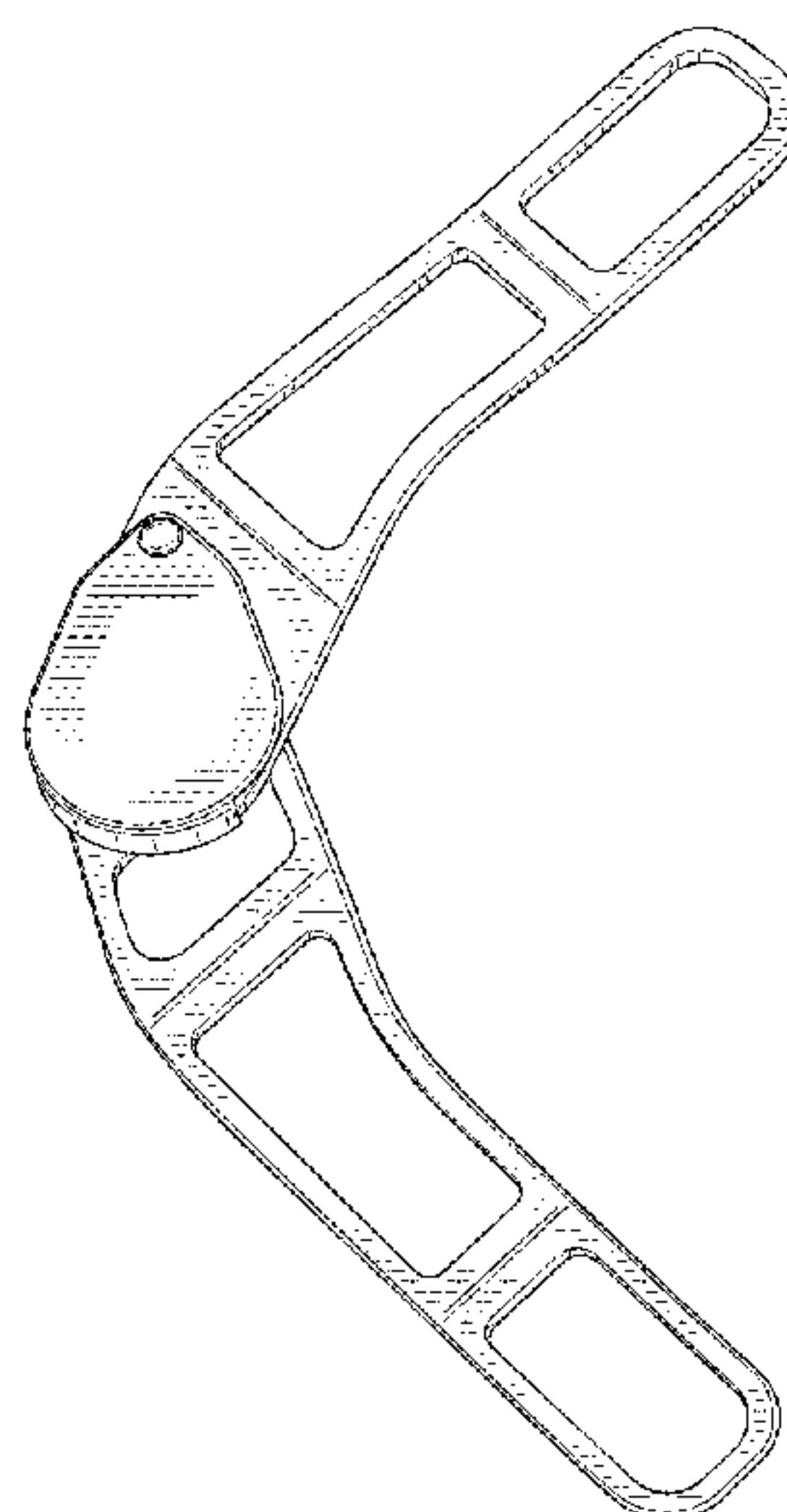
FIG. 18 is another bottom side perspective view of the right embodiment in a third position;

FIG. 19 is another top plan view of the right embodiment in a fourth position; and,

FIG. 20 is another bottom view of the right embodiment in a fourth position.

The broken lines illustrate portions of the orthopedic hinge that form no part of the claimed design.

**1 Claim, 18 Drawing Sheets**



# US D819,212 S

Page 2

(58)	<b>Field of Classification Search</b>	5,885,235 A *	3/1999	Opahle .....	A61F 5/0125
	CPC .....				602/16
	A61F 2002/0852; A61F 2005/0137; A61F	6,254,559 B1 *	7/2001	Tyrrell .....	A61F 5/0193
	2005/0165; A61F 2005/0167; A61F				602/16
	2005/0176; A61F 5/0123; A61F 5/0125;	7,001,349 B2	2/2006	Vollbrecht et al.	
	F16C 11/04	D529,180 S *	9/2006	Ingimundarson .....	D24/190
	See application file for complete search history.	D530,820 S *	10/2006	Muehlenberend .....	D24/190
		7,615,025 B2 *	11/2009	Nathanson .....	A61F 5/0123
(56)	<b>References Cited</b>				602/16
		8,292,838 B2 *	10/2012	Ingimundarson .....	A61F 5/0123
	<b>U.S. PATENT DOCUMENTS</b>				128/846
		9,107,735 B2 *	8/2015	Wayd .....	A61F 5/0123
		9,233,018 B2 *	1/2016	Chetlapalli .....	A61F 5/0125
	4,890,607 A *	2009/0076618 A1 *	3/2009	Auberger .....	A61F 2/64
	1/1990 Townsend .....				623/18.11
	A61F 5/0123				
	602/26				
	5,009,223 A *	2015/0223958 A1 *	8/2015	Dunn .....	A61F 5/0102
	4/1991 DeFonce .....				602/16
	A61F 5/0123				
	602/16				
	5,230,696 A	2015/0290012 A1 *	10/2015	Ferrigolo .....	A61F 5/0123
	7/1993 Silver et al.				602/16
	5,632,725 A	2017/0112652 A1 *	4/2017	Raab .....	A61F 5/0125
	5/1997 Silver et al.				
	5,669,873 A				
	9/1997 Towsley				
	5,827,208 A *				
	10/1998 Mason .....				
	A61F 5/0125				
	602/16				

\* cited by examiner

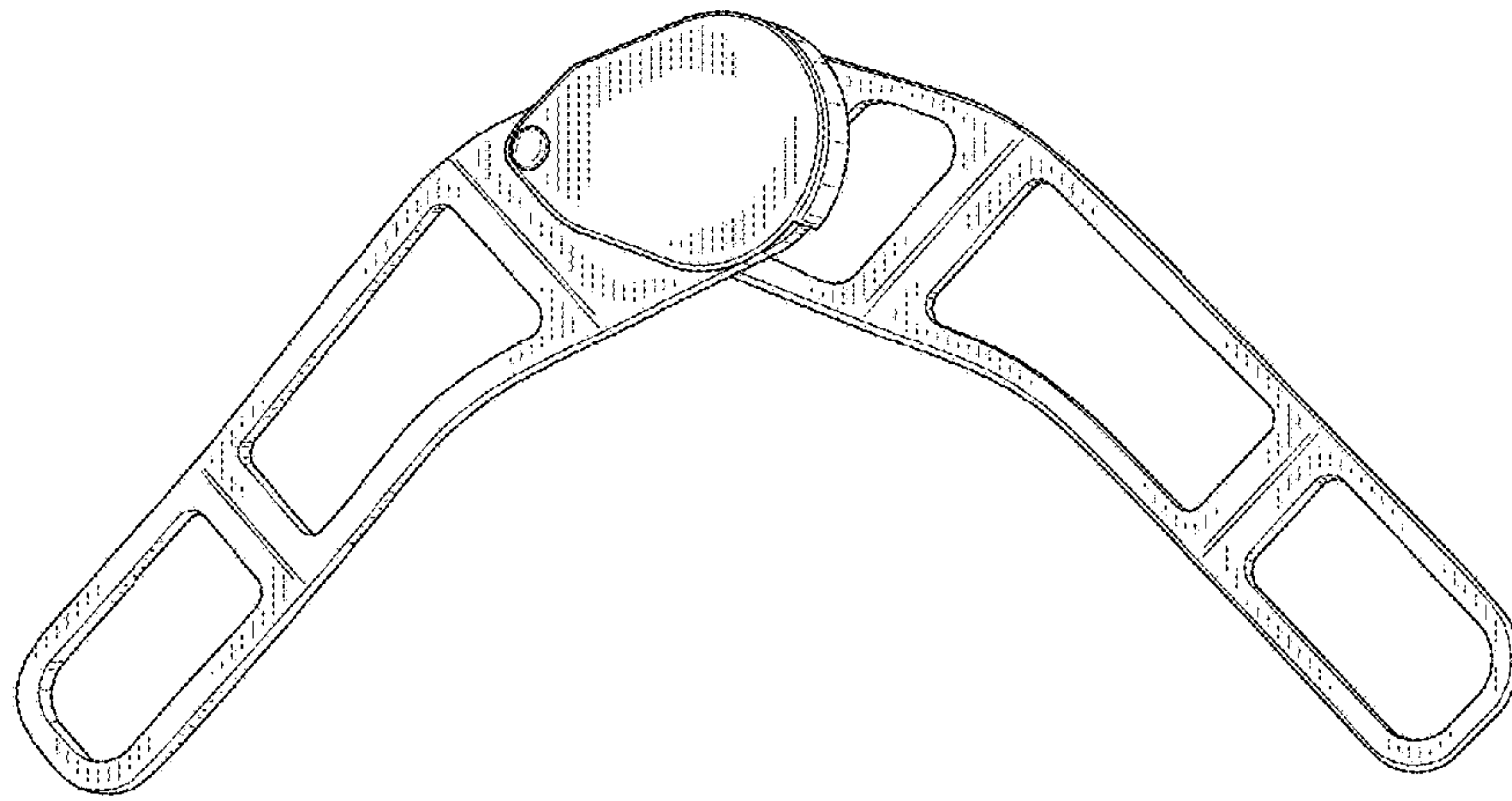


FIG. 2

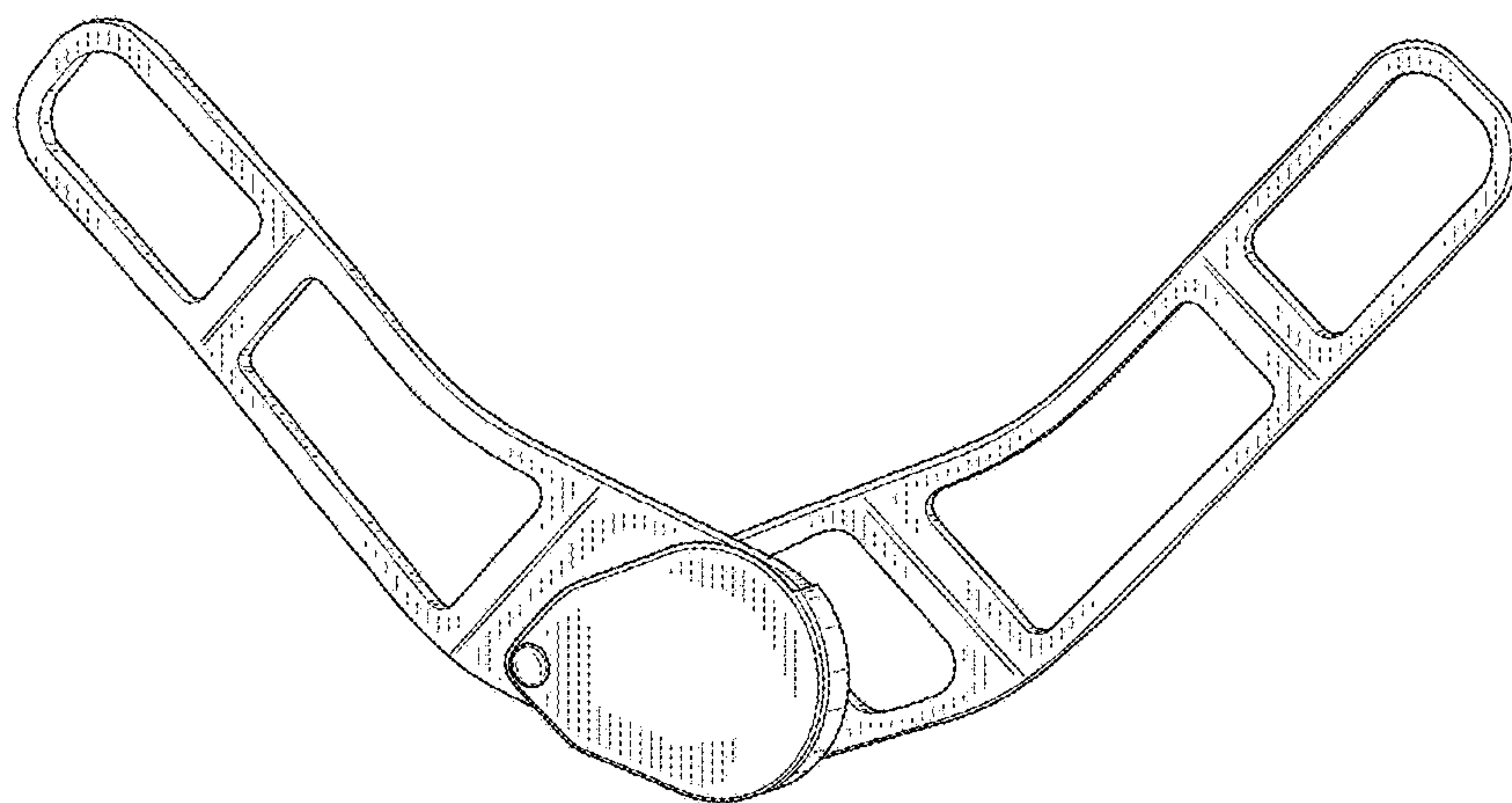


FIG. 1

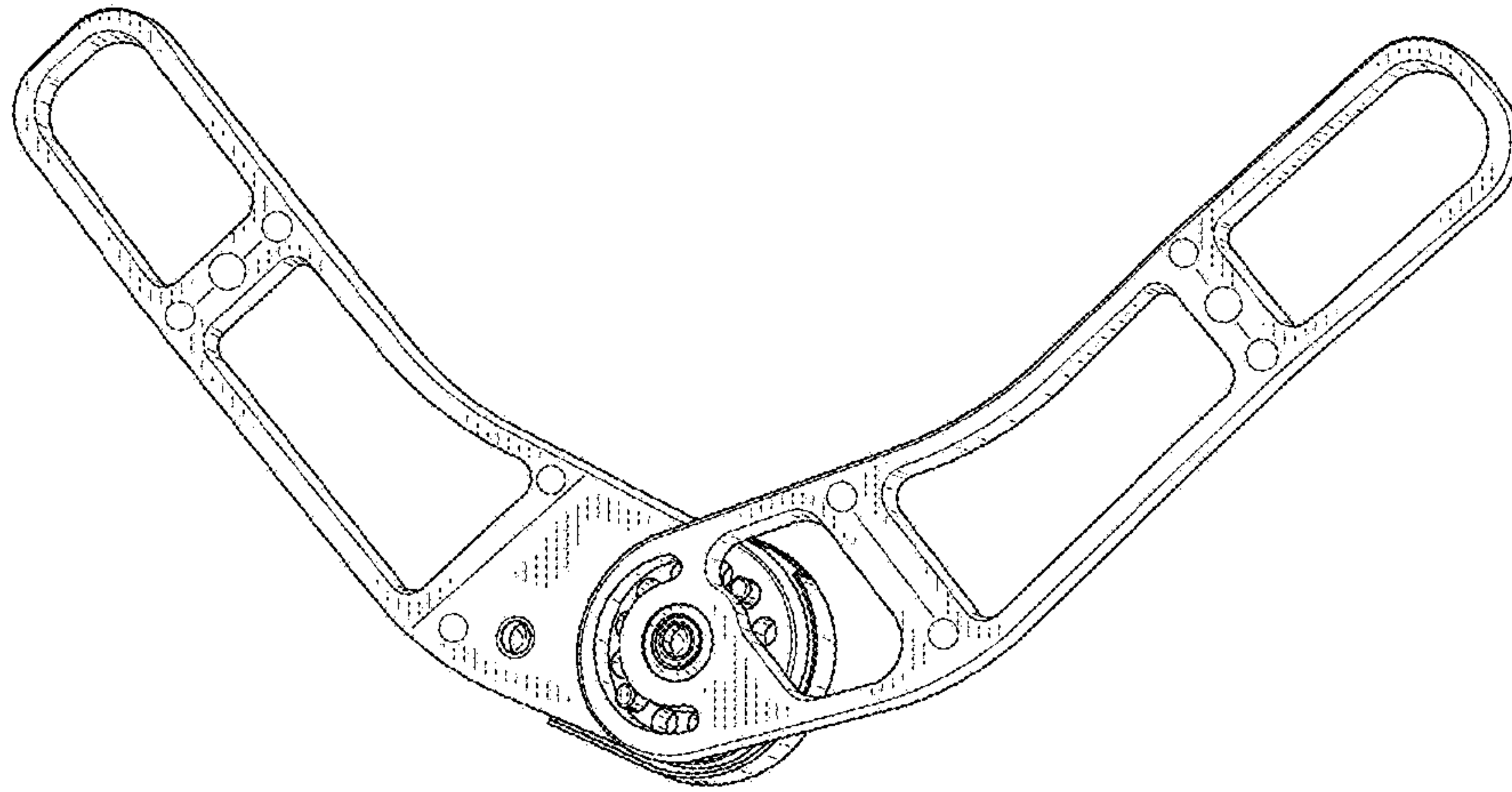


FIG. 4

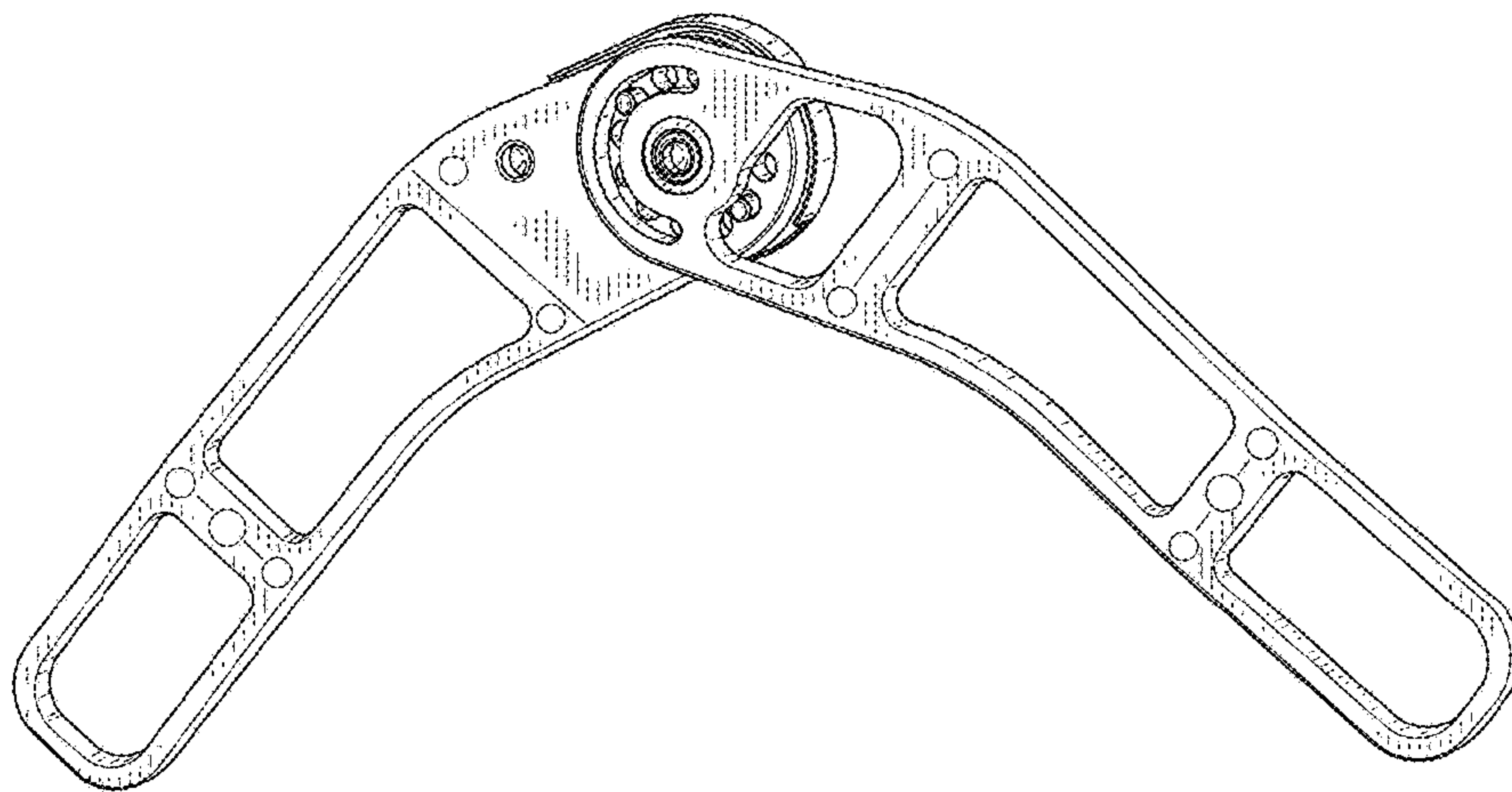


FIG. 3



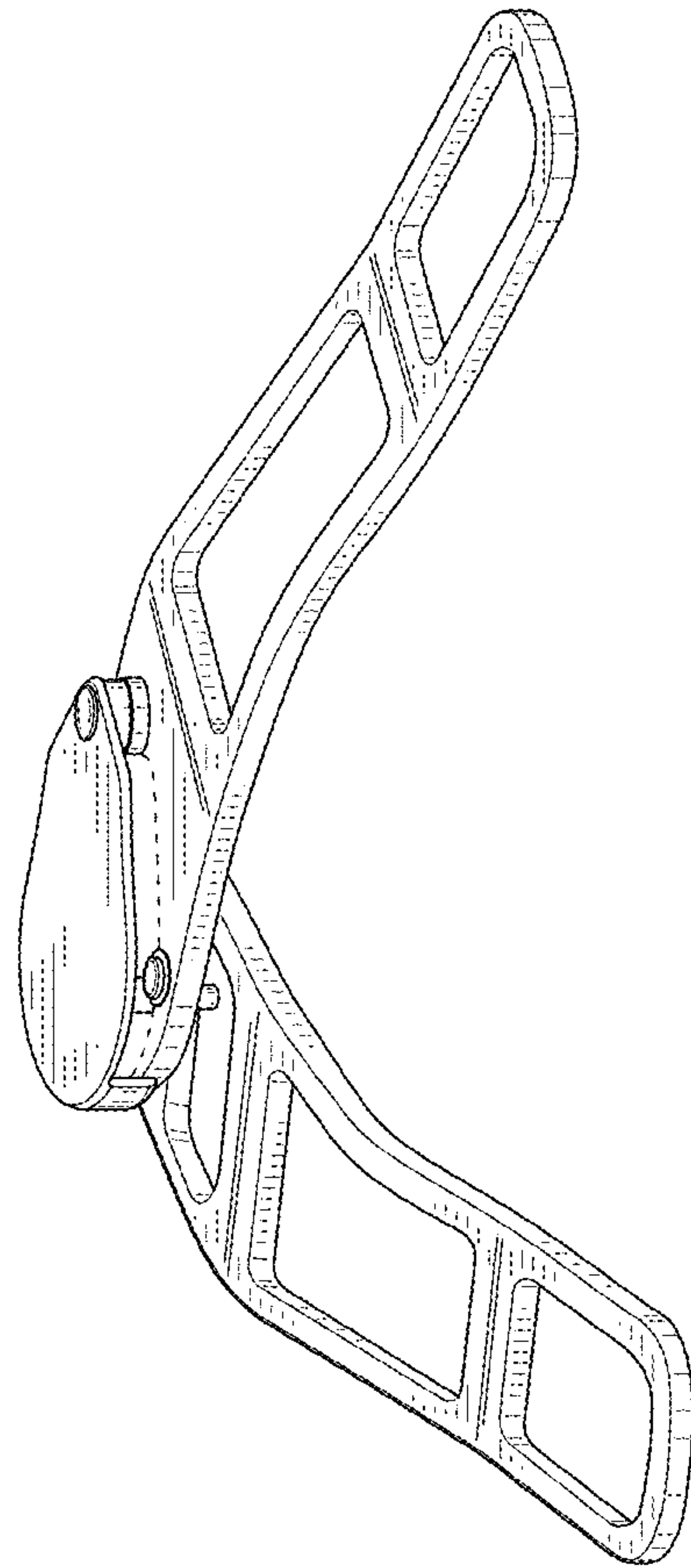


FIG. 5

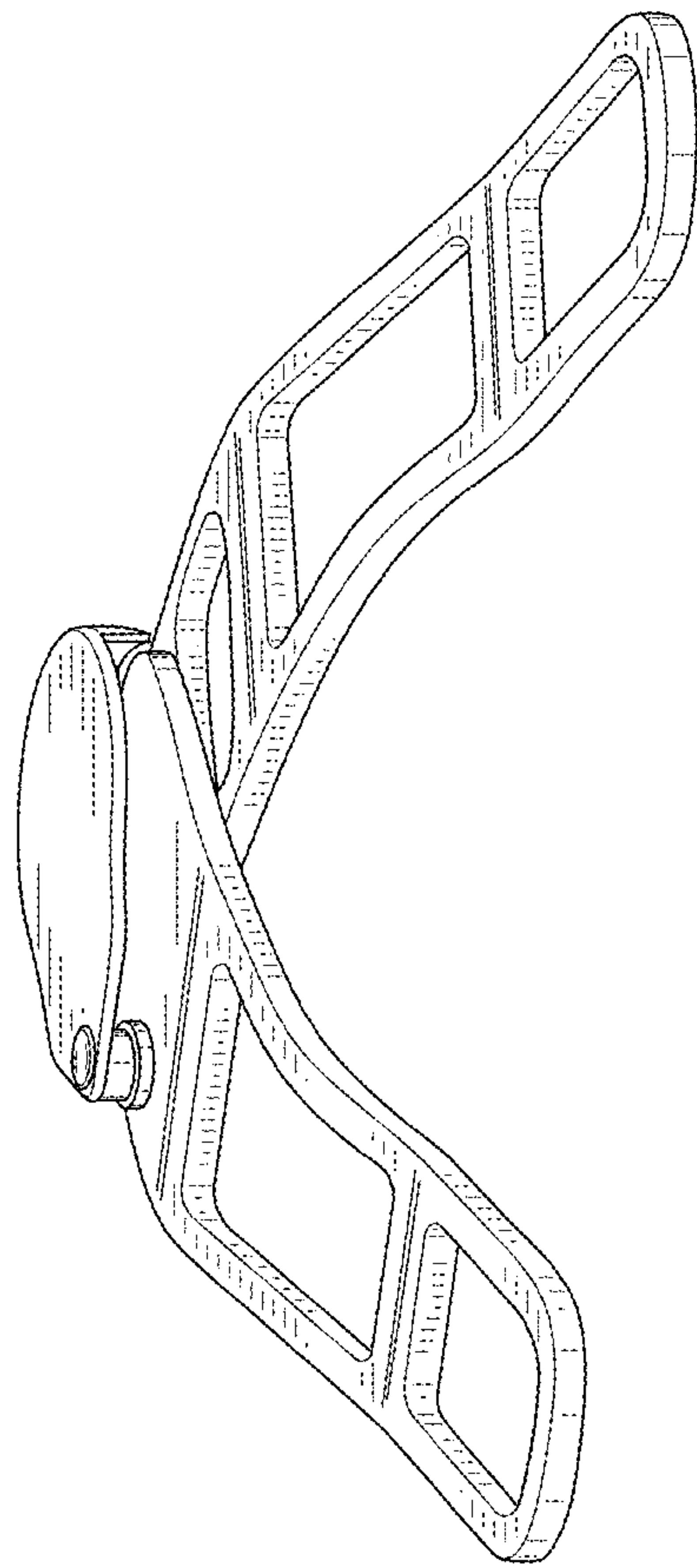


FIG. 6

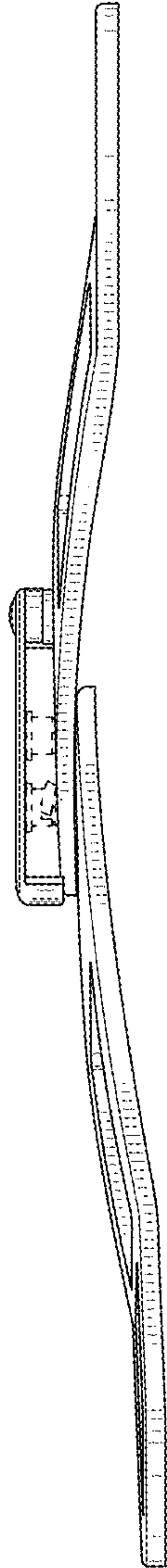


FIG. 7

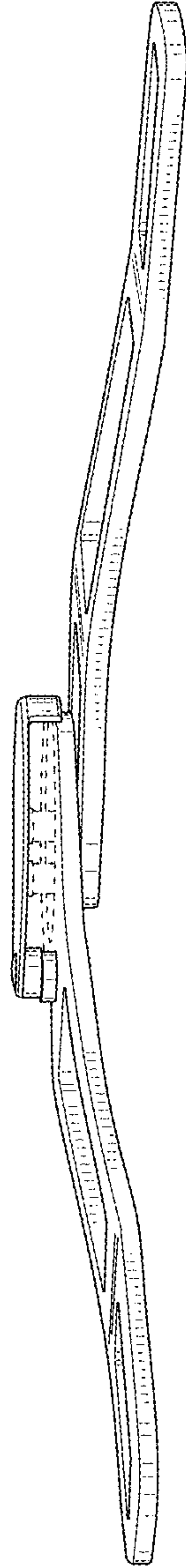


FIG. 8



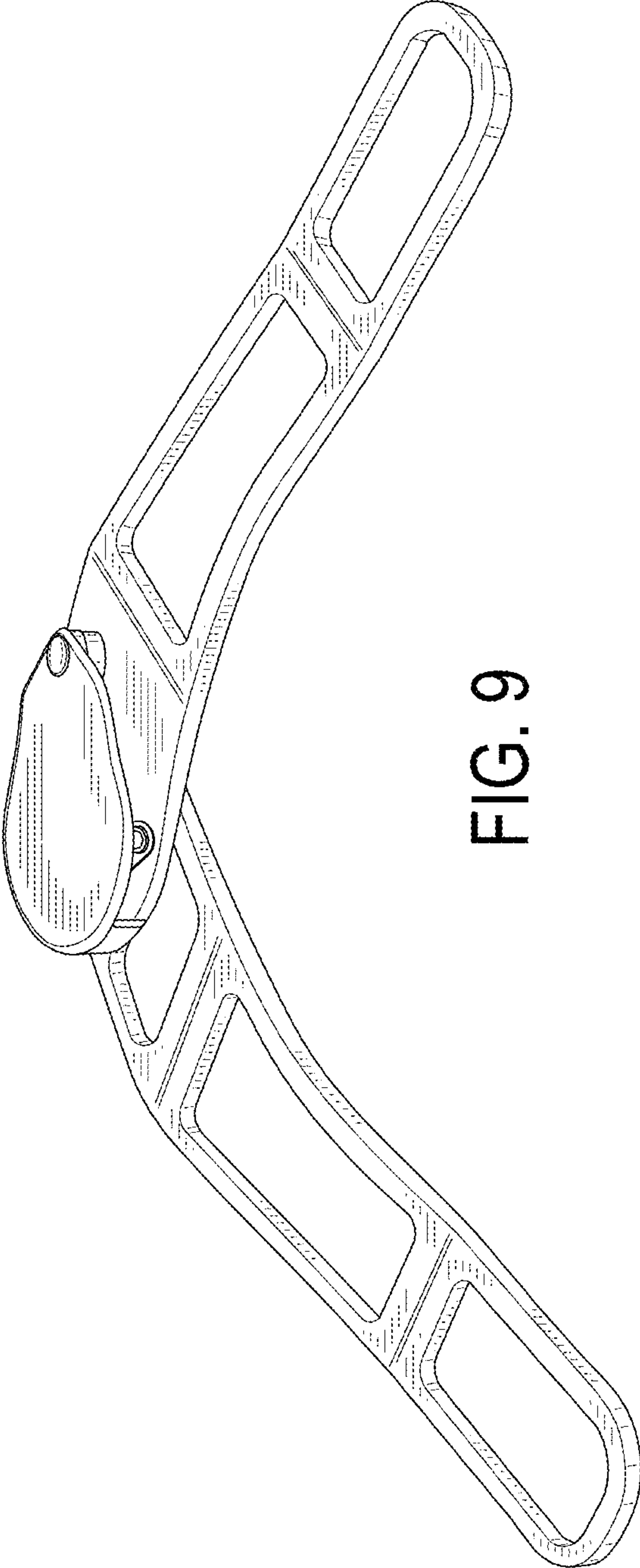


FIG. 9

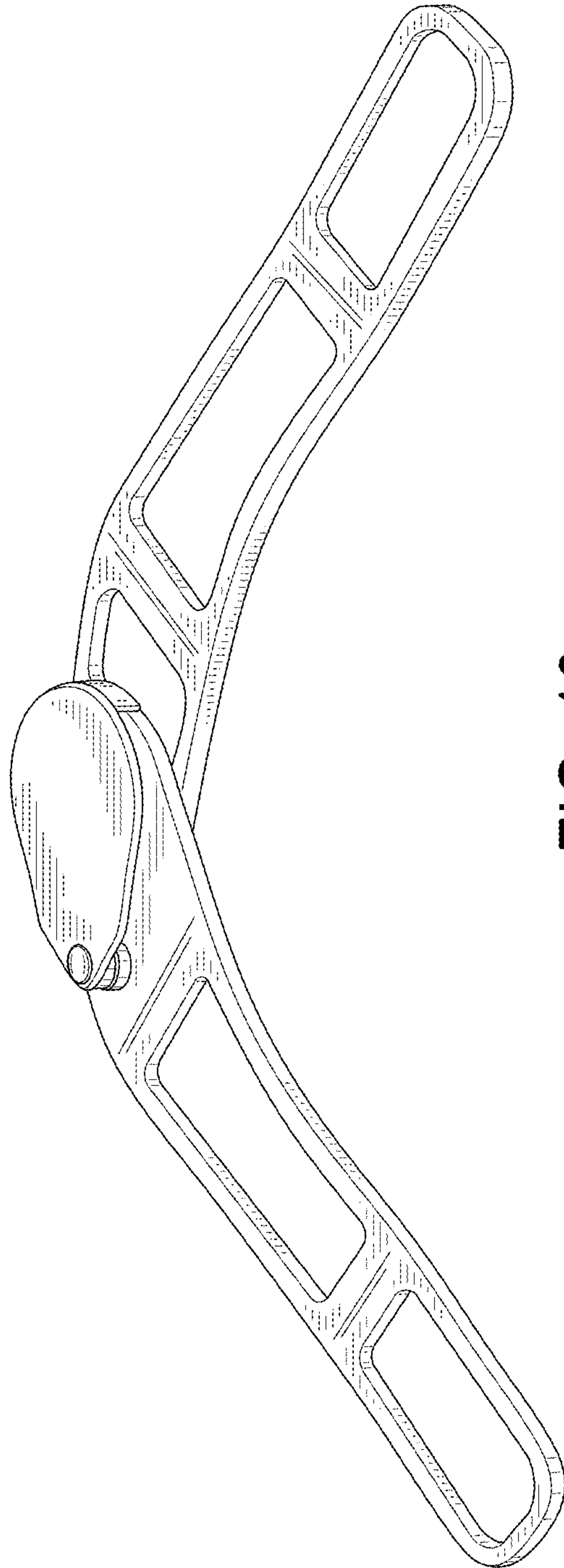


FIG. 10

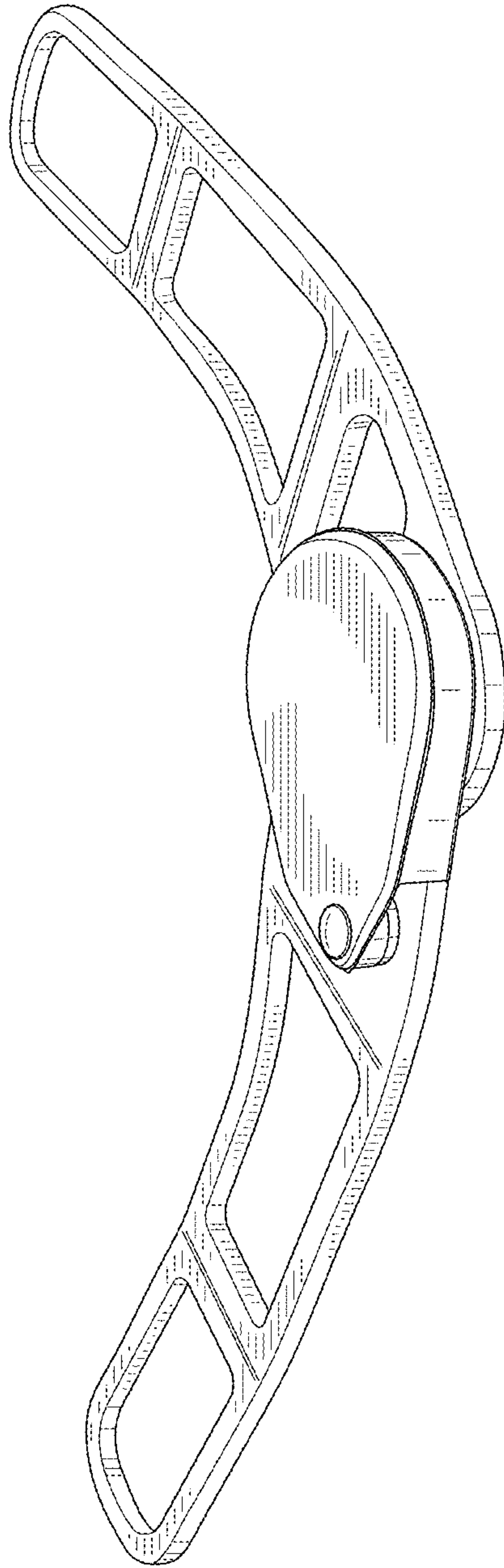


FIG. 11

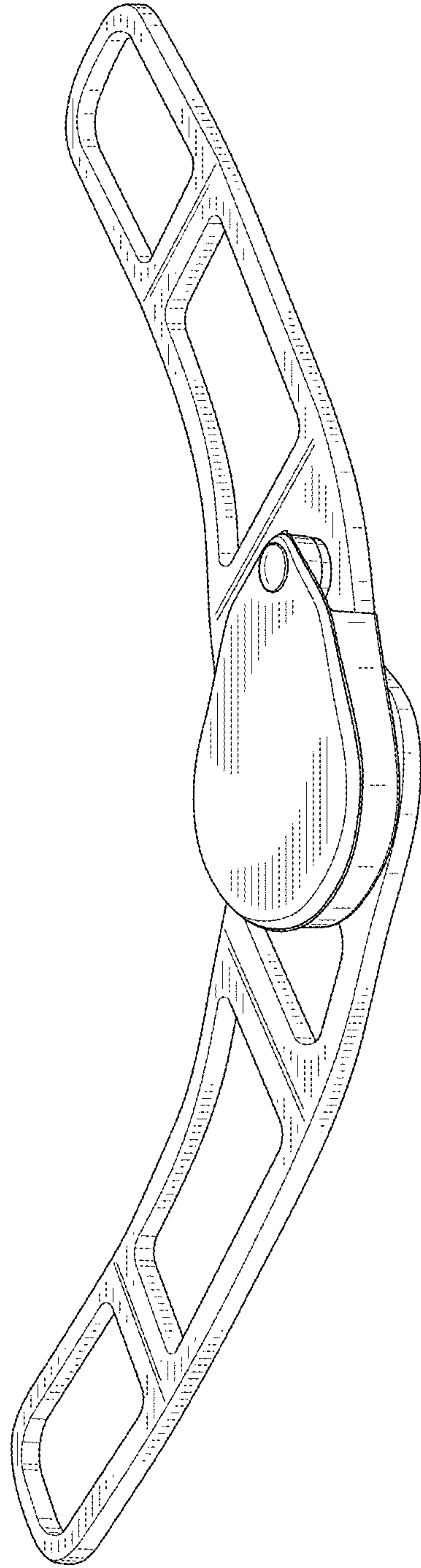


FIG. 12

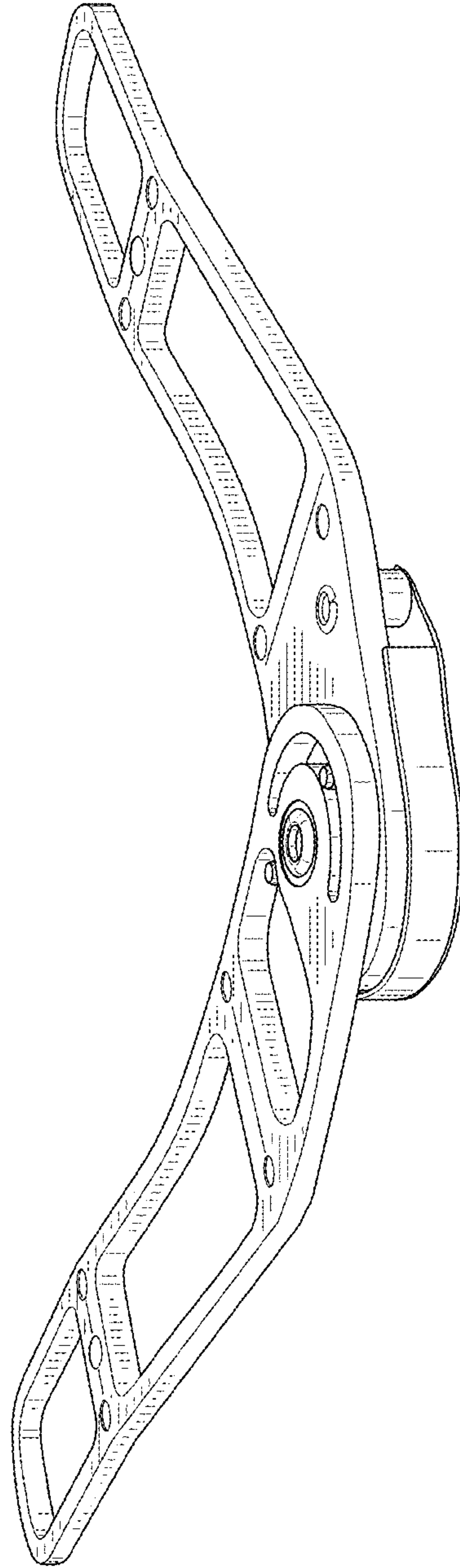


FIG. 13

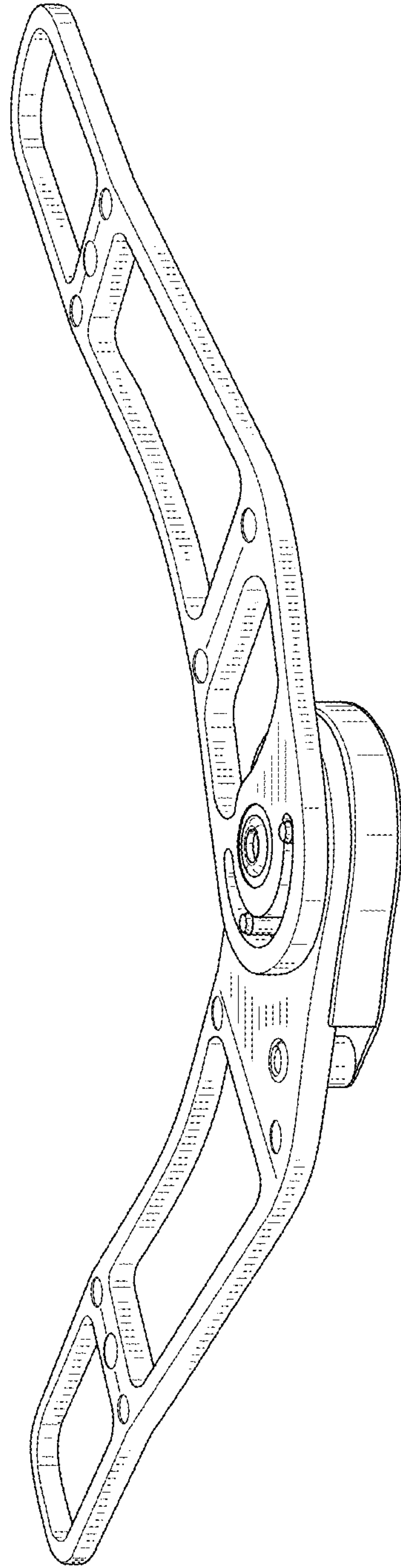


FIG. 14



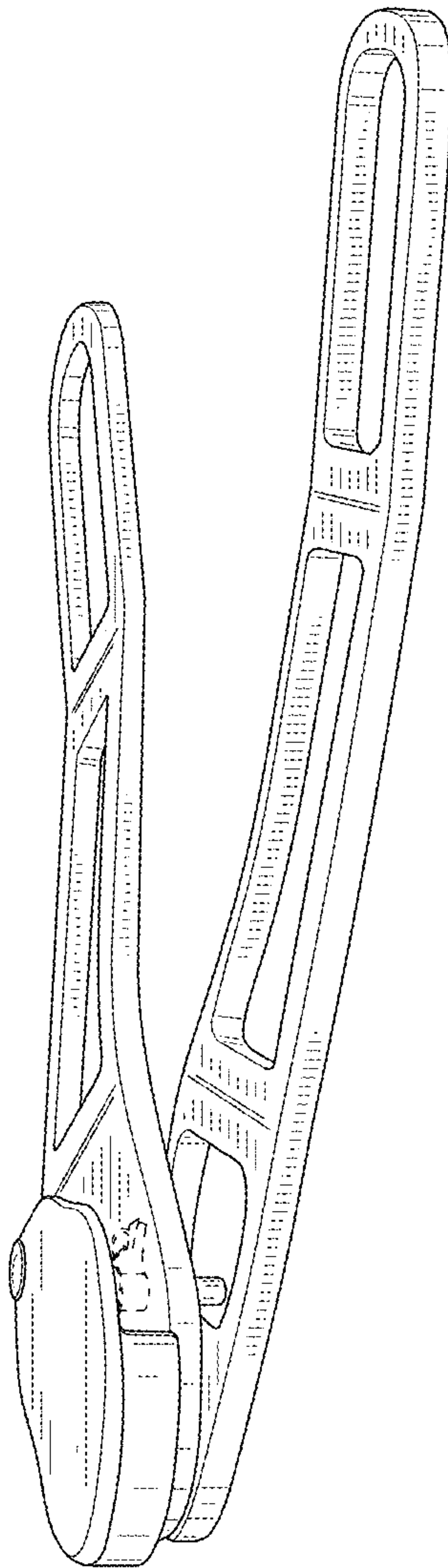


FIG. 15

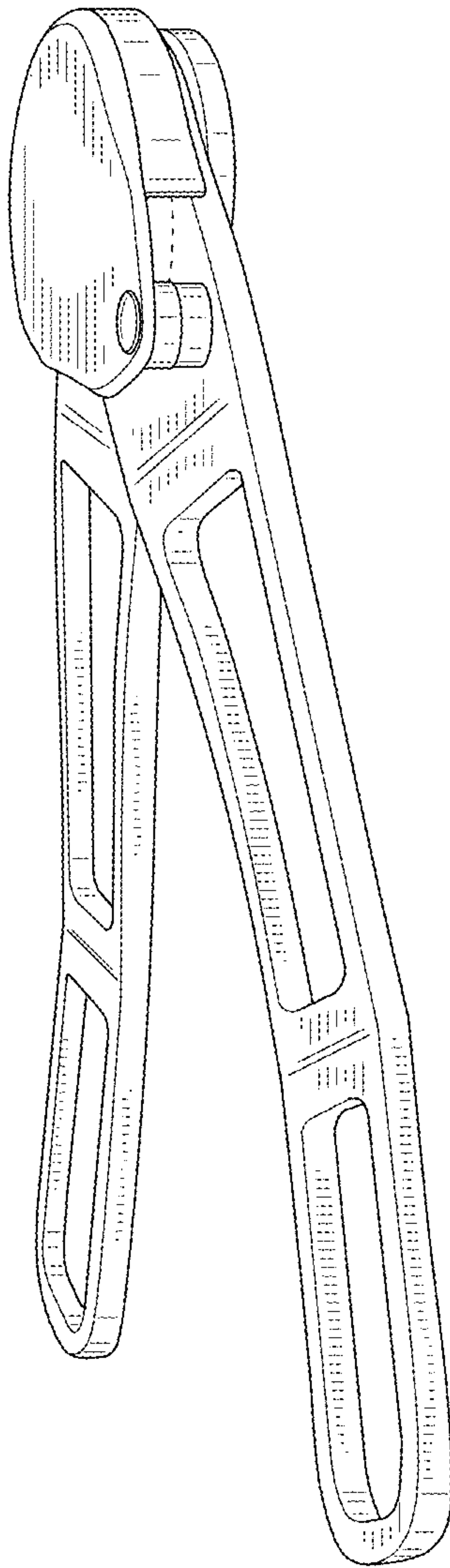


FIG. 16

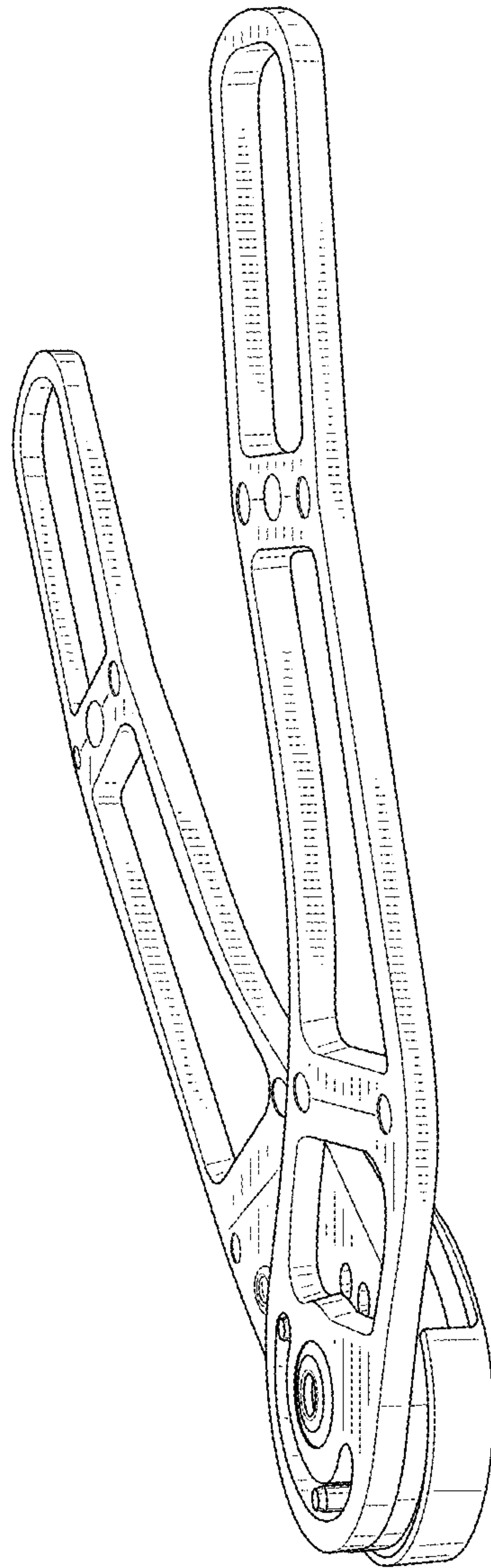


FIG. 17

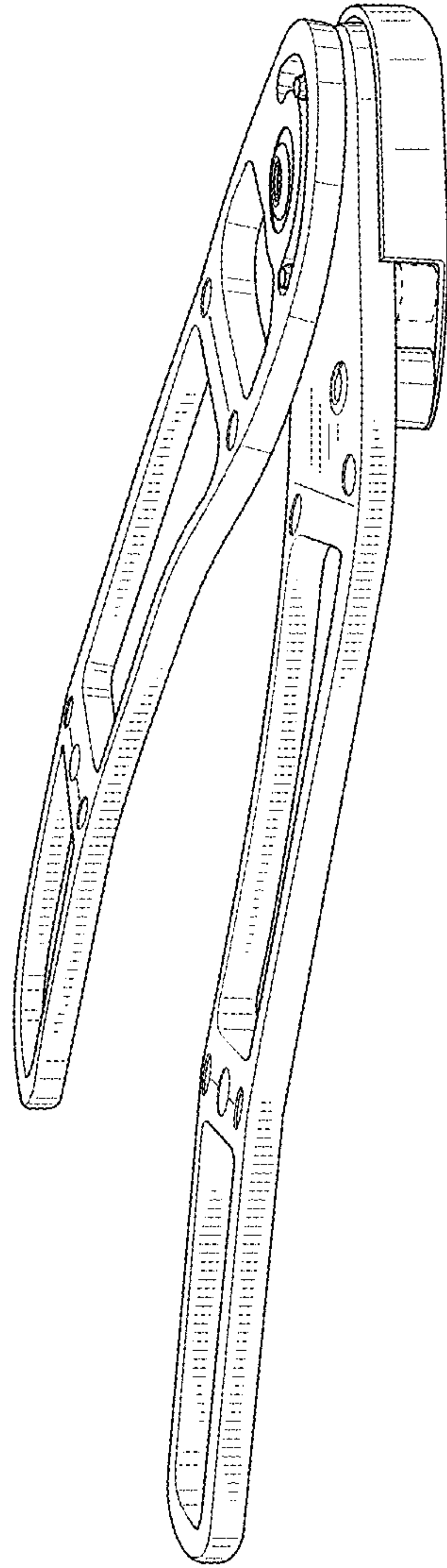


FIG. 18

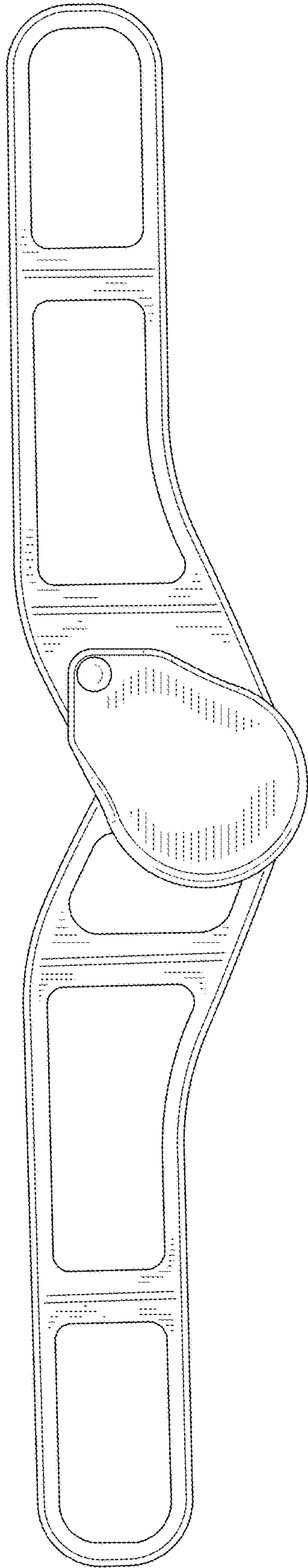


FIG. 19

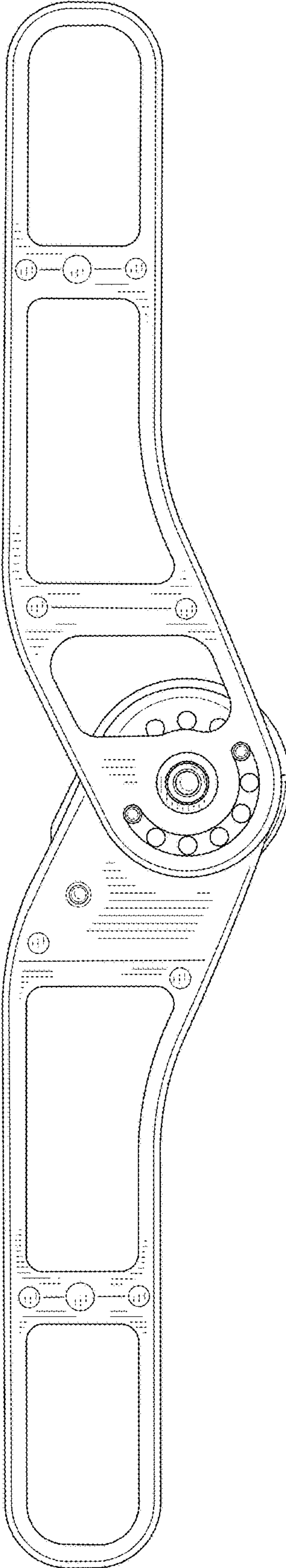


FIG. 20