



US00D819209S

(12) **United States Design Patent** (10) **Patent No.:** **US D819,209 S**
DaCosta et al. (45) **Date of Patent:** **** May 29, 2018**

(54) **CALC-SLIDE BONE PLATE**

(71) Applicant: **Paragon 28, Inc.**, Englewood, CO (US)

(72) Inventors: **Albert DaCosta**, Lone Tree, CO (US);
Eric Lintula, Parker, CO (US); **Spanky Raymond**, Uniontown, OH (US);
Frank Bono, Castle Rock, CO (US)

(73) Assignee: **PARAGON 28, INC.**, Englewood, CO (US)

(**) Term: **15 Years**

(21) Appl. No.: **29/535,566**

(22) Filed: **Aug. 7, 2015**

(51) **LOC (11) Cl.** **24-02**

(52) **U.S. Cl.**
USPC **D24/155**

(58) **Field of Classification Search**
USPC D24/155
CPC A61B 17/8061; A61B 17/7059; A61B 17/8052; A61B 17/8605; A61B 17/8085; A61B 17/809; A61B 17/8014; A61B 17/8033; A61B 17/8004; A61B 17/888;
(Continued)

(56) **References Cited**

U.S. PATENT DOCUMENTS

5,558,674 A 9/1996 Heggeness et al.
7,740,630 B2 * 6/2010 Michelson A61B 17/7058
606/71

(Continued)

OTHER PUBLICATIONS

International Search Report for PCT Application No. PCT/US2016/016786 dated Mar. 25, 2016.

Primary Examiner — Charles D Hanson

(74) *Attorney, Agent, or Firm* — Heslin Rothenberg Farley & Mesiti P.C.

(57) **CLAIM**

The ornamental design for a calc-slide bone plate, as shown and described.

DESCRIPTION

FIG. 1 is a top perspective view of a calc-slide bone plate comprising the new design;

FIG. 2 is a top view of the design of FIG. 1;

FIG. 3 is a bottom view of the design of FIG. 1;

FIG. 4 is a front elevational view of the design of FIG. 1;

FIG. 5 is a back elevational view of the design of FIG. 1;

FIG. 6 is a left elevational view of the design of FIG. 1, where the right side elevational view is a mirror image thereof.

FIG. 7 is a top perspective view of an alternative embodiment of the calc-slide bone plate of FIG. 1;

FIG. 8 is a top view of the design of FIG. 8;

FIG. 9 is a bottom view of the design of FIG. 8;

FIG. 10 is a front elevational view of the design of FIG. 8;

FIG. 11 is a back elevational view of the design of FIG. 8; and

FIG. 12 is a left elevational view of the design of FIG. 8, where the right side elevational view is a mirror image thereof.

FIG. 13 is a top perspective view of another alternative embodiment of the calc-slide bone plate of FIG. 1;

FIG. 14 is a top view of the design of FIG. 13;

FIG. 15 is a bottom view of the design of FIG. 13;

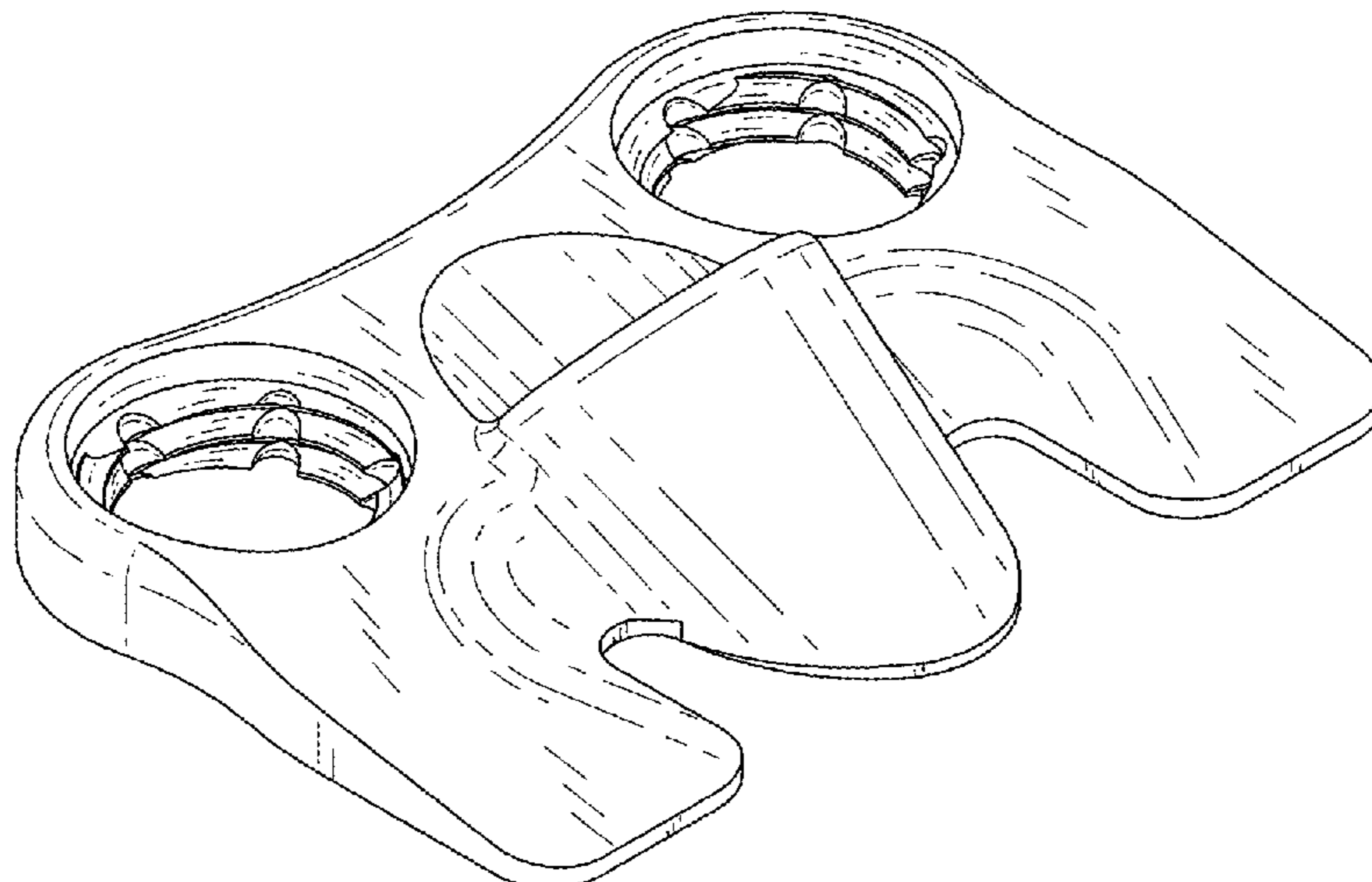
FIG. 16 is a front elevational view of the design of FIG. 13;

FIG. 17 is a back elevational view of the design of FIG. 13; and,

FIG. 18 is a left elevational view of the design of FIG. 13, where the right side elevational view is a mirror image thereof.

The broken lines shown in the figures represent portions of the calc-slide bone plate that form no part of the claimed design.

1 Claim, 9 Drawing Sheets



(58) **Field of Classification Search**

CPC A61B 17/842; A61B 17/8023; A61B
 17/8009; A61B 17/86; A61B 17/1739;
 A61B 17/8066; A61B 17/1671; A61B
 17/1757; A61B 17/8071; A61B 17/176;
 A61B 2017/1782; A61B 2017/1775

See application file for complete search history.

8,556,946 B2* 10/2013 Prandi A61B 17/809
 606/286
 8,685,069 B2* 4/2014 Courtney A61B 17/7059
 606/283
 8,986,353 B2 3/2015 Johnson et al.
 9,005,255 B2 4/2015 Lewis et al.
 9,168,075 B2* 10/2015 Dell'Oca A61B 17/8057
 9,795,424 B2* 10/2017 Austin A61B 17/8033
 9,814,505 B2* 11/2017 Leemrijse A61B 17/809

(56) **References Cited**

U.S. PATENT DOCUMENTS

8,182,484 B2* 5/2012 Grant A61B 17/746
 606/62
 8,273,111 B2* 9/2012 Amato A61B 17/80
 606/280
 8,366,751 B2 2/2013 Pfefferle et al.
 8,470,003 B2* 6/2013 Voellmicke A61B 17/7071
 606/246

2005/0165400 A1 7/2005 Fernandez
 2006/0142767 A1 6/2006 Green et al.
 2008/0114361 A1 5/2008 Butler et al.
 2008/0234749 A1 9/2008 Forstein
 2010/0312285 A1 12/2010 White et al.
 2011/0009866 A1 1/2011 Johnson et al.
 2011/0295324 A1* 12/2011 Donley A61B 17/8014
 606/289
 2014/0066995 A1 3/2014 McCormick

* cited by examiner

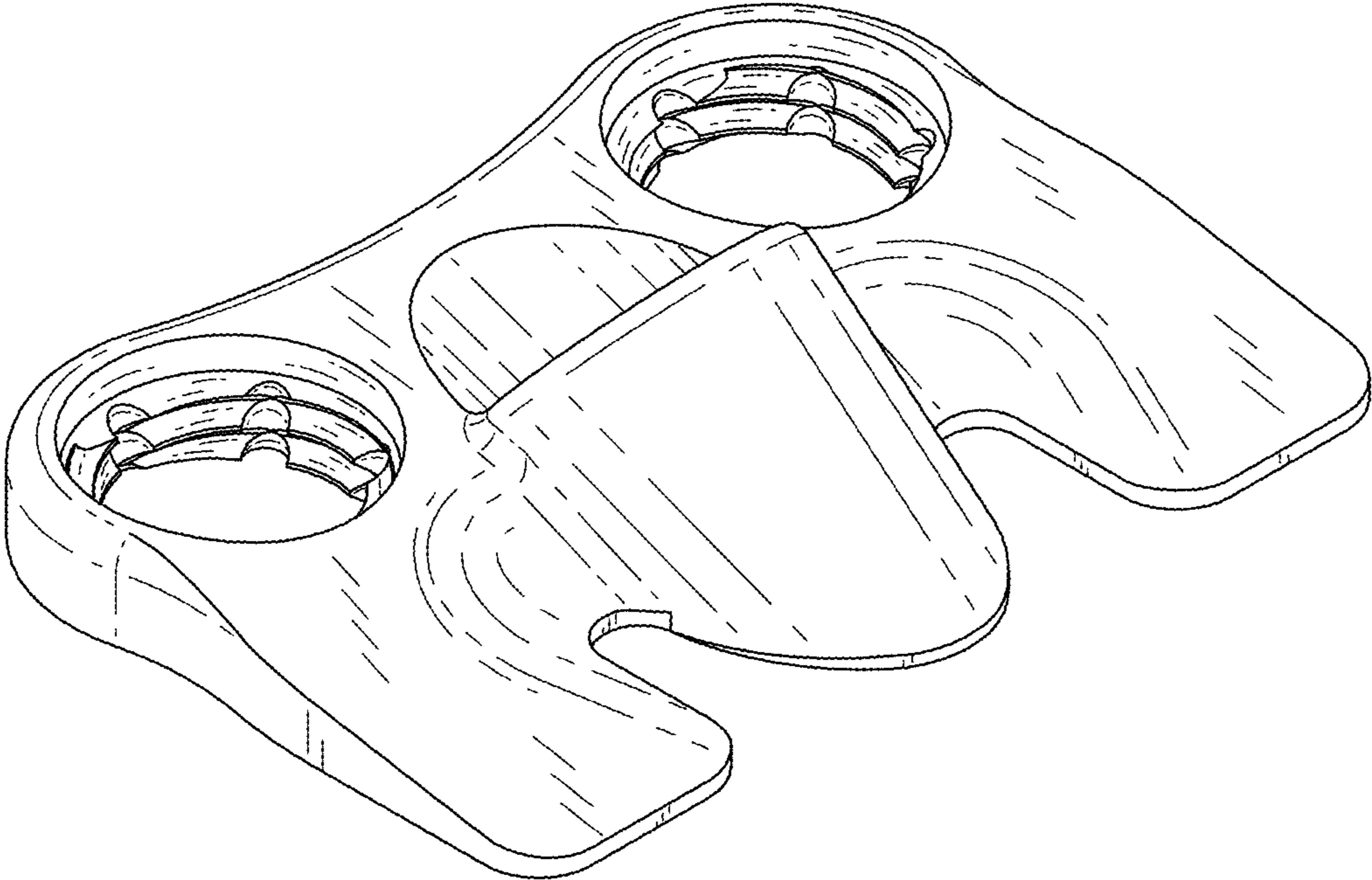


FIG. 1

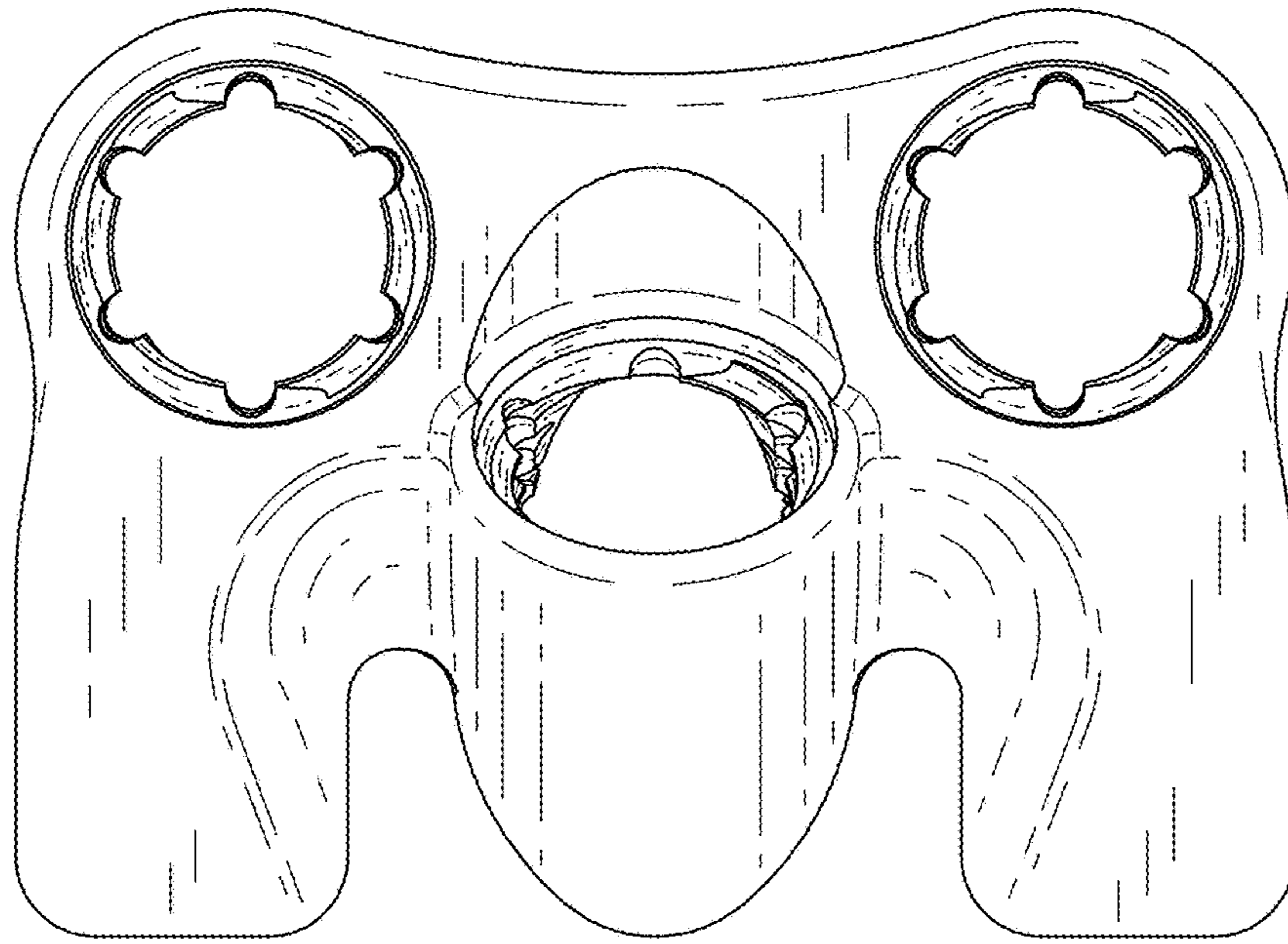


FIG. 2

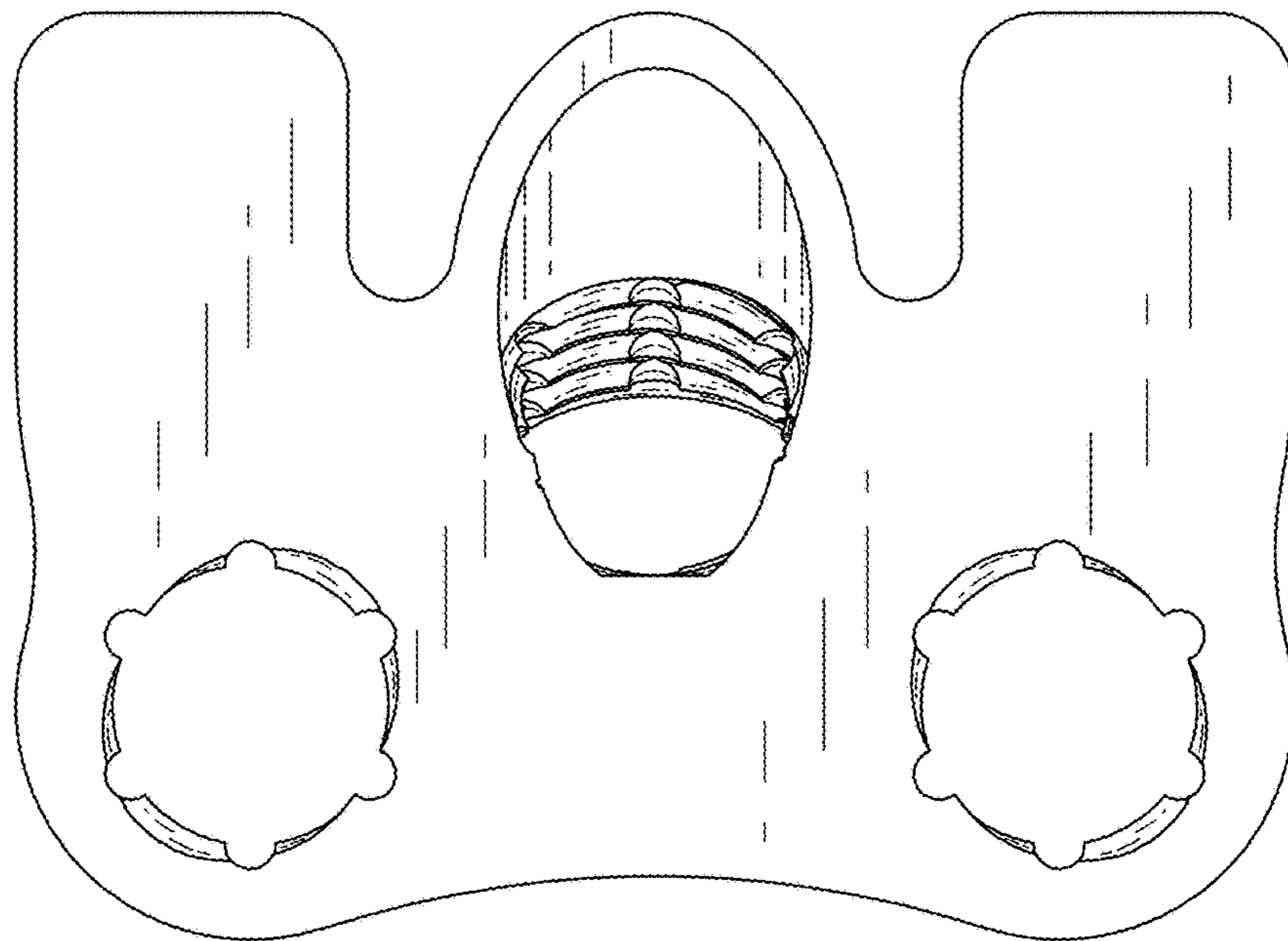


FIG. 3

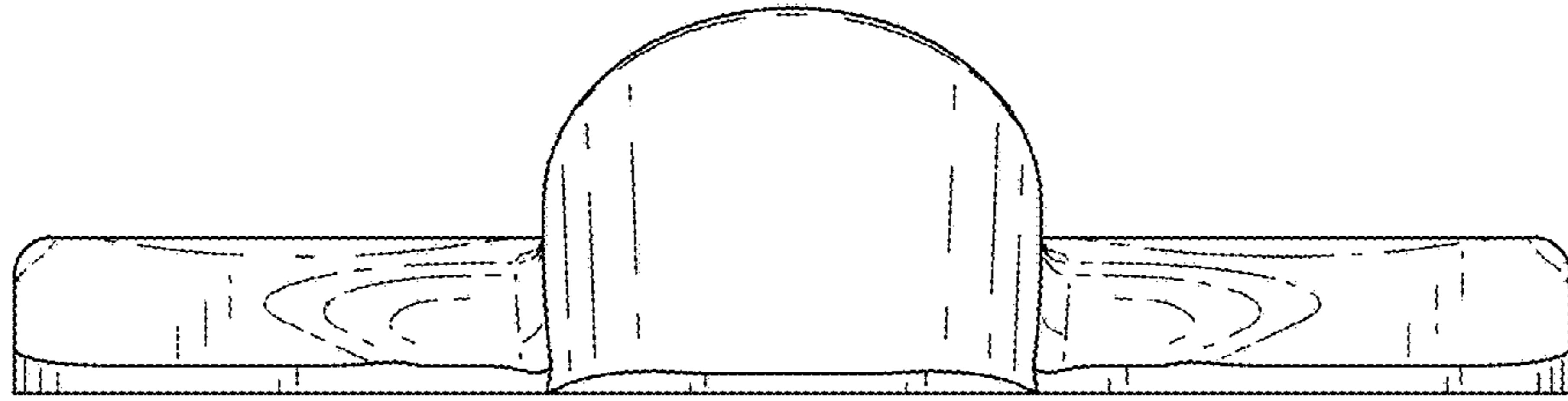


FIG. 4

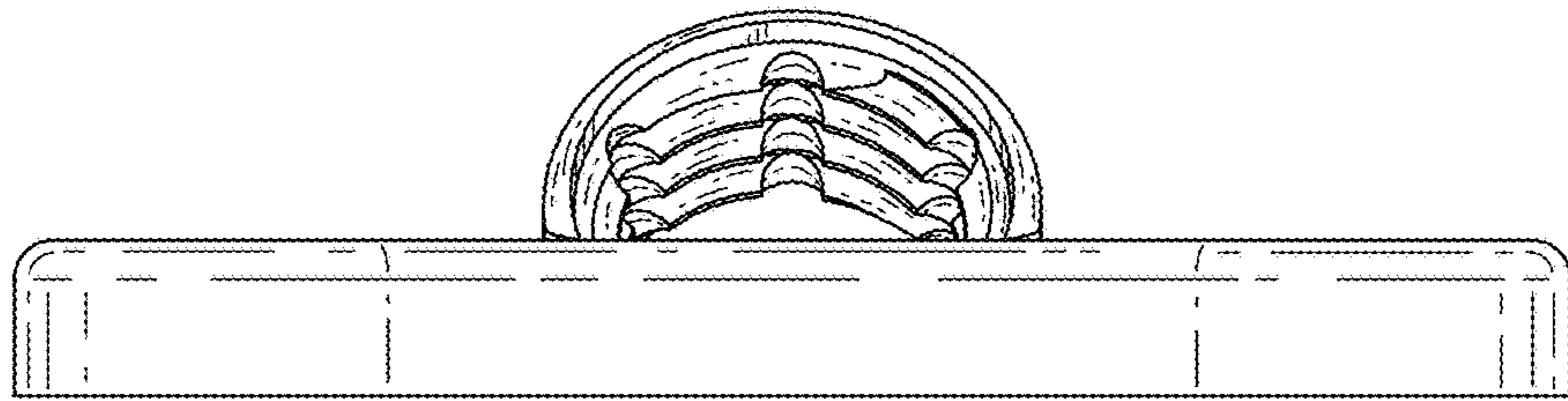


FIG. 5

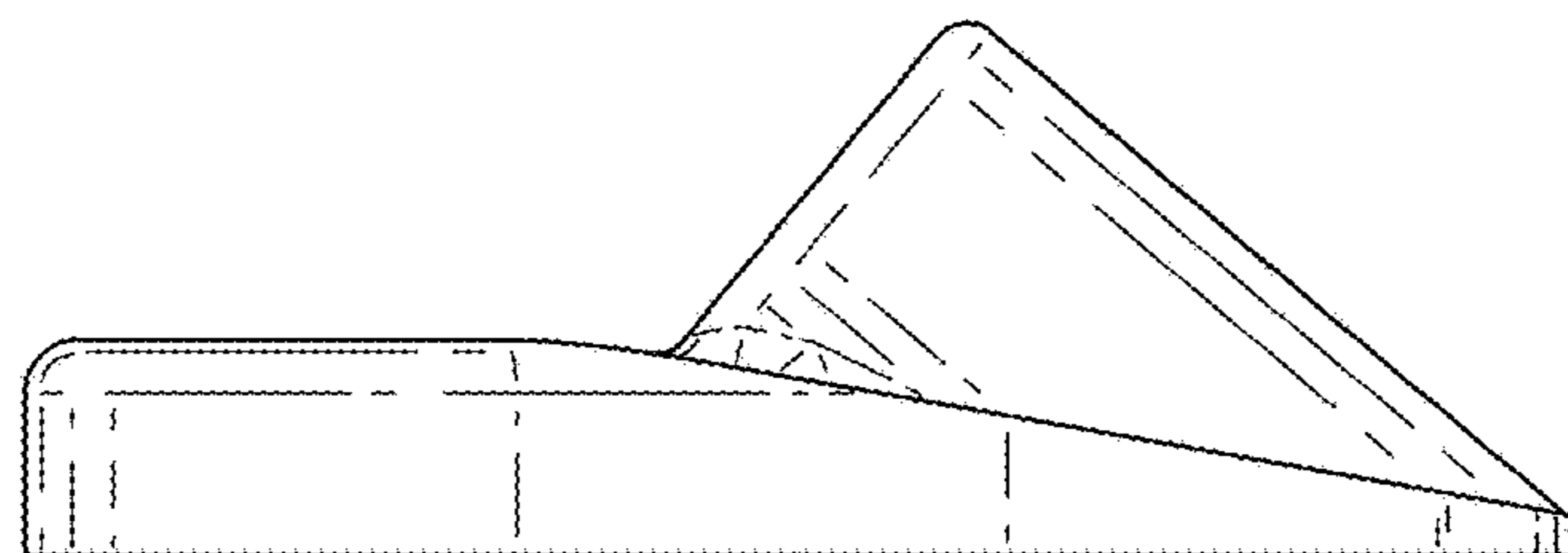


FIG. 6

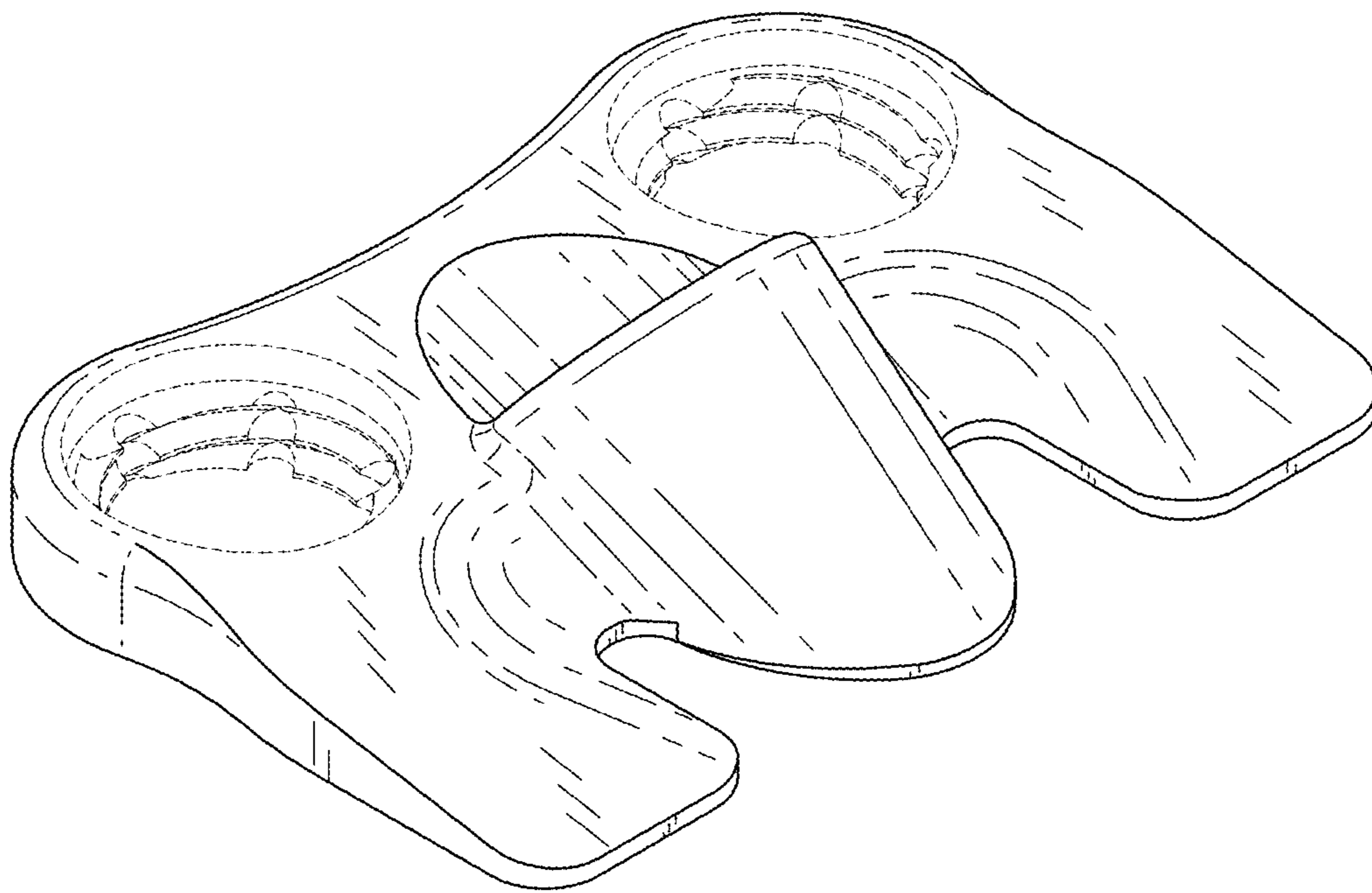


FIG. 7

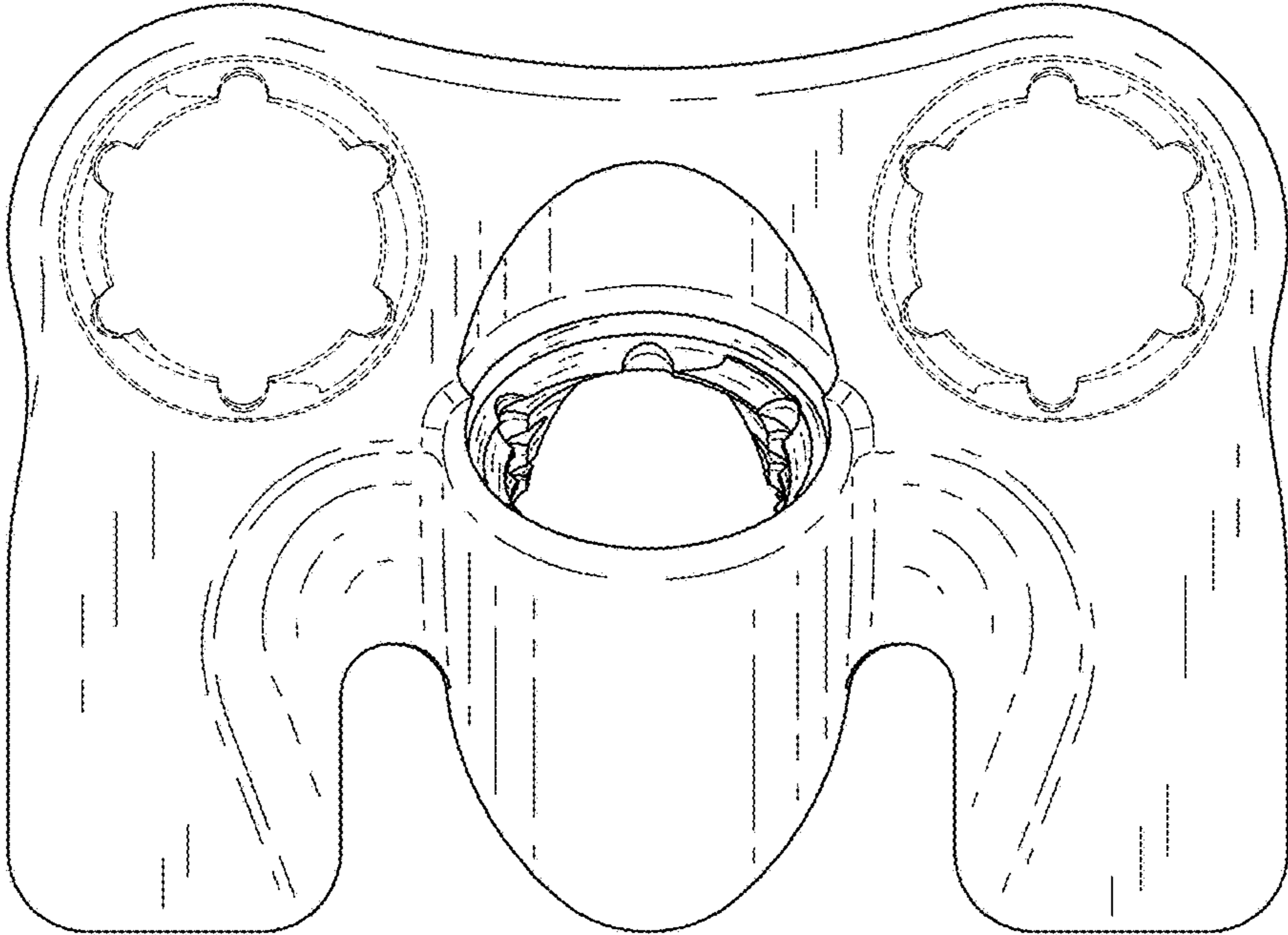


FIG. 8

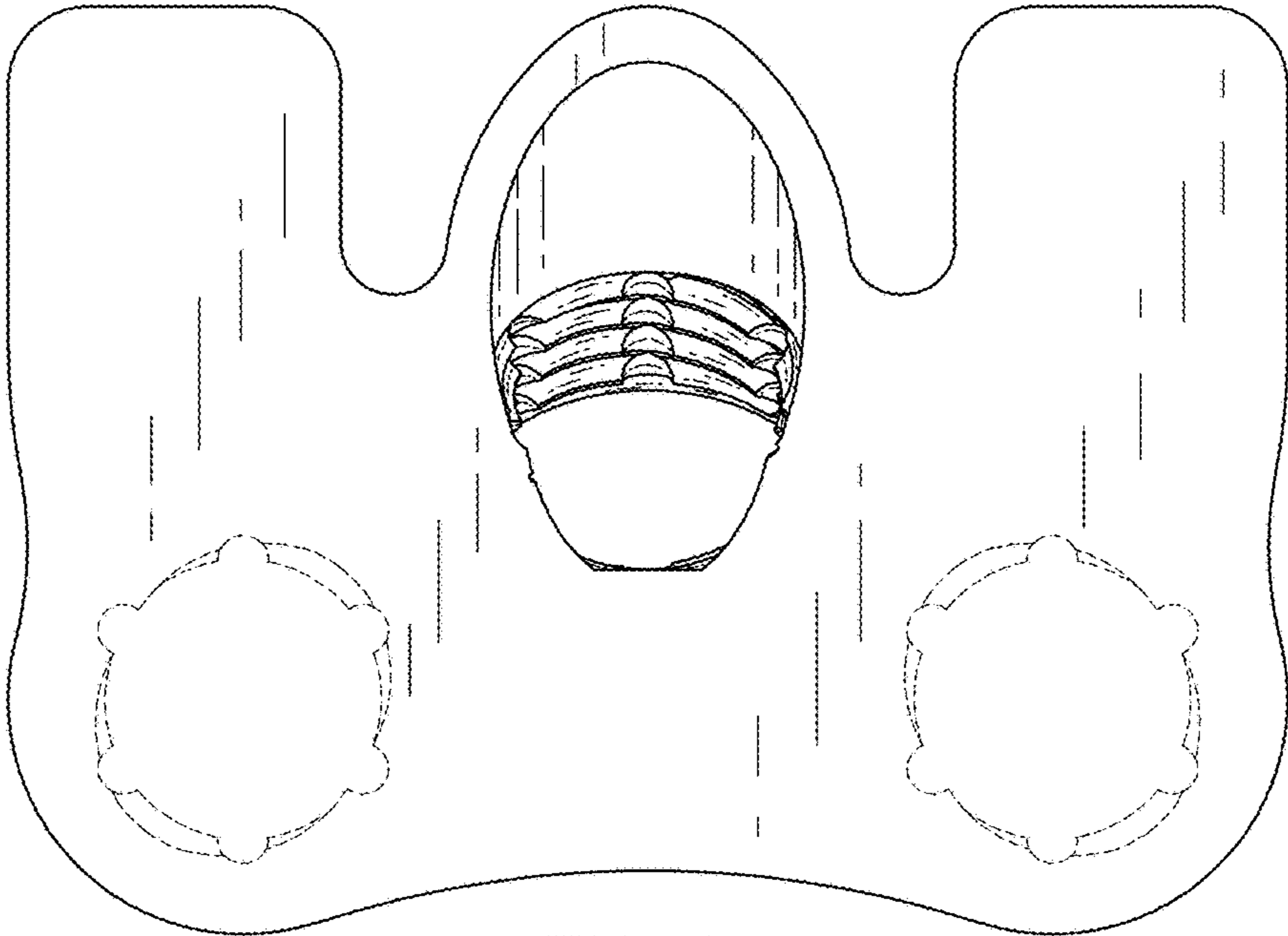


FIG. 9

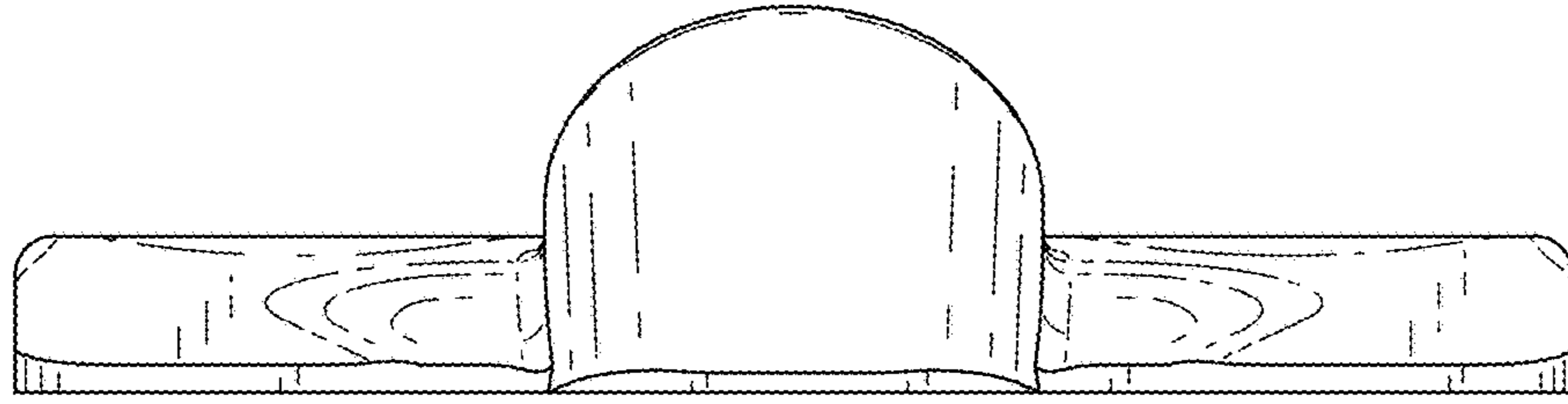


FIG. 10

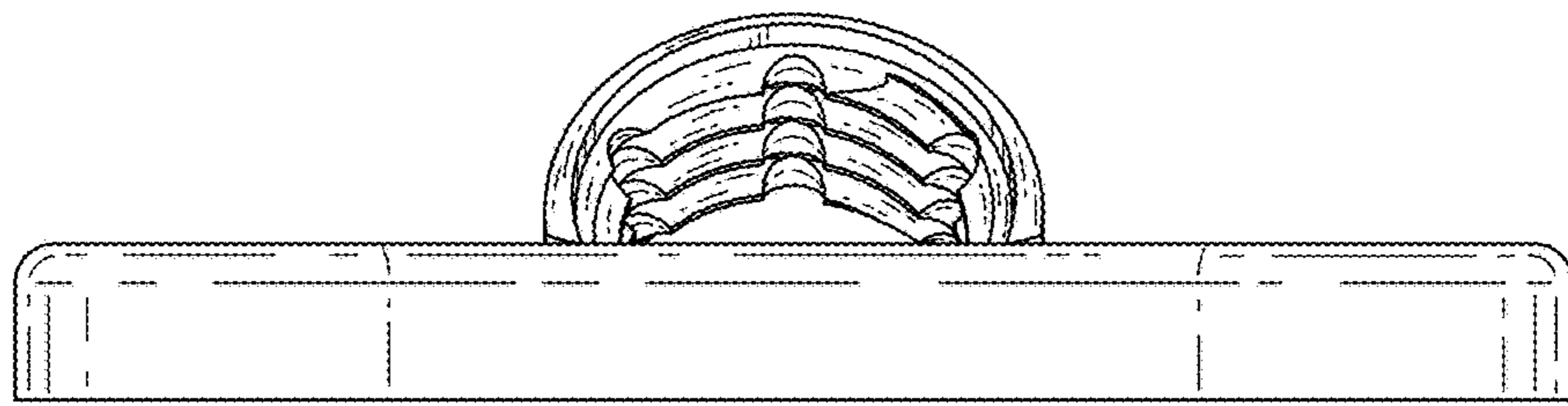


FIG. 11

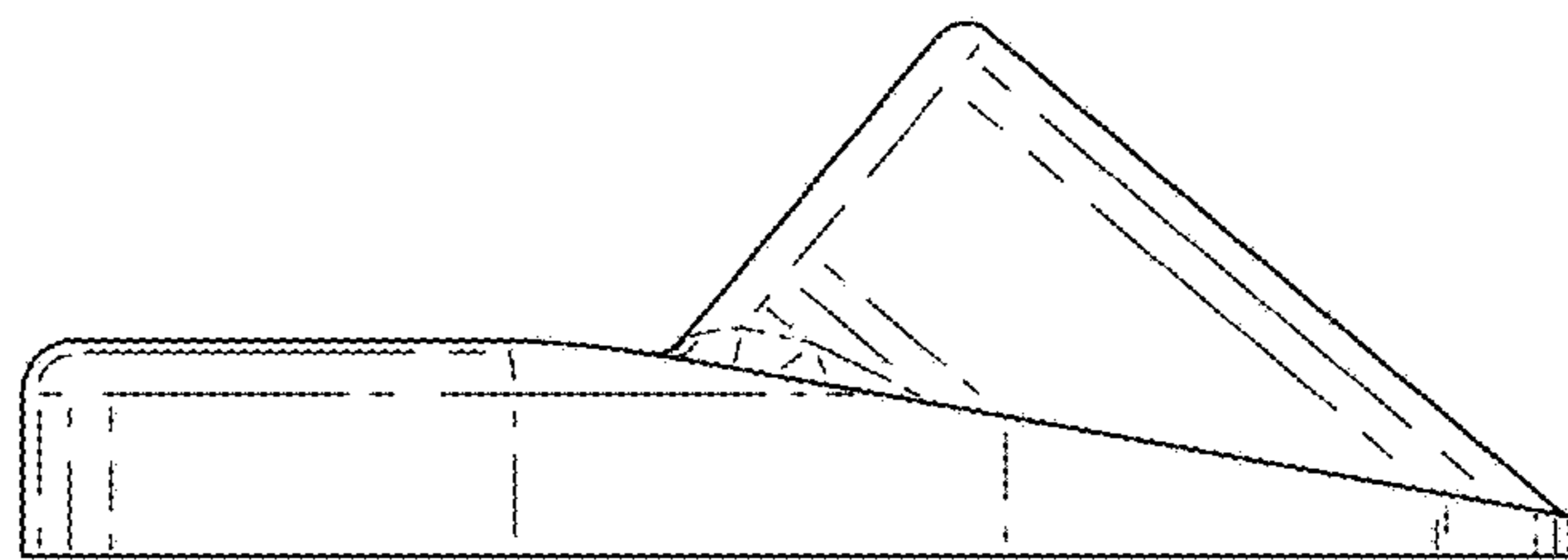


FIG. 12

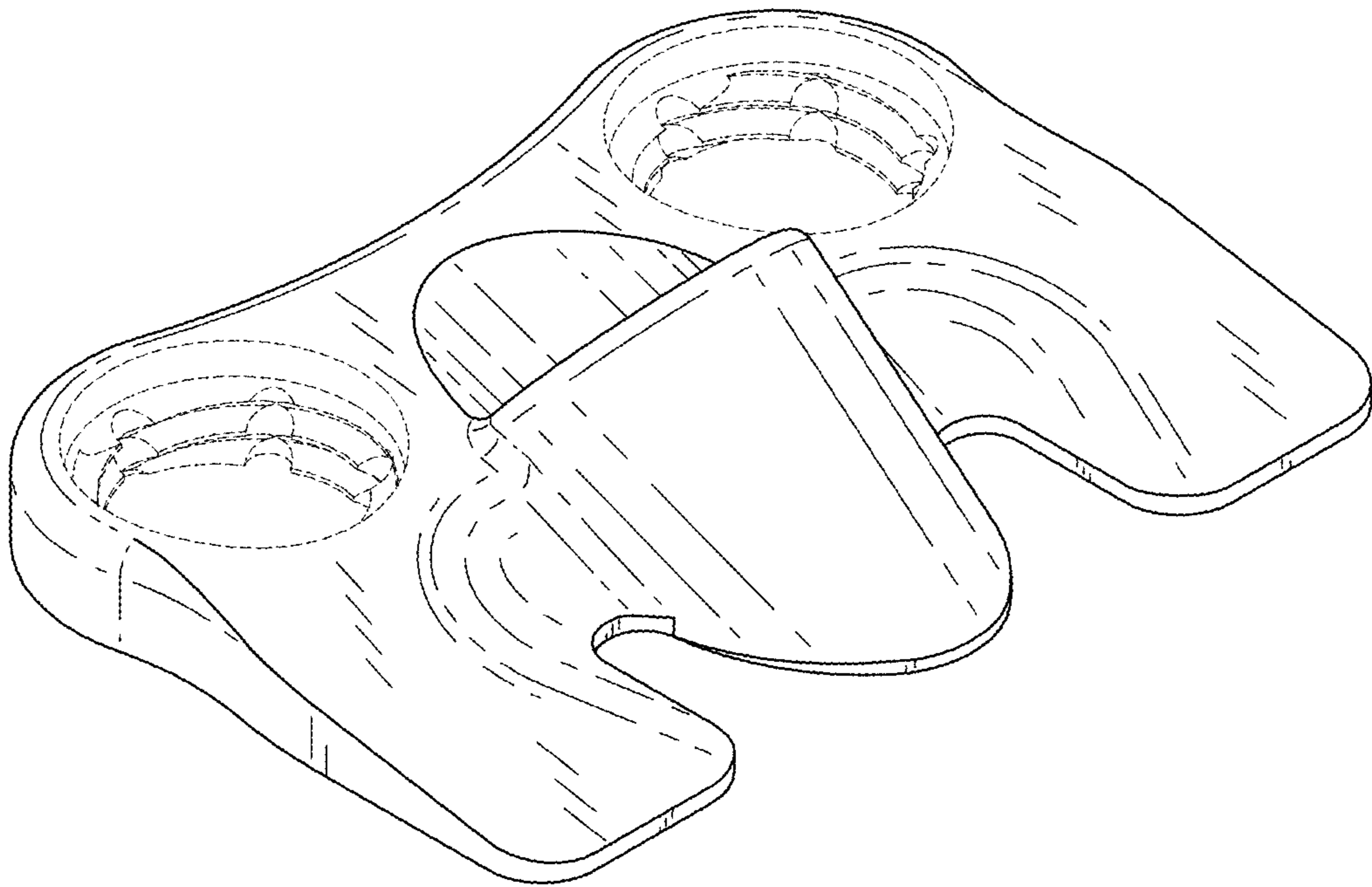


FIG. 13

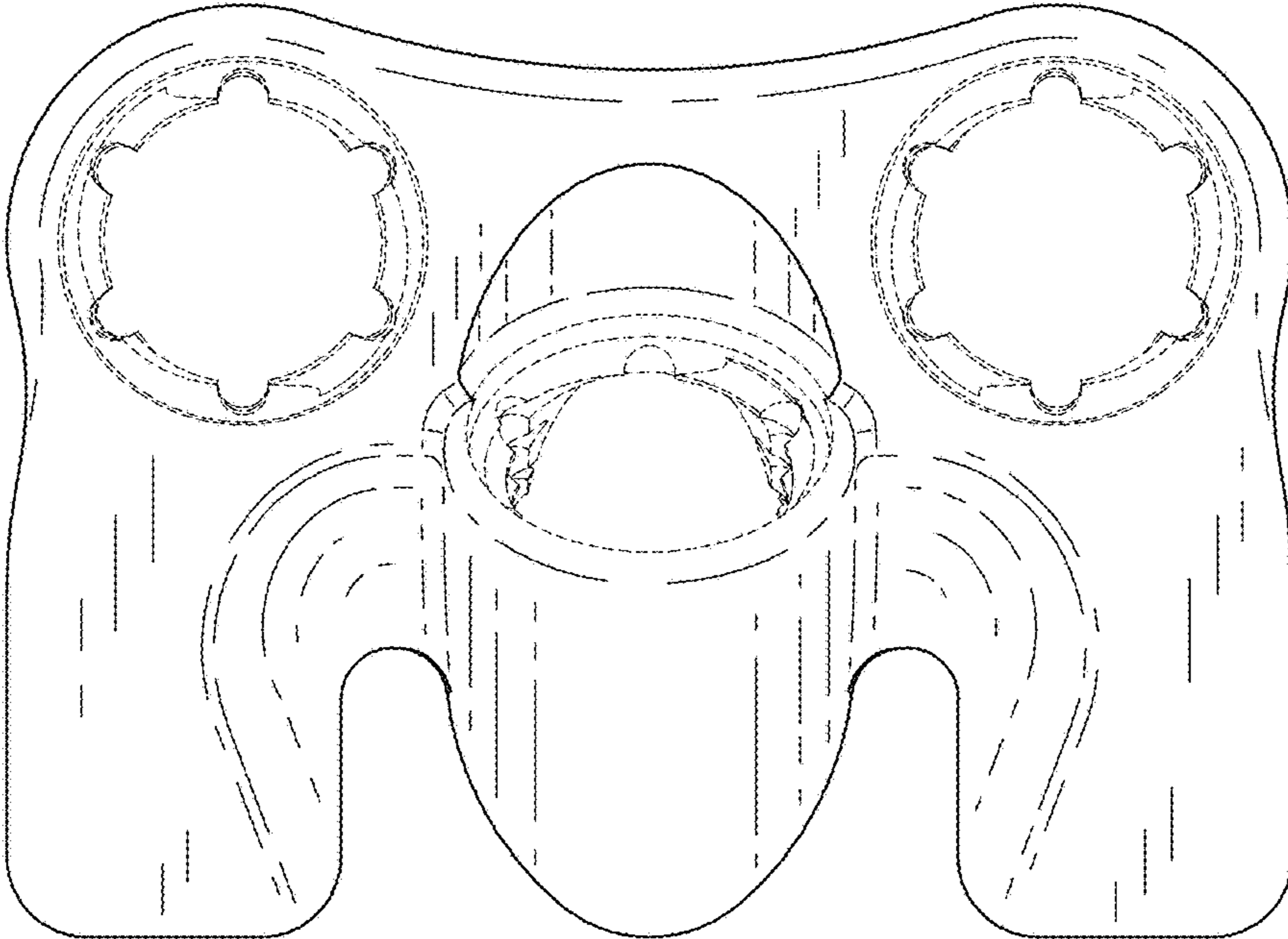


FIG. 14

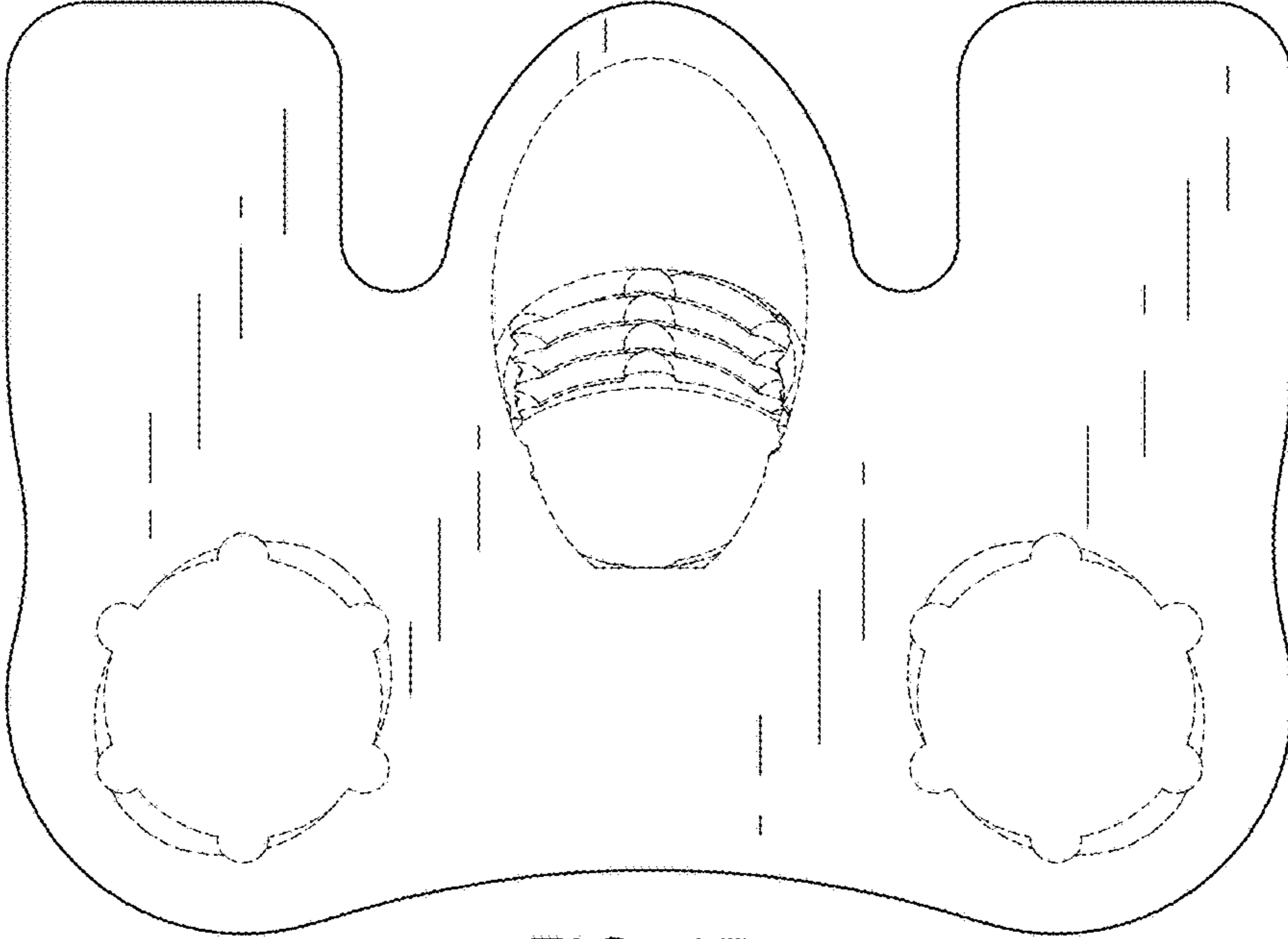


FIG. 15

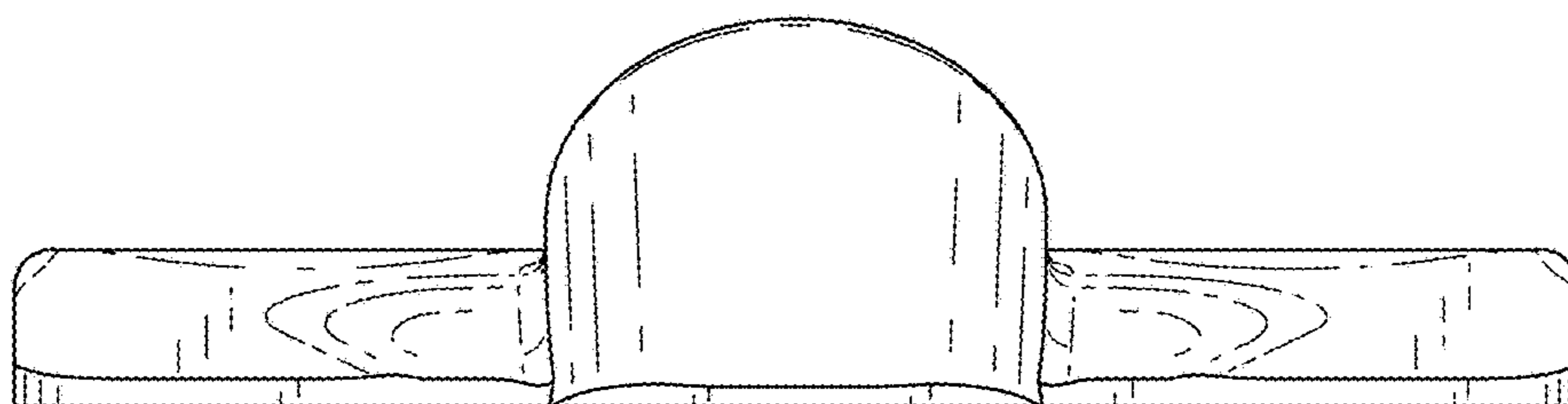


FIG. 16

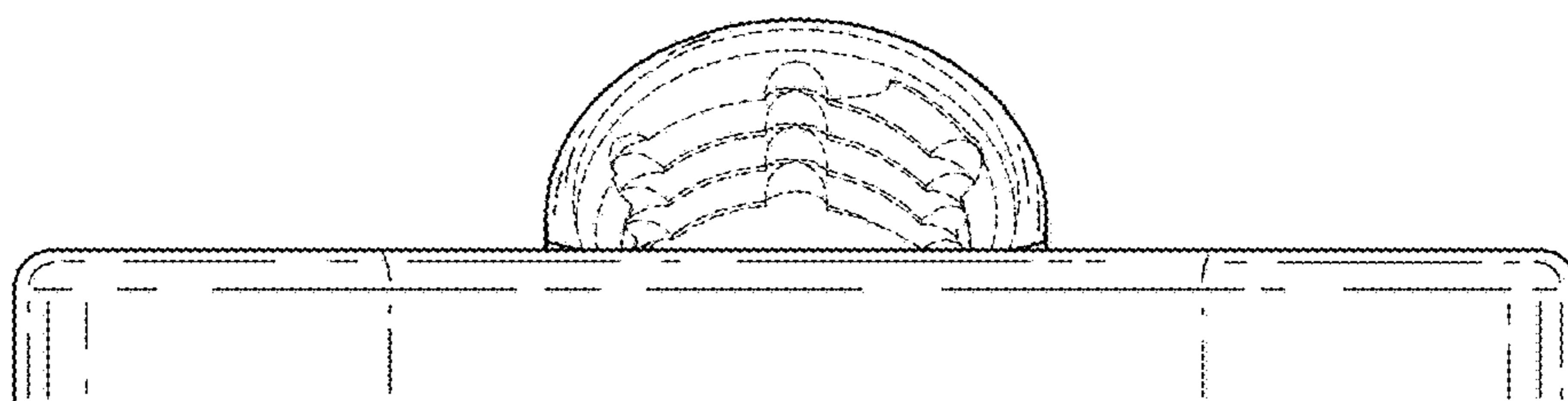


FIG. 17

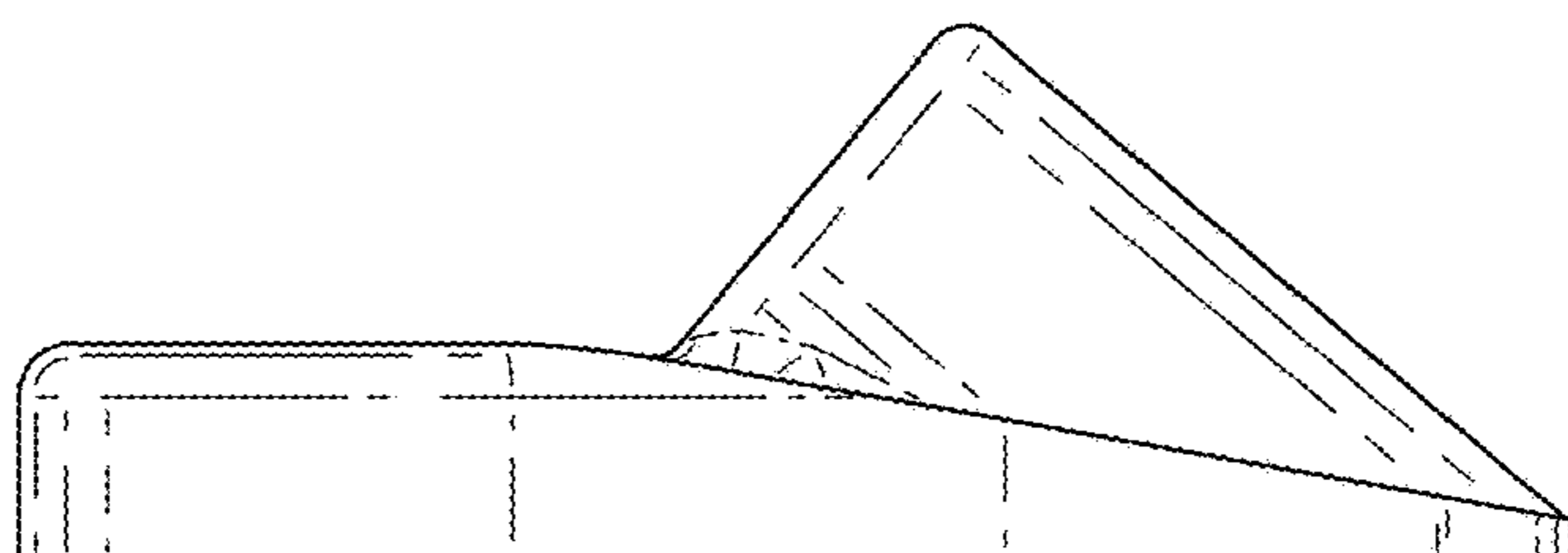


FIG. 18