



US00D819203S

(12) **United States Design Patent** (10) **Patent No.:** **US D819,203 S**  
**Grunhut et al.** (45) **Date of Patent:** **\*\* May 29, 2018**

(54) **SYRINGE PLUNGER**  
(71) Applicant: **Becton Dickinson France**, Le Pont de Claix (FR)  
(72) Inventors: **Guillaume Grunhut**, Grenoble (FR); **Lionel Maritan**, Pierre-Chatel (FR)  
(73) Assignee: **Becton Dickinson France**, Le Pont de Claix (FR)

D638,122 S \* 5/2011 Kosinski ..... A61M 5/31511  
D24/130  
8,092,424 B2 \* 1/2012 Mueller ..... A61M 5/321  
604/110  
D713,525 S \* 9/2014 Oguro ..... D24/130  
9,265,604 B2 \* 2/2016 Woods ..... A61F 2/1672  
D794,187 S \* 8/2017 Dolk ..... D24/130  
D796,670 S \* 9/2017 Dolk ..... D24/130  
2004/0064105 A1 \* 4/2004 Capes ..... A61M 5/348  
604/218  
2013/0018325 A1 1/2013 Schiller et al.  
2016/0325047 A1 \* 11/2016 Vedrine ..... A61M 5/24

(\*\*) Term: **15 Years**

**FOREIGN PATENT DOCUMENTS**

(21) Appl. No.: **29/583,092**

WO 2013/009387 A1 1/2013

(22) Filed: **Nov. 2, 2016**

\* cited by examiner

(51) **LOC (11) Cl.** ..... **24-02**

*Primary Examiner* — David Muller

(52) **U.S. Cl.**

(74) *Attorney, Agent, or Firm* — The Webb Law Firm

USPC ..... **D24/130**

(58) **Field of Classification Search**

(57) **CLAIM**

USPC ..... D24/112–114, 108, 133, 130, 127, 186;  
606/181, 185; 604/264, 272, 187, 181,  
604/184, 227

The ornamental design for a syringe plunger, as shown and described.

CPC ..... A61M 5/178; A61M 3/00; A61M 5/20;  
A61M 5/31; A61M 5/3146; A61M  
5/3129; A61M 5/3148; A61M 5/315

**DESCRIPTION**

See application file for complete search history.

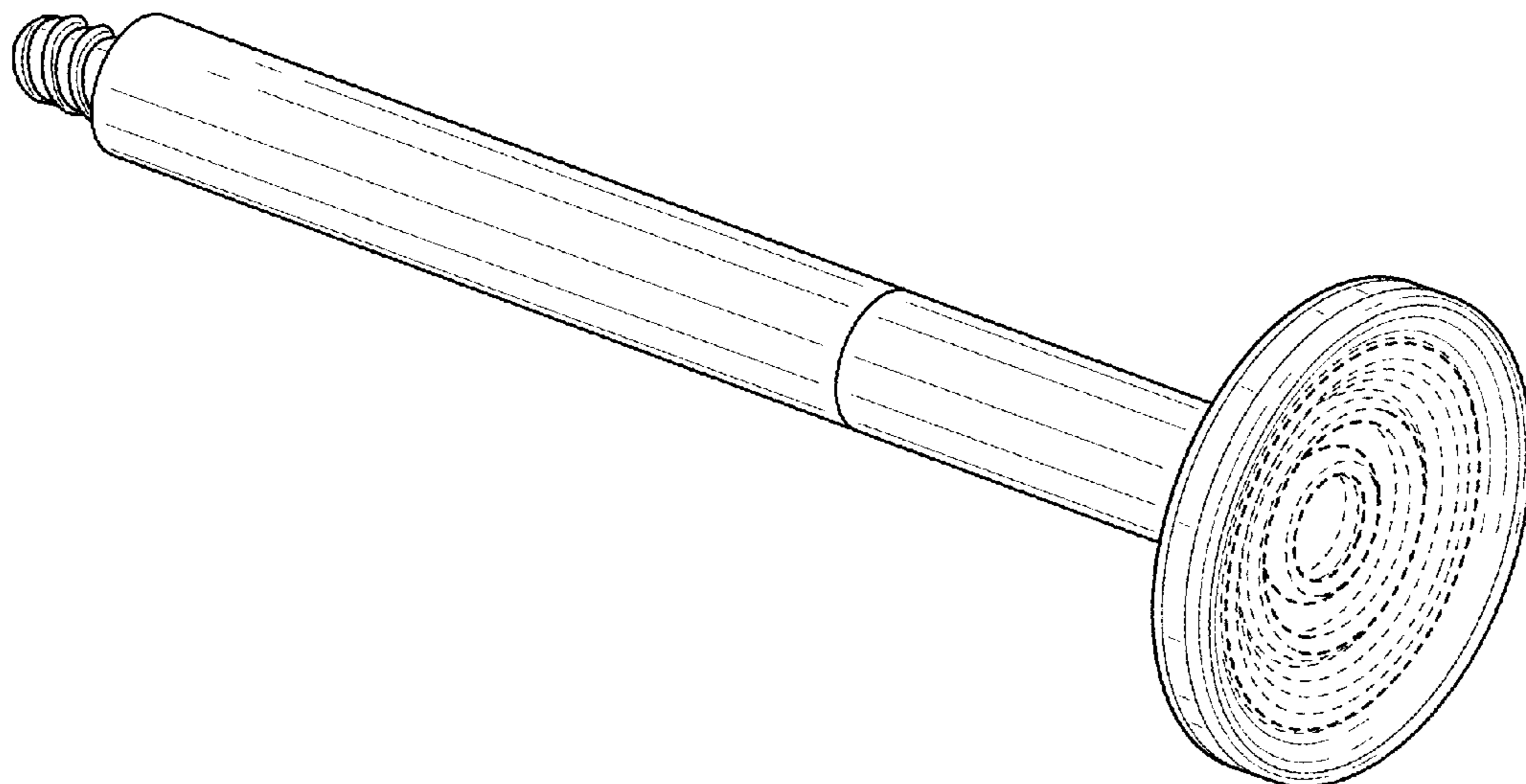
FIG. 1 is a top perspective view of a syringe plunger in accordance with the present invention.  
FIG. 2 is a front elevation view thereof;  
FIG. 3 is a rear elevation view thereof;  
FIG. 4 is a top plan view thereof;  
FIG. 5 is a bottom plan view thereof;  
FIG. 6 is a right-side elevation view thereof; and,  
FIG. 7 is a left-side elevation view thereof.  
Portions of the syringe plunger shown in dashed lines in FIG. 1 and FIG. 4 depict unclaimed portions of the syringe plunger that are included for environmental purposes only.

(56) **References Cited**

**U.S. PATENT DOCUMENTS**

D322,317 S \* 12/1991 Fischer ..... D24/114  
D436,661 S \* 1/2001 Berry ..... D24/114  
6,425,885 B1 \* 7/2002 Fischer ..... A61M 5/31511  
604/187  
6,530,906 B2 \* 3/2003 Hu ..... A61M 5/322  
128/919  
D618,347 S \* 6/2010 Bradshaw ..... D24/108

**1 Claim, 7 Drawing Sheets**



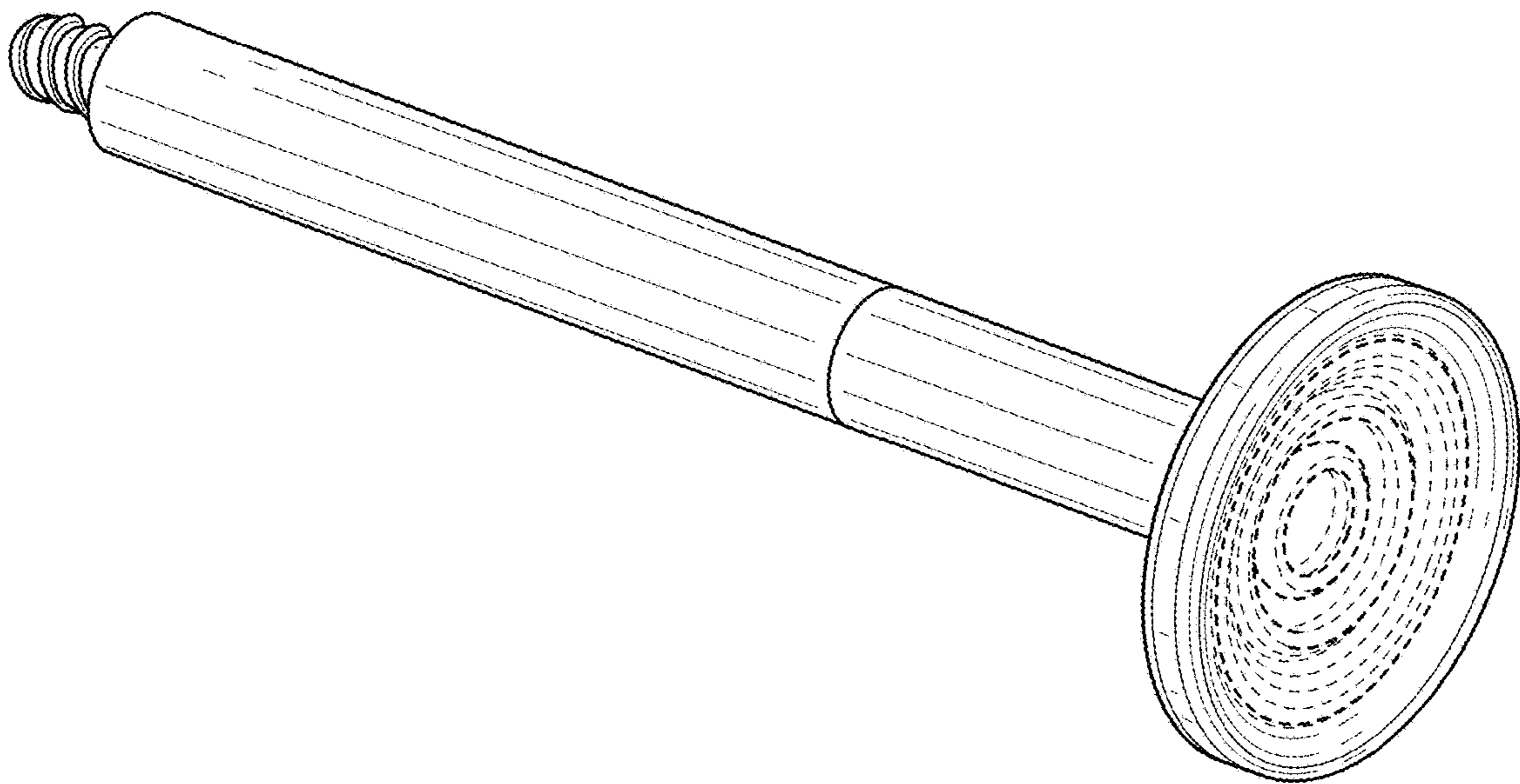


FIG. 1

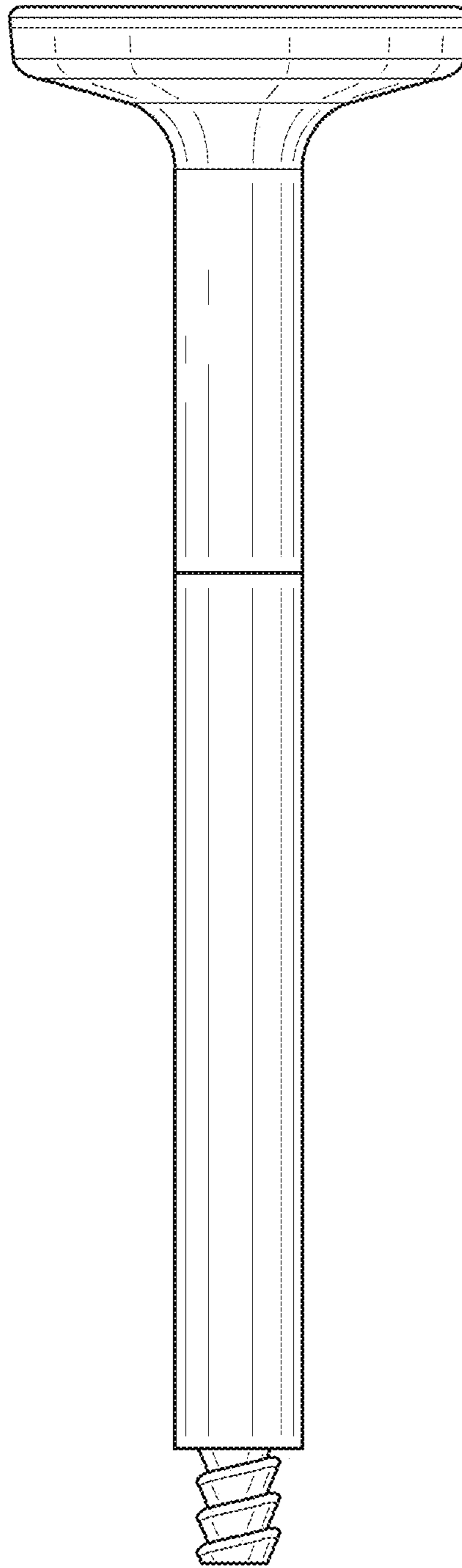


FIG. 2

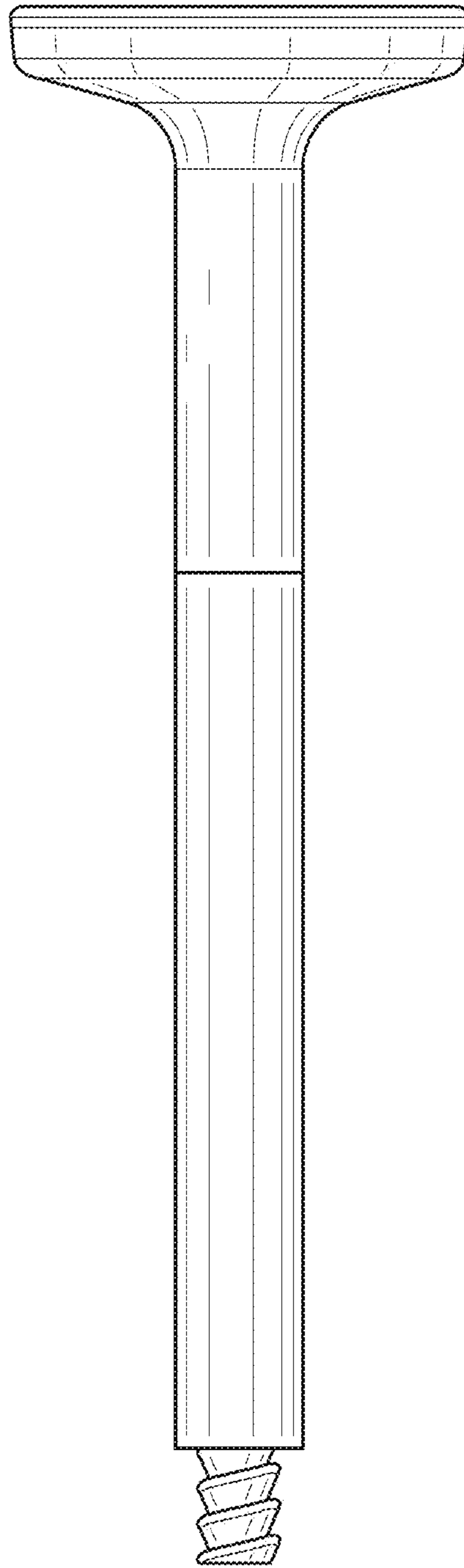


FIG. 3

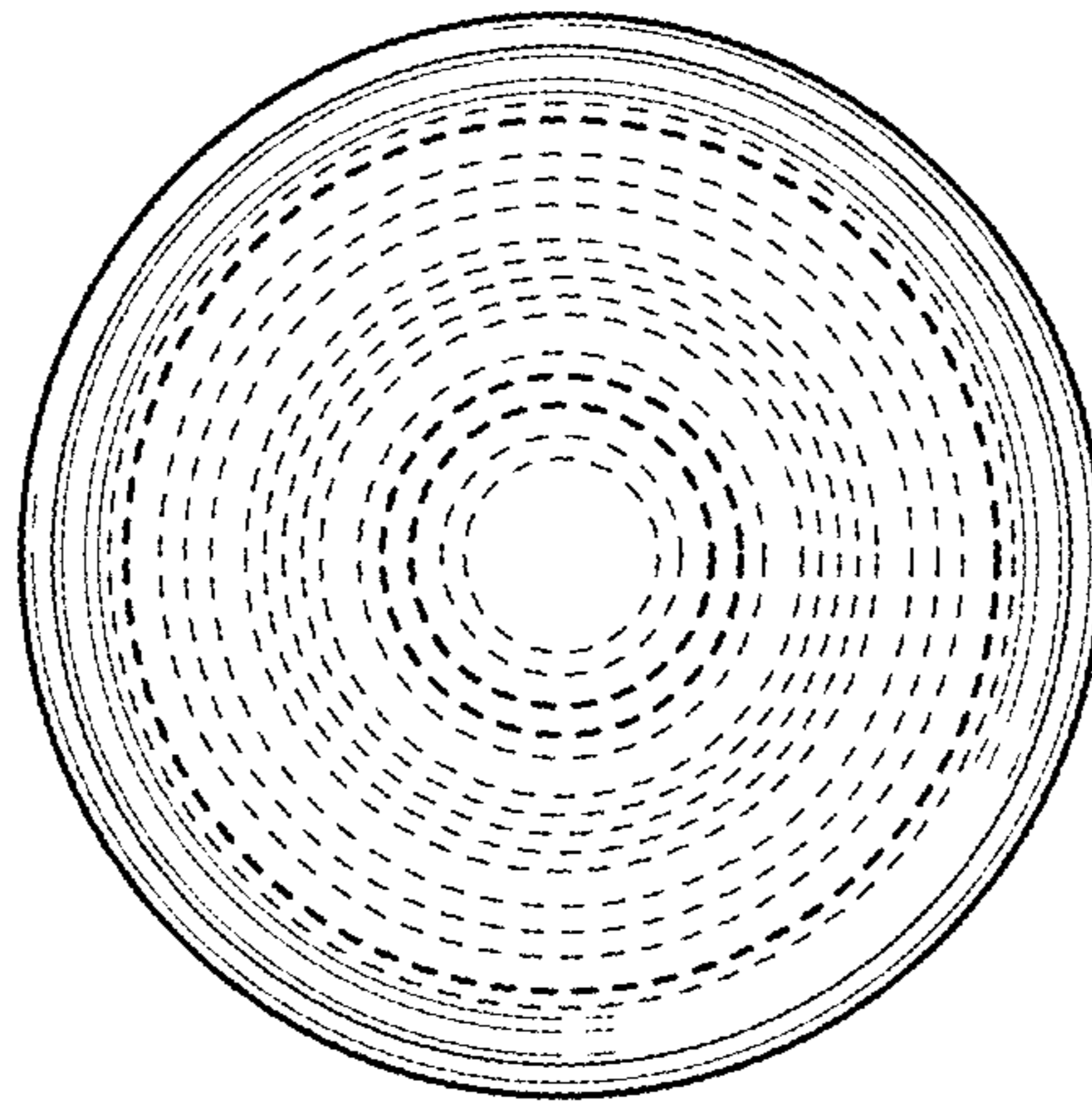


FIG. 4

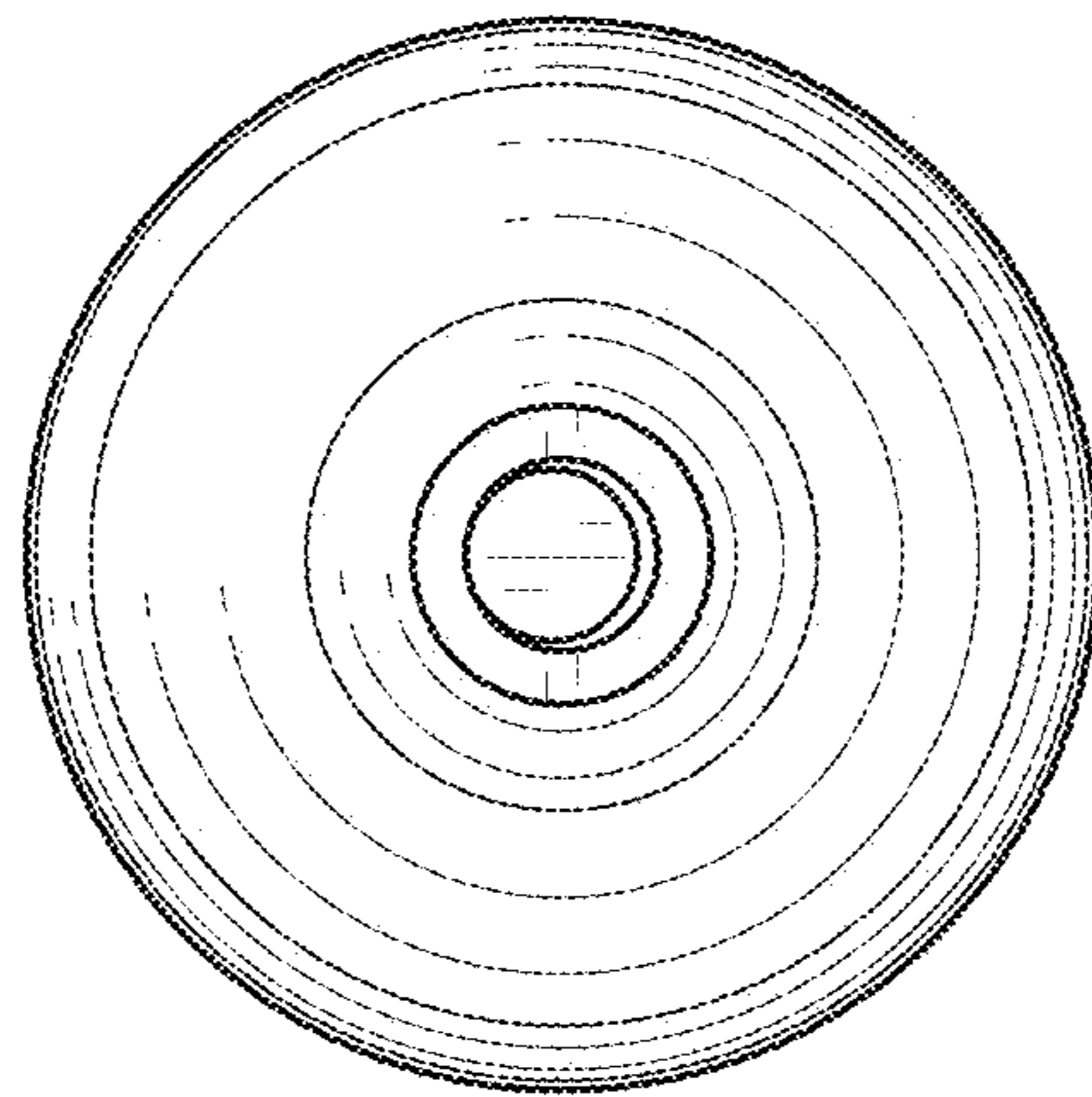


FIG. 5

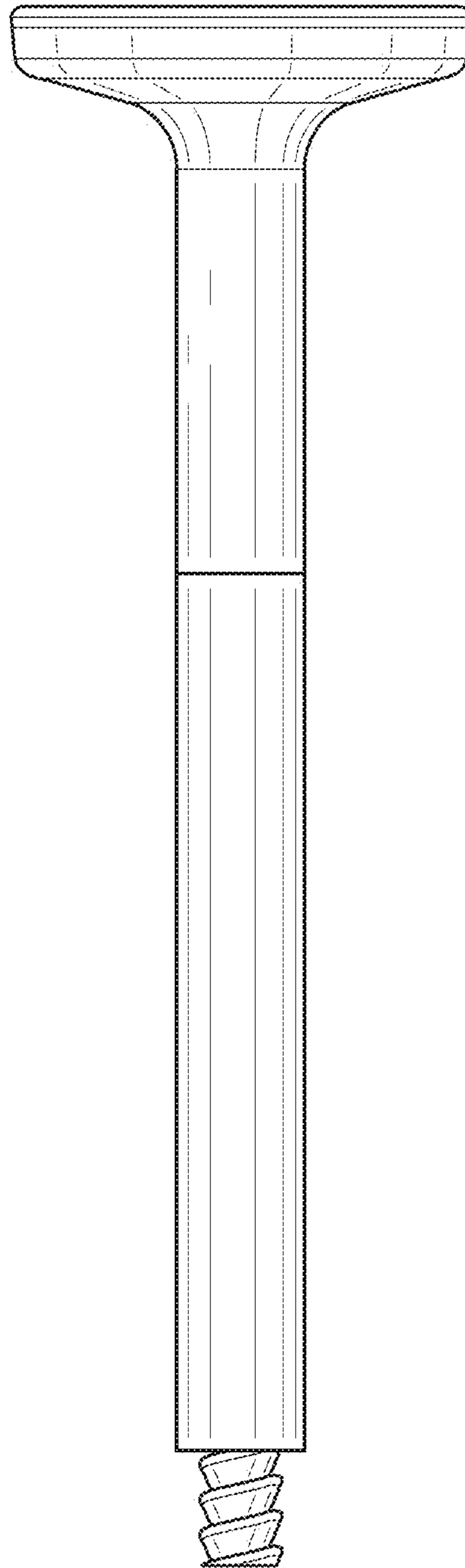


FIG. 6

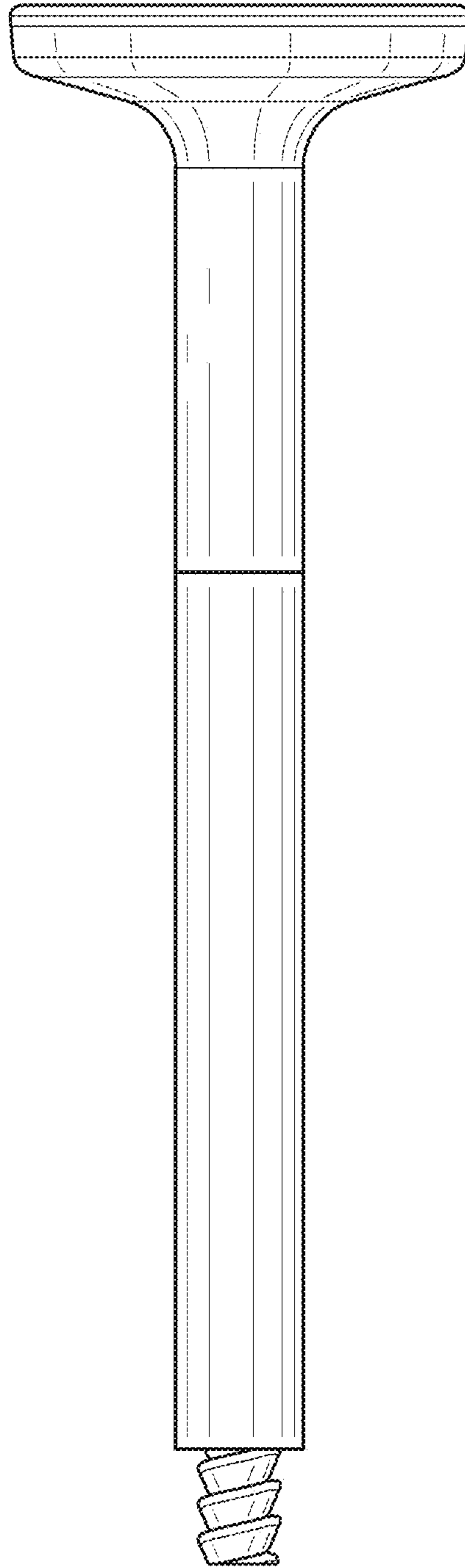


FIG. 7



UNITED STATES PATENT AND TRADEMARK OFFICE  
**CERTIFICATE OF CORRECTION**

PATENT NO. : D819,203 S  
APPLICATION NO. : 29/583092  
DATED : May 29, 2018  
INVENTOR(S) : Guillaume Grunhut et al.

Page 1 of 1

It is certified that error appears in the above-identified patent and that said Letters Patent is hereby corrected as shown below:

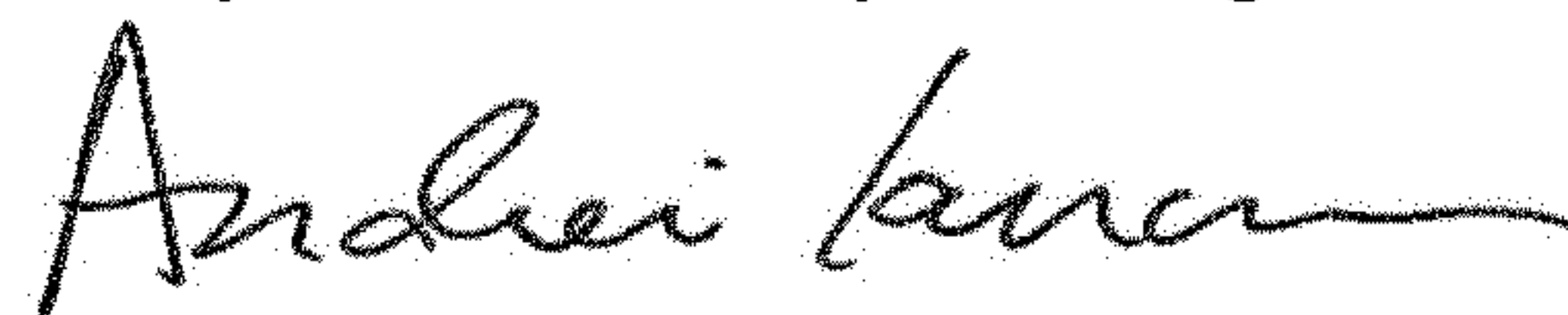
On the Title Page

Column 1, after Item (22), insert:

-- (30) Foreign Application Priority Data

May 4, 2016 (EU) ..... 003109735-0002 --

Signed and Sealed this  
Twenty-seventh Day of August, 2019



Andrei Iancu  
*Director of the United States Patent and Trademark Office*