



US00D819202S

(12) **United States Design Patent** (10) **Patent No.:** **US D819,202 S**  
**Svantesson et al.** (45) **Date of Patent:** **\*\* May 29, 2018**

(54) **HEAT AND MOISTURE EXCHANGER BASE PLATE**

(71) Applicant: **Atos Medical AB**, Horby (SE)

(72) Inventors: **Lars Svantesson**, Horby (SE); **Richard Falkenberg**, Horby (SE)

(73) Assignee: **Atos Medical AB** (SE)

(\*\*) Term: **15 Years**

(21) Appl. No.: **29/573,358**

(22) Filed: **Aug. 4, 2016**

(30) **Foreign Application Priority Data**

Feb. 4, 2016 (EM) ..... 002972281-0001  
Feb. 4, 2016 (EM) ..... 002972281-0005  
Feb. 4, 2016 (EM) ..... 002972281-0006

(51) **LOC (11) Cl.** ..... **24-04**

(52) **U.S. Cl.**  
USPC ..... **D24/128**

(58) **Field of Classification Search**  
USPC ..... D24/108, 111, 118, 127, 128; D9/696, D9/707, 709  
CPC ..... A61M 16/066; A61M 16/0465; A61M 16/1045; A61M 1/0001; A61M 3/0262; A61F 2/203; A61F 5/44; A61F 5/441; A61F 5/445; A61F 5/448; A61J 1/10; B65D 33/14; B65D 33/007; B65D 81/3266  
See application file for complete search history.

(56) **References Cited**

**U.S. PATENT DOCUMENTS**

D398,990 S \* 9/1998 Briggs ..... D24/118  
D516,212 S \* 2/2006 Persson ..... D24/128  
D533,660 S \* 12/2006 Persson ..... D24/128  
8,628,507 B1 \* 1/2014 Carroll ..... A61F 13/141  
604/346  
D786,425 S \* 5/2017 Fahl ..... D24/118

(Continued)

**OTHER PUBLICATIONS**

Provox Luna Base Plate found online [Jun. 17, 2017]—<http://www.atosmedical.us/product/provox-luna/>.\*

*Primary Examiner* — Robert M. Spear

*Assistant Examiner* — John A Voytek

(74) *Attorney, Agent, or Firm* — Fishman Stewart PLLC

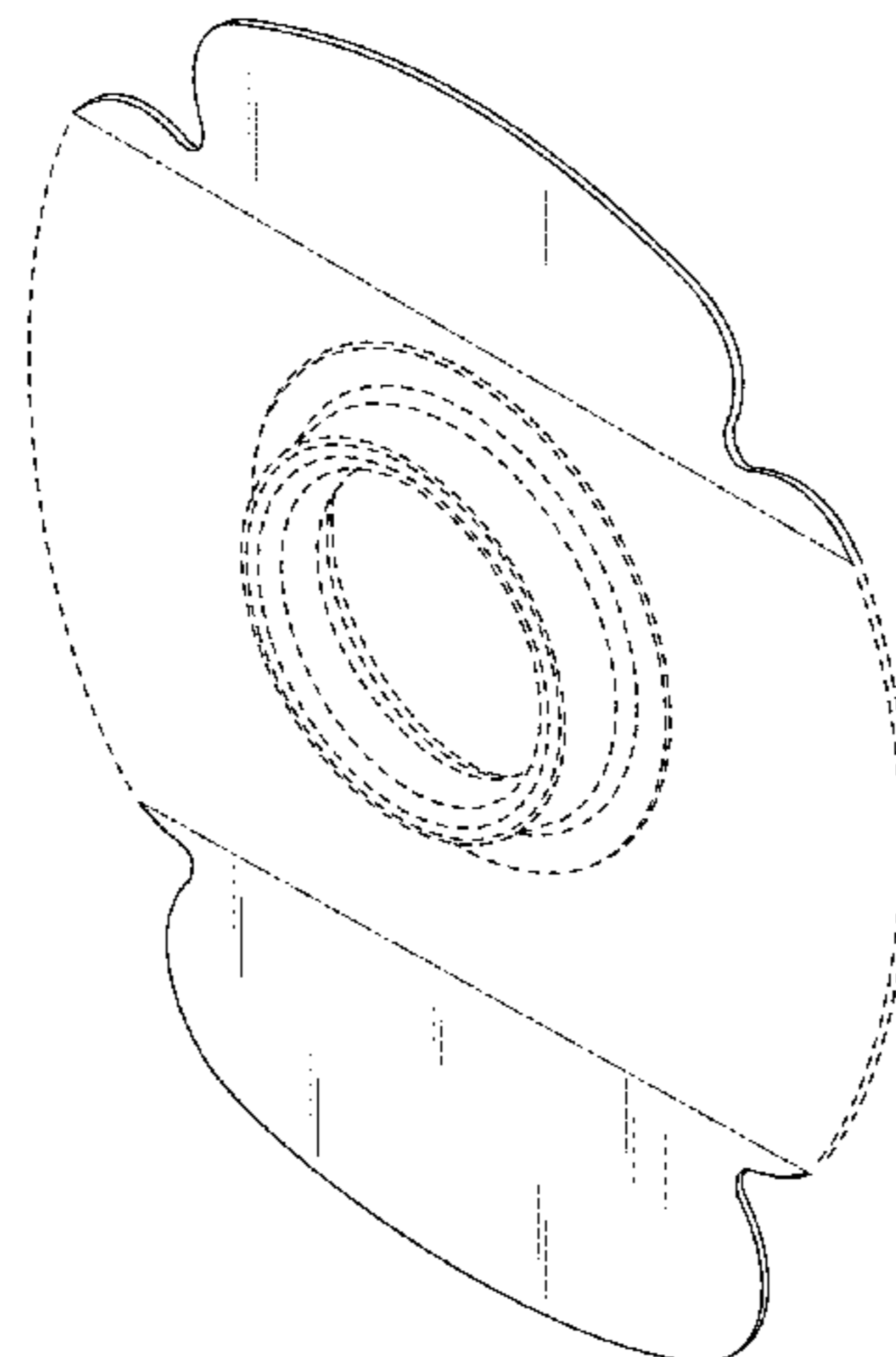
(57) **CLAIM**

The ornamental design for a heat and moisture exchanger base plate, as shown and described.

**DESCRIPTION**

FIG. 1 is a perspective view of a first embodiment; FIG. 2 is a front view of a first embodiment; FIG. 3 is a back view of a first embodiment; FIG. 4 is a left side view of a first embodiment; FIG. 5 is a right side view of a first embodiment; FIG. 6 is a top view of a first embodiment; FIG. 7 is a bottom view of a first embodiment; FIG. 8 is a perspective view of a second embodiment; FIG. 9 is a front view of a second embodiment; FIG. 10 is a back view of a second embodiment; FIG. 11 is a left side view of a second embodiment; FIG. 12 is a right side view of a second embodiment; FIG. 13 is a top view of a second embodiment; FIG. 14 is a bottom view of a second embodiment; FIG. 15 is a perspective view of a third embodiment; FIG. 16 is a front view of a third embodiment; FIG. 17 is a back view of a third embodiment; FIG. 18 is a left side view of a third embodiment; FIG. 19 is a right side view of a third embodiment; FIG. 20 is a top view of a third embodiment; and, FIG. 21 is a bottom view of a third embodiment. In the drawings, the broken lines depict environmental subject matter only and form no part of the claimed design.

**1 Claim, 15 Drawing Sheets**



(56)

**References Cited**

U.S. PATENT DOCUMENTS

2011/0118684 A1\* 5/2011 Nguyen-DeMary .... A61F 5/448  
604/344  
2013/0192603 A1\* 8/2013 Leibitzki ..... A61M 16/0468  
128/205.29  
2013/0192604 A1\* 8/2013 Persson ..... A61M 16/047  
128/207.16  
2013/0213404 A1\* 8/2013 Leibitzki ..... A61M 16/047  
128/207.14  
2013/0304008 A1\* 11/2013 Hanuka ..... A61F 5/4401  
604/334  
2014/0216445 A1\* 8/2014 Persson ..... A61M 16/0465  
128/201.13  
2017/0156920 A1\* 6/2017 Hunt ..... A61F 5/448

\* cited by examiner

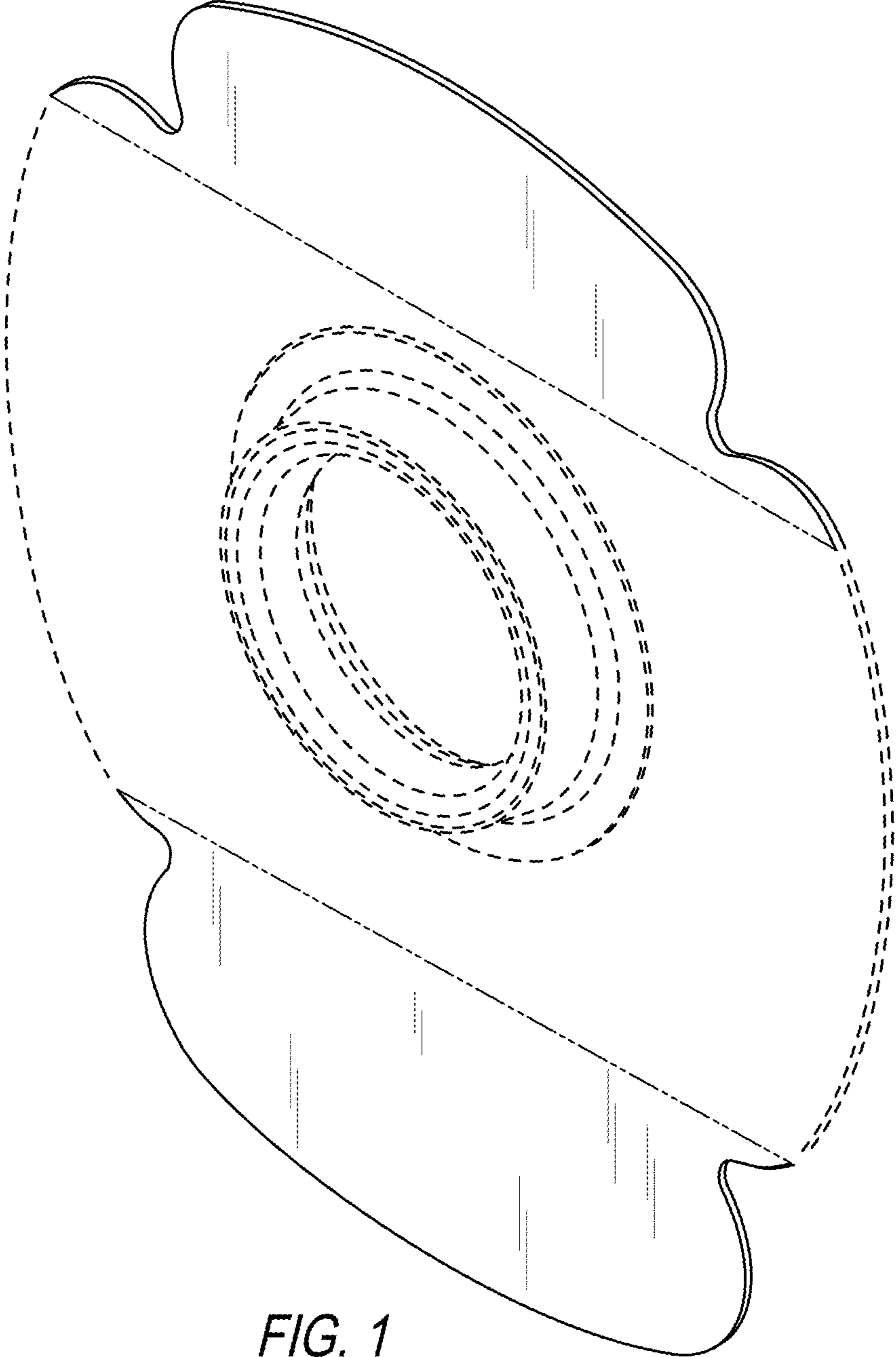


FIG. 1

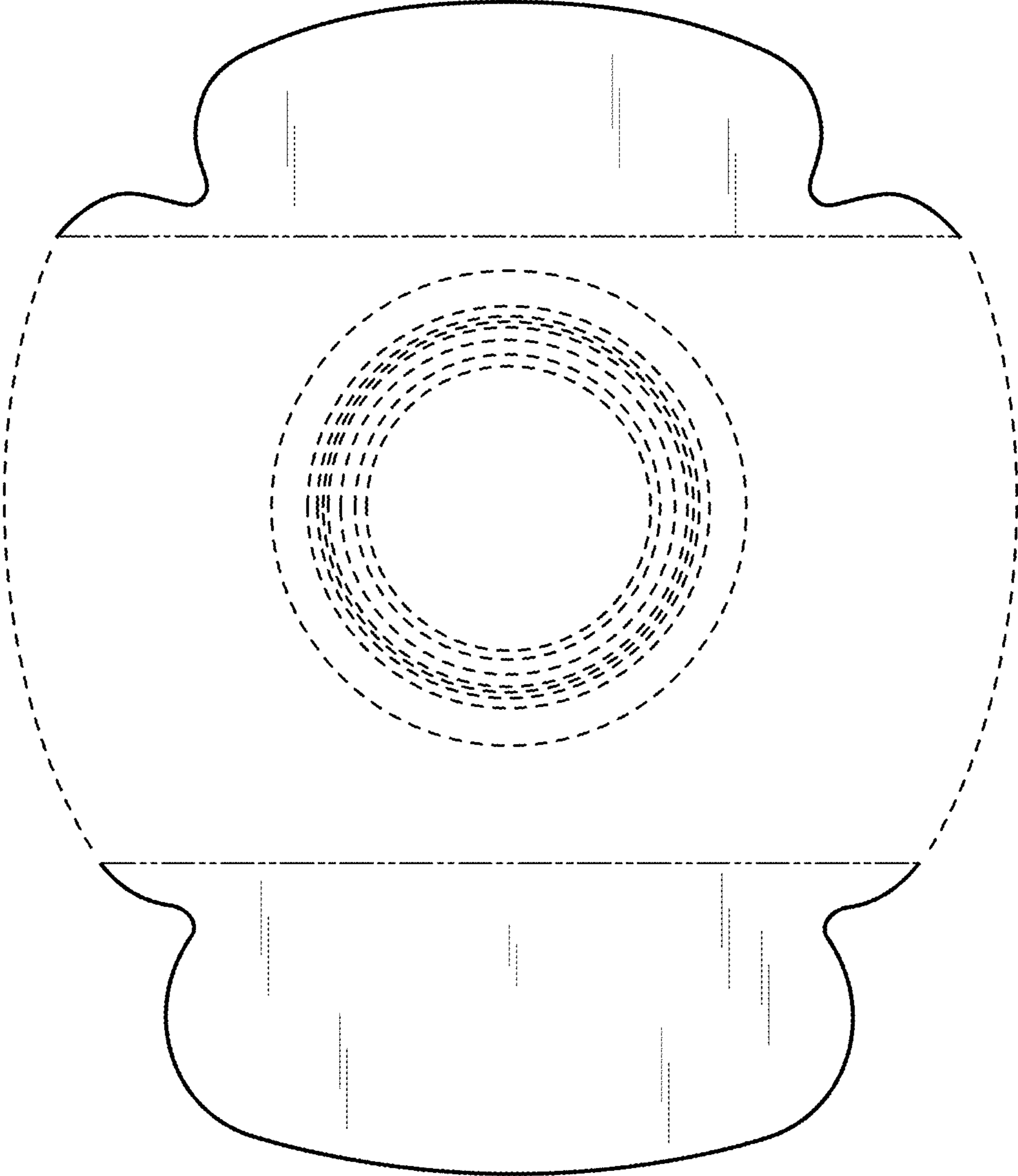


FIG. 2

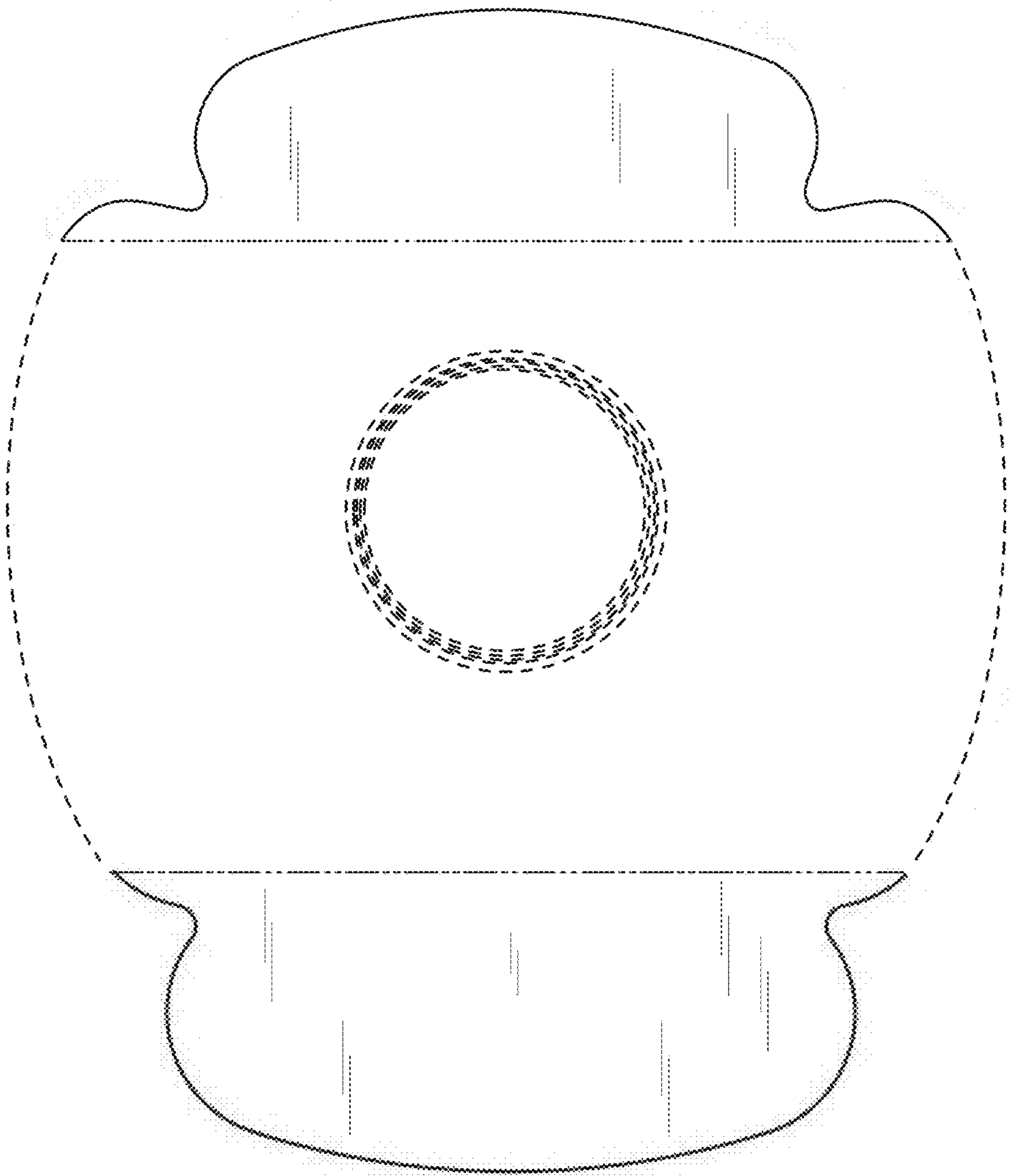


FIG. 3

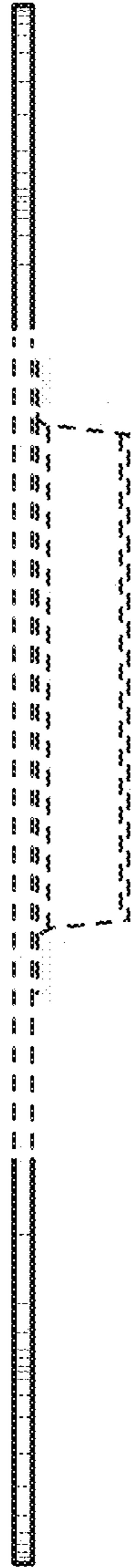


FIG. 4

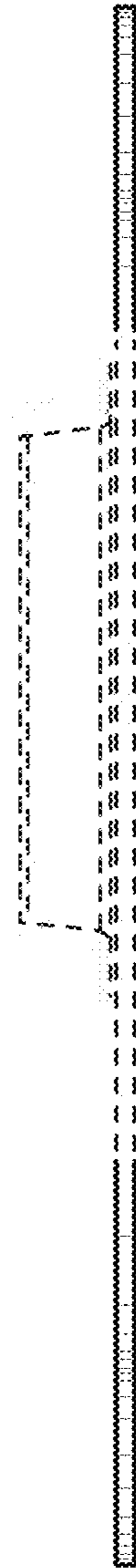


FIG. 5



*FIG. 6*



*FIG. 7*

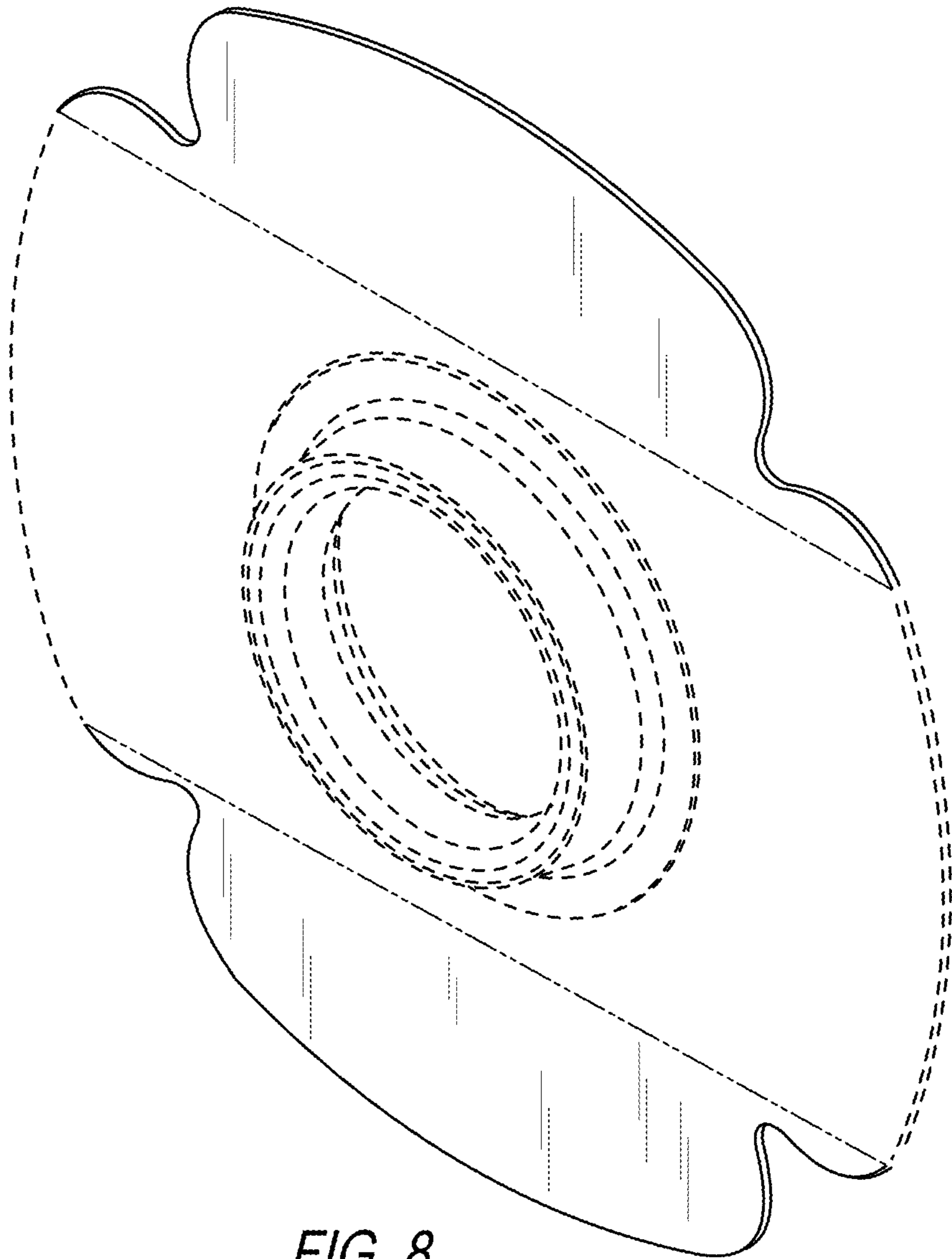


FIG. 8



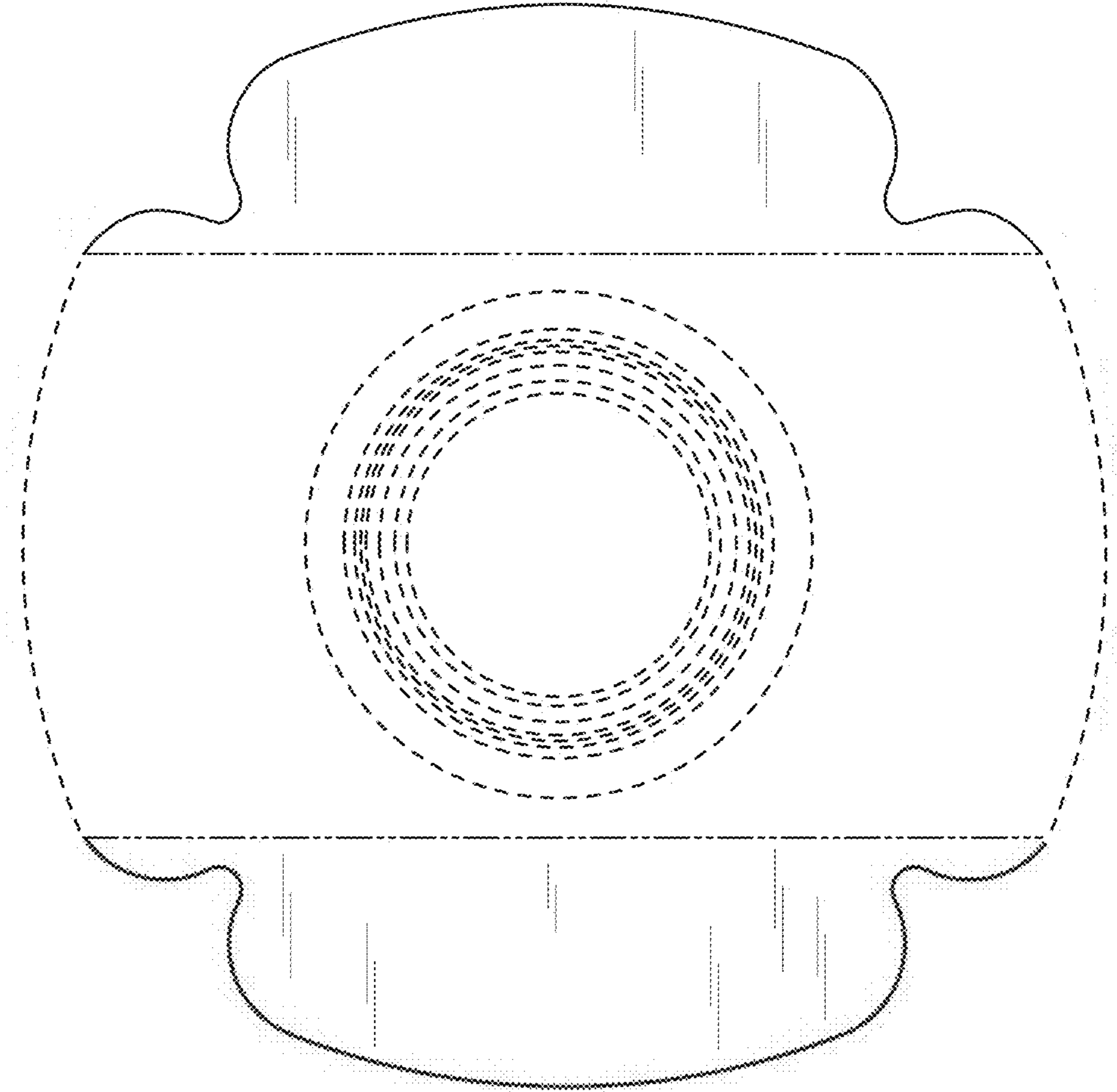


FIG. 9

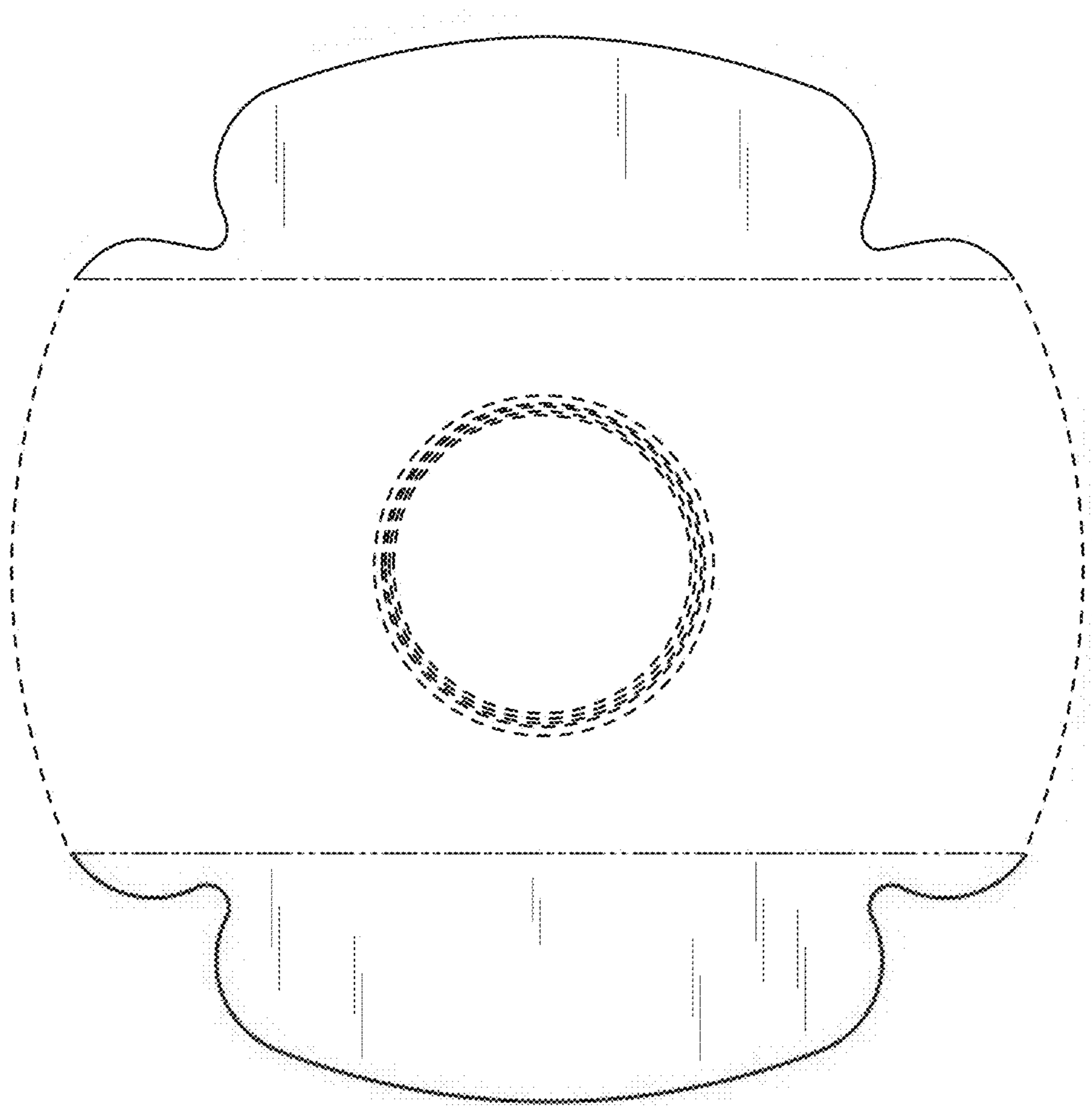


FIG. 10

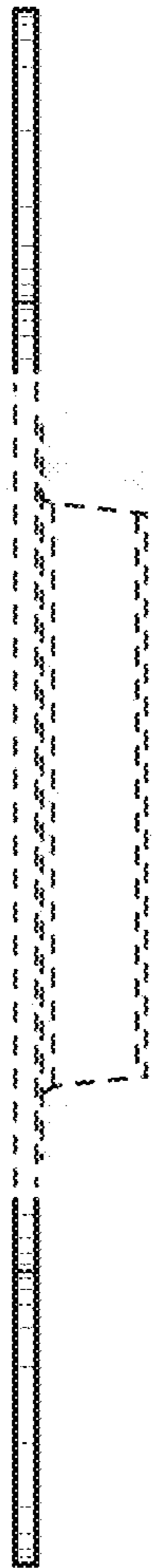
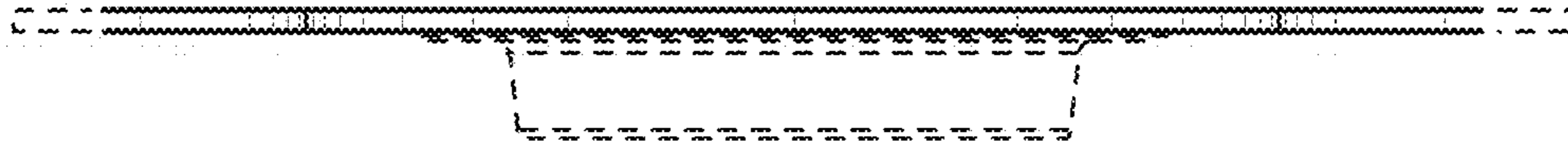


FIG. 11



FIG. 12



*FIG. 13*



*FIG. 14*

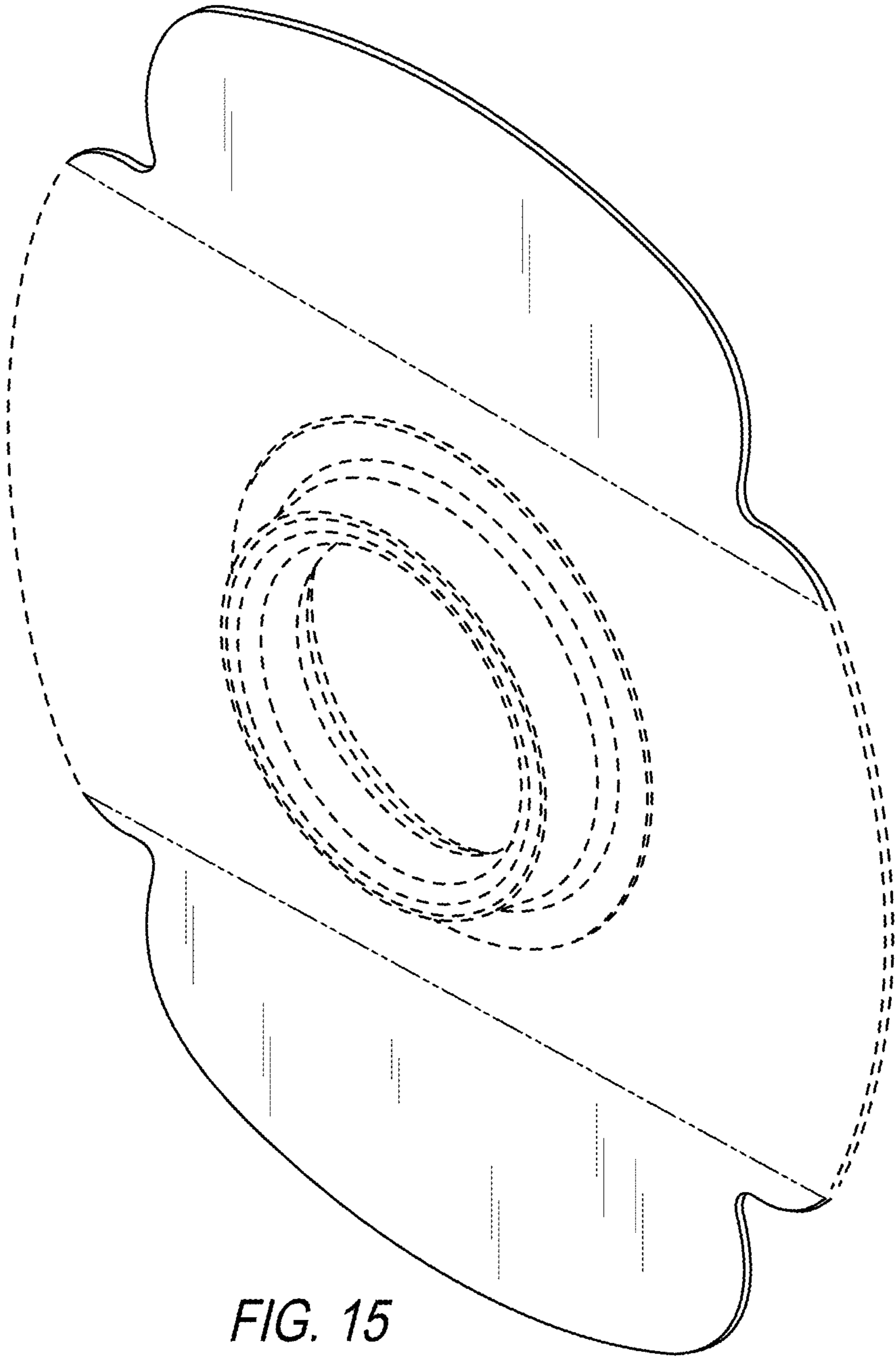


FIG. 15

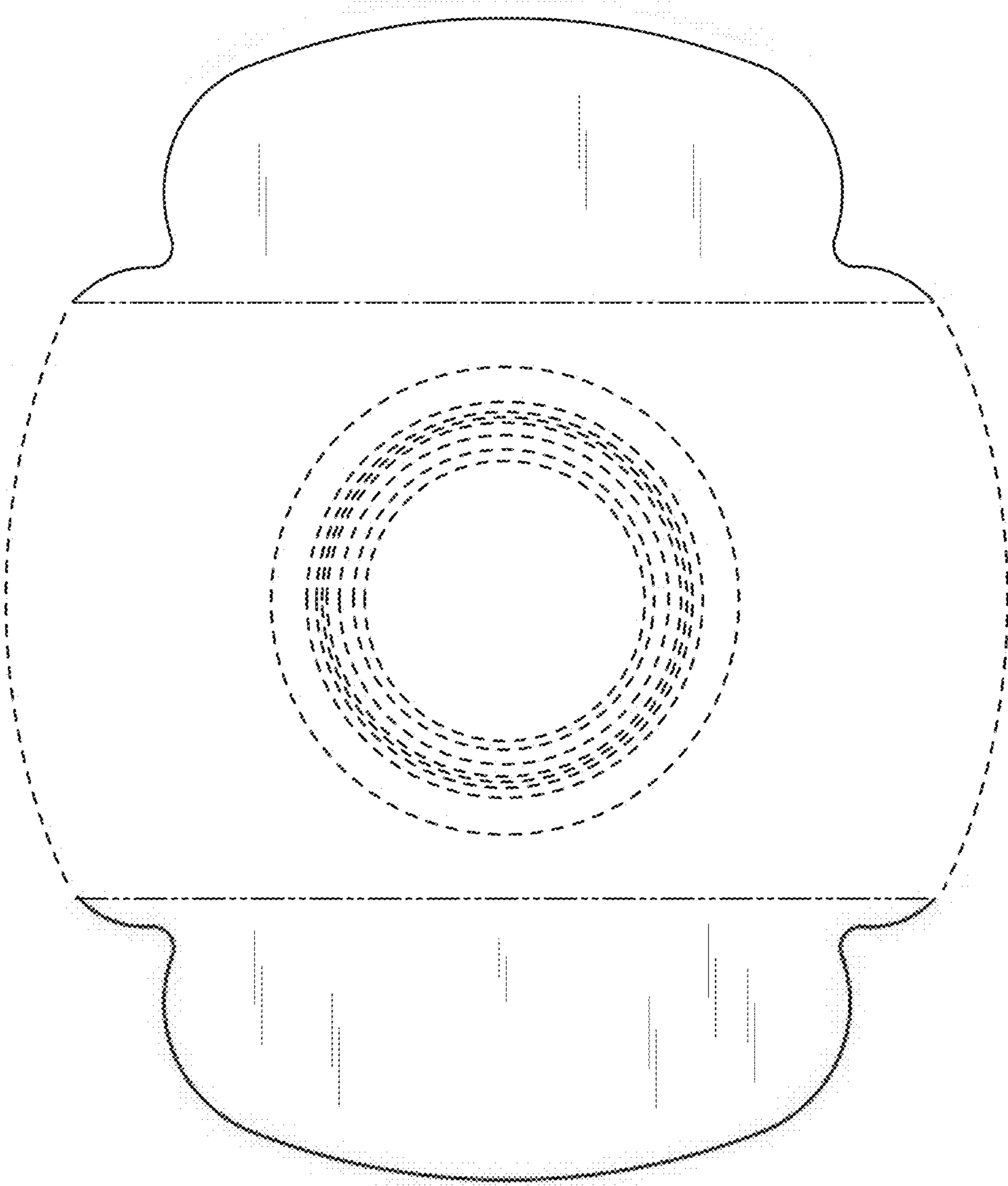


FIG. 16

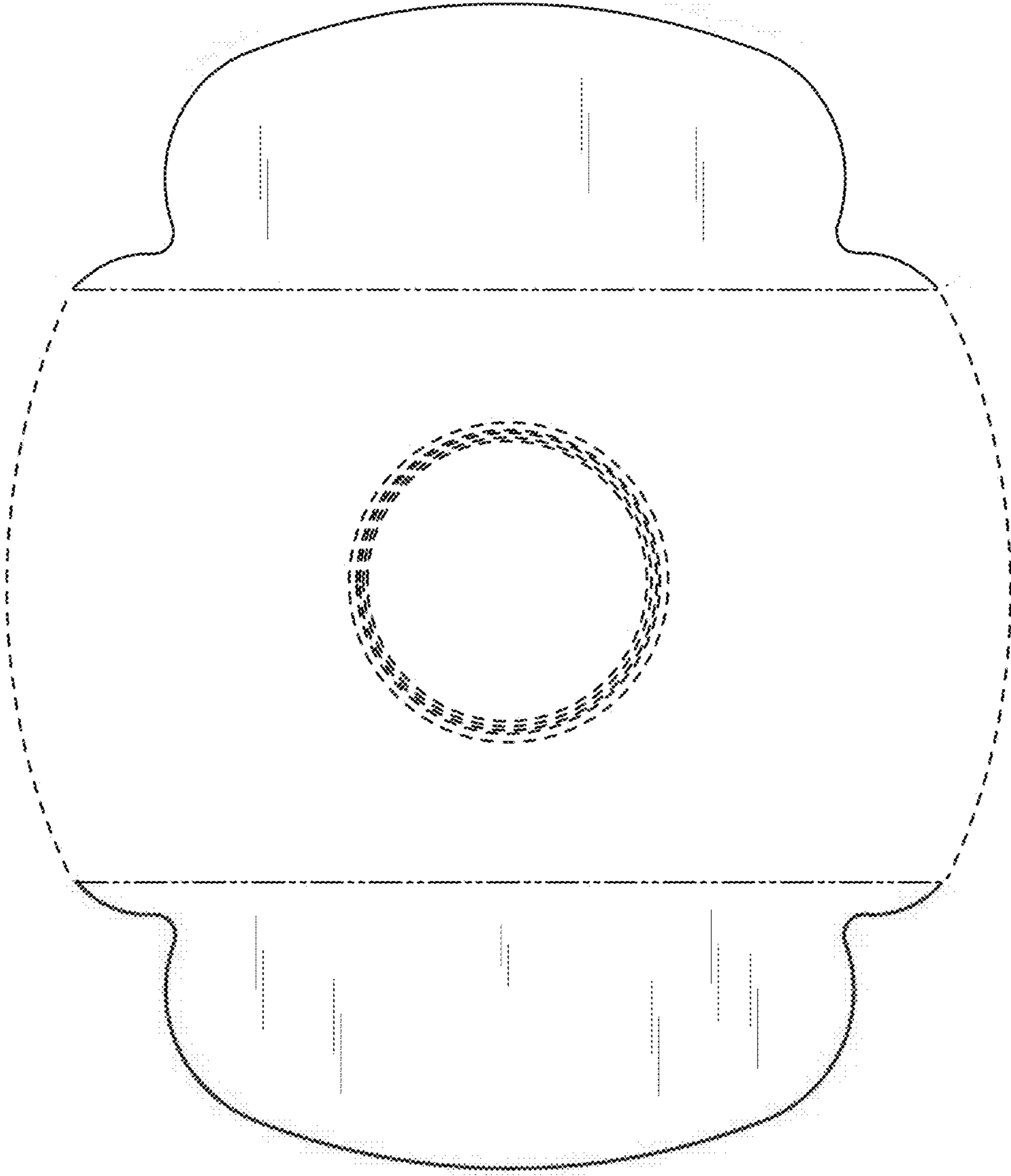


FIG. 17



FIG. 18

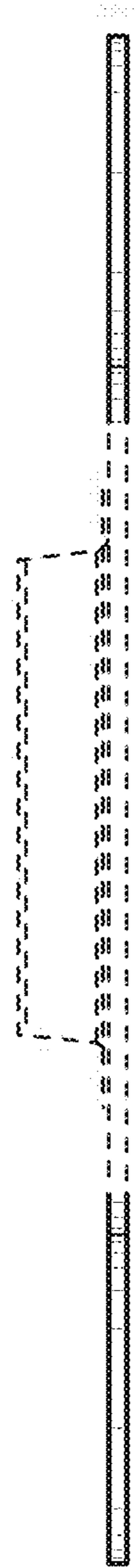
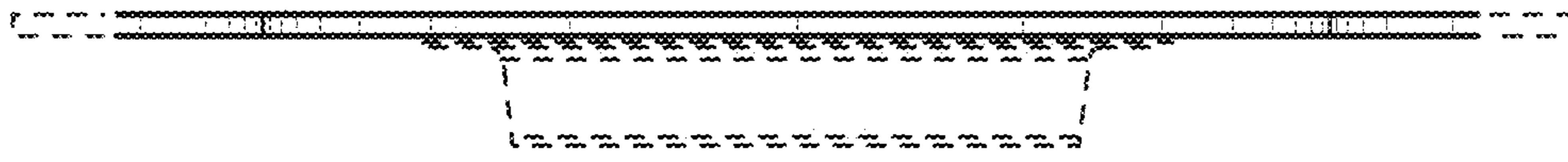


FIG. 19





*FIG. 20*



*FIG. 21*