



US00D819201S

(12) **United States Design Patent** (10) **Patent No.:** **US D819,201 S**
Denzer et al. (45) **Date of Patent:** **** May 29, 2018**

(54) **PHARMACEUTICAL PRODUCT CASSETTE FOR AN INJECTION DEVICE**

(56) **References Cited**

U.S. PATENT DOCUMENTS

(71) Applicant: **Amgen Inc.**, Thousand Oaks, CA (US)

D334,233 S * 3/1993 Schaechter D24/112
7,097,637 B2 * 8/2006 Triplett A61M 5/158
604/177

(72) Inventors: **Michael Denzer**, Ringoes, NJ (US);
Robert W. Swift, Fillmore, CA (US);
Neal D. Johnston, Irving, TX (US);
Gabriele Ganzitti, Milan (IT);
Kenneth R. Ewing, Fremont, CA (US);
Suhas Krishna, Simi Valley, CA (US)

D619,706 S * 7/2010 Schon D24/129
D625,015 S * 10/2010 Hansen D24/186
D637,713 S * 5/2011 Nord D24/129
D642,261 S * 7/2011 York D24/130
D673,677 S * 1/2013 Noda D24/114
D679,008 S * 3/2013 Schroeder D24/129
D679,391 S * 4/2013 Chinowsky D24/127
D702,343 S * 4/2014 Dale D24/129
D702,835 S * 4/2014 Vinchon D24/130
D718,439 S * 11/2014 Woehr D24/130
D765,241 S * 8/2016 Holland D24/114
D768,851 S * 10/2016 Rozwadowski D24/130
D768,852 S * 10/2016 Rozwadowski D24/130

(73) Assignee: **AMGEN INC.**, Thousand Oaks, CA (US)

(**) Term: **15 Years**

* cited by examiner

(21) Appl. No.: **29/548,508**

Primary Examiner — David Muller

(22) Filed: **Dec. 14, 2015**

(74) *Attorney, Agent, or Firm* — Marshall, Gerstein & Borun LLP

Related U.S. Application Data

(63) Continuation-in-part of application No. 14/112,479, filed as application No. PCT/US2012/034535 on Apr. 20, 2012.

(51) **LOC (11) Cl.** **24-02**

(52) **U.S. Cl.**
USPC **D24/127**

(58) **Field of Classification Search**
USPC D24/112–114, 108, 133, 130, 127, 186;
606/181, 185; 604/264, 272, 187, 181,
604/184, 227
CPC A61M 5/178; A61M 3/00; A61M 5/20;
A61M 5/31; A61M 5/3146; A61M
5/3129; A61M 5/3148; A61M 5/315

See application file for complete search history.

(57) **CLAIM**

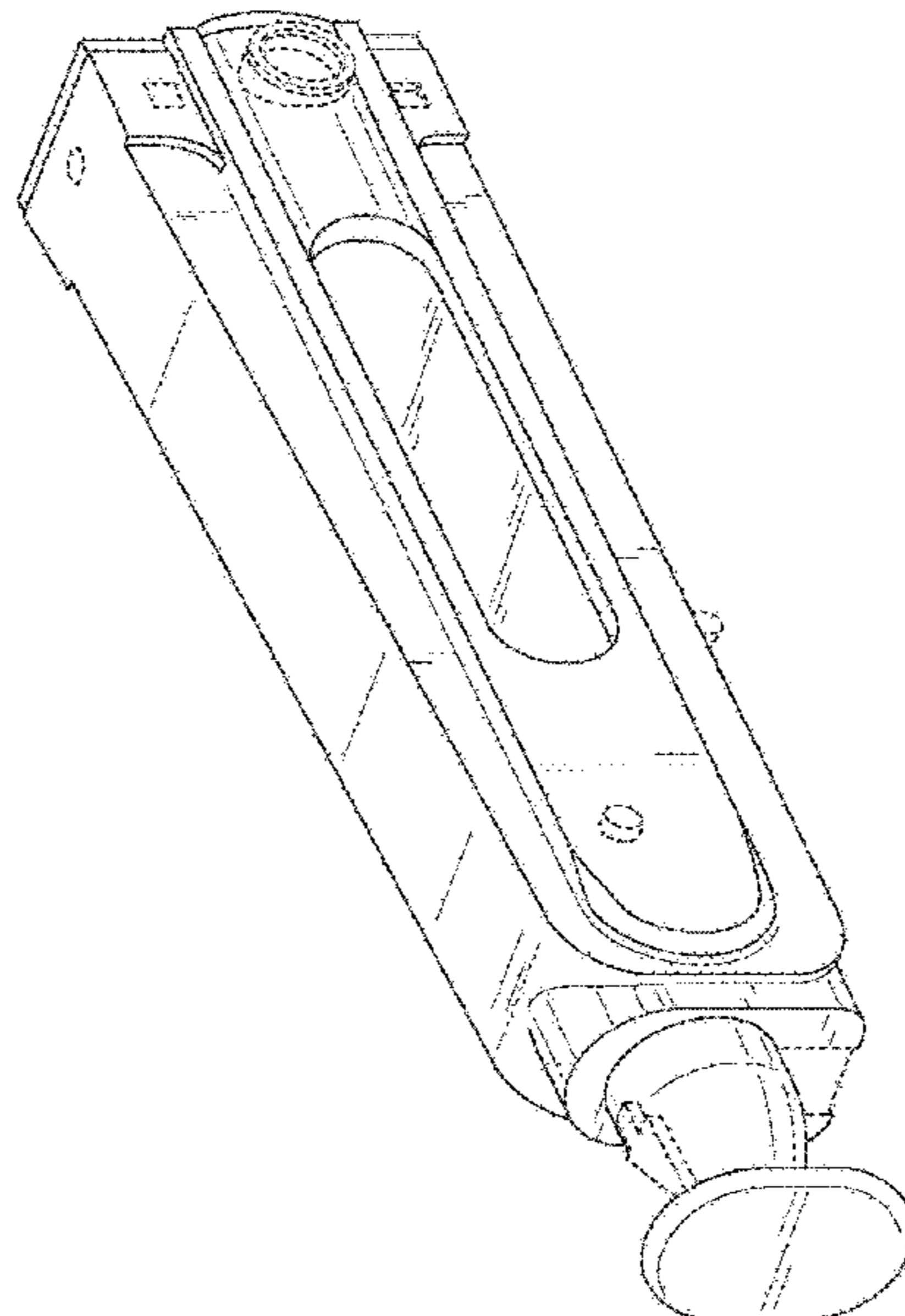
The ornamental design for a pharmaceutical product cassette for an injection device, as shown and described.

DESCRIPTION

FIG. 1 is a top perspective view of a pharmaceutical product cassette for an injection device showing the new design; FIG. 2 is a bottom perspective view thereof; FIG. 3 is a bottom elevation view thereof; FIG. 4 is a top elevation view thereof; FIG. 5 is a side elevation view thereof; FIG. 6 is a front view thereof; and, FIG. 7 is a rear view thereof.

The broken lines represent the portions of the design that form no part of the claim.

1 Claim, 6 Drawing Sheets



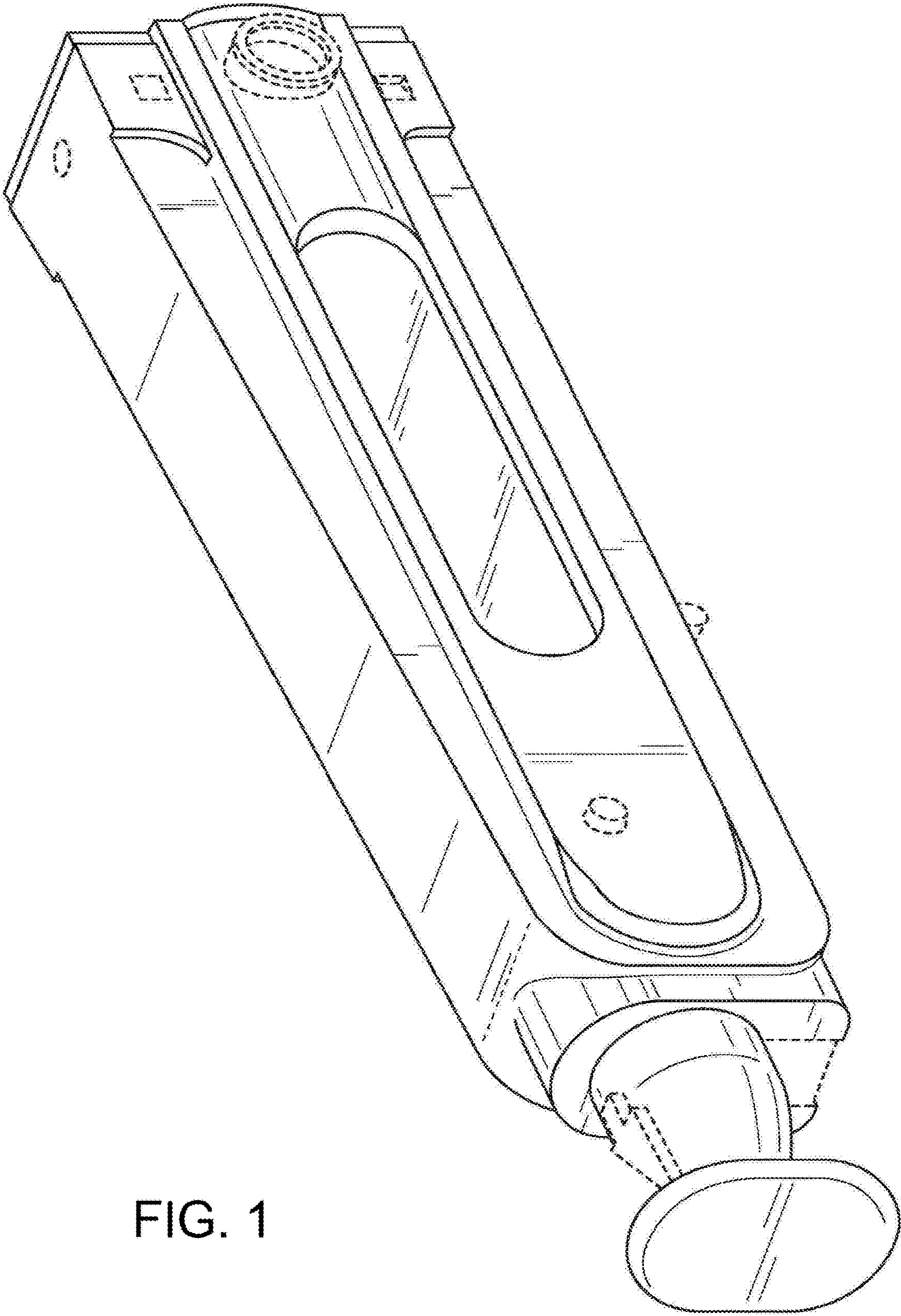


FIG. 1

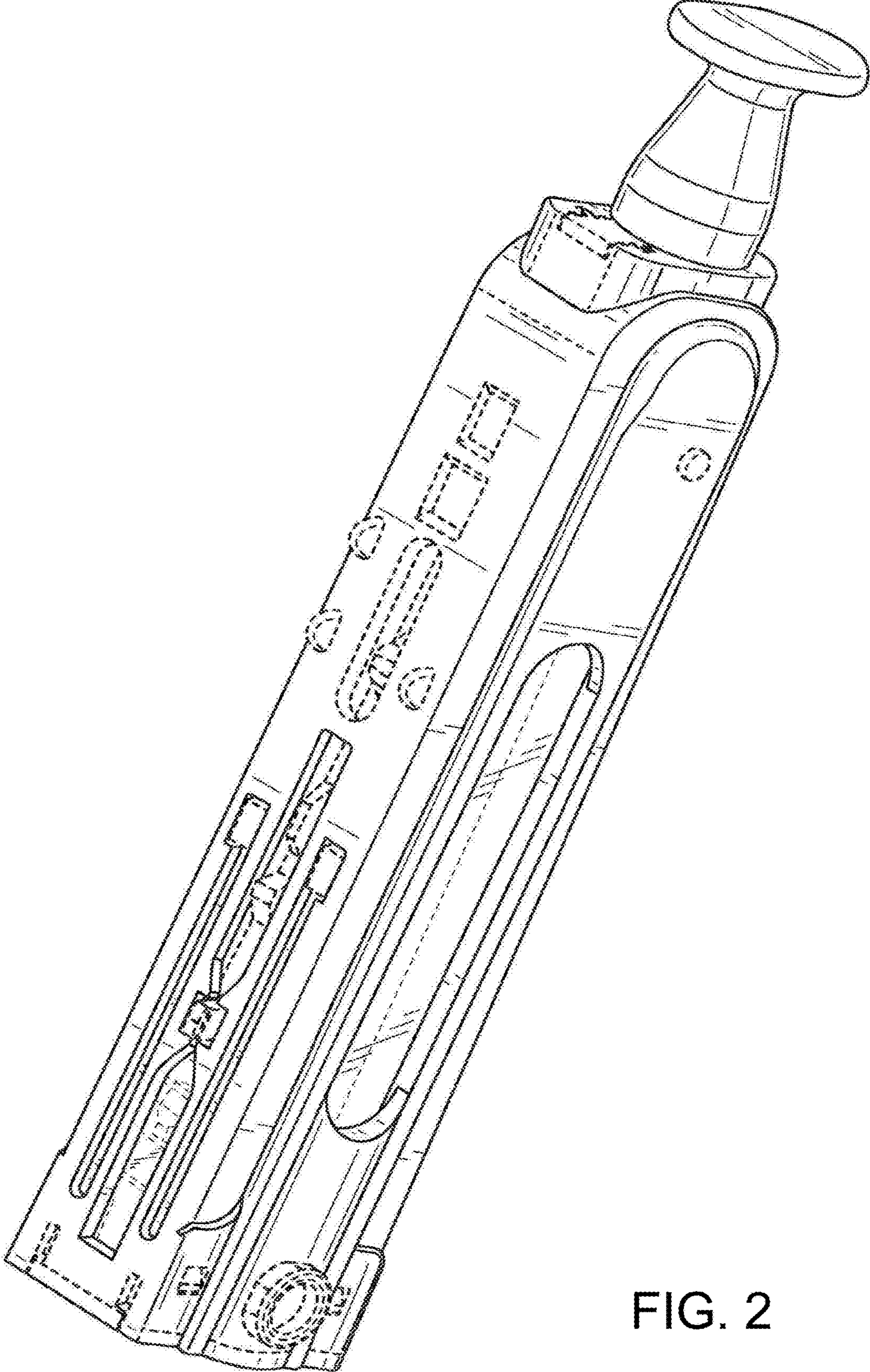


FIG. 2

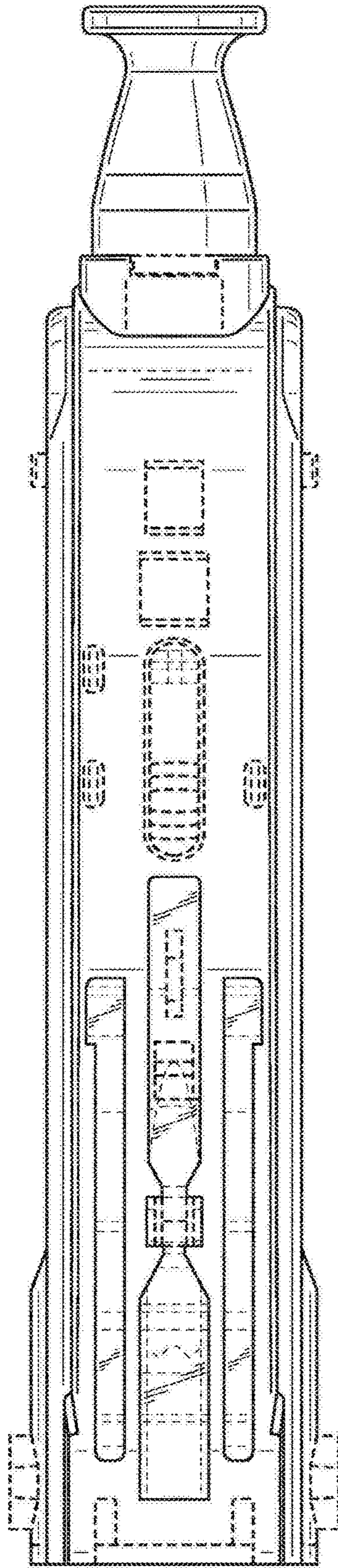


FIG. 3

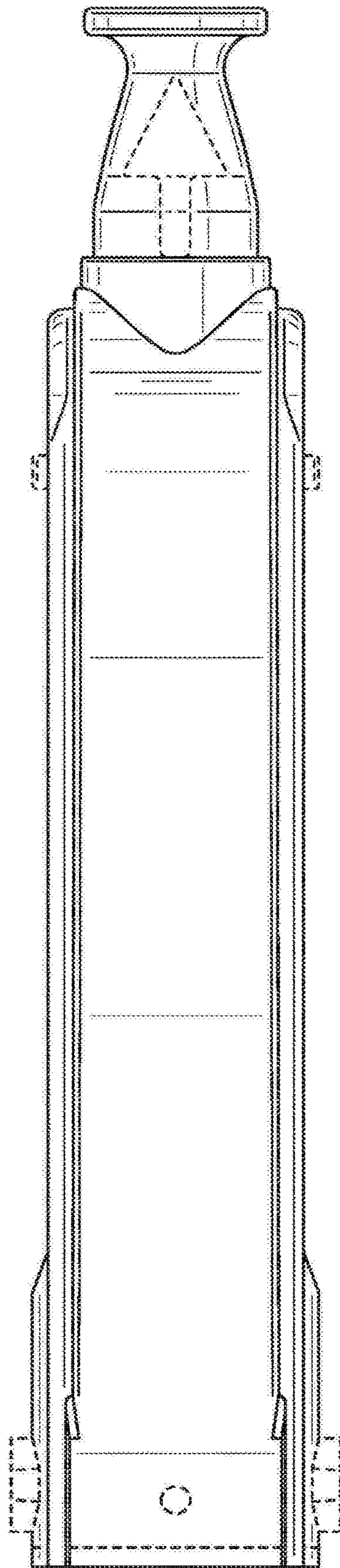


FIG. 4

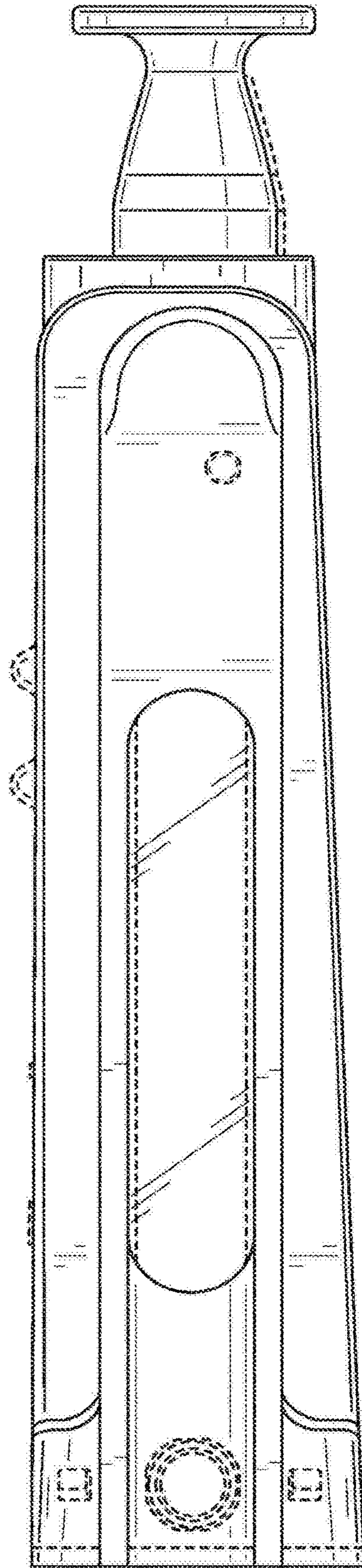


FIG. 5

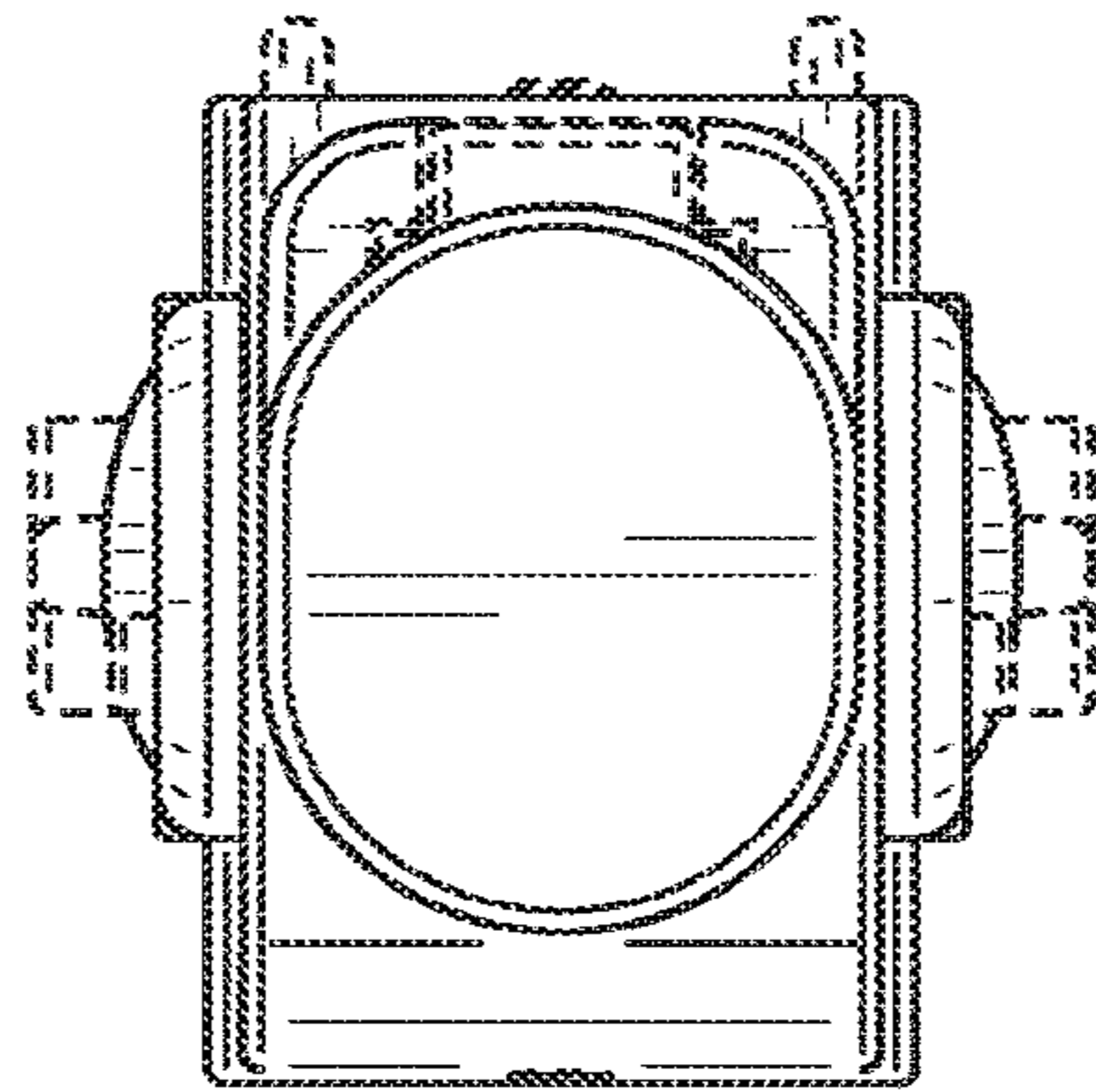


FIG. 6

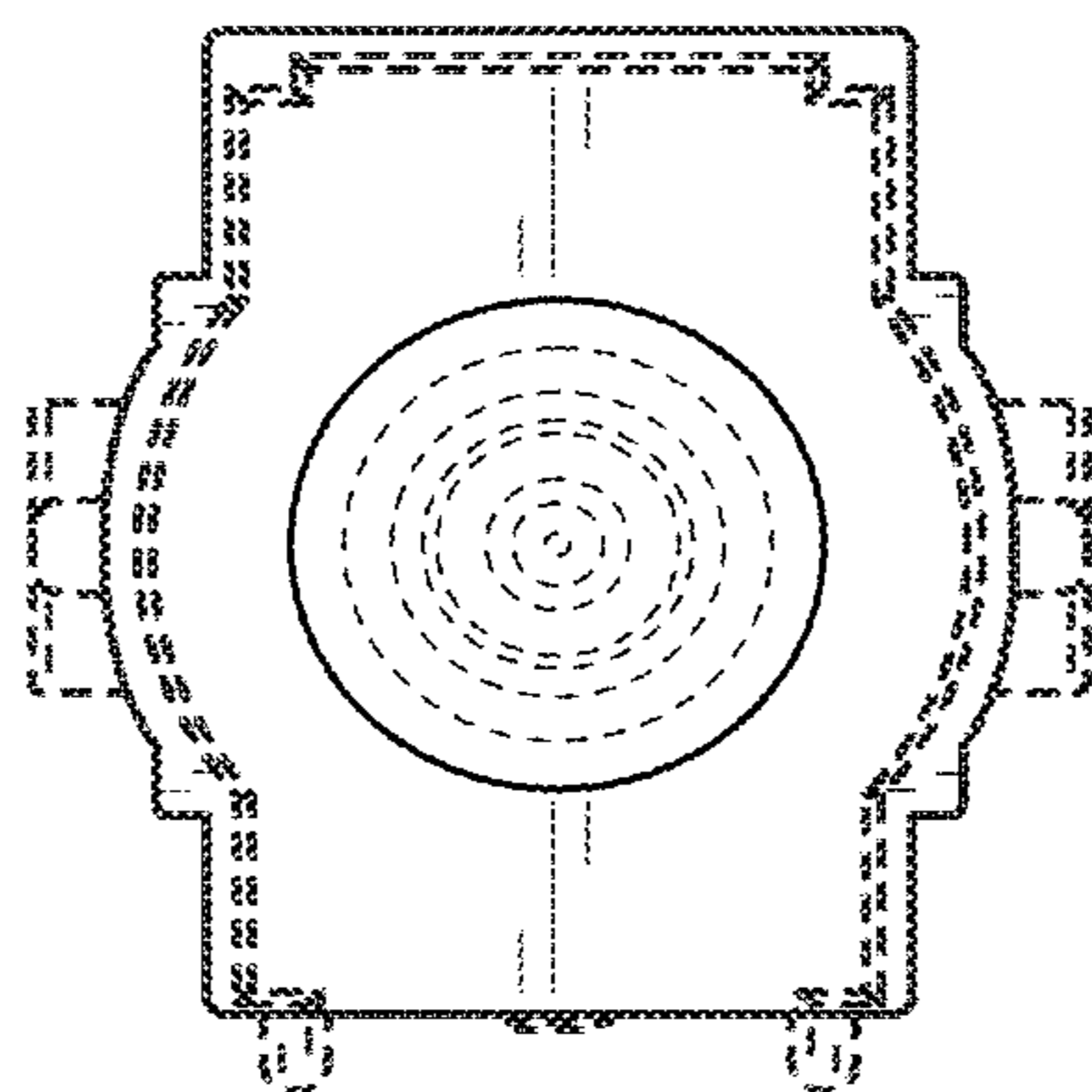


FIG. 7