



US00D819200S

(12) **United States Design Patent** (10) **Patent No.:** **US D819,200 S**
Stonecipher et al. (45) **Date of Patent:** **** May 29, 2018**

(54) **AUTOINJECTOR WITH REMOVABLE CAP**
(71) Applicant: **AMGEN INC.**, Thousand Oaks, CA (US)
(72) Inventors: **Brian Stonecipher**, Newbury Park, CA (US); **Ferry Tamtoro**, Newbury Park, CA (US); **Ryan Ramos**, Chicago, IL (US); **Sigrid Moeslinger**, New York, NY (US); **Masamichi Udagawa**, New York, NY (US); **Gail Hunter**, St. Louis, MO (US); **Laurie Burns**, St. Louis, MO (US)

D714,932 S * 10/2014 Hall D24/112
D715,422 S * 10/2014 Hall D24/112
D732,161 S * 6/2015 Ohashi D24/113
D757,255 S * 5/2016 Wohlfahrt D24/113
D758,566 S * 6/2016 Chen D24/113
D758,569 S * 6/2016 Wohlfahrt D24/113
D758,570 S * 6/2016 Wohlfahrt D24/113
D758,571 S * 6/2016 Geert-Jensen D24/113

(Continued)

Primary Examiner — David Muller
(74) *Attorney, Agent, or Firm* — Marshall, Gerstein & Borun LLP

(73) Assignee: **AMGEN INC.**, Thousand Oaks, CA (US)

(57) **CLAIM**

The ornamental design for an autoinjector with removable cap, as shown and described.

(**) Term: **15 Years**

DESCRIPTION

(21) Appl. No.: **29/544,806**

FIG. 1 is a perspective view showing a new design for an autoinjector with removable cap with the removable cap disposed on the autoinjector;
FIG. 2 is a top view of the autoinjector with removable cap of FIG. 1;
FIG. 3 is a bottom view of the autoinjector with removable cap of FIG. 1;
FIG. 4 is a front view of the autoinjector with removable cap of FIG. 1;
FIG. 5 is a right-side view of the autoinjector with removable cap of FIG. 1;
FIG. 6 is a rear view of the autoinjector with removable cap of FIG. 1;
FIG. 7 is a left-side view of the autoinjector with removable cap of FIG. 1; and,
FIG. 8 is a perspective view showing the autoinjector with removable cap of FIGS. 1-7 with the removable cap removed from the autoinjector.

(22) Filed: **Nov. 6, 2015**

(51) **LOC (11) Cl.** **24-02**

(52) **U.S. Cl.**
USPC **D24/114**

(58) **Field of Classification Search**
USPC D24/112-114, 108, 133, 130, 127, 186;
606/181, 185; 604/264, 272, 187, 181,
604/184, 227
CPC A61M 5/178; A61M 3/00; A61M 5/20;
A61M 5/31; A61M 5/3146; A61M
5/3129; A61M 5/3148; A61M 5/315
See application file for complete search history.

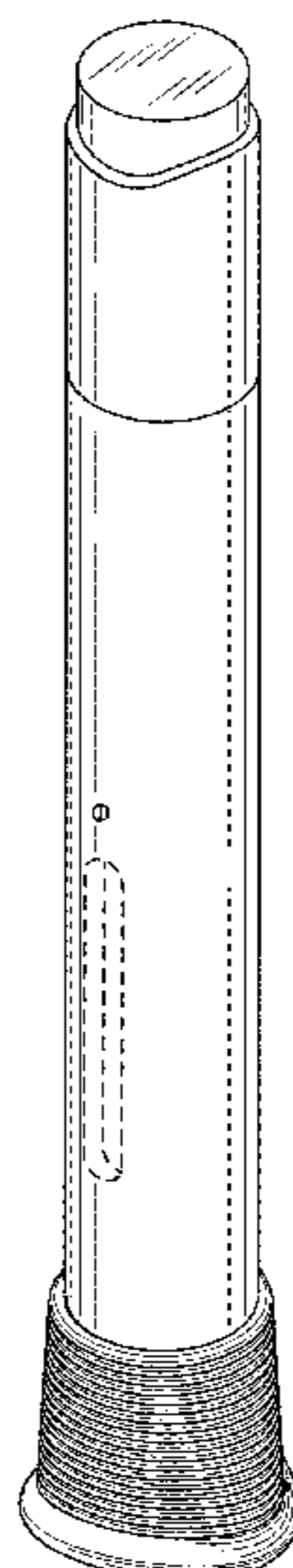
The dashed lines showing portions of the autoinjector with removable cap are included for the purpose of illustrating environment and form no part of the claimed design.

(56) **References Cited**

U.S. PATENT DOCUMENTS

D696,773 S * 12/2013 Schneider D24/113
D696,774 S * 12/2013 Guarraia D24/113
D696,775 S * 12/2013 Guarraia D24/113
D697,205 S * 1/2014 Schneider D24/113

1 Claim, 5 Drawing Sheets



(56)

References Cited

U.S. PATENT DOCUMENTS

D759,814 S * 6/2016 Newman D24/130
2008/0269692 A1 10/2008 James et al.

* cited by examiner

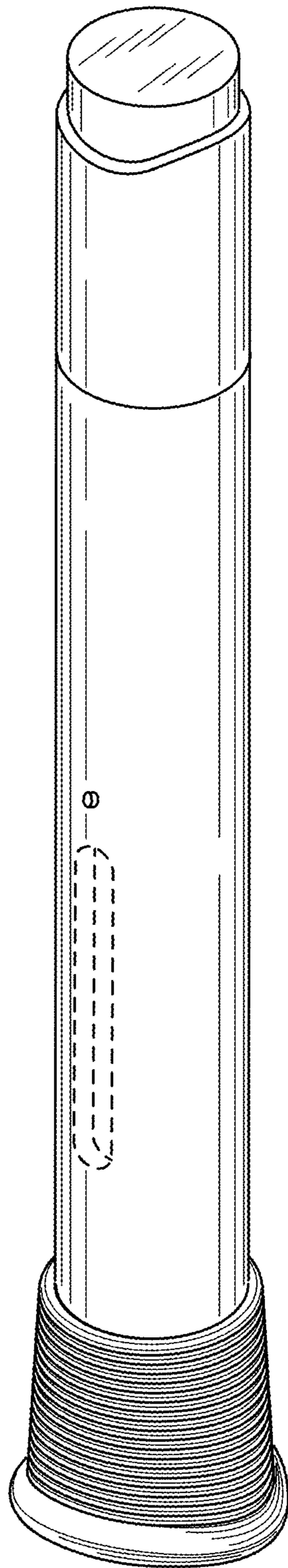


FIG. 1

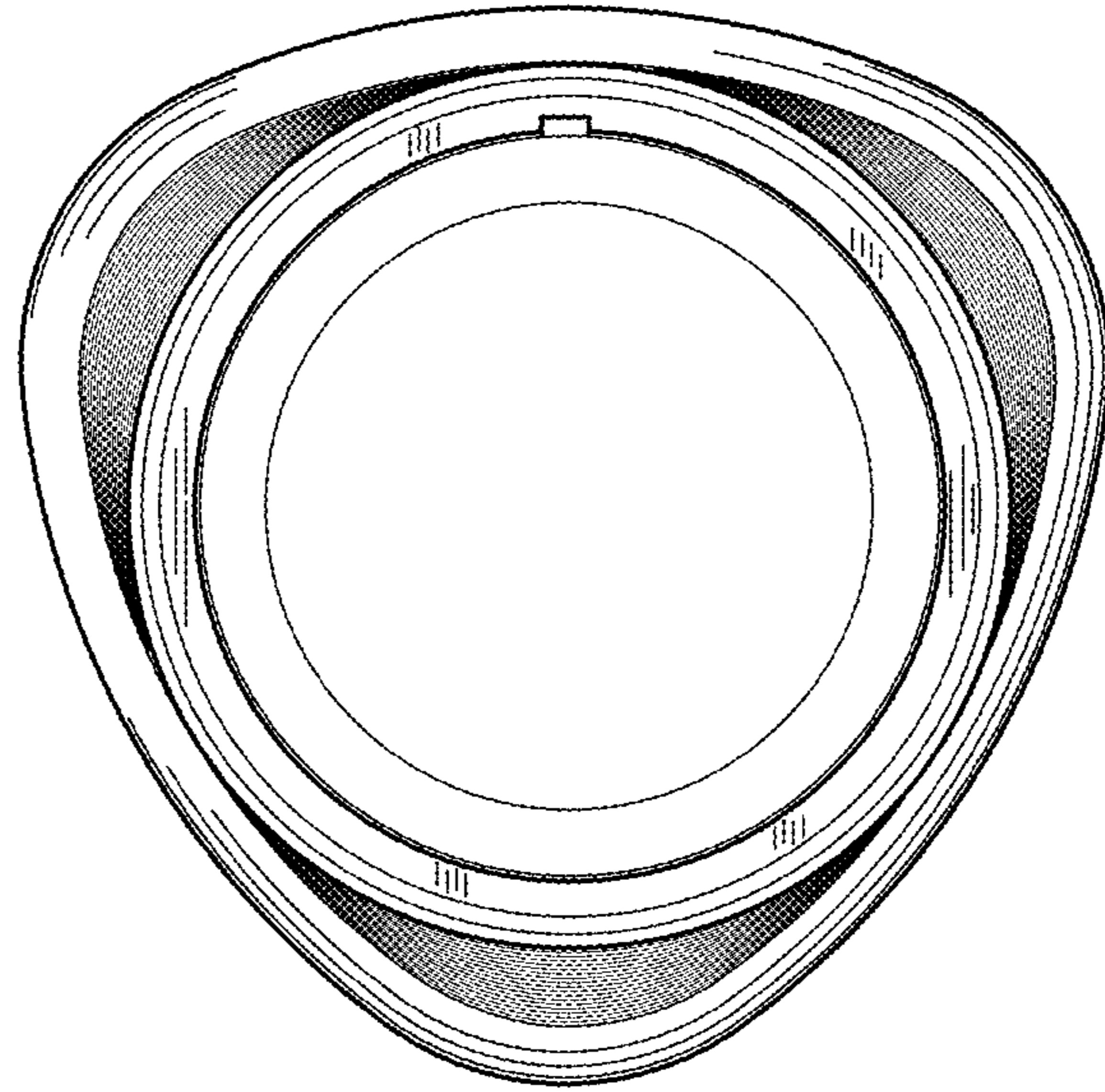


FIG. 2

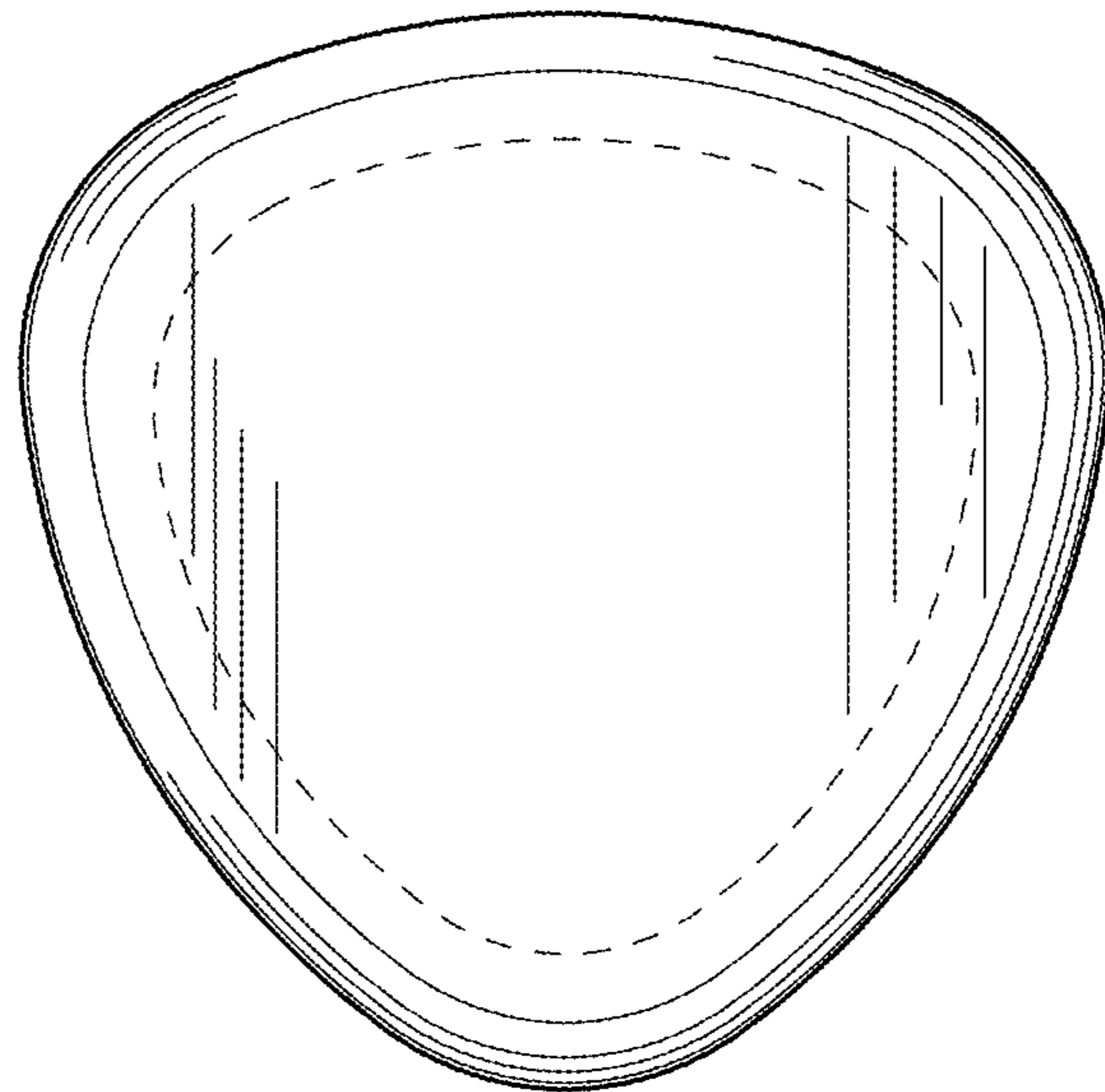


FIG. 3

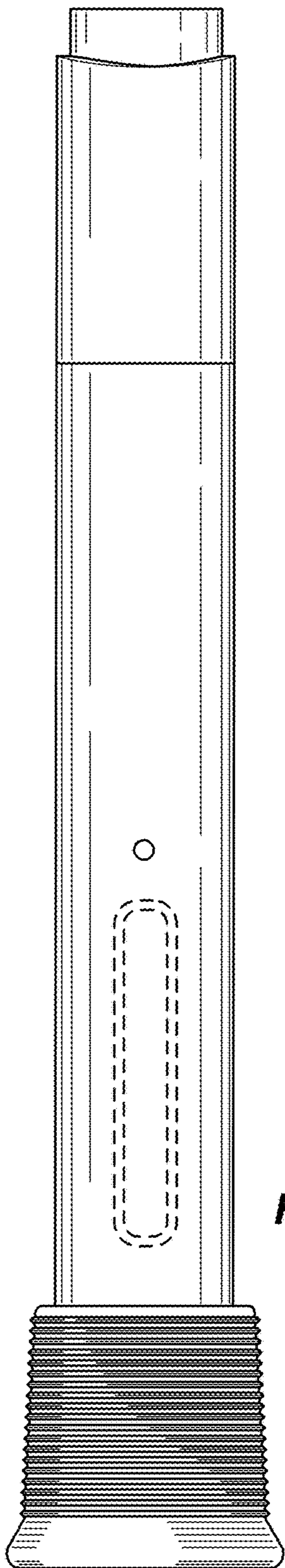


FIG. 4

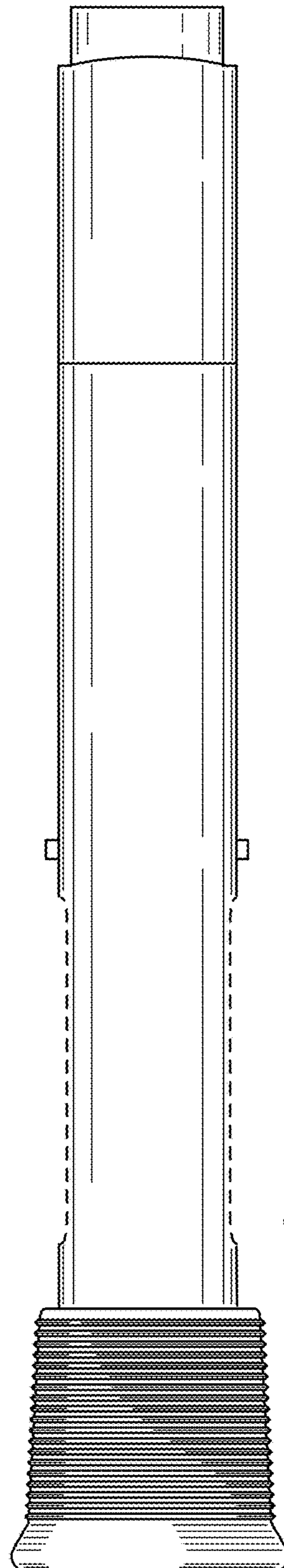


FIG. 5

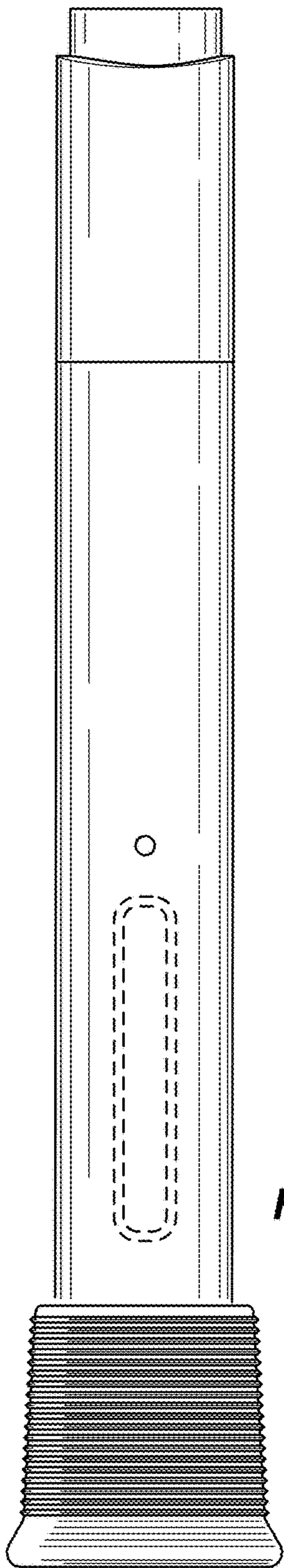


FIG. 6

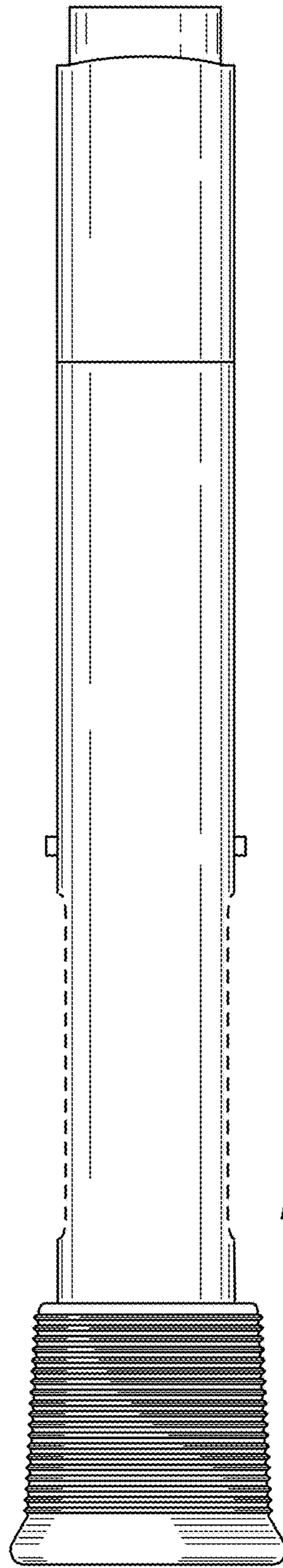


FIG. 7

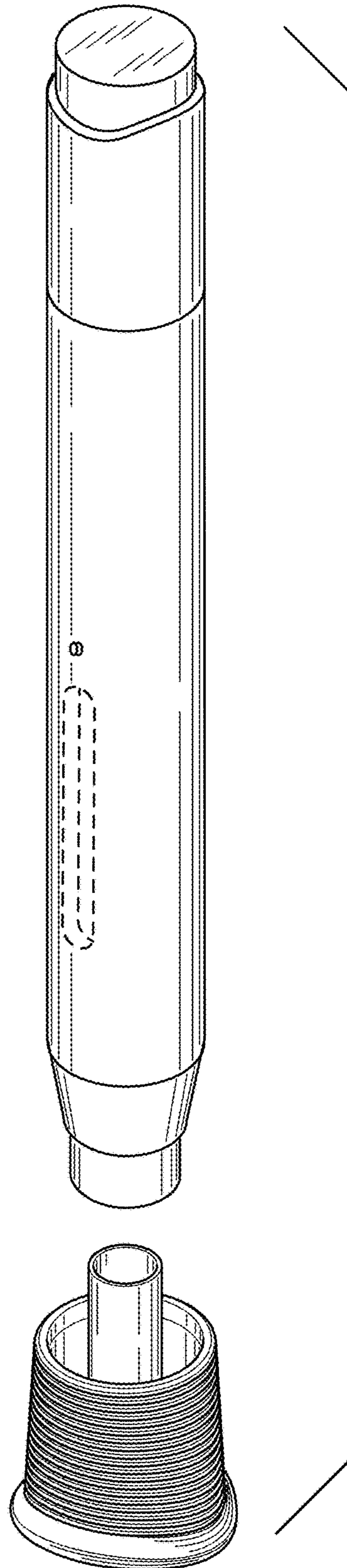


FIG. 8