



US00D819199S

(12) **United States Design Patent** (10) **Patent No.:** **US D819,199 S**  
**Amend Kwasnik et al.** (45) **Date of Patent:** **\*\* \*May 29, 2018**

(54) **MEDICAL INJECTOR PEN**

(71) Applicant: **Merck Sharp & Dohme Corp.**,  
Rahway, NJ (US)

(72) Inventors: **Angela M. Amend Kwasnik**,  
Metuchen, NJ (US); **Benjamin R. Bartfield**,  
West Orange, NJ (US); **Peter Basile**,  
Bloomsbury, NJ (US); **Jeffrey C. Givand**,  
North Wales, PA (US); **Philip G. Green**,  
Weehawken, NJ (US); **Sharad Gupta**,  
Madison, NJ (US); **Christin L. O'Neill**,  
Philadelphia, PA (US); **Steven Carl Persak**,  
Lebanon, NJ (US); **Robert Stianchi**,  
Hillsborough, NJ (US); **Ari Tao Adler**,  
Cambridge, MA (US); **Florian Altmann**,  
München (DE); **Thomas Junk**,  
München (DE); **Florian Kössler**,  
München (DE); **Martin Meier**,  
München (DE); **Scott R. Mackie**,  
New Haven, CT (US); **Pernilla Danielsson**,  
Stockholm (SE)

(73) Assignee: **Merck Sharp & Dohme Corp.**,  
Rahway, NJ (US)

(\*) Notice: This patent is subject to a terminal disclaimer.

(\*\*) Term: **15 Years**

(21) Appl. No.: **29/584,086**

(22) Filed: **Nov. 11, 2016**

**Related U.S. Application Data**

(62) Division of application No. 29/500,636, filed on Aug. 27, 2014, now Pat. No. Des. 777,907.

(51) **LOC (11) Cl.** ..... **24-02**

(52) **U.S. Cl.**  
USPC ..... **D24/113**

(58) **Field of Classification Search**

USPC ..... D24/112-114, 127-131, 133, 186;  
606/181, 185; 604/264, 272, 115, 232,  
(Continued)

(56) **References Cited**

**U.S. PATENT DOCUMENTS**

1,686,055 A 10/1928 Whiteside  
D147,579 S 9/1947 Campbell  
(Continued)

*Primary Examiner* — David Muller

*Assistant Examiner* — Nathan Johnston

(74) *Attorney, Agent, or Firm* — John David Reilly;  
Gloria Fuentes

(57) **CLAIM**

The ornamental design for a medical injector pen, as shown and described.

**DESCRIPTION**

FIG. 1 is a perspective view of a medical injector pen with the cap removed, in accordance with the present invention, in which the color of the pen body, the color of the dosage knob, and the color of the actuator button all form part of the design. The color of the pen body is Pantone 53 8C, the color of the dosage knob is Pantone 2766C, and the color of the actuator button is Pantone 272C;

FIG. 2 is a front elevational view thereof, with the cap removed;

FIG. 3 is a left side elevational view thereof, with the cap removed;

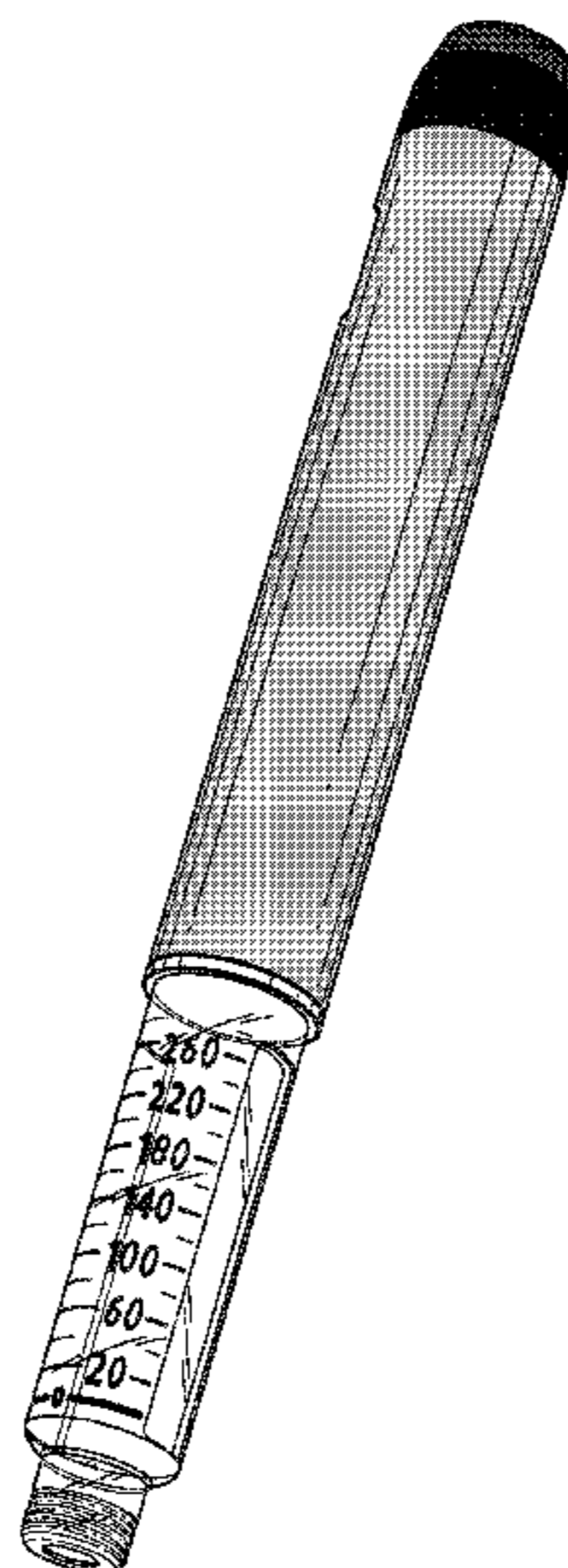
FIG. 4 is a right side elevational view thereof, with the cap removed;

FIG. 5 is a rear elevational view thereof, with the cap removed;

FIG. 6 is a top plan view thereof, with the cap removed; and,

FIG. 7 is a bottom plan view thereof, with the cap removed.

**1 Claim, 6 Drawing Sheets**



(58) **Field of Classification Search**  
 USPC .. 604/187, 158, 164.08, 192, 263, 163, 181,  
 604/184, 198, 227; 600/101, 139, 143;  
 128/200.24, 207.14, 207.15;  
 D19/115-123, 177  
 CPC ..... A61M 5/3156; A61M 5/31591; A61M  
 5/3155; A61M 5/3157; A61M 5/24;  
 A61M 5/31501; A61M 5/31551; A61M  
 5/31585; A61M 2005/2407; A61M  
 2005/2492; A61M 2205/581; A61M  
 2205/582  
 See application file for complete search history.

(56) **References Cited**  
 U.S. PATENT DOCUMENTS

D279,504 S	7/1985	Tump	
D298,653 S	11/1988	Maietta	
D320,084 S	9/1991	Stewart et al.	
D369,384 S	4/1996	Yasoshima	
5,921,966 A *	7/1999	Bendek .....	A61M 5/24 604/207
D479,600 S	9/2003	Bainton	
D479,748 S	9/2003	Tyce	
D490,150 S	5/2004	Hawley et al.	
D491,263 S	6/2004	Hawley et al.	
D492,027 S	6/2004	Tyce et al.	
D492,405 S	6/2004	Bainton	
D499,485 S	12/2004	Tyce	
D501,253 S	1/2005	Bainton	
D505,490 S	5/2005	Tyce	
D506,221 S	6/2005	Huang	
D540,465 S	4/2007	Bainton	
D542,914 S	5/2007	Tanghoj	
D542,978 S	5/2007	Bortolotti	
D567,852 S	4/2008	Qiu et al.	
D568,988 S	5/2008	Galbraith	

D598,539 S	8/2009	Tyce	
D599,008 S	8/2009	Tyce	
D599,009 S	8/2009	Tyce	
D599,010 S	8/2009	Tyce	
D599,011 S	8/2009	Tyce	
D600,794 S	9/2009	Tyce	
D600,795 S	9/2009	Tyce	
D606,650 S	12/2009	Tyce	
D608,442 S	1/2010	Tyce	
D610,252 S	2/2010	Tyce	
D610,676 S	2/2010	Tyce	
D610,677 S	2/2010	Tyce	
D612,486 S	3/2010	Van der Stappen	
7,674,246 B2	3/2010	Gillespie et al.	
D619,244 S	7/2010	Van der Stappen	
D622,374 S	8/2010	Julian et al.	
D626,216 S	10/2010	Tyce	
D627,061 S	11/2010	Van der Stappen	
D629,509 S	12/2010	Julian et al.	
D688,792 S	8/2013	Guarraia et al.	
D696,774 S	12/2013	Guarraia et al.	
D696,775 S	12/2013	Guarraia et al.	
D722,158 S *	2/2015	Magome .....	D24/113
9,089,651 B2 *	7/2015	Butler .....	A61M 5/31525
9,095,658 B2 *	8/2015	Wieselblad .....	A61M 5/31551
D757,254 S *	5/2016	Wohlfahrt .....	D24/113
9,408,978 B2 *	8/2016	Plumptre .....	A61M 5/24
9,452,265 B2 *	9/2016	Quinn .....	A61M 5/3157
D777,908 S *	1/2017	Amend Kwasnik .....	D24/113
2004/0054327 A1	3/2004	Gillespie	
2013/0041321 A1 *	2/2013	Cross .....	A61M 5/2448 604/189
2013/0245563 A1 *	9/2013	Mercer .....	A61M 5/3294 604/191
2015/0224266 A1 *	8/2015	Plumptre .....	A61M 5/24 604/189
2016/0263327 A1 *	9/2016	Radmer .....	A61M 5/20
2016/0287801 A1 *	10/2016	Wieselblad .....	A61M 5/3155

\* cited by examiner

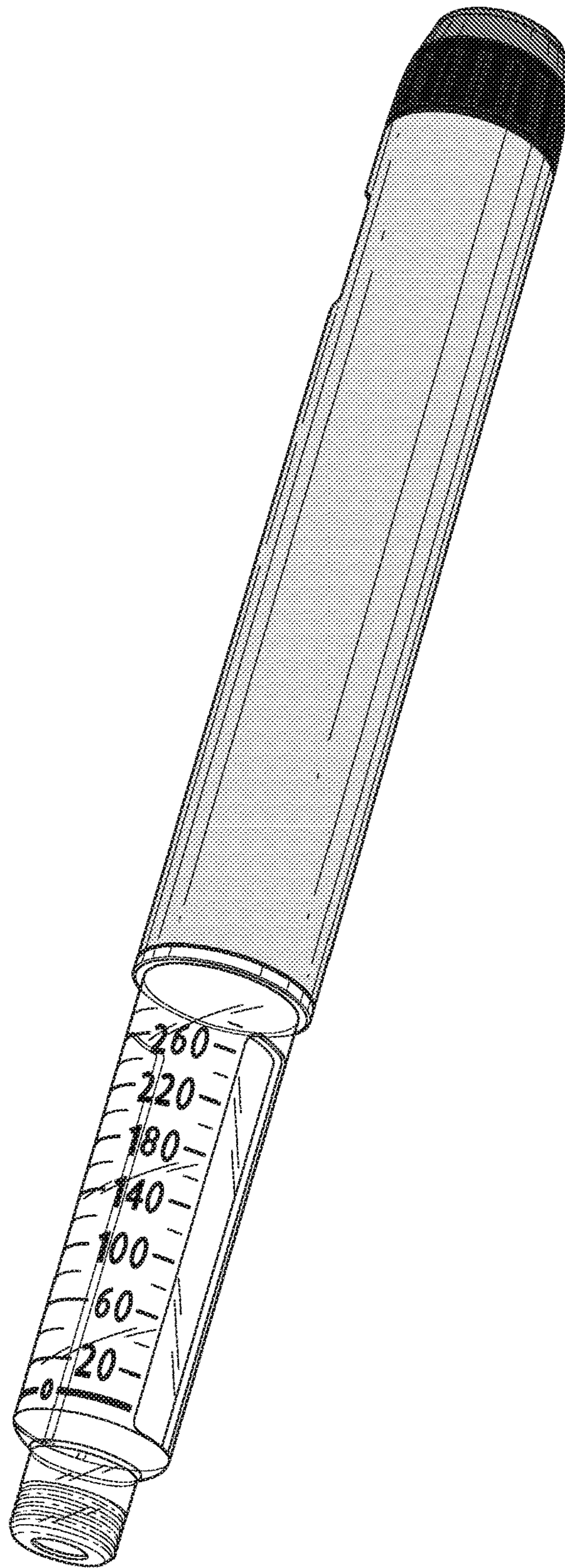


FIG. 1

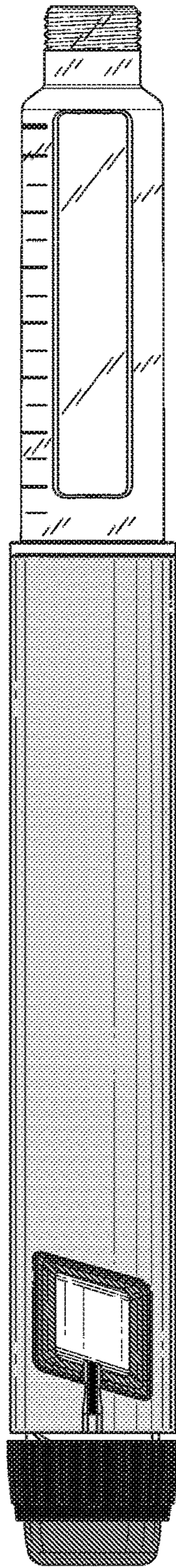


FIG. 2

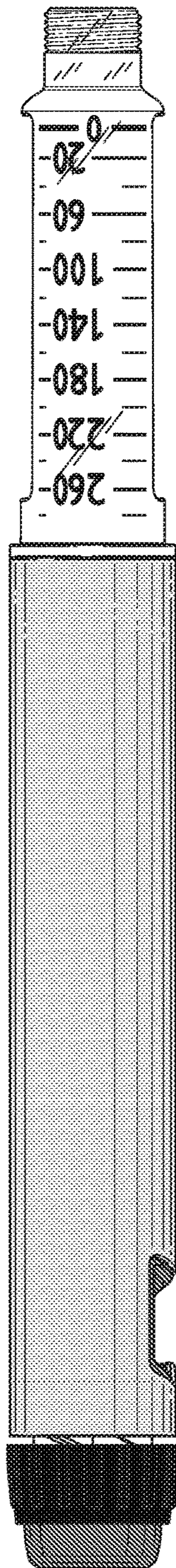


FIG. 3

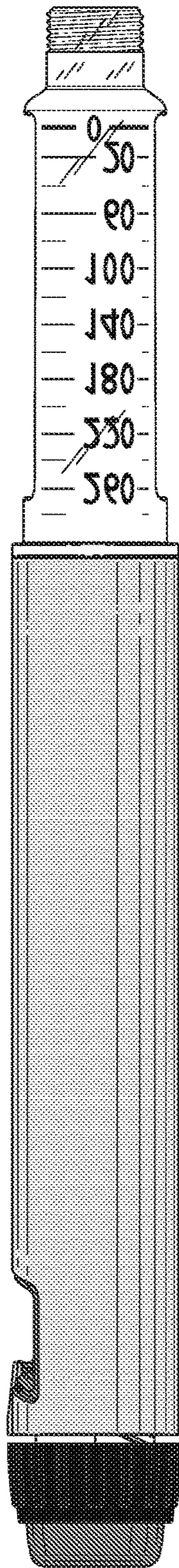


FIG. 4

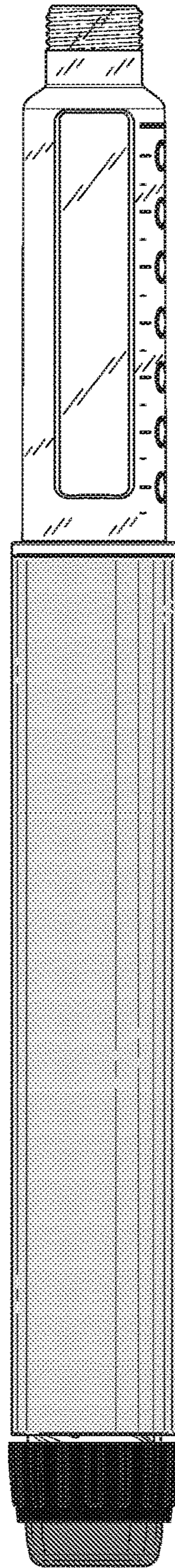


FIG. 5

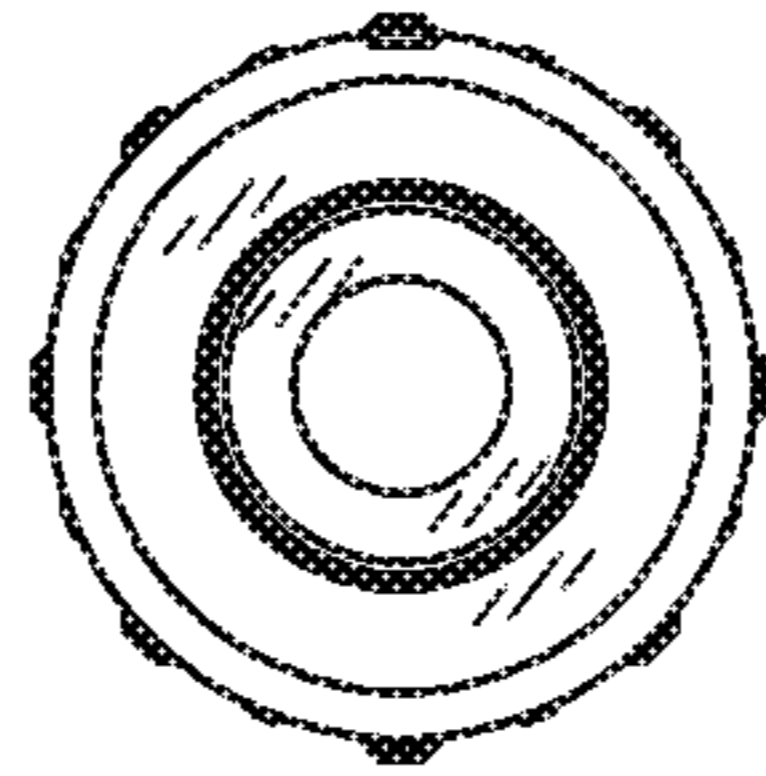


FIG. 6

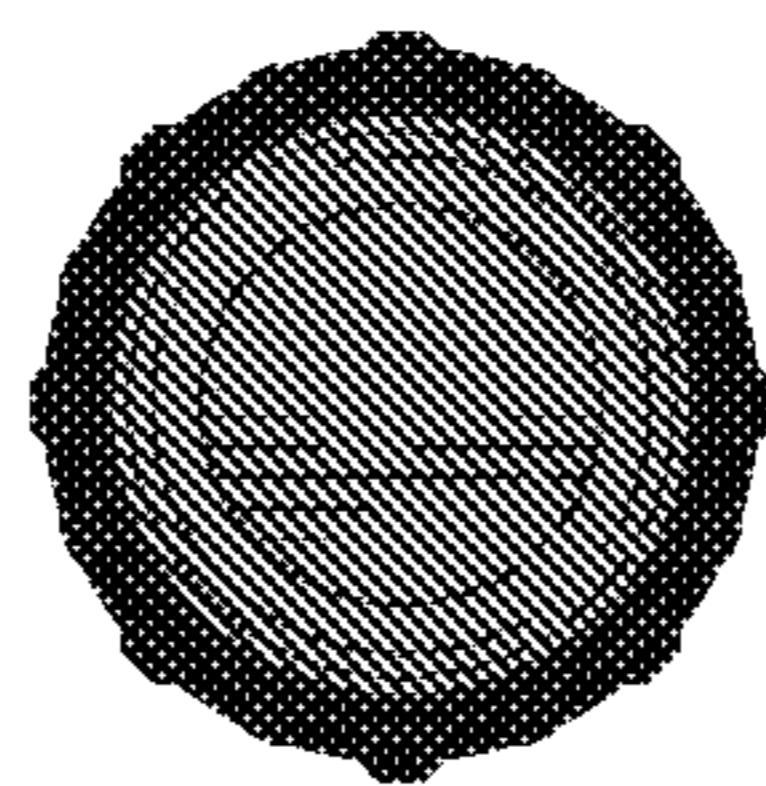


FIG. 7