



US00D819198S

(12) **United States Design Patent** (10) **Patent No.:** **US D819,198 S**
Boyaval et al. (45) **Date of Patent:** **** May 29, 2018**

(54) **AUTOINJECTOR WITH REMOVABLE CAP**

(71) Applicant: **AMGEN INC.**, Thousand Oaks, CA (US)

(72) Inventors: **Margaux Frances Boyaval**, Newbury Park, CA (US); **Sigrid Moeslinger**, New York, NY (US); **Masamichi Udagawa**, New York, NY (US)

(73) Assignee: **AMGEN INC.**, Thousand Oaks, CA (US)

(**) Term: **15 Years**

(21) Appl. No.: **29/562,742**

(22) Filed: **Apr. 28, 2016**

(51) **LOC (11) Cl.** **24-02**

(52) **U.S. Cl.**
USPC **D24/113**

(58) **Field of Classification Search**
USPC D24/112-114, 133, 186, 127-131; 606/181, 185; 604/264, 272, 115, 232, 604/187, 158, 164.08, 192, 263, 163, 181, 604/184, 198, 227; 600/101, 139, 143; 128/200.24, 207.14, 207.15; D19/115-123, 177, 193
CPC A61M 5/3156; A61M 5/31591; A61M 5/3155; A61M 5/3157; A61M 5/24; A61M 5/31501; A61M 5/31551; A61M 5/31585; A61M 2005/2407; A61M 2005/2492; A61M 2205/581; A61M 2205/582

See application file for complete search history.

(56) **References Cited**

U.S. PATENT DOCUMENTS

D321,472 S * 11/1991 Evans D24/130
D443,641 S * 6/2001 Mader D19/117

D622,374 S * 8/2010 Julian D24/113
D629,509 S * 12/2010 Julian D24/113
D697,205 S * 1/2014 Schneider D24/113
D721,802 S * 1/2015 Ohashi D24/113
D728,782 S * 5/2015 Dubuc D24/113
D757,255 S * 5/2016 Wohlfahrt D24/113
D773,648 S * 12/2016 Wohlfahrt D24/113
D774,641 S * 12/2016 Miggels D24/113
D780,909 S * 3/2017 Burkett D24/113
2008/0269692 A1 10/2008 James et al.
2014/0371684 A1* 12/2014 Holmqvist A61M 5/3202
604/198
2016/0263325 A1* 9/2016 Huthmacher A61M 5/3243

* cited by examiner

Primary Examiner — David Muller

Assistant Examiner — Nathan Johnston

(74) *Attorney, Agent, or Firm* — Marshall, Gerstein & Borun LLP

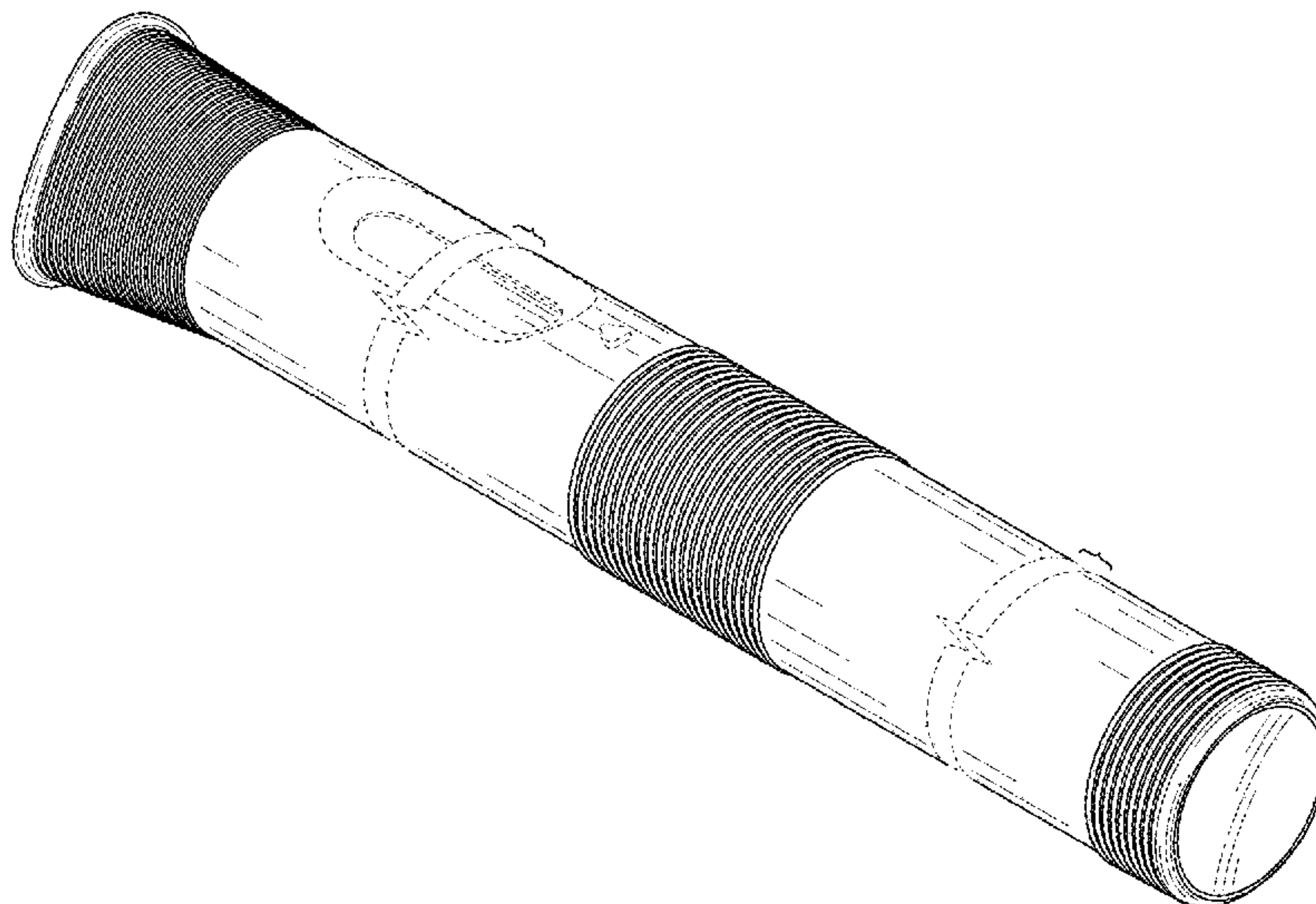
(57) **CLAIM**

The ornamental design for an autoinjector with removable cap, as shown and described.

DESCRIPTION

FIG. 1 is a perspective view showing our new design for an autoinjector with a removable cap, showing the removable cap disposed on the autoinjector;
FIG. 2 is a front elevation view thereof;
FIG. 3 is a rear elevation view thereof;
FIG. 4 is a left-side elevation view thereof;
FIG. 5 is a right-side elevation view thereof;
FIG. 6 is a top plan view thereof;
FIG. 7 is a bottom plan view thereof; and,
FIG. 8 is a perspective view showing the autoinjector with removable cap of FIG. 1 with the removable cap removed. The autoinjector is shown with symbolic breaks in its length. The appearance of any portion of the article between the break lines forms no part of the claimed design.

1 Claim, 4 Drawing Sheets



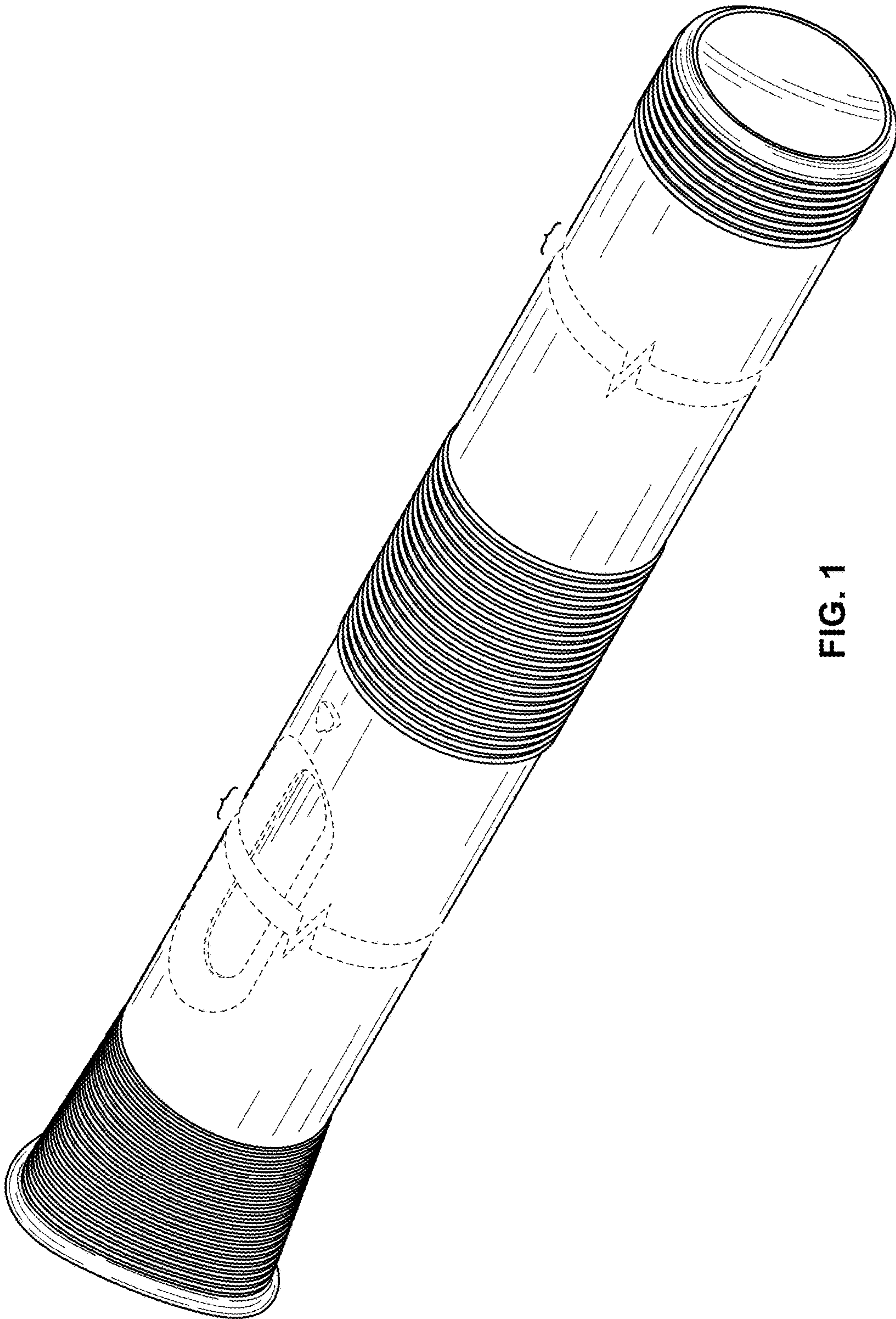


FIG. 1

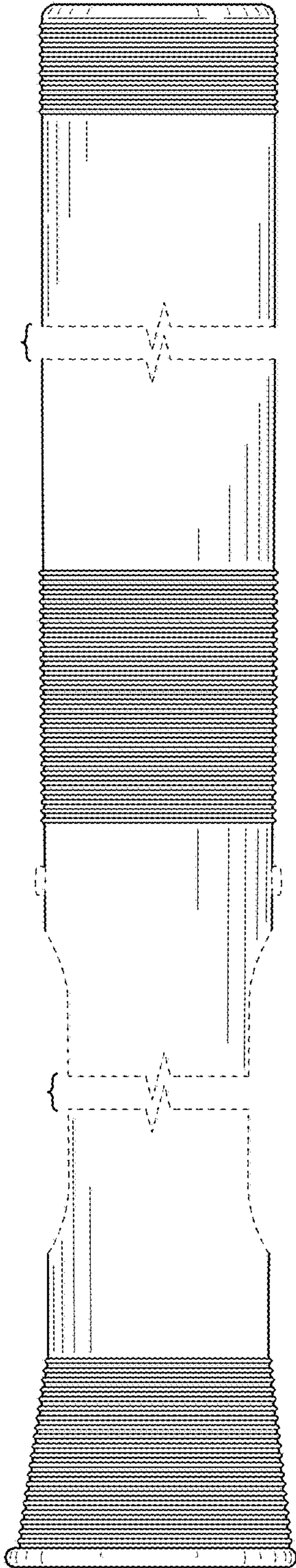


FIG. 2

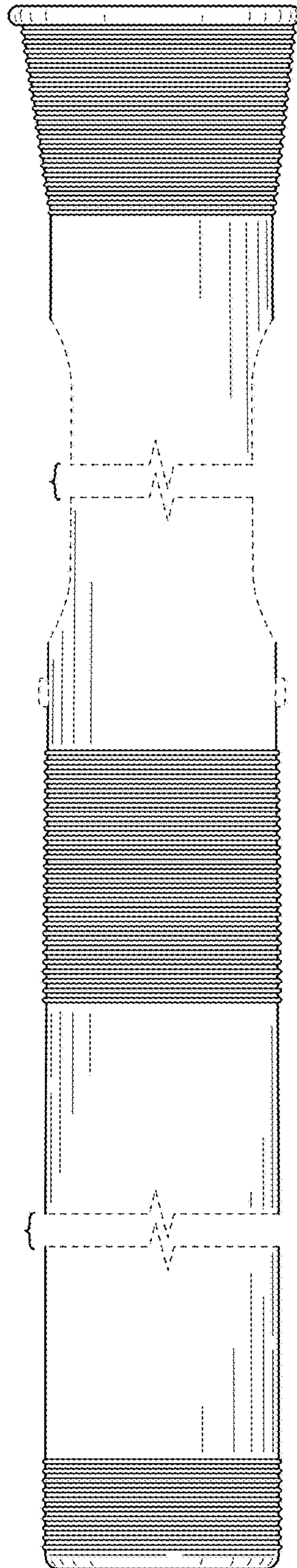


FIG. 3

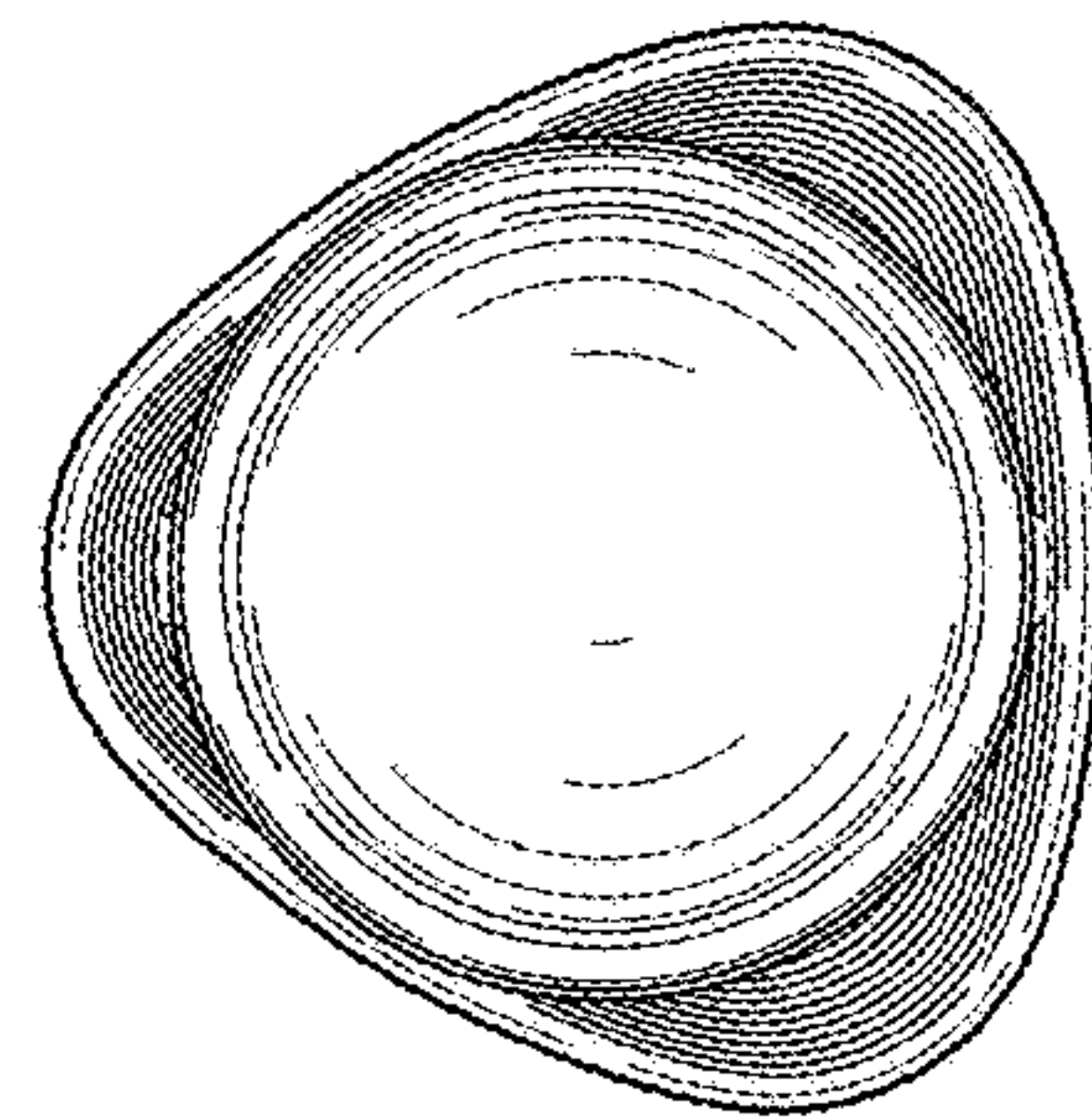


FIG. 4

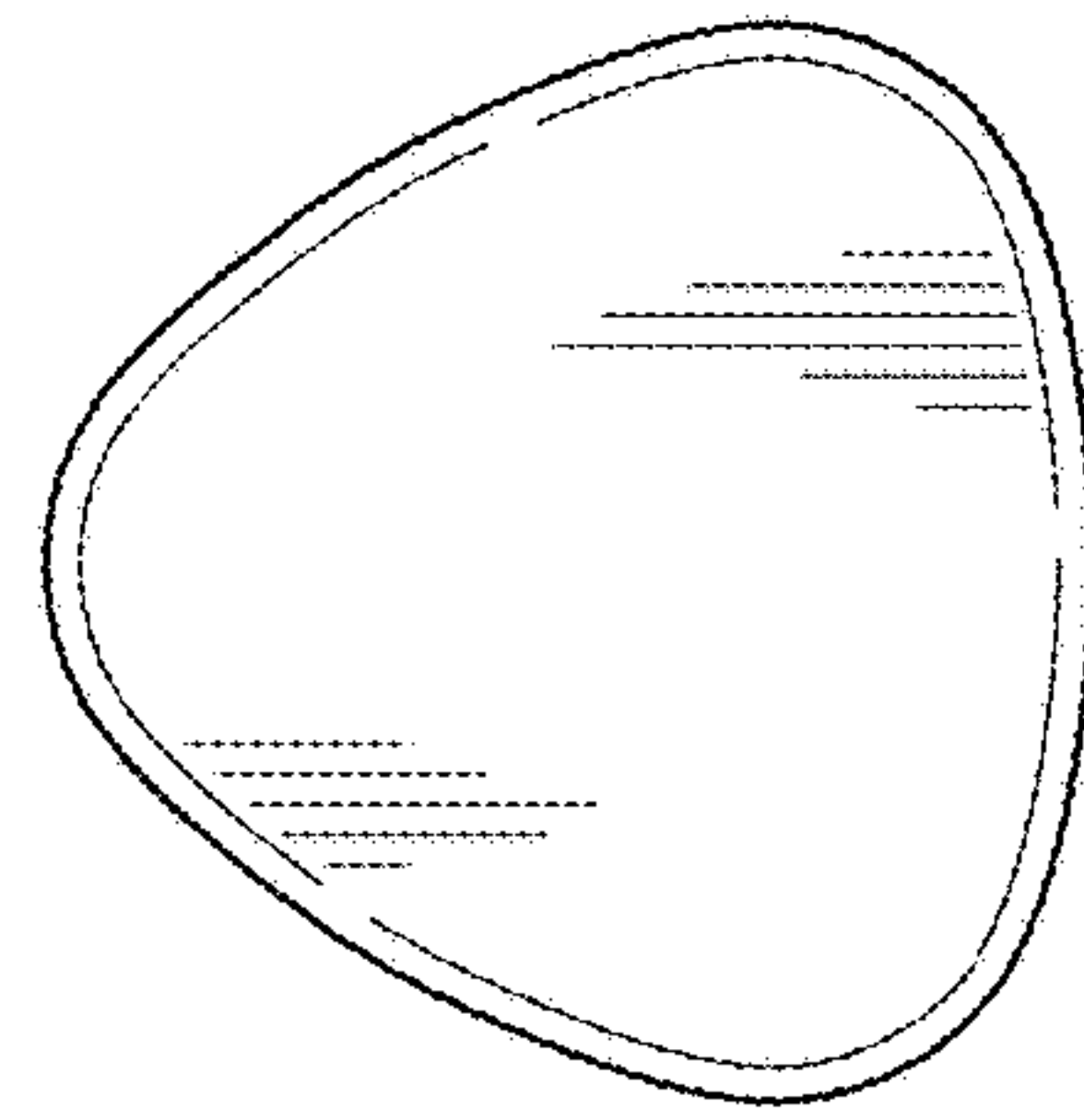


FIG. 5

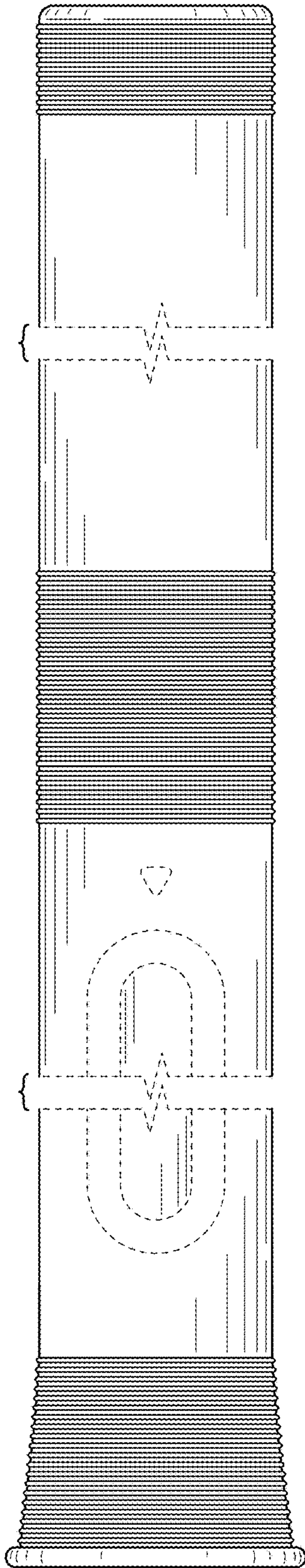


FIG. 6

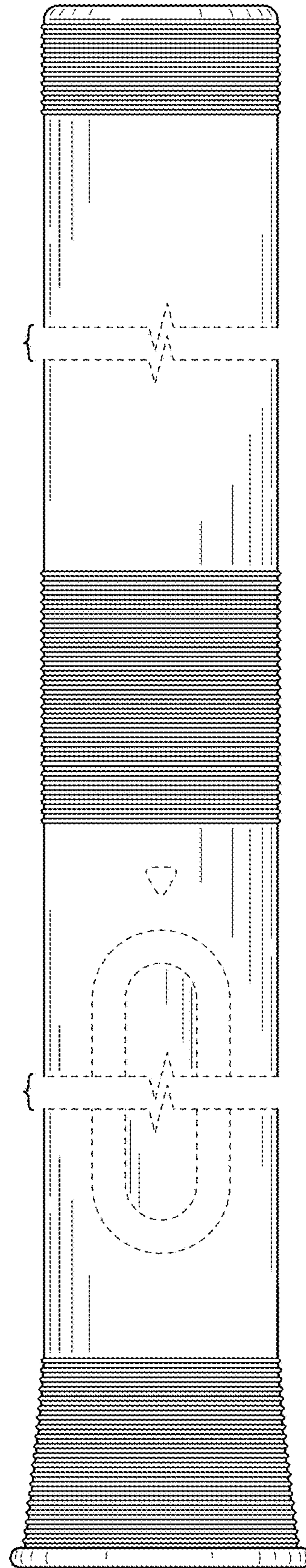


FIG. 7

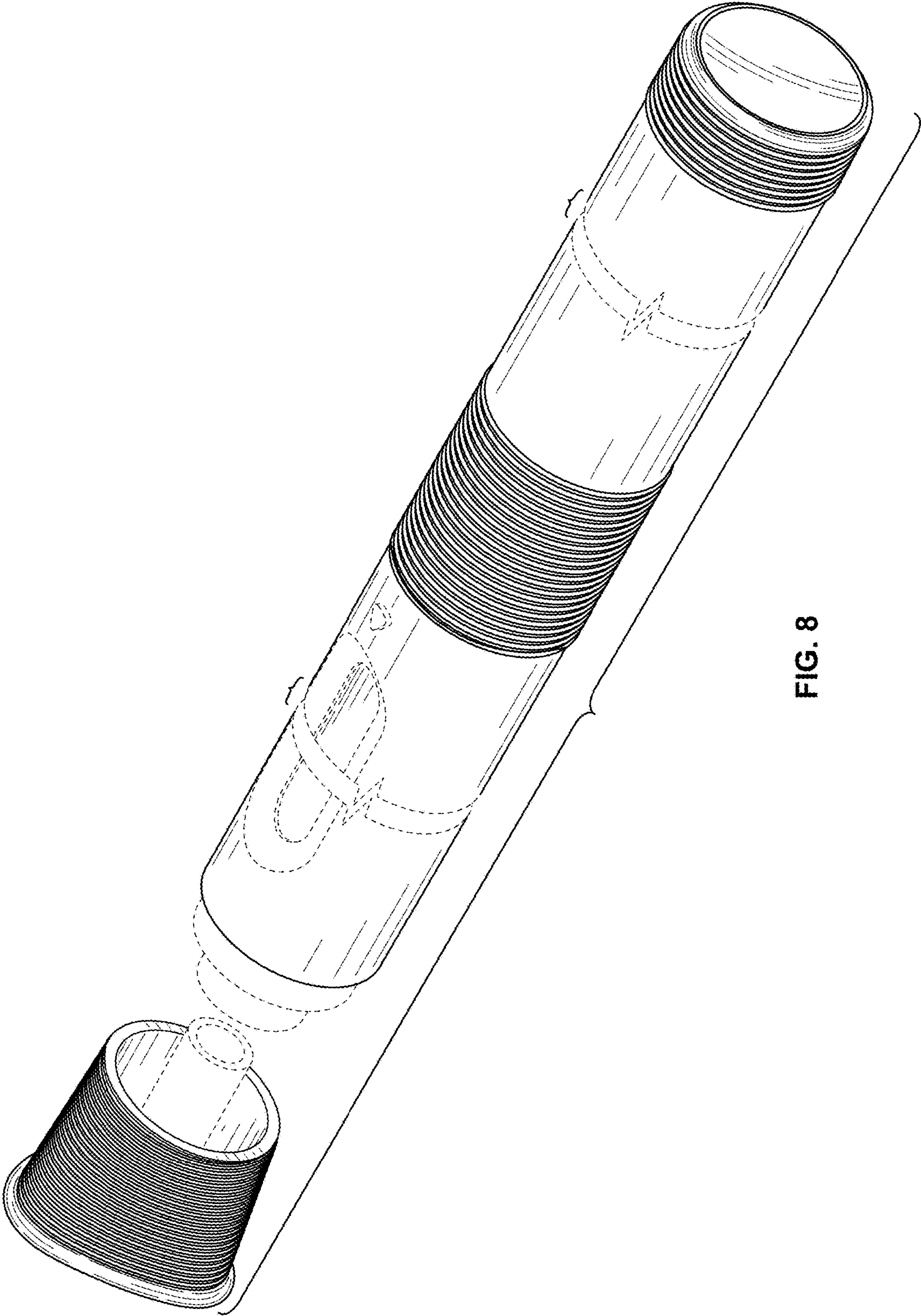


FIG. 8