



US00D819195S

(12) **United States Design Patent**
Larsen et al.

(10) **Patent No.:** **US D819,195 S**
(45) **Date of Patent:** **** May 29, 2018**

(54) **TUBING CARTRIDGE FOR AN
ULTRASONIC SURGICAL ASPIRATOR**

(71) Applicant: **Integra LifeSciences NR Ireland
Limited, Dublin (IE)**

(72) Inventors: **Eric Larsen**, North Chelmsford, MA
(US); **Matt Shinopulos**, Burlington,
MA (US); **Christopher Labak**,
Brookline, NH (US); **Robert
Ketelhohn**, Dunstable, MA (US)

(73) Assignee: **INTEGRA LIFESCIENCES NR
IRELAND LIMITED, Dublin (IE)**

(**) Term: **15 Years**

(21) Appl. No.: **29/580,596**

(22) Filed: **Oct. 11, 2016**

(51) **LOC (11) Cl.** **24-02**

(52) **U.S. Cl.**
USPC **D24/111**

(58) **Field of Classification Search**
USPC D24/144, 108, 111, 128; 417/477.2, 474;
604/30, 34, 118, 151, 6.11, 153, 540
CPC A61M 1/0058; A61M 1/0066; A61M
1/1006; A61M 1/1008; A61M 5/14;
A61M 5/142
See application file for complete search history.

(56) **References Cited**

U.S. PATENT DOCUMENTS

D367,323 S * 2/1996 Carr D24/111
6,319,223 B1 * 11/2001 Wortrich A61M 1/0058
604/30

6,468,059 B2 * 10/2002 Haser A61M 1/0072
417/477.2
D477,867 S * 7/2003 O'Mahony D24/108
6,595,957 B1 * 7/2003 Griffiths A61M 1/0058
137/206
D479,320 S * 9/2003 O'Mahony D24/108
D557,803 S * 12/2007 Muri D24/111
D557,804 S * 12/2007 Muri D24/111
D675,728 S * 2/2013 Tout D24/108
D699,836 S * 2/2014 Burger D24/111

* cited by examiner

Primary Examiner — Wan Laymon

(74) *Attorney, Agent, or Firm* — Middleton Reutlinger;
Robert H. Eichenberger; Chad D. Bruggeman

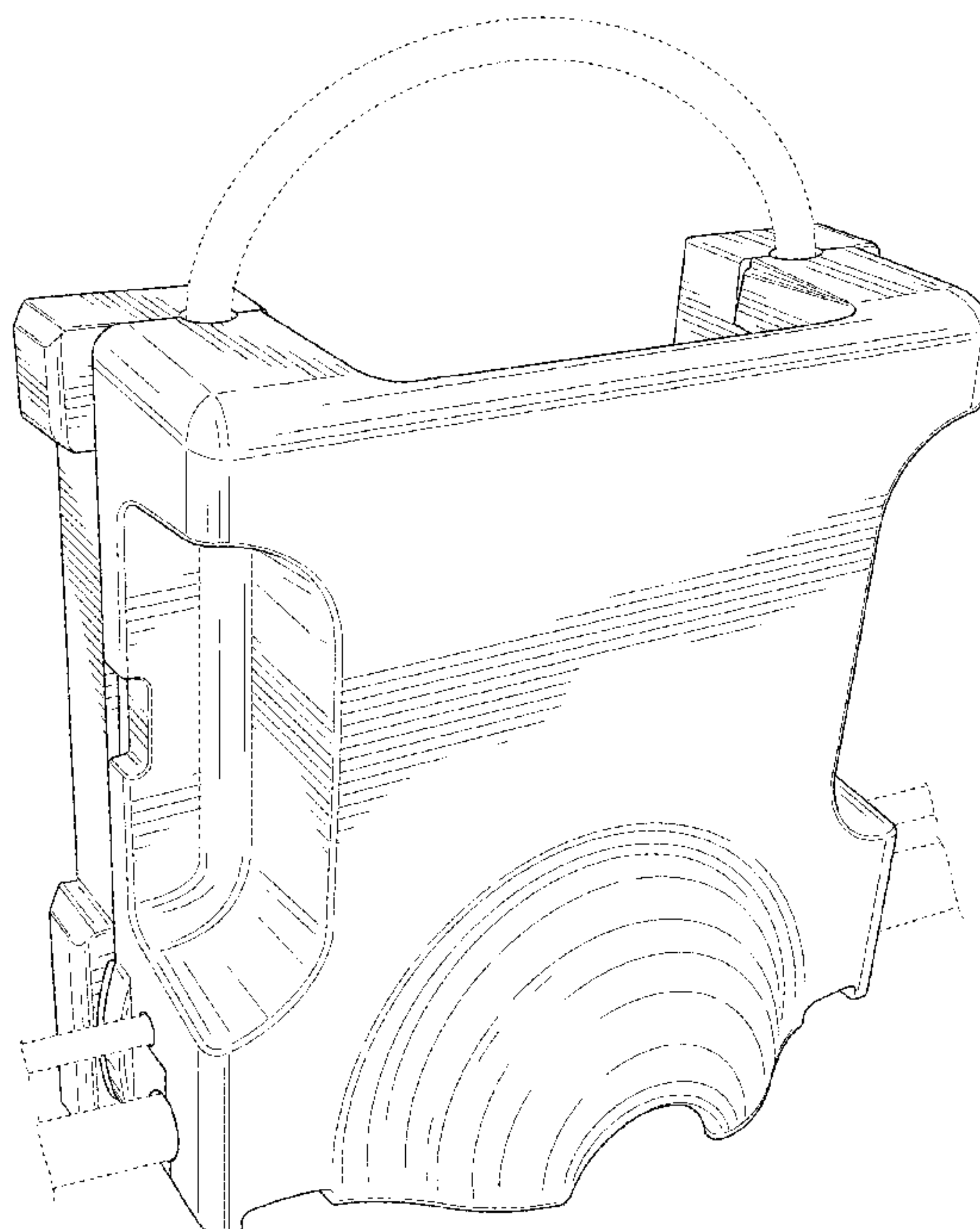
(57) **CLAIM**

The ornamental design for a tubing cartridge for an ultra-
sonic surgical aspirator, as shown and described.

DESCRIPTION

FIG. 1 is a perspective view of a tubing cartridge for an
ultrasonic surgical aspirator;
FIG. 2 is a left side elevational view thereof;
FIG. 3 is a right side elevational view thereof;
FIG. 4 is a front elevational view thereof;
FIG. 5 is a rear elevational view thereof;
FIG. 6 is a top plan view thereof; and,
FIG. 7 is a bottom plan view thereof.
The broken lines depict portions of the article that form no
part of the claimed design.

1 Claim, 7 Drawing Sheets



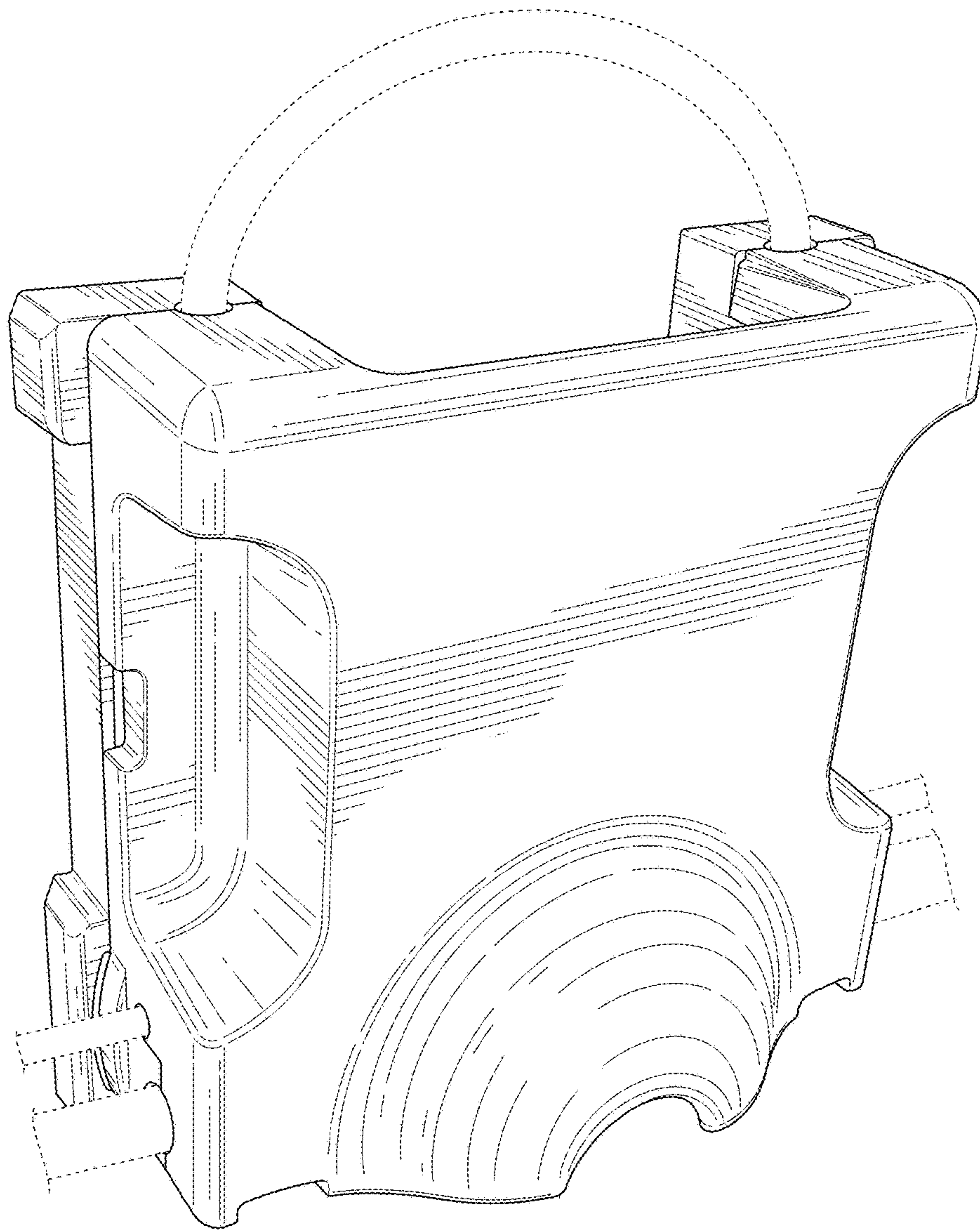


FIG. 1

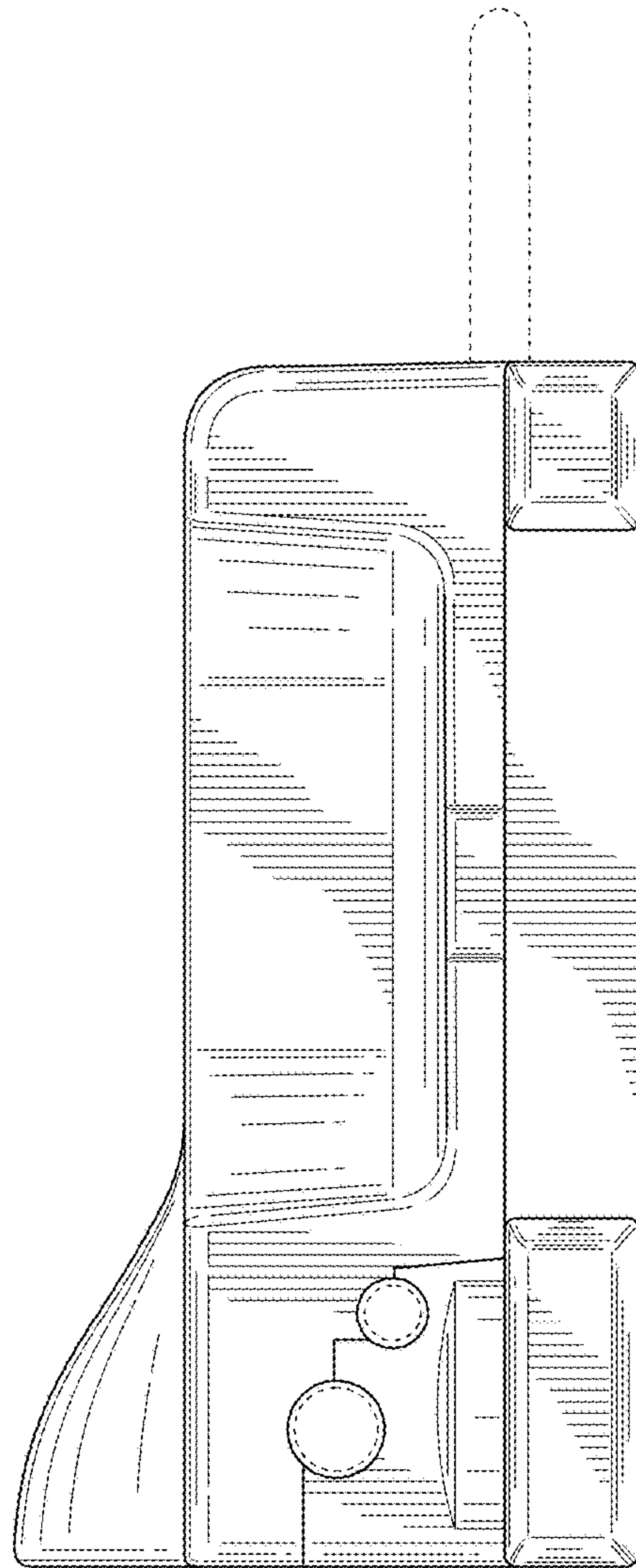


FIG. 2

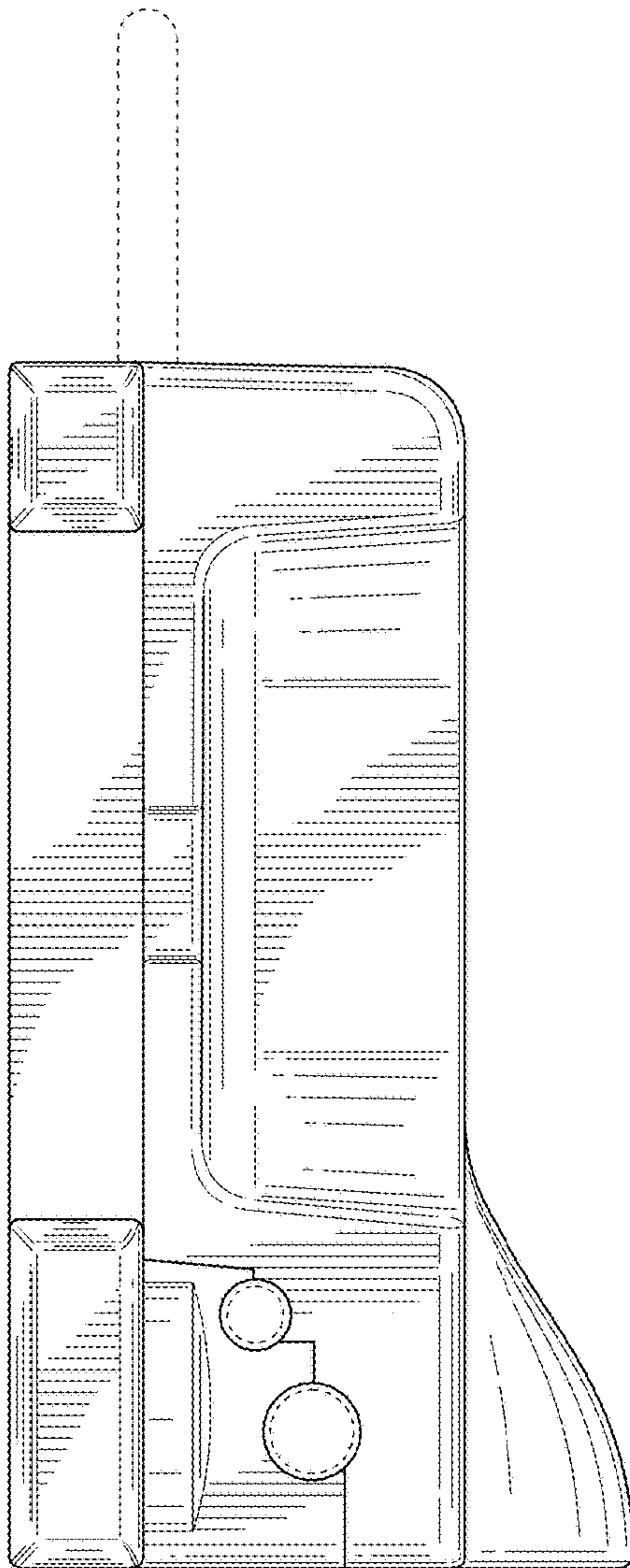


FIG. 3

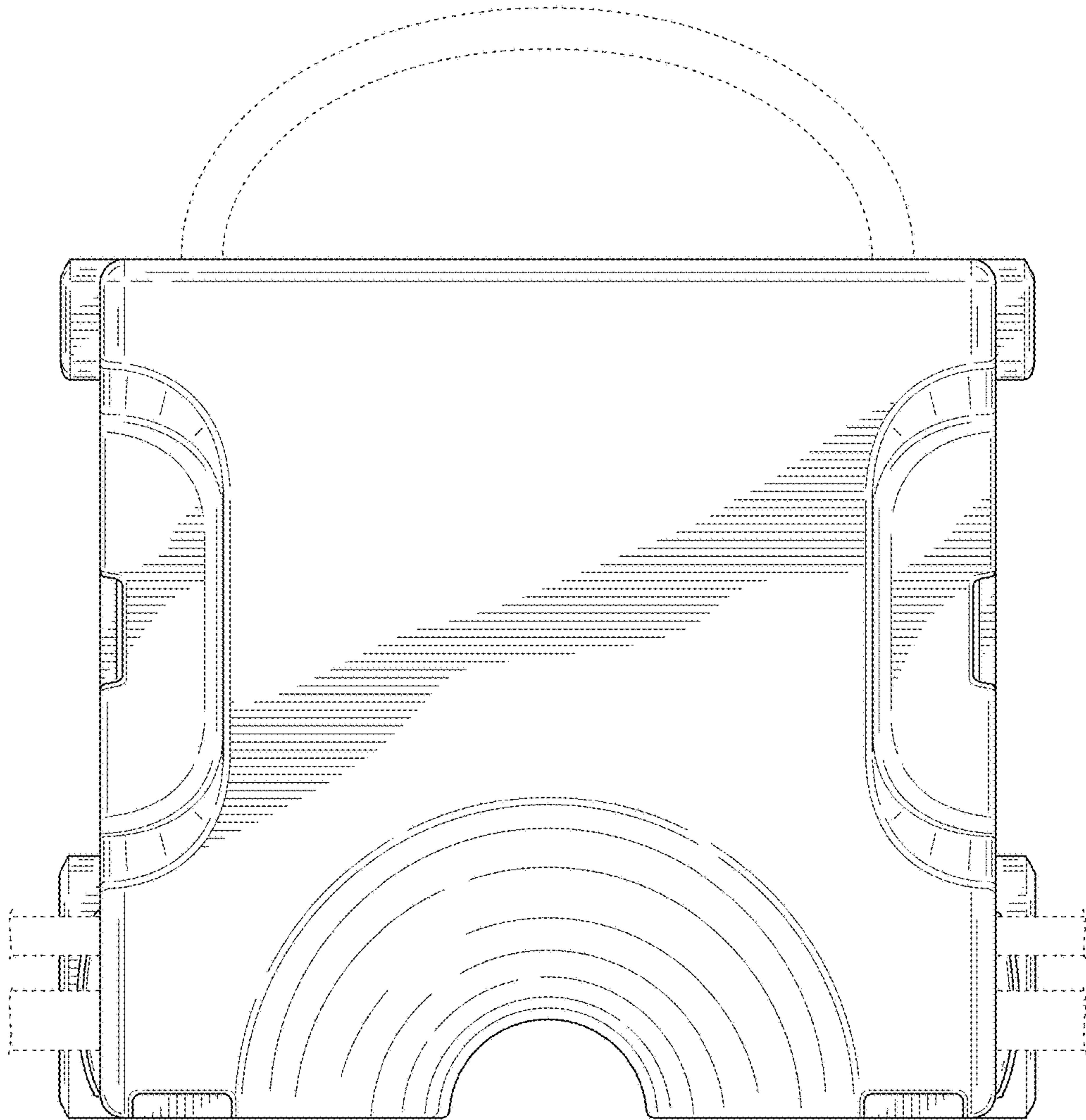


FIG. 4

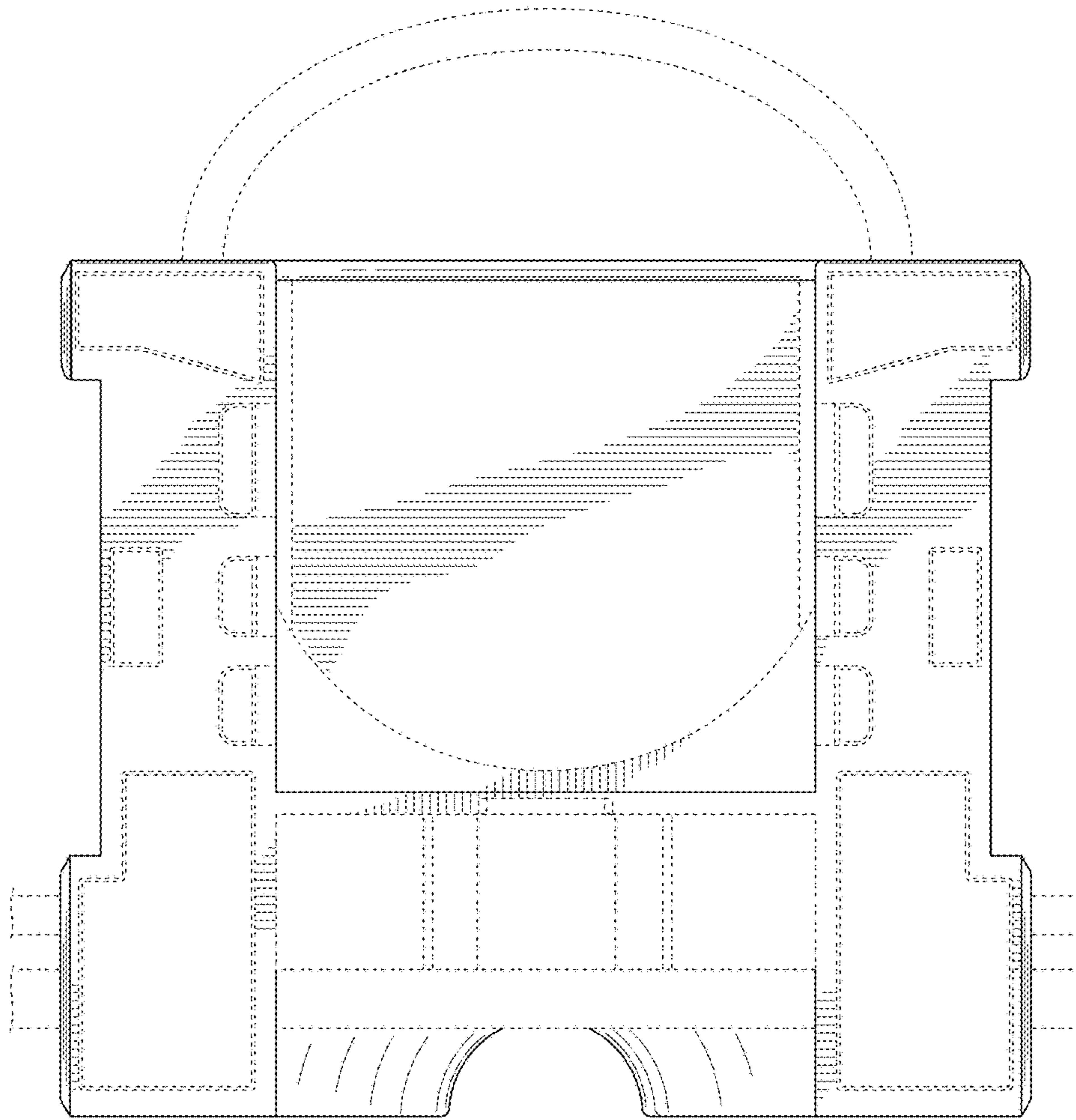


FIG. 5

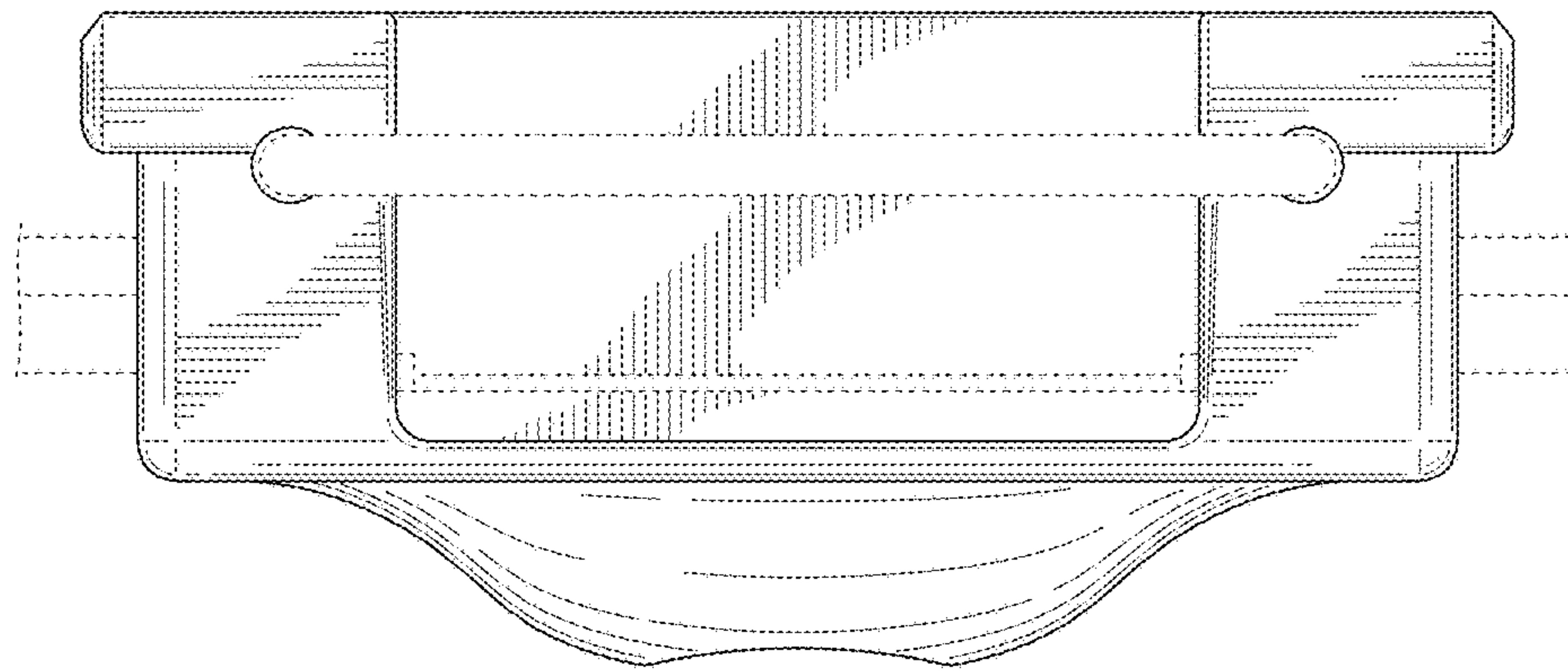


FIG. 6

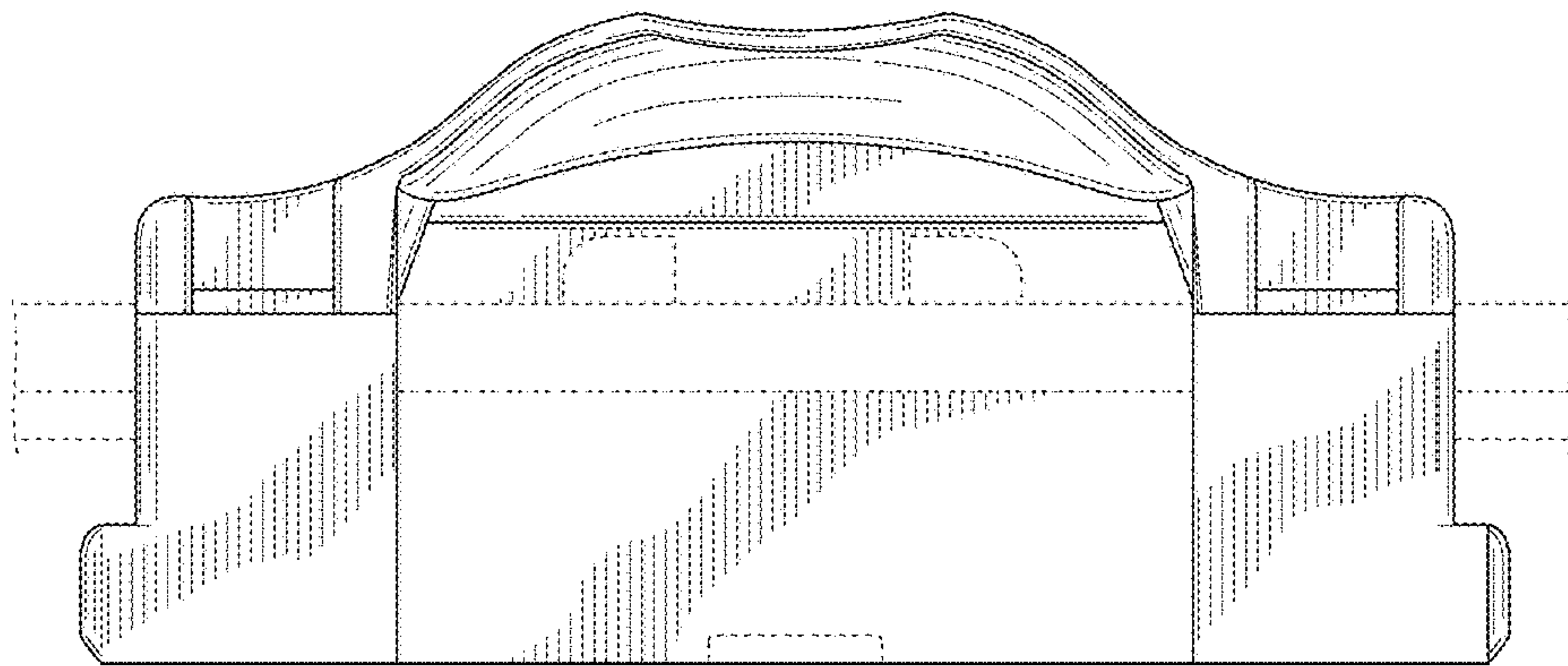


FIG. 7