



US00D819190S

(12) **United States Design Patent** (10) **Patent No.:** **US D819,190 S**
Cormier et al. (45) **Date of Patent:** **** May 29, 2018**

(54) **OZONE TREATMENT DEVICE**
(71) Applicant: **SoClean, Inc.**, Oxford, MA (US)
(72) Inventors: **Jessica L. Cormier**, Woodstock Valley, CT (US); **William E. Olszta**, Webster, MA (US)

D476,423 S 6/2003 Picot et al.
6,576,190 B1 * 6/2003 Park A61G 7/05784
250/504 R
D487,315 S 3/2004 Picot et al.
6,752,151 B2 6/2004 Hill
(Continued)

(73) Assignee: **SoClean, Inc.**, Oxford, MA (US)
(**) Term: **15 Years**

FOREIGN PATENT DOCUMENTS
CN 105031693 11/2015
WO 03068274 8/2003
(Continued)

(21) Appl. No.: **29/562,755**

(22) Filed: **Apr. 28, 2016**

(51) **LOC (11) Cl.** **23-04**

(52) **U.S. Cl.**
USPC **D23/355**

(58) **Field of Classification Search**
USPC D24/216, 227, 229; 422/28
CPC ... A61L 2/202; A61L 2/10; A61L 2/26; A61L
2202/24

See application file for complete search history.

OTHER PUBLICATIONS
Office Action dated Sep. 21, 2017, issued in U.S. Appl. No. 15/142,085, 9 pages.
(Continued)

Primary Examiner — David Muller
(74) *Attorney, Agent, or Firm* — Grossman Tucker Perreault & Pfleger PLLC

(56) **References Cited**

U.S. PATENT DOCUMENTS

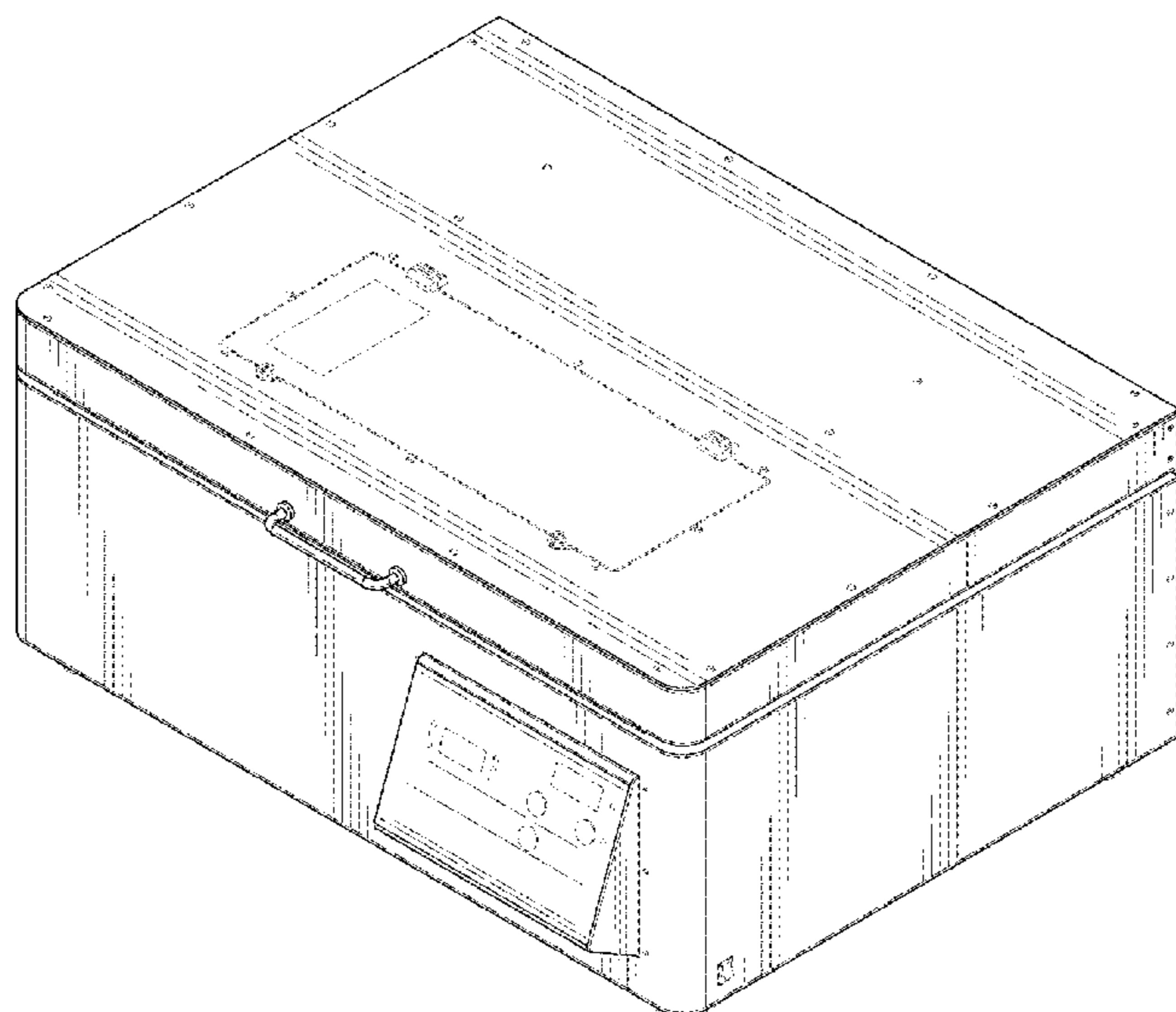
- 4,019,986 A 4/1977 Burris et al.
- 4,035,657 A 7/1977 Carlson
- 4,207,291 A 6/1980 Byrd et al.
- 4,517,159 A 5/1985 Karlson
- D295,074 S 4/1988 Jerge et al.
- 4,743,275 A * 5/1988 Flanagan A61L 9/22
361/226
- 4,787,980 A 11/1988 Ackermann et al.
- 5,207,237 A 5/1993 Langford
- 5,508,006 A 4/1996 Gabele et al.
- D371,203 S 6/1996 Deeds
- D390,645 S * 2/1998 Hanrahan D23/314
- 5,761,069 A 6/1998 Weber et al.
- 6,276,304 B1 8/2001 Tai
- 6,280,633 B1 8/2001 Conrad et al.
- 6,379,617 B1 4/2002 Spickermann
- 6,379,632 B1 4/2002 Kinoshita et al.

(57) **CLAIM**
The ornamental design of an ozone treatment device, substantially as shown and described.

DESCRIPTION

FIG. 1 is a top perspective view of an ozone treatment device, showing the new design;
FIG. 2 is a front elevational view thereof;
FIG. 3 is a back elevational view thereof;
FIG. 4 is a left side elevational view thereof;
FIG. 5 is a right side elevational view thereof;
FIG. 6 is a top plan view thereof; and,
FIG. 7 is a bottom plan view thereof.
The broken lines are included for the purpose of illustrating the unclaimed portions of the article and form no part of the claim.

1 Claim, 7 Drawing Sheets



(56)

References Cited

U.S. PATENT DOCUMENTS

7,022,225 B1 4/2006 Clawson et al.
 7,520,910 B2* 4/2009 Tilley A61L 9/122
 55/350.1
 7,527,603 B2 5/2009 An
 7,676,276 B2 3/2010 Karell
 7,767,168 B2 8/2010 Namespetra et al.
 7,794,522 B2 9/2010 Bliss et al.
 7,845,350 B1 12/2010 Kayyali et al.
 8,051,853 B2 11/2011 Berthon-Jones
 8,146,946 B1 4/2012 Edmond
 8,176,771 B2* 5/2012 Onishi A61B 1/00057
 422/28
 8,431,076 B2* 4/2013 Fraundorfer A61L 2/183
 134/25.1
 D692,155 S 10/2013 Matoba et al.
 8,815,164 B1* 8/2014 Al Azemi A61L 9/03
 422/120
 8,915,380 B2* 12/2014 Sowerby B01D 17/0211
 210/521
 9,022,247 B2* 5/2015 Engimann A61L 2/16
 206/459.1
 D733,315 S * 6/2015 Lui D24/227
 D733,316 S * 6/2015 Lui D24/227
 D748,280 S * 1/2016 Lui D24/227
 D761,142 S * 7/2016 Golta D10/81
 D776,290 S 1/2017 Wan et al.
 2003/0000966 A1 1/2003 Shelton
 2003/0063997 A1 4/2003 Fryer et al.
 2003/0065297 A1 4/2003 Davis et al.
 2004/0251125 A1 12/2004 Yu
 2005/0017380 A1 1/2005 Namespetra et al.

2005/0019237 A1 1/2005 Riley
 2005/0186108 A1 8/2005 Fields
 2005/0220665 A1 10/2005 Ding
 2006/0130834 A1 6/2006 Chen
 2006/0272682 A1 12/2006 Langford
 2007/0031778 A1 2/2007 Helfenbein et al.
 2007/0065335 A1 3/2007 Bedard et al.
 2009/0267242 A1 10/2009 Nichols et al.
 2010/0111792 A1 5/2010 Nelson
 2012/0164025 A1 6/2012 Stockley, III et al.
 2012/0227745 A1 9/2012 Arcilla et al.
 2013/0239994 A1 9/2013 Przyjemski
 2015/0004061 A1 1/2015 Kain et al.
 2017/0224857 A1 8/2017 Leyva et al.
 2017/0225985 A1 8/2017 Leyva et al.

FOREIGN PATENT DOCUMENTS

WO 2017189915 11/2017
 WO 2017189916 11/2017

OTHER PUBLICATIONS

Notice of Allowance dated Oct. 13, 2017, issued in U.S. Appl. No. 15/481,919, 7 pages.
 International Search Report and Written Opinion dated Aug. 16, 2017, issued in PCT Patent Application No. PCT/US17/29950, 11 pages.
 International Search Report and Written Opinion dated Aug. 2, 2017, issued in PCT Patent Application No. PCT/US17/29949, 11 pages.

* cited by examiner

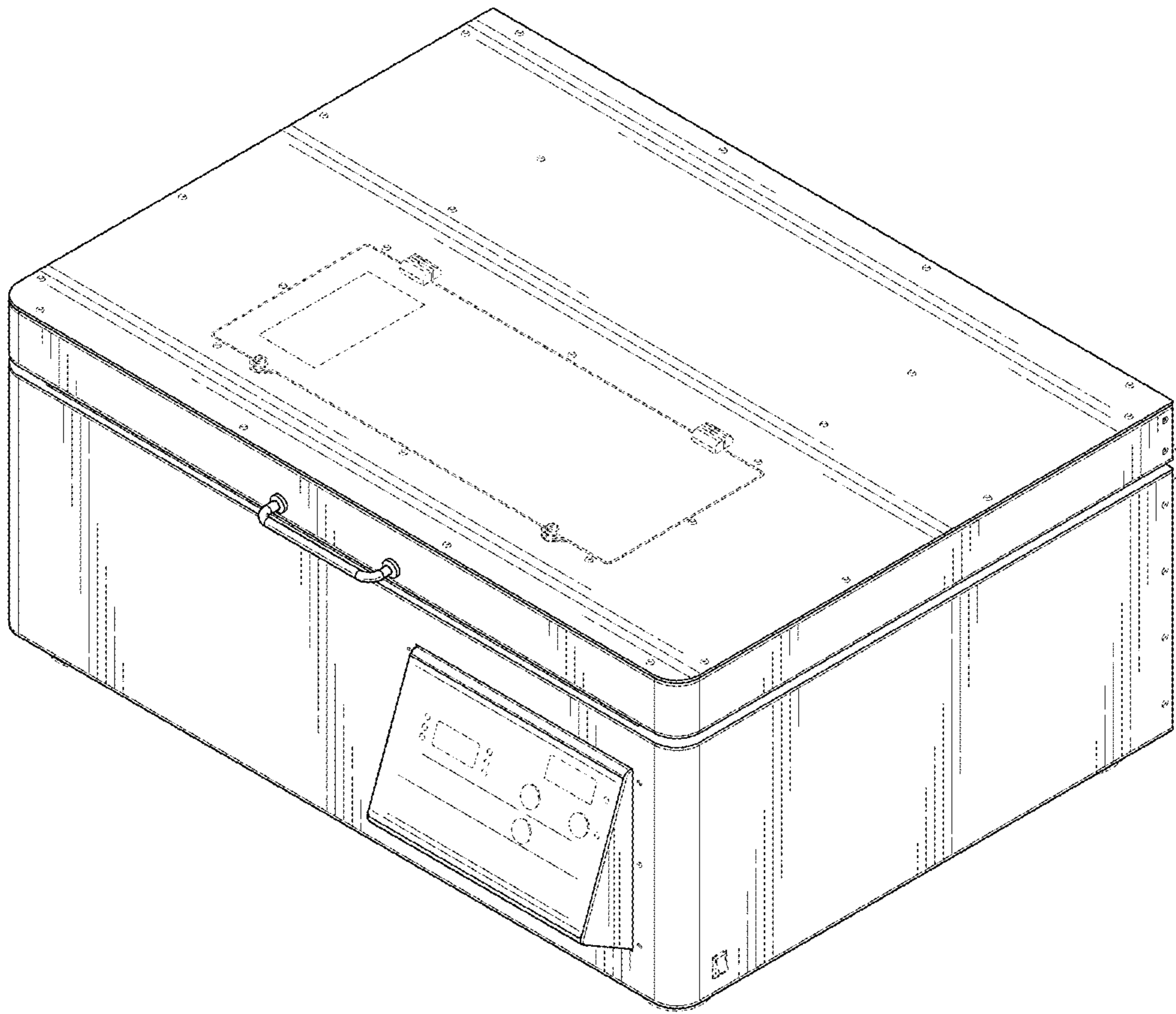


FIG. 1

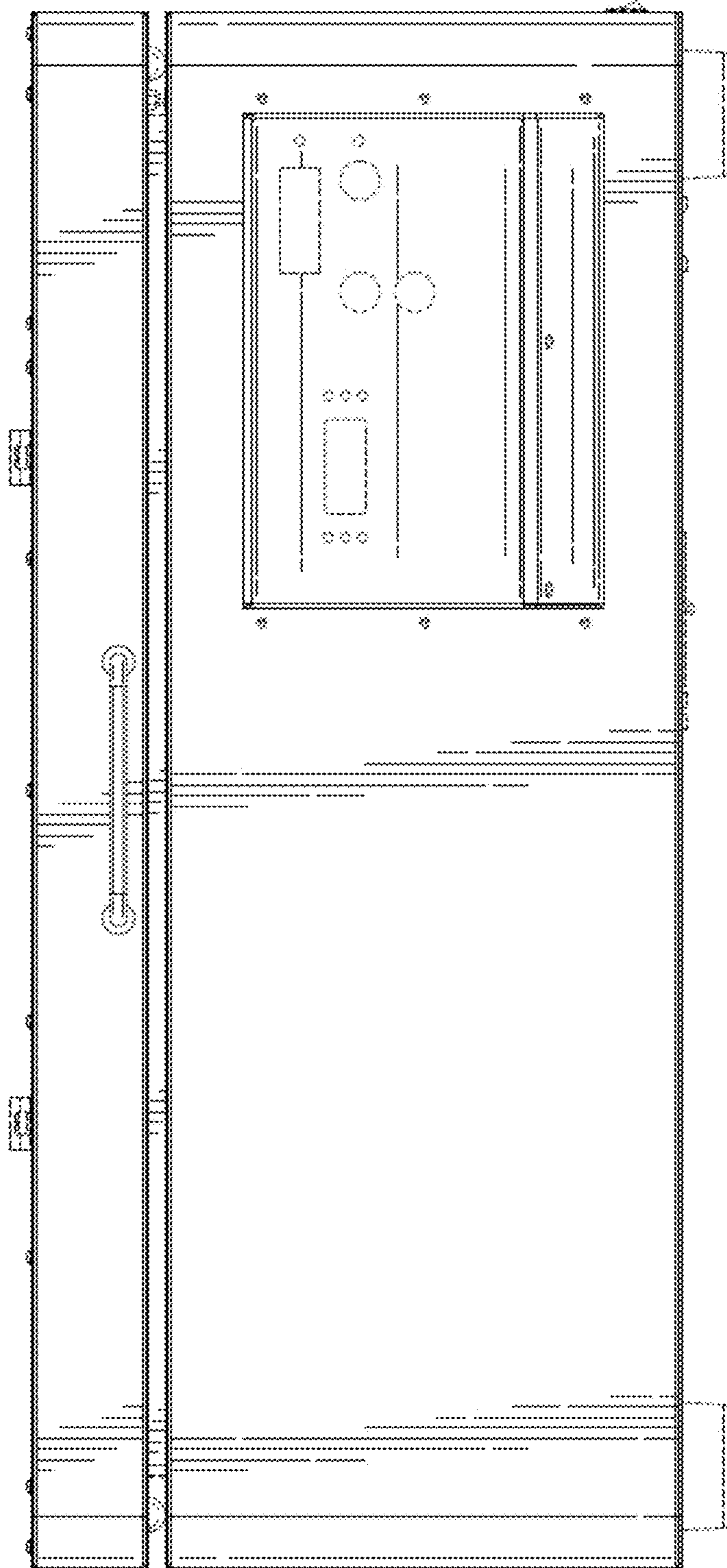


FIG. 2

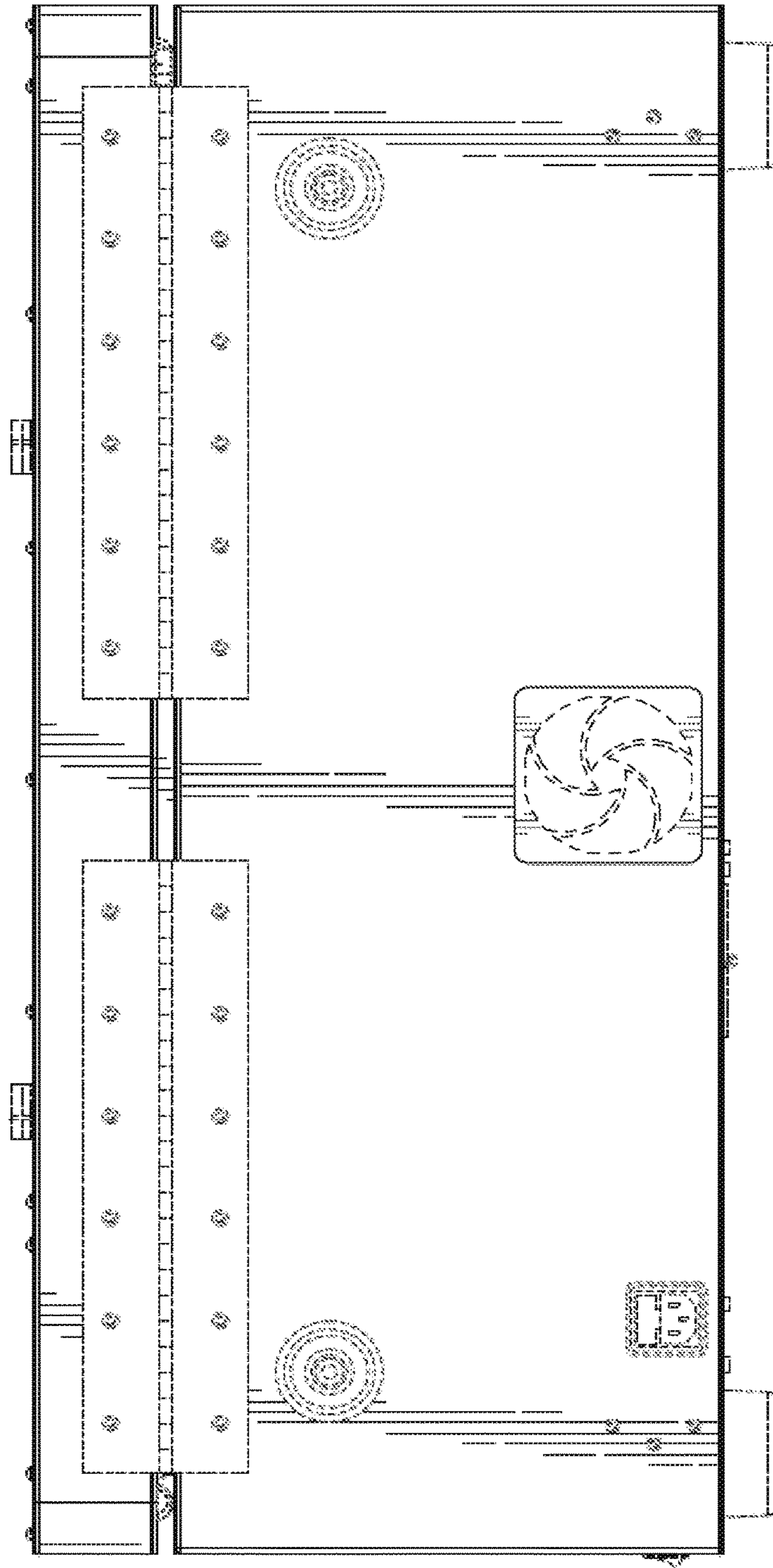


FIG. 3

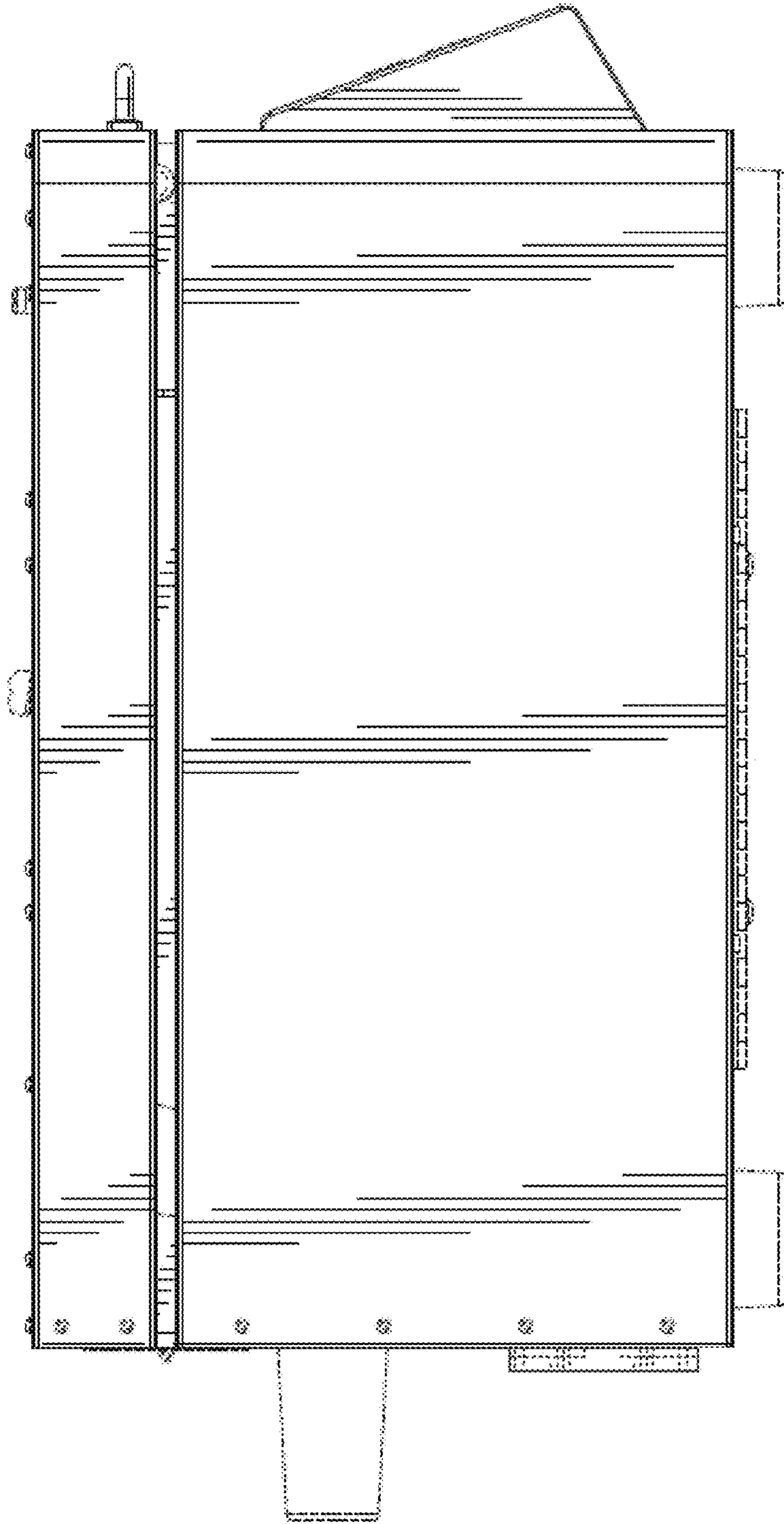


FIG. 4

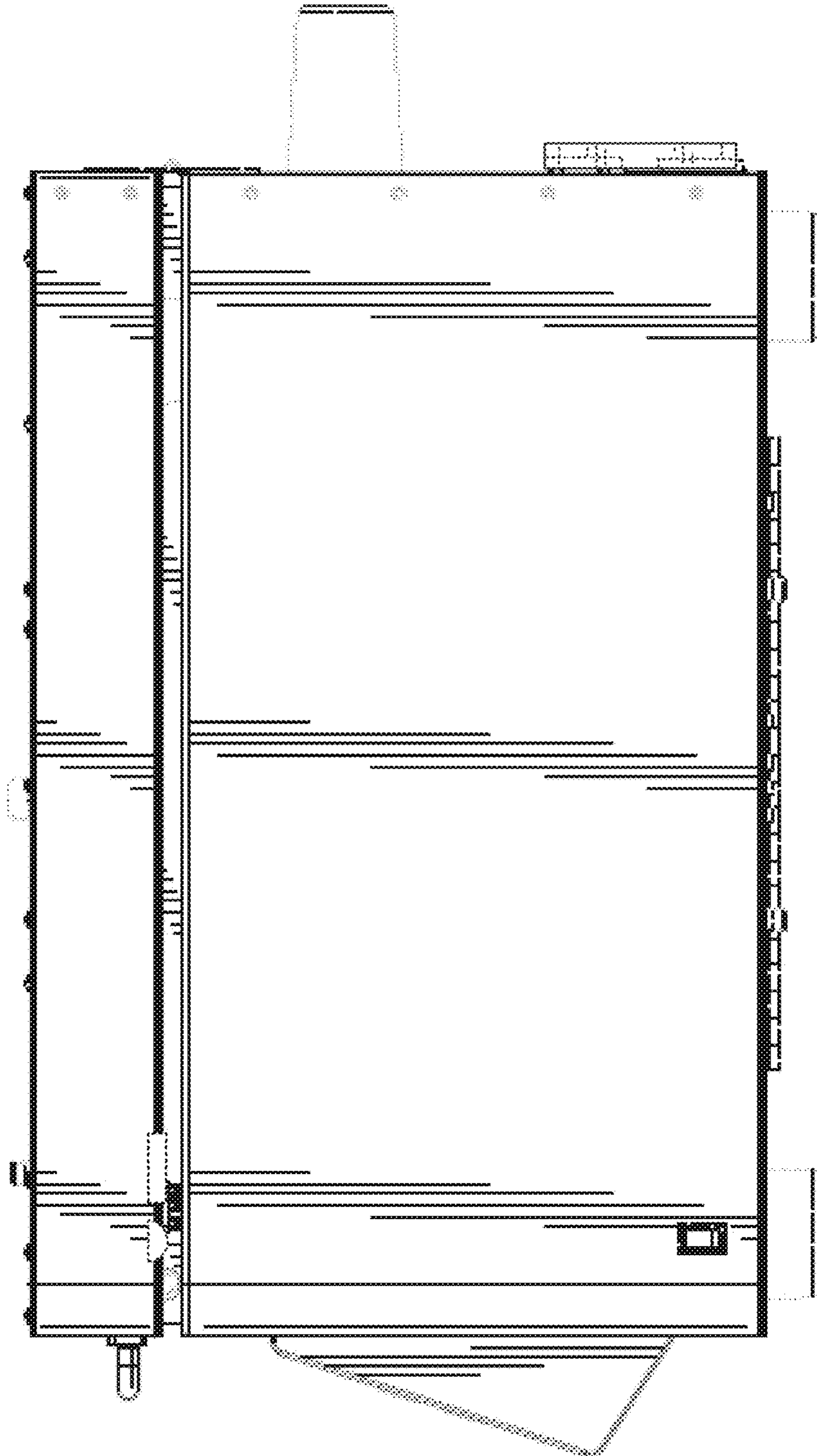


FIG. 5

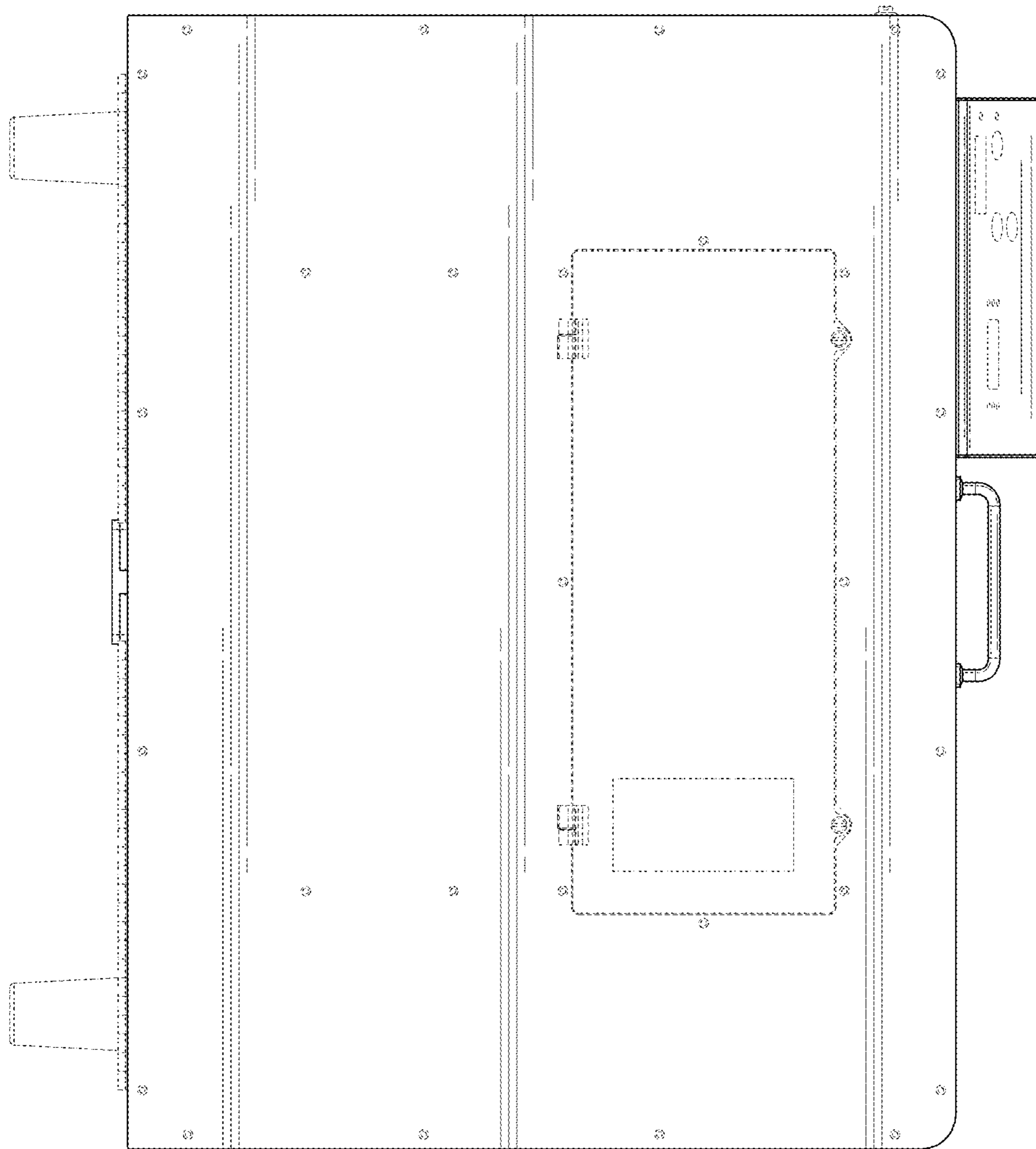


FIG. 6

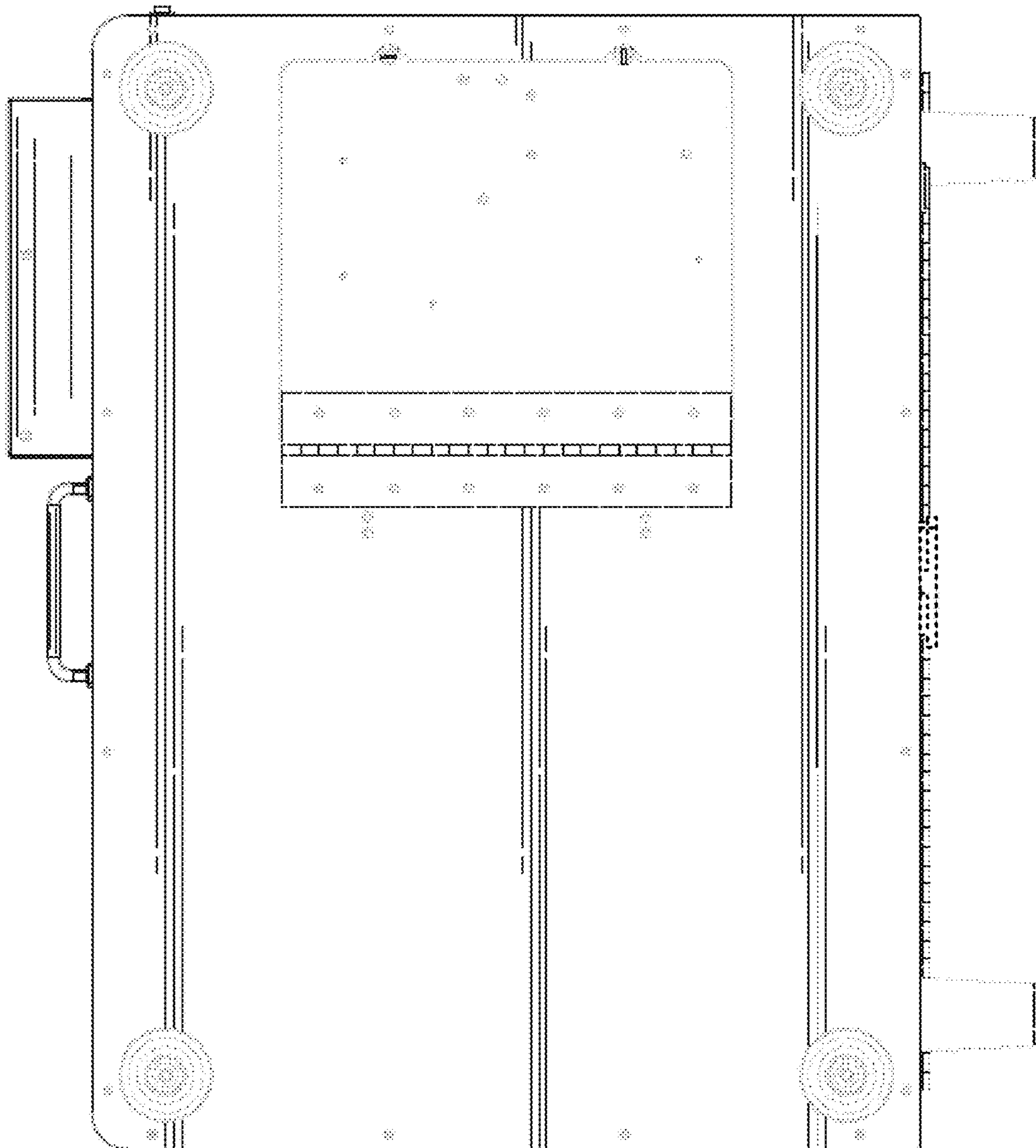


FIG. 7