



US00D819188S

(12) **United States Design Patent** (10) **Patent No.:** **US D819,188 S**  
**Dobi** (45) **Date of Patent:** **\*\* May 29, 2018**

(54) **BOILER LOW WATER CUTOFF/PUMP CONTROLLER PROBE**

(71) Applicant: **Pityu Controls Inc.**, Edmonton (CA)

(72) Inventor: **Stevan Dobi**, Edmonton (CA)

(73) Assignee: **Pityu Controls Inc.**, Edmonton (CA)

(\*\*) Term: **15 Years**

(21) Appl. No.: **29/585,007**

(22) Filed: **Nov. 18, 2016**

(51) **LOC (11) Cl.** ..... **23-03**

(52) **U.S. Cl.**  
USPC ..... **D23/322**

(58) **Field of Classification Search**  
USPC ..... D23/233, 235, 241, 242, 245, 246, 249,  
D23/322, 314, 318, 319, 321; 137/312,  
137/420, 392, 415, 558, 487.5, 451 R,  
137/290 R; 122/448.1, 451 R, 448.3, 504,  
122/451.2, 14.22, 14.3, 382, 451.1, 507,  
(Continued)

(56) **References Cited**

U.S. PATENT DOCUMENTS

- 1,455,211 A \* 5/1923 Kelly ..... F22D 5/10  
137/415
- 4,684,061 A \* 8/1987 Subherwal ..... F23N 1/085  
236/20 R
- D367,703 S \* 3/1996 Myers ..... D23/322  
(Continued)

*Primary Examiner* — Cynthia Ramirez

*Assistant Examiner* — Gino Colan

(74) *Attorney, Agent, or Firm* — Christensen O'Connor  
Johnson Kindness PLLC

(57) **CLAIM**

The ornamental design for a boiler low water cutoff/pump controller probe, as shown and described.

**DESCRIPTION**

FIG. 1 is a first perspective view of a first and second embodiment of a boiler low water cutoff/pump controller probe showing my new design;

FIG. 2 is a second perspective view of the first and second embodiment;

FIG. 3 is a right side elevation view of the first embodiment;

FIG. 4 is a right side elevation view of the second embodiment;

FIG. 5 is a front elevation view of the first and second embodiment;

FIG. 6 is a left side elevation view of the first embodiment;

FIG. 7 is a left side elevation view of the second embodiment;

FIG. 8 is a rear elevation view of the first embodiment;

FIG. 9 is a rear elevation view of the second embodiment;

FIG. 10 is a top plan view of the first embodiment;

FIG. 11 is a top plan view of the second embodiment;

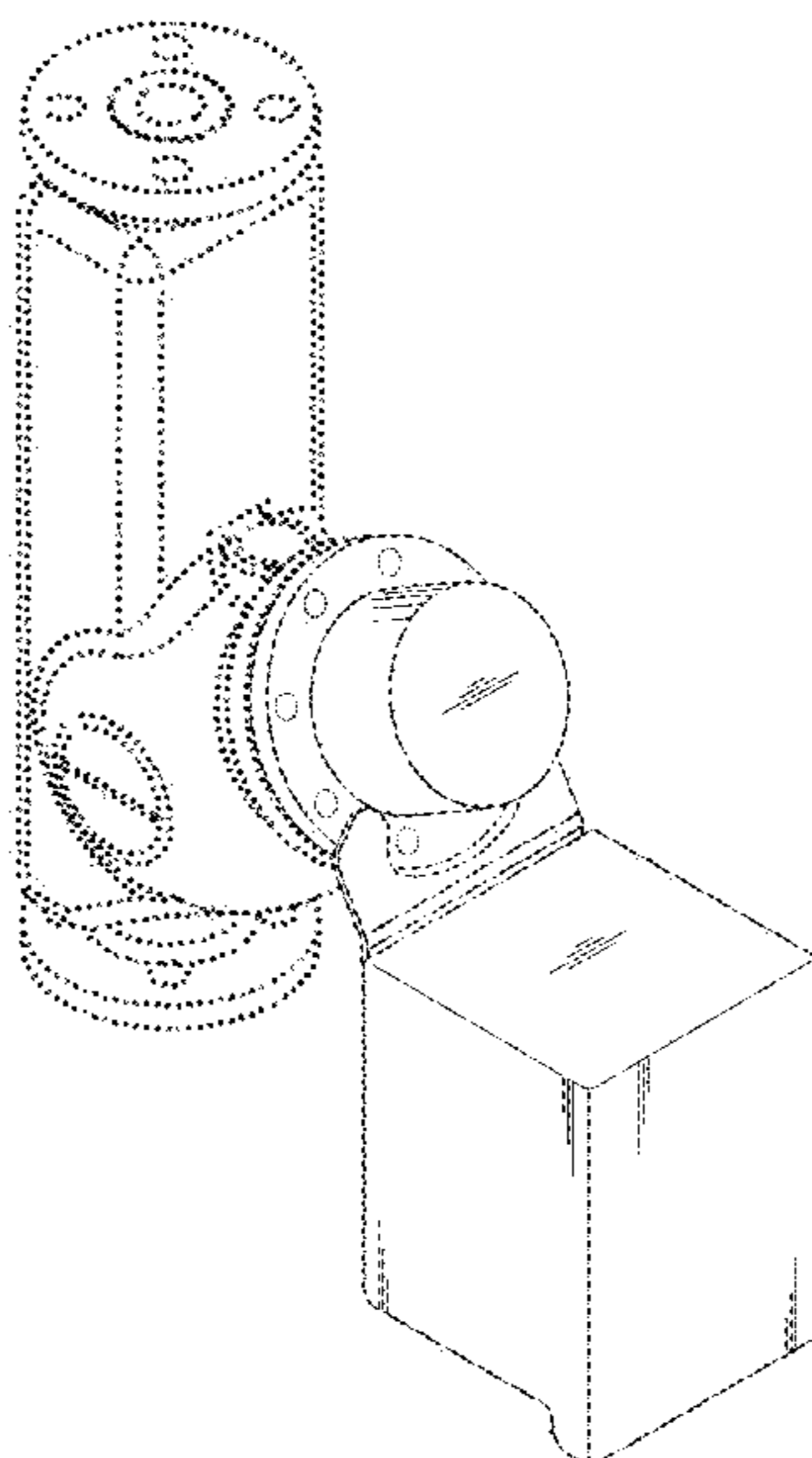
FIG. 12 is a bottom plan view of the first embodiment; and,

FIG. 13 is a bottom plan view of the second embodiment.

The first embodiment discloses a boiler low water cutoff/pump controller probe with three pegs on its rear portion as shown in FIGS. 1, 2, 3, 5, 6, 8, 10 and 12. The second embodiment discloses a boiler low water cutoff/pump controller probe with one peg on its rear portion as shown in FIGS. 1, 2, 4, 5, 7, 9, 11 and 13.

The stippled lines showing a bottle in FIG. 1 are included for the purpose of illustrating environment and form no part of the claimed design. The lightweight broken lines showing the eight small circles in FIGS. 1, 2, 5, and 8-13 are for the purpose of illustrating unclaimed elements and form no part of the claimed design.

**1 Claim, 13 Drawing Sheets**



(58) **Field of Classification Search**

USPC ..... 122/13.01, 14.2, 447; 236/20 R;  
73/290 R, 487.5

CPC ..... F16K 19/003; F16K 31/002; F16K 37/00;  
F16K 11/072; F16K 27/07; F16K  
37/0091

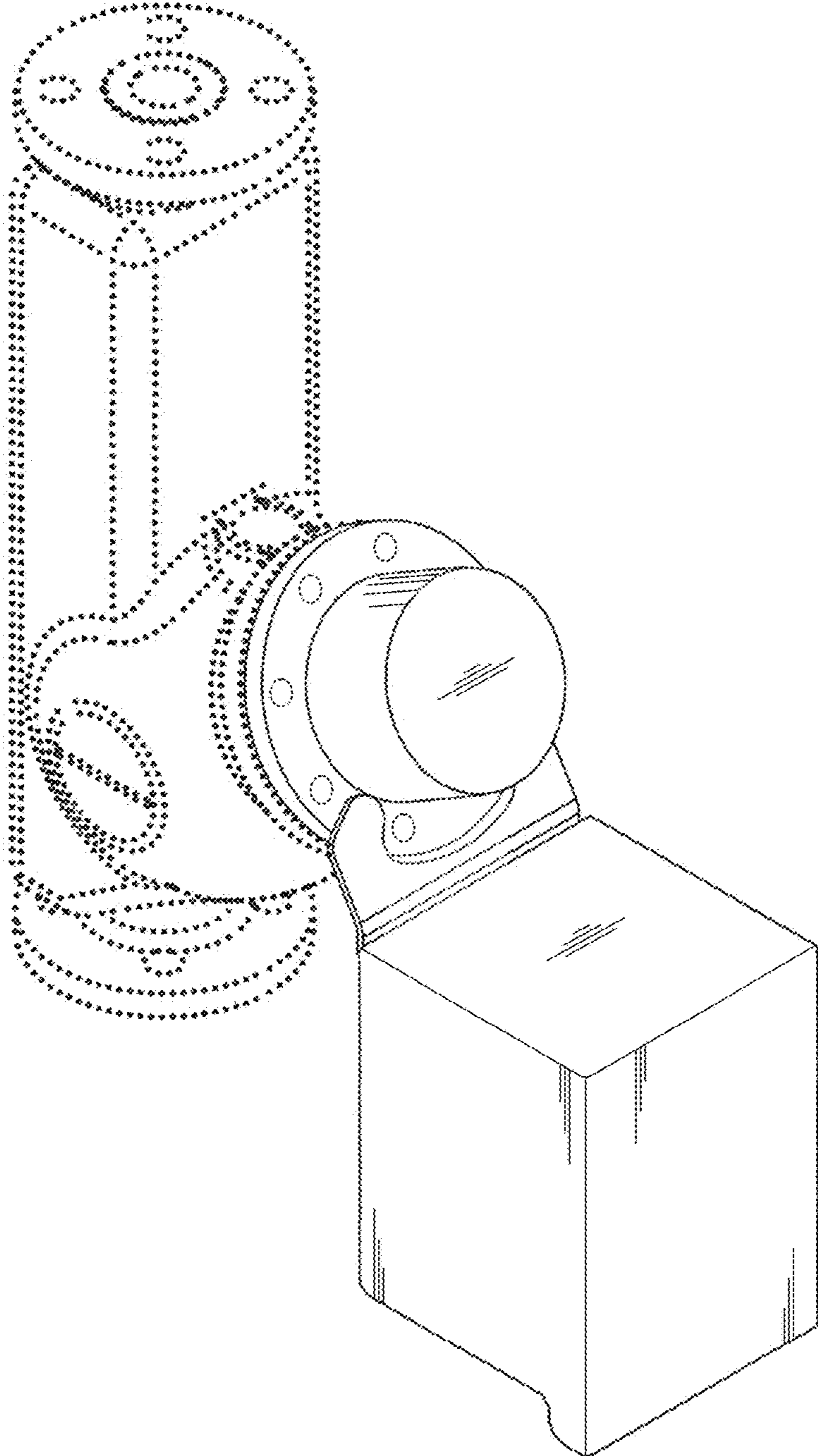
See application file for complete search history.

(56) **References Cited**

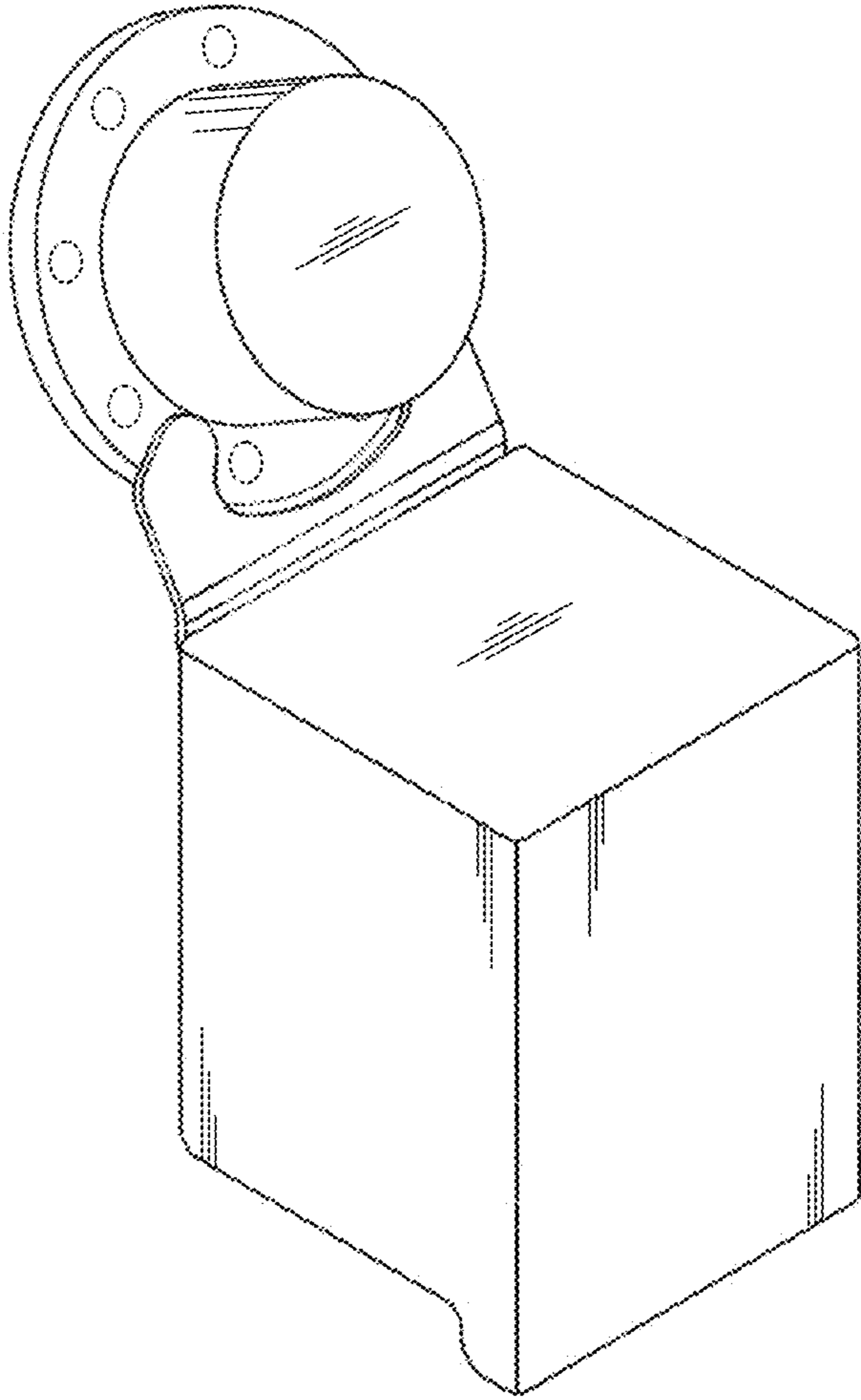
U.S. PATENT DOCUMENTS

7,424,896 B1 \* 9/2008 Martin ..... F16K 31/001  
137/312  
7,992,527 B2 \* 8/2011 Merwin ..... F22B 37/46  
137/392  
8,006,714 B1 \* 8/2011 Martin ..... A47L 15/421  
137/312  
8,069,723 B2 \* 12/2011 Wells ..... G01F 23/0046  
73/290 R  
2006/0124078 A1 \* 6/2006 Merwin ..... F22B 37/46  
122/451 R  
2012/0048396 A1 \* 3/2012 Takemoto ..... F15B 19/005  
137/487.5

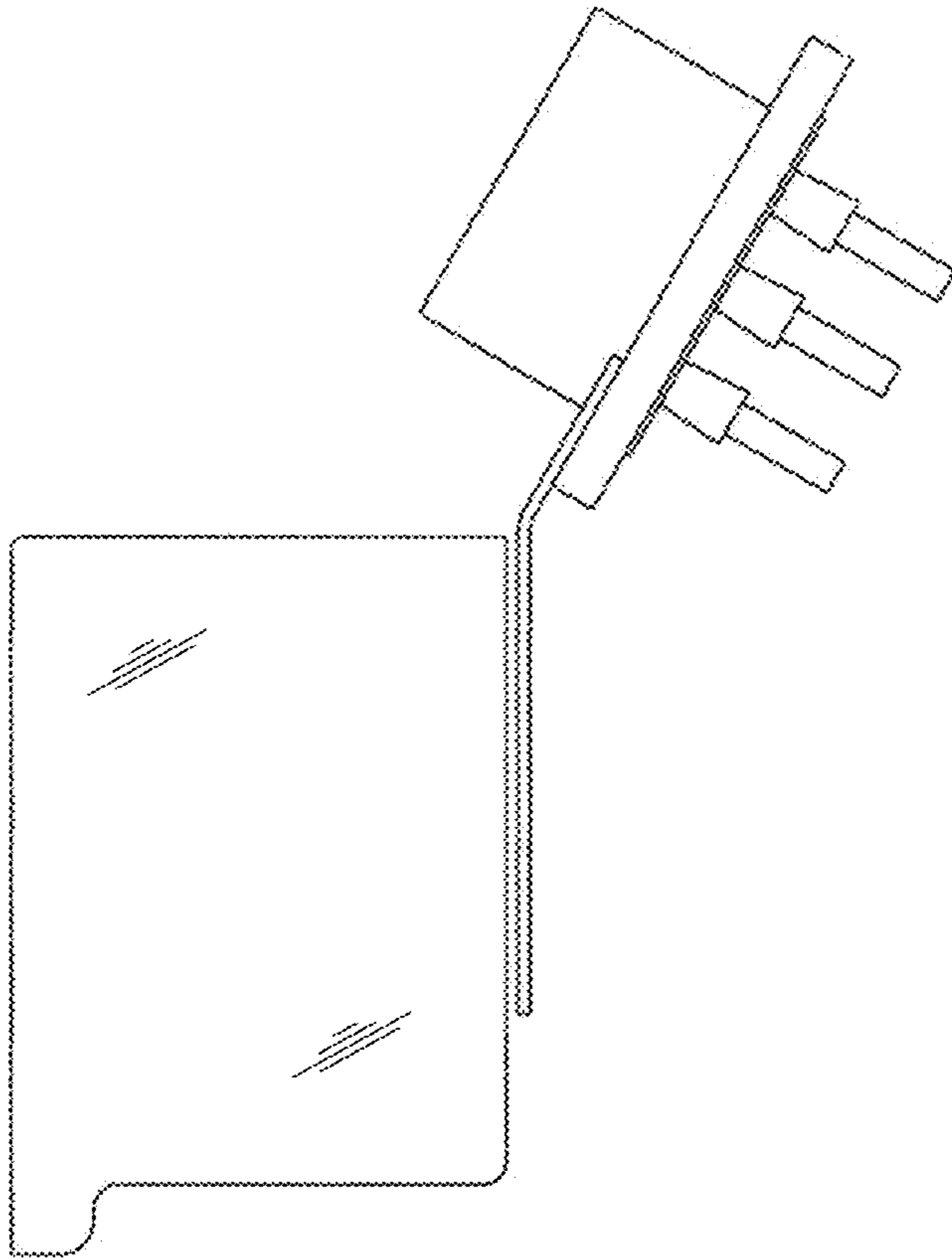
\* cited by examiner



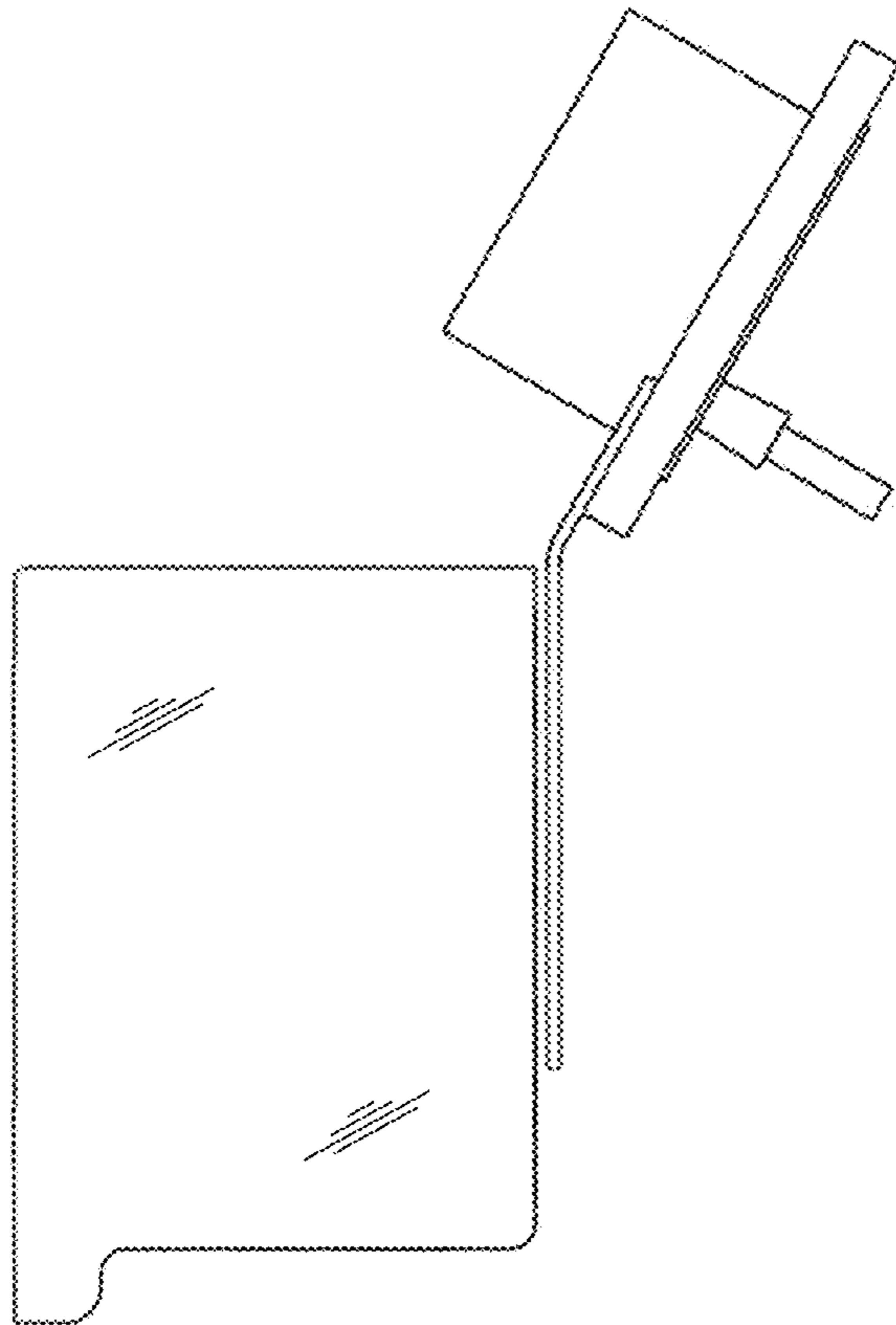
*Fig. 1*



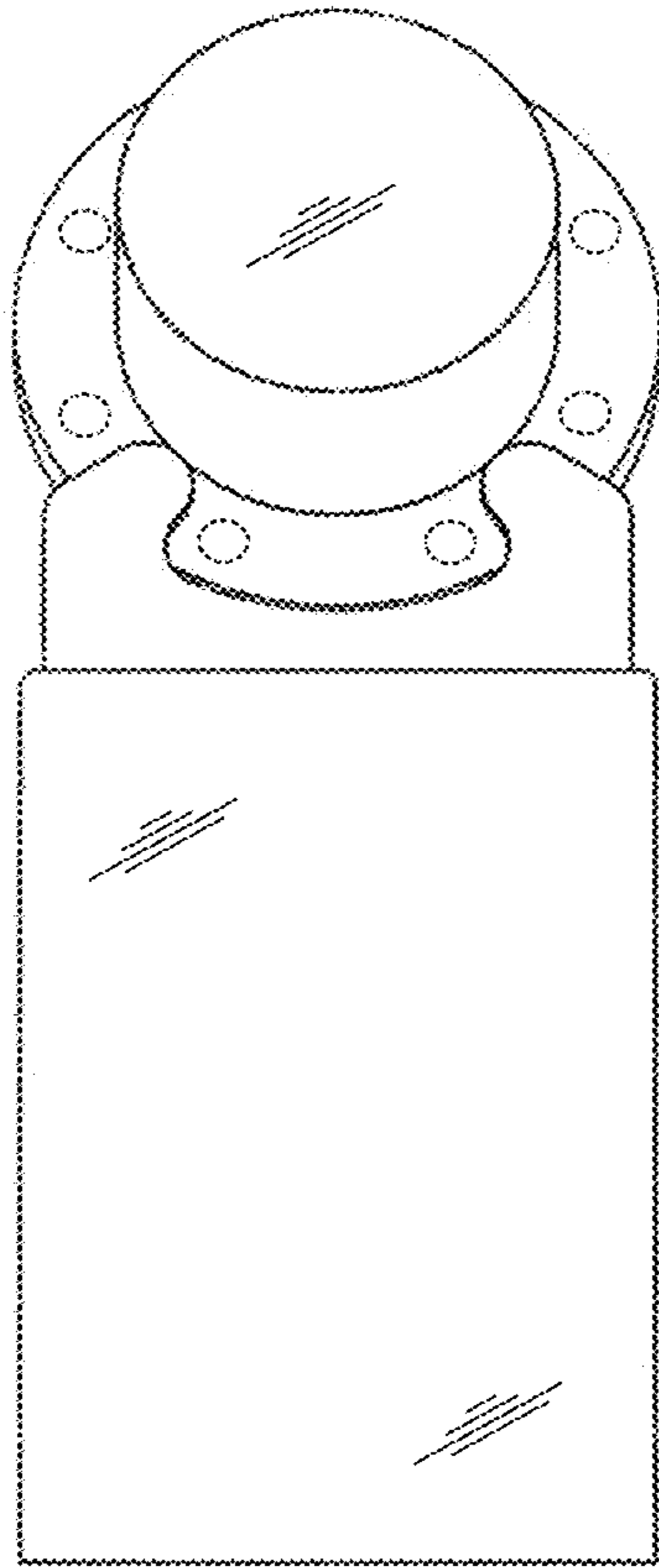
***Fig. 2***



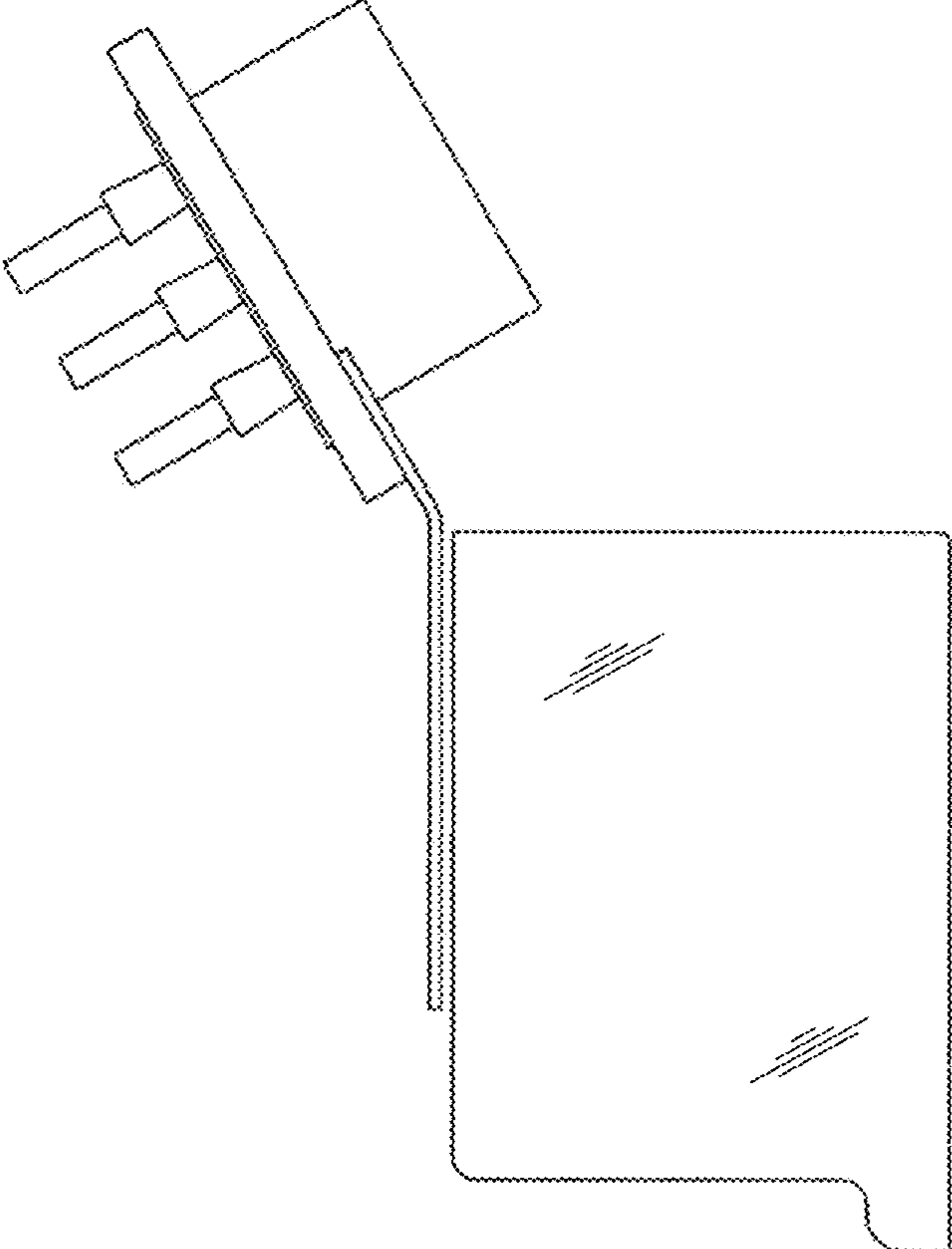
***Fig. 3***



***Fig. 4***

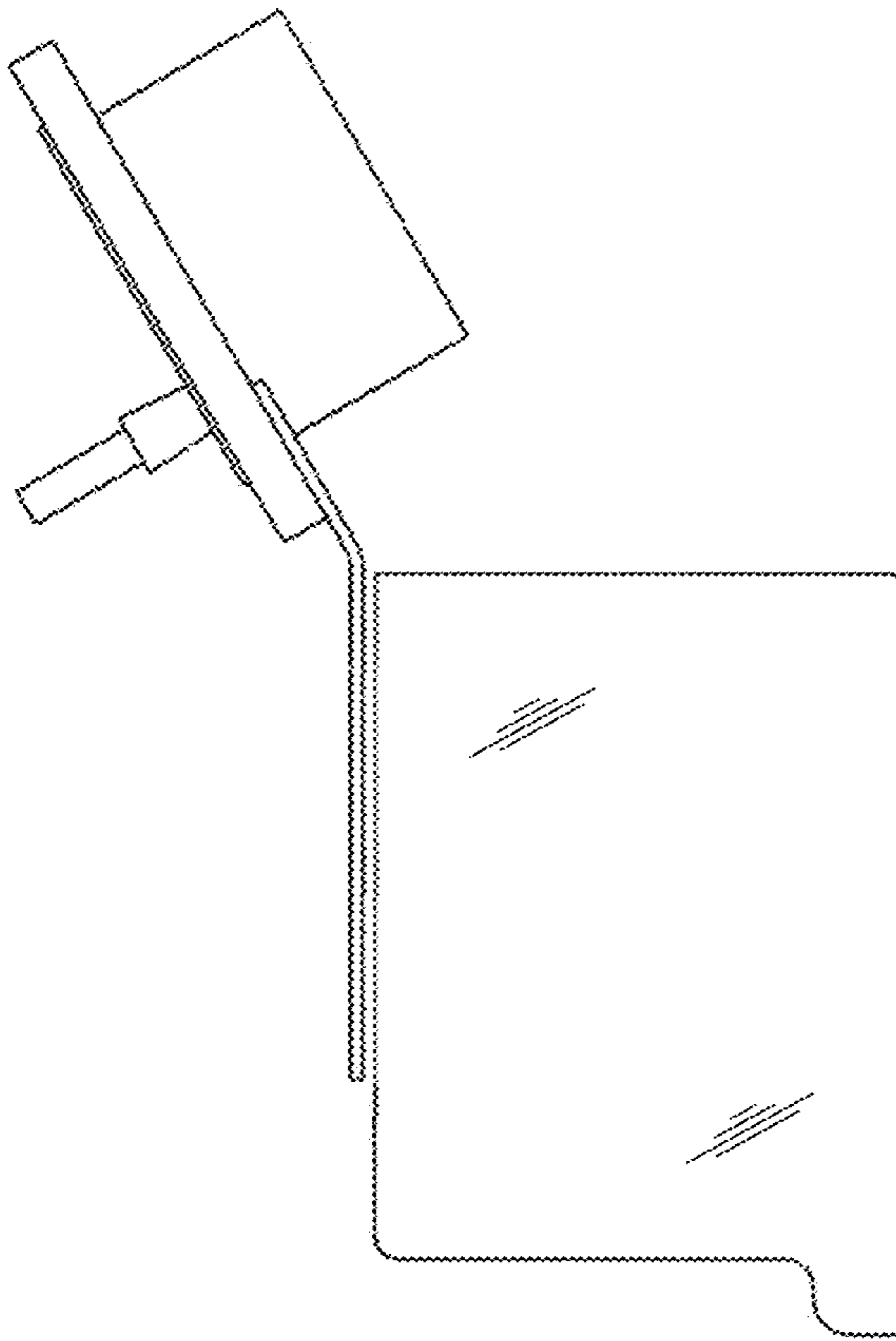


***Fig. 5***

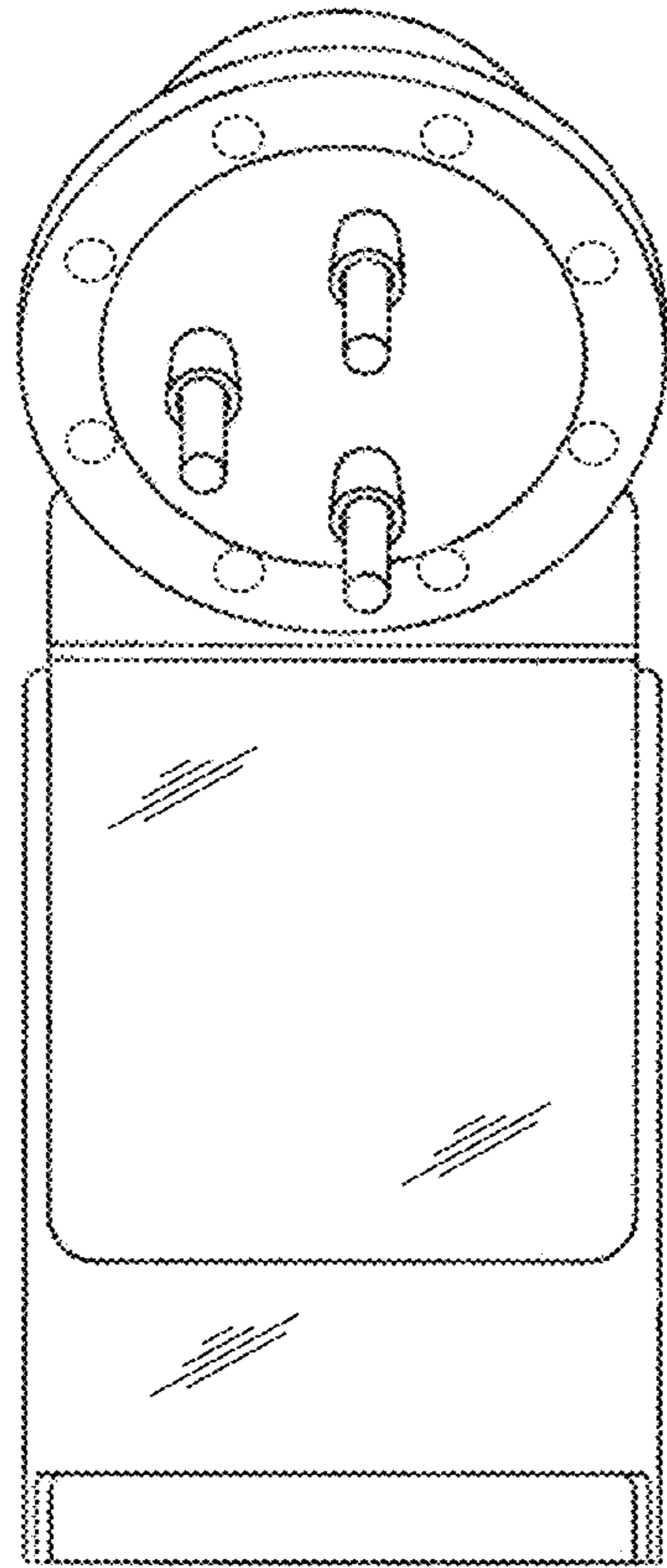


**Fig. 6**

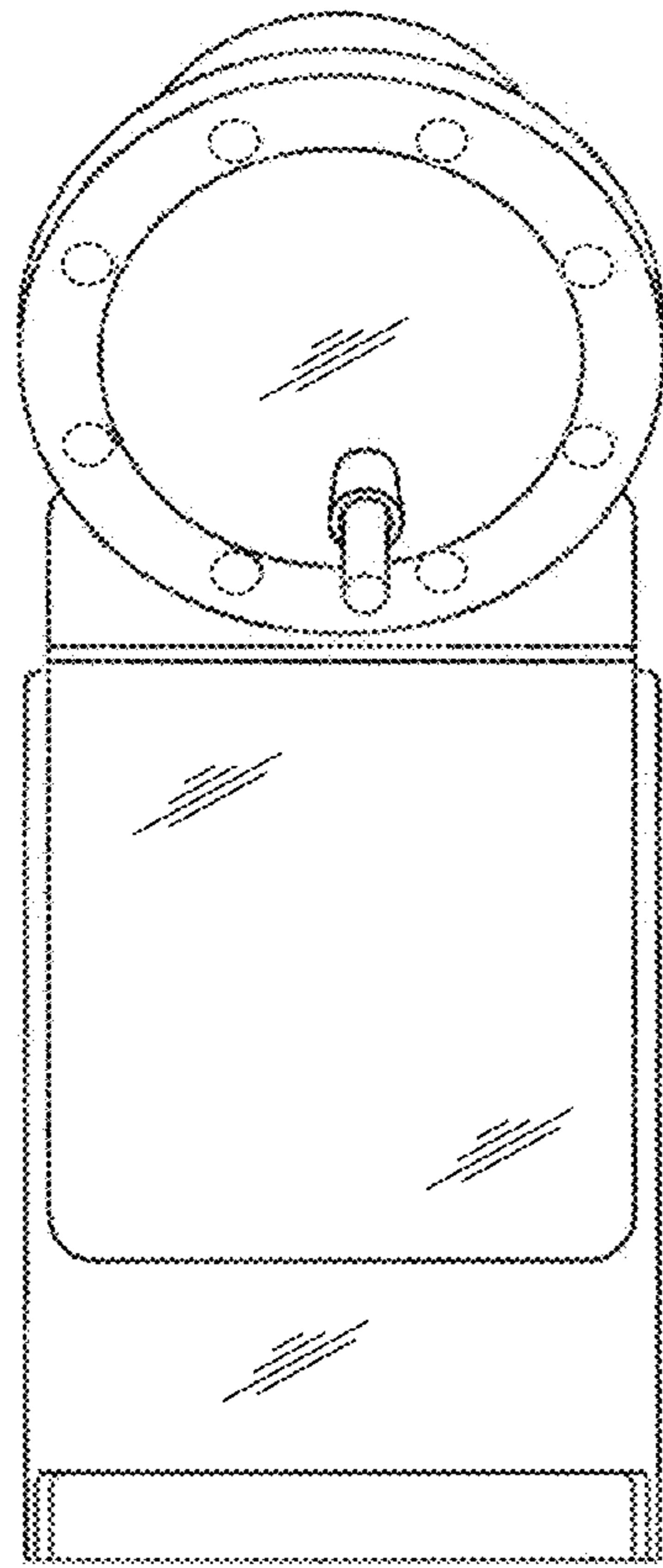




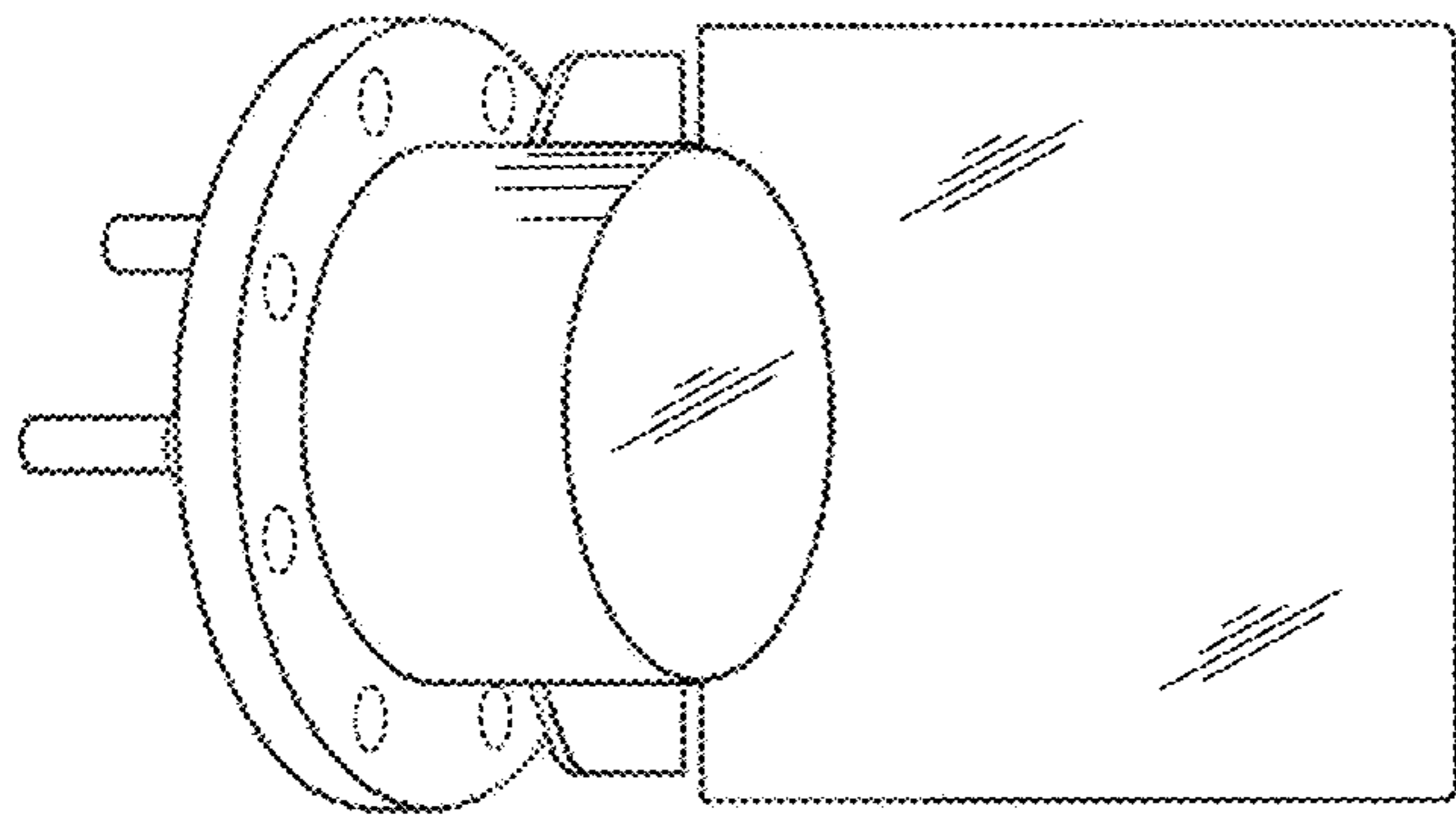
***Fig. 7***



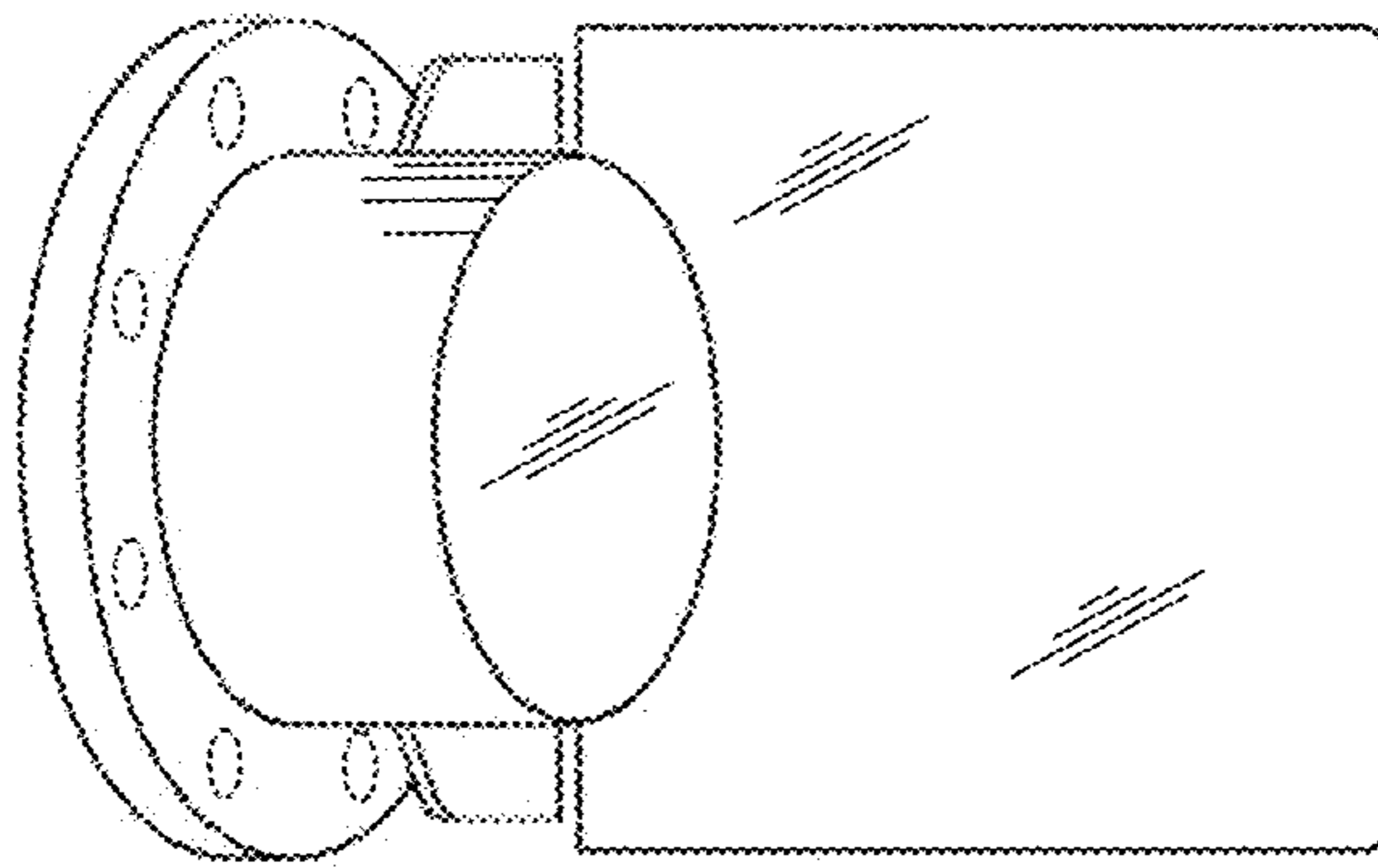
**Fig. 8**



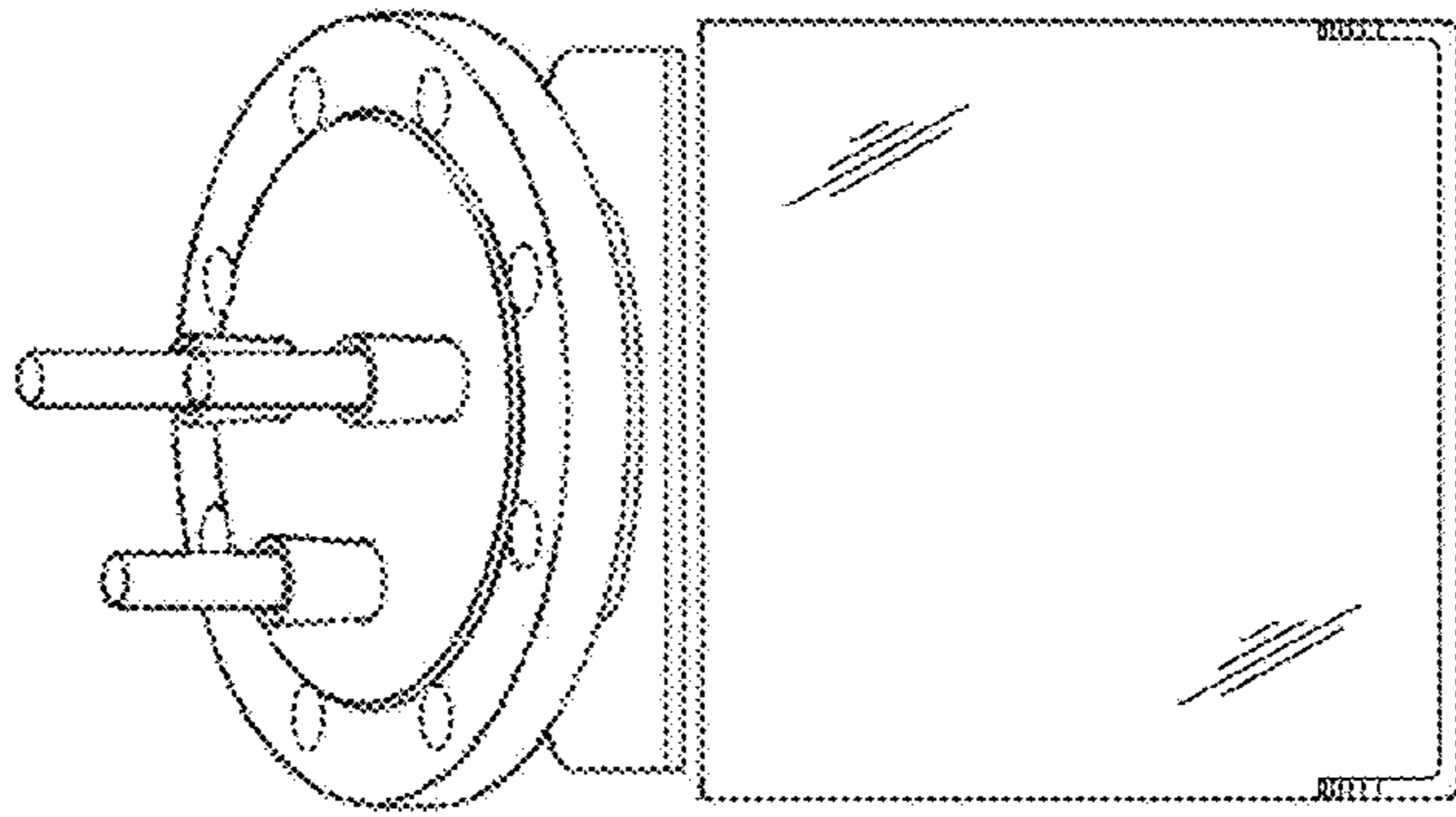
**Fig. 9**



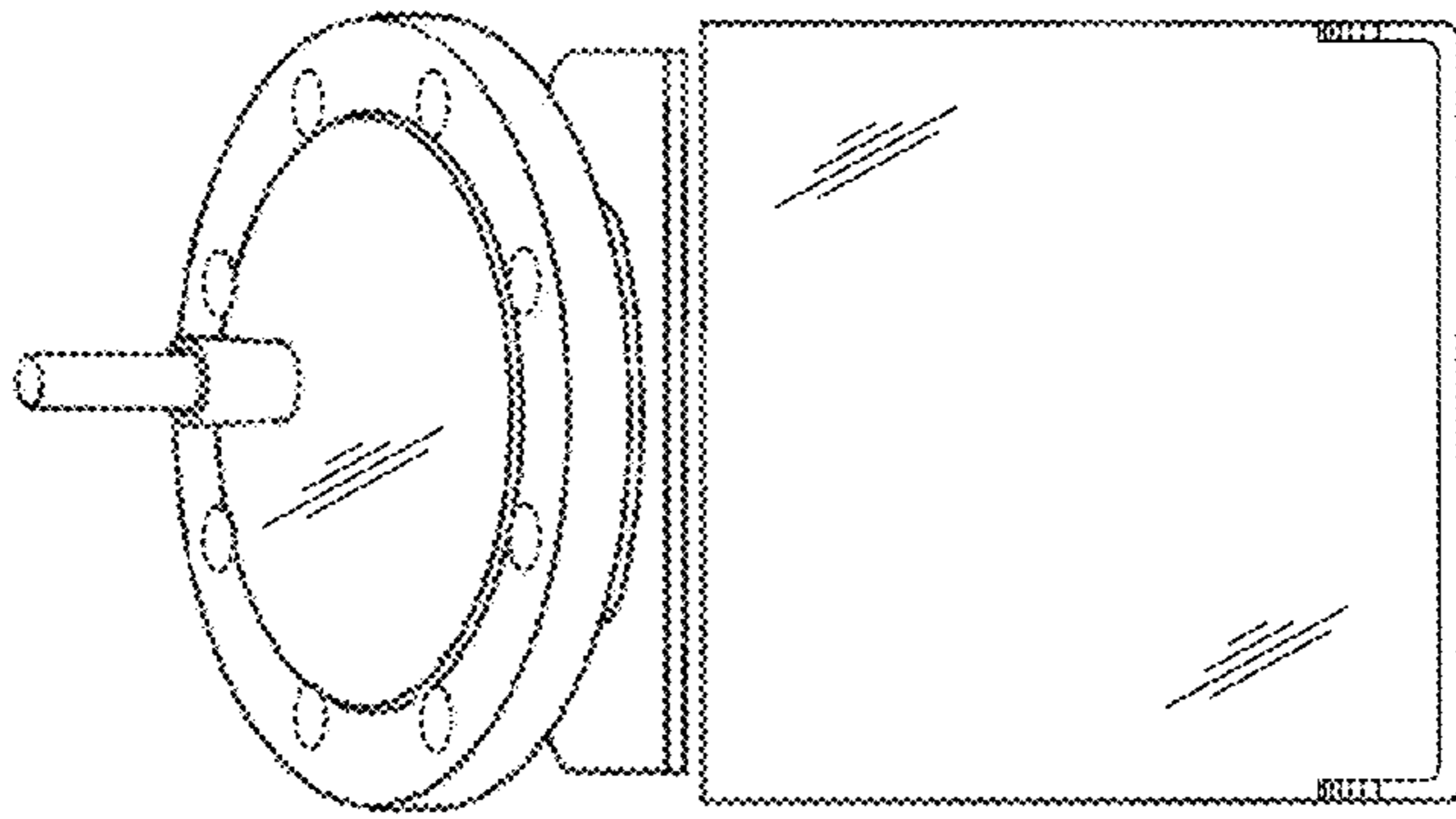
***Fig. 10***



***Fig. 11***



***Fig. 12***



***Fig. 13***

UNITED STATES PATENT AND TRADEMARK OFFICE  
**CERTIFICATE OF CORRECTION**

PATENT NO. : D819,188 S  
APPLICATION NO. : 29/585007  
DATED : May 29, 2018  
INVENTOR(S) : S. Dobi

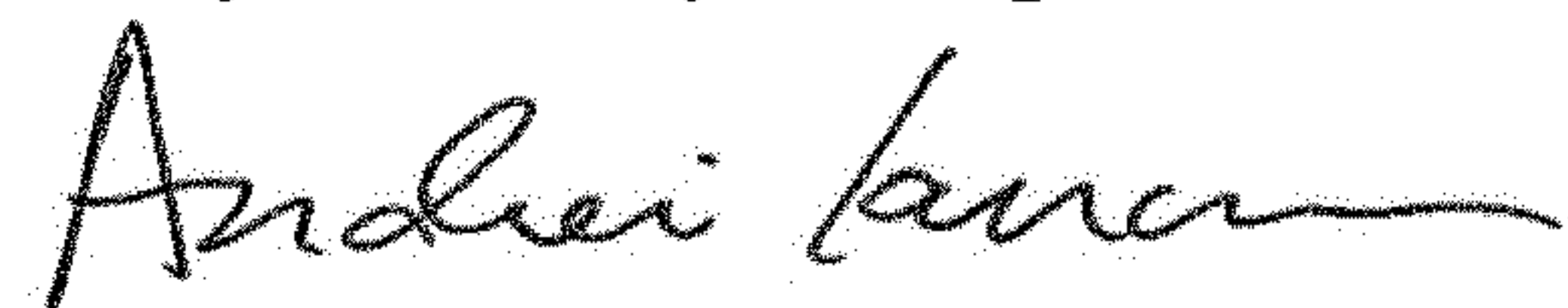
Page 1 of 1

It is certified that error appears in the above-identified patent and that said Letters Patent is hereby corrected as shown below:

On the Title Page

(30)	Foreign	Following Item (22), please insert:
Column 1	Application	--(30) Foreign Application Priority Data
	Priority Data	May 20, 2016 (CA) 168530--

Signed and Sealed this  
Twenty-fifth Day of September, 2018



Andrei Iancu  
*Director of the United States Patent and Trademark Office*