



US00D819187S

(12) **United States Design Patent**
Yamamoto

(10) **Patent No.:** **US D819,187 S**

(45) **Date of Patent:** **** May 29, 2018**

(54) **SEAL**

(71) Applicant: **NIPPON VALQUA INDUSTRIES, LTD.**, Tokyo (JP)

(72) Inventor: **Takahiro Yamamoto**, Gojo (JP)

(73) Assignee: **Nippon Valqua Industries, Ltd.**, Tokyo (JP)

(**) Term: **15 Years**

(21) Appl. No.: **29/571,746**

(22) Filed: **Jul. 21, 2016**

(30) **Foreign Application Priority Data**

Jan. 26, 2016 (JP) 2016-001512
Jan. 26, 2016 (JP) 2016-001513
Jan. 26, 2016 (JP) 2016-001514
Jan. 26, 2016 (JP) 2016-001515

(51) **LOC (11) Cl.** **23-01**

(52) **U.S. Cl.**
USPC **D23/269**

(58) **Field of Classification Search**
USPC D23/269, 262; 277/351-359, 504, 562,
277/563, 572, 361-364, 381, 606, 616,
277/314, 382, 394, 395; D25/48.2, 122,
D25/164; 285/42-50
CPC E04D 13/1406; E04D 13/1407; F16K
3/0227; F16K 51/02; F16J 15/106
See application file for complete search history.

(56) **References Cited**

U.S. PATENT DOCUMENTS

5,692,758 A * 12/1997 Wikstrom F16J 15/106
277/591
D517,679 S * 3/2006 Stout, Jr. D23/393
D633,991 S * 3/2011 Nakagawa D23/269
D655,401 S * 3/2012 Muramatsu D23/269

D655,797 S * 3/2012 Muramatsu D23/269
D692,391 S * 10/2013 Kim D13/154
D755,356 S * 5/2016 Vaseleniuck D23/269
2003/0160452 A1 * 8/2003 Mattsson F16L 9/003
285/424

(Continued)

FOREIGN PATENT DOCUMENTS

JP 550768 S 3/1981
JP 1200028 S 3/2004

(Continued)

OTHER PUBLICATIONS

Japanese Office Action dated Nov. 14, 2016 which issued in the Japanese counterpart Application No. JP2016-001512, including Eng. translation.

(Continued)

Primary Examiner — Eric L Goodman
Assistant Examiner — Amy C Wierenga
(74) *Attorney, Agent, or Firm* — Dickinson Wright, PLLC

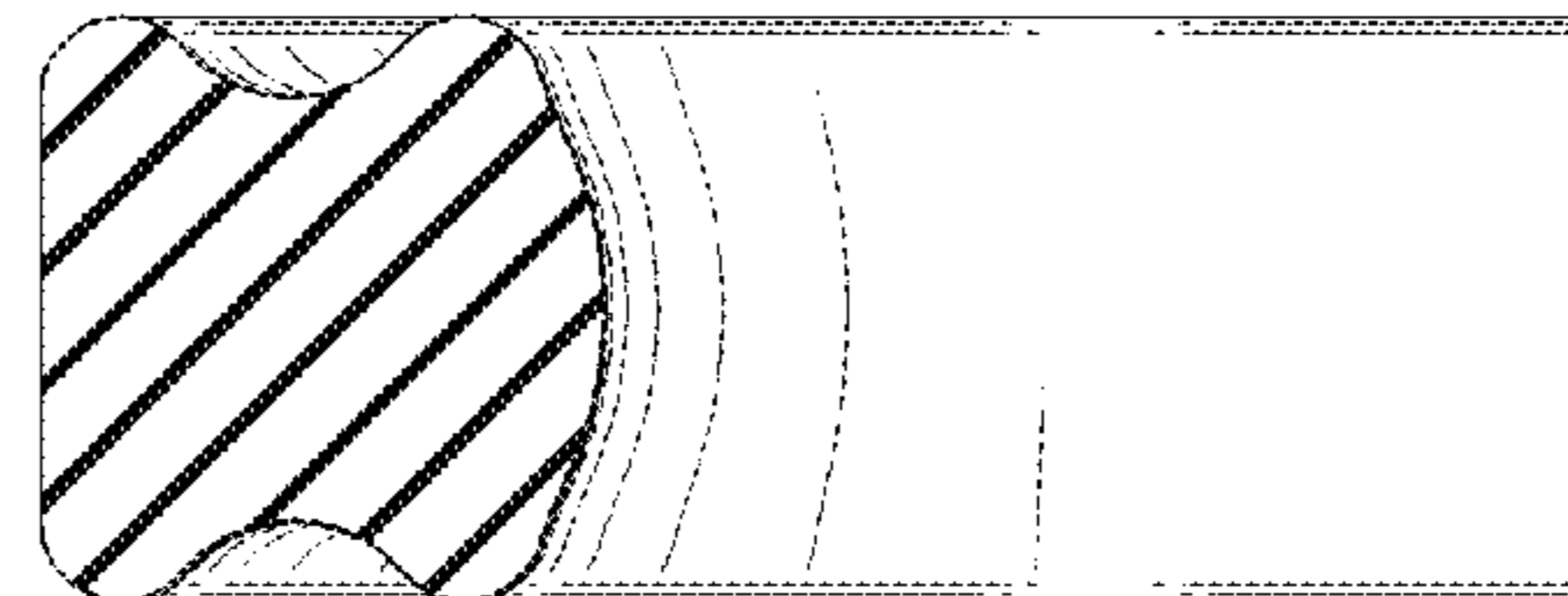
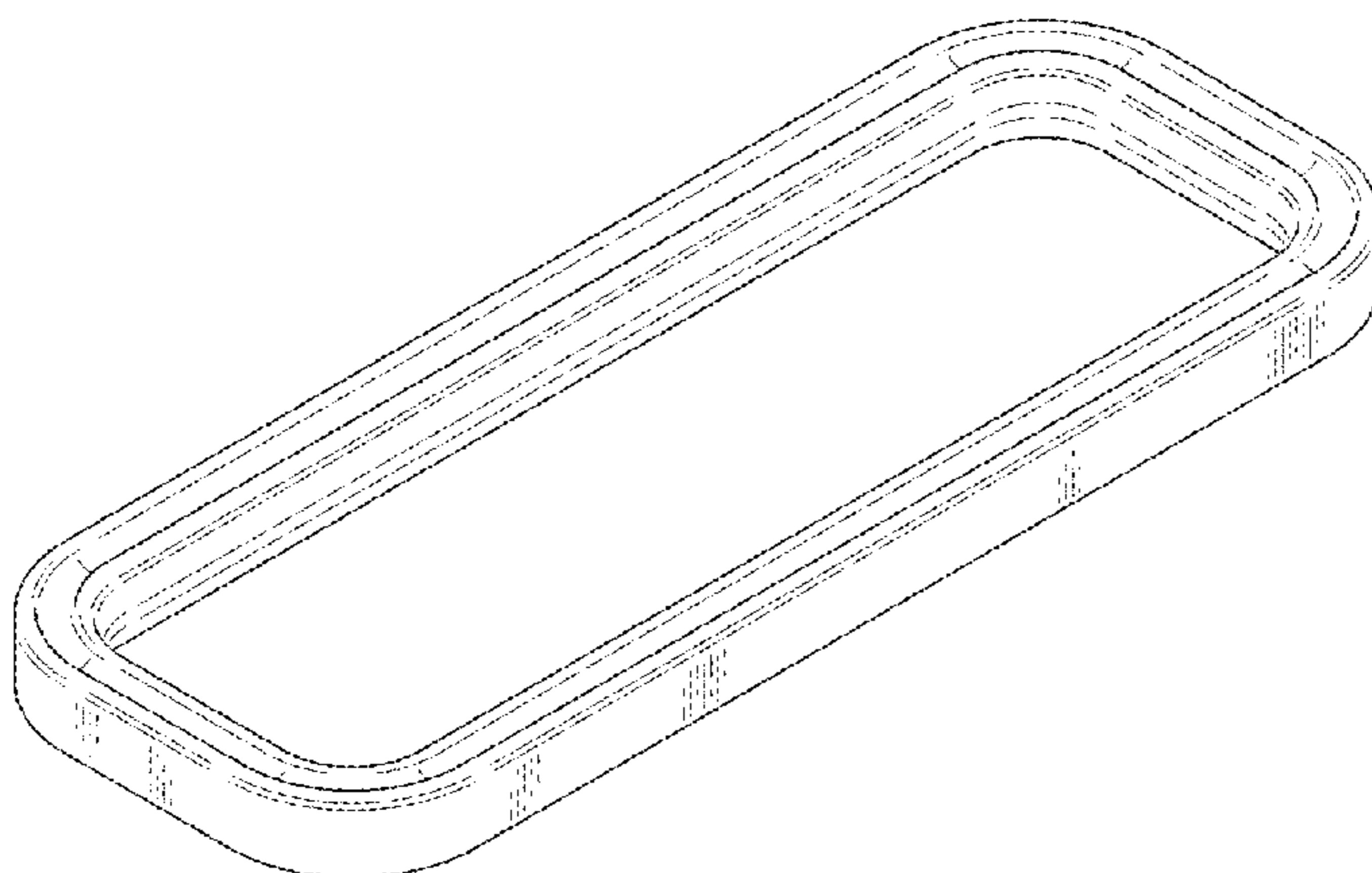
(57) **CLAIM**

The ornamental design for a seal, as shown and described.

DESCRIPTION

FIG. 1 is a perspective view of a seal showing my new design;
FIG. 2 is a front view thereof;
FIG. 3 is a back view thereof;
FIG. 4 is a top view thereof;
FIG. 5 is bottom view thereof;
FIG. 6 is a right side view thereof;
FIG. 7 is a left side thereof;
FIG. 8 is a cross-sectional view of the portion VIII-VIII of FIG. 4; and,
FIG. 9 is an enlarged cross-sectional view of the portion IX-IX of FIG. 8.

1 Claim, 3 Drawing Sheets



(56)

References Cited

U.S. PATENT DOCUMENTS

2009/0045371 A1* 2/2009 Kamibayashiyama F16K 3/0227
251/328
2009/0289450 A1* 11/2009 Bluhm F16D 25/0638
285/101
2014/0175310 A1* 6/2014 Coppola F16K 51/02
251/85
2015/0184761 A1* 7/2015 Kusakabe F16J 15/062
251/314
2017/0211706 A1* 7/2017 Amir F16K 3/0227

FOREIGN PATENT DOCUMENTS

JP 2005-036926 A 2/2005
JP 1275000 S 6/2006
JP 1275345 S 6/2006
JP 2012-132476 A 7/2012

OTHER PUBLICATIONS

Japanese Office Action dated Nov. 14, 2016 which issued in the Japanese counterpart Application No. JP2016-001513, including Eng. translation.

Japanese Office Action dated Nov. 14, 2016 which issued in the Japanese counterpart Application No. JP2016-001514, including Eng. translation.

Japanese Office Action dated Nov. 14, 2016 which issued in the Japanese counterpart Application No. JP2016-001515, including Eng. translation.

* cited by examiner

FIG.1

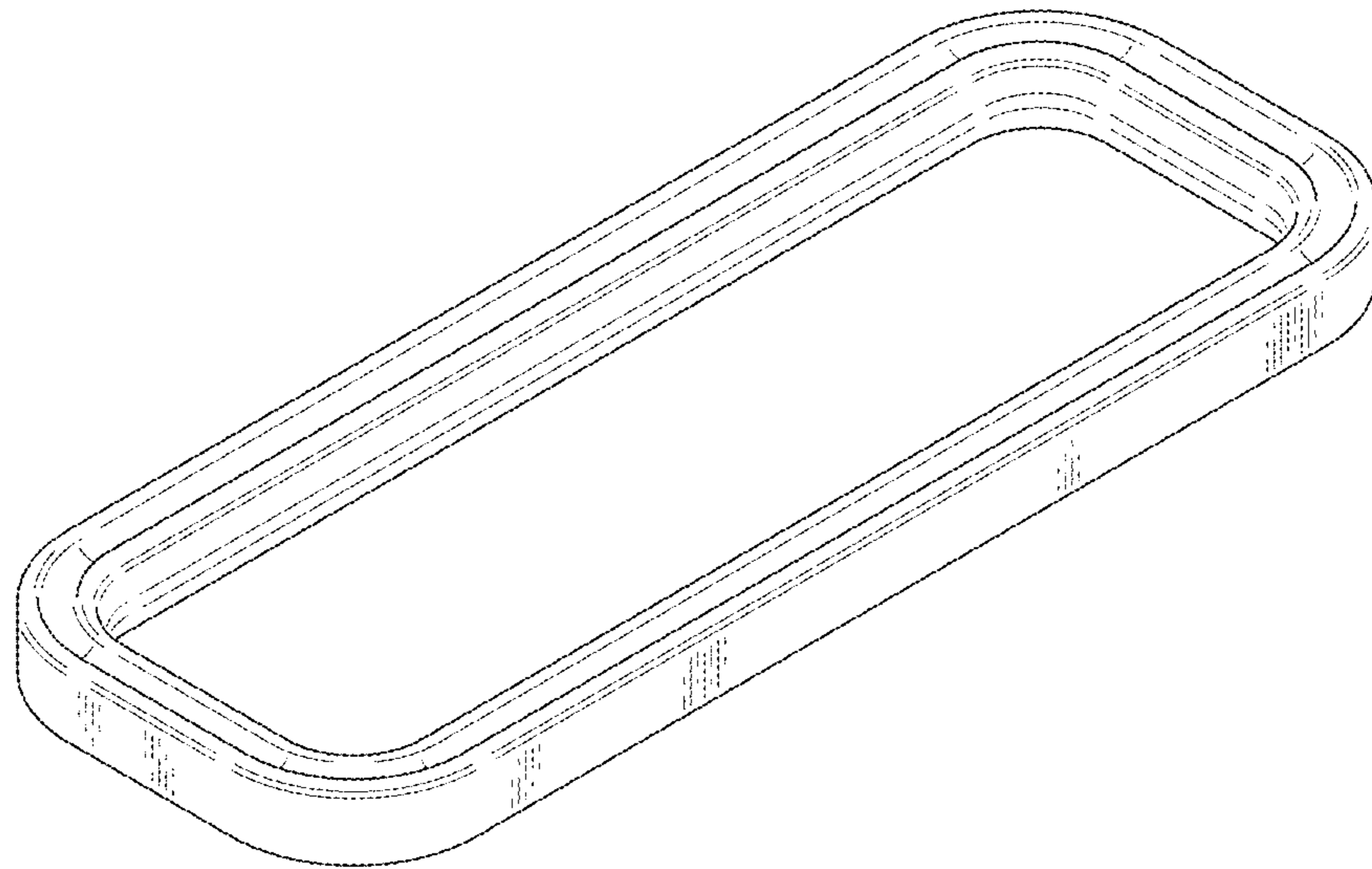


FIG.2



FIG.3



FIG.4

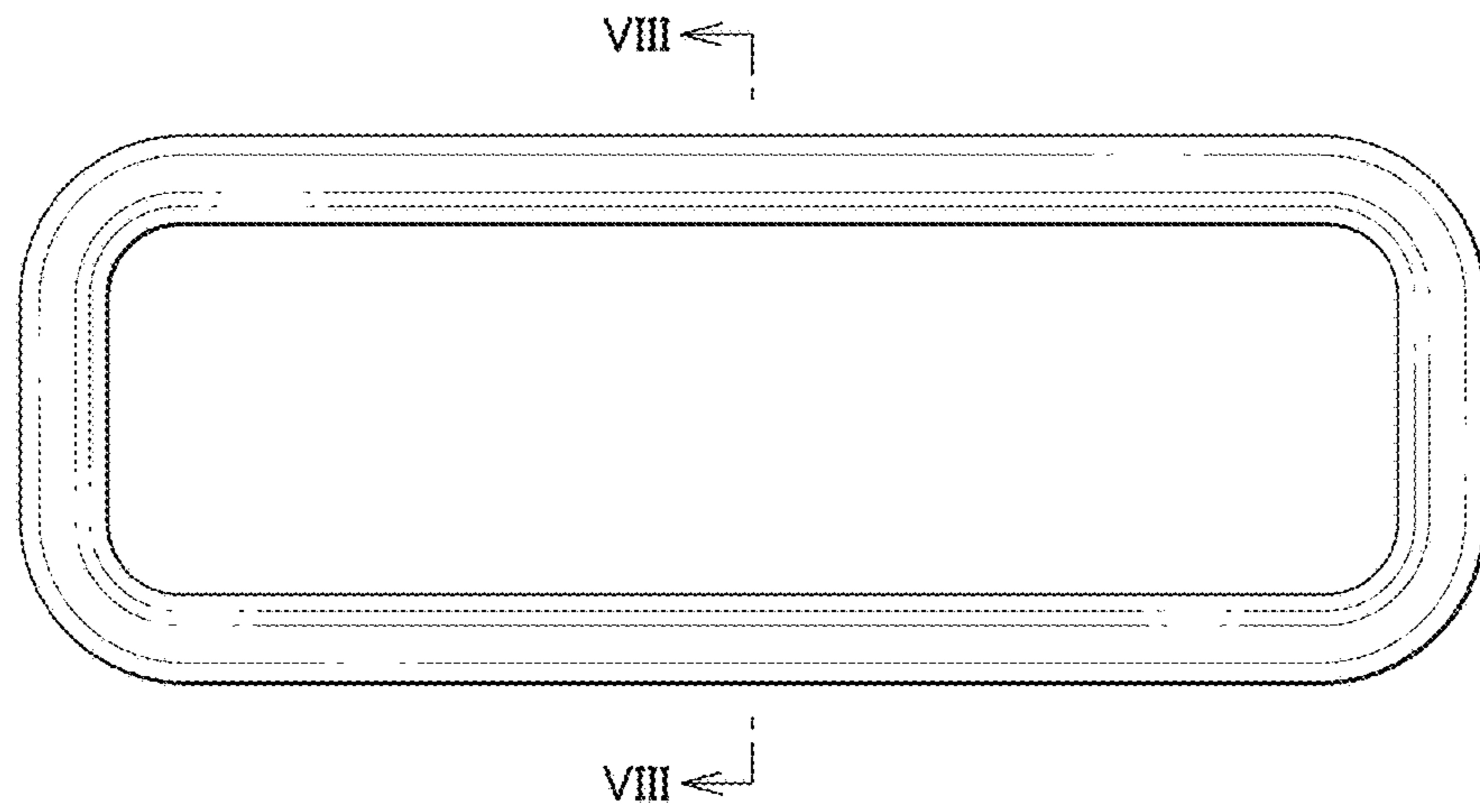


FIG.5

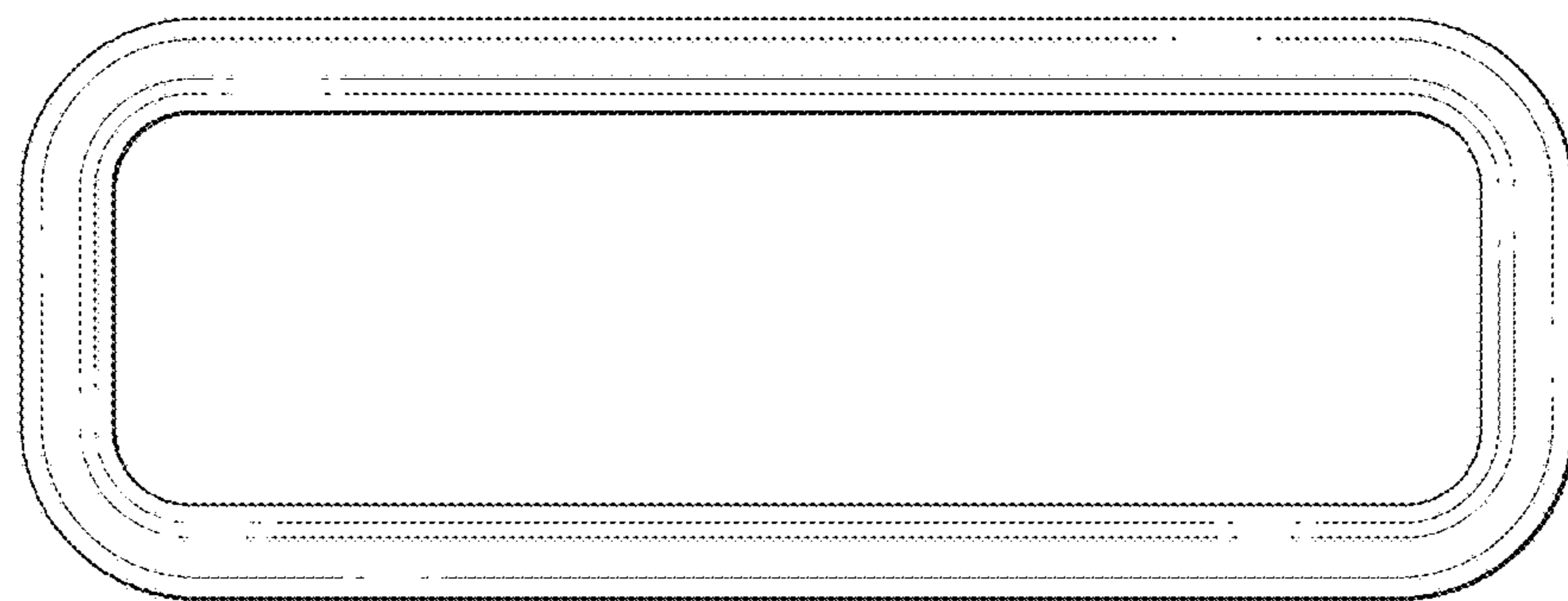


FIG.6

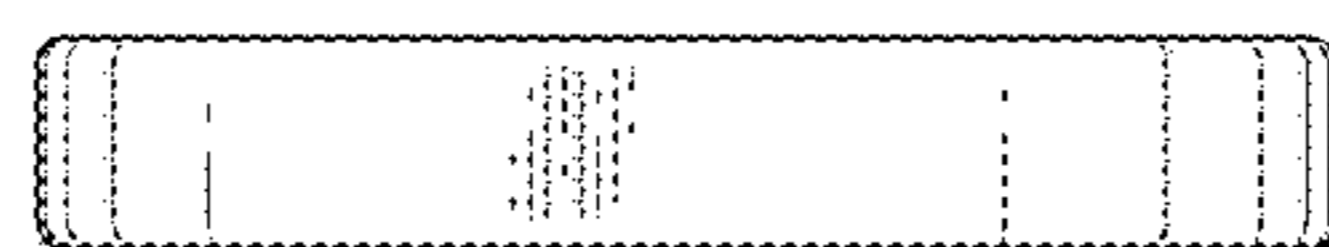


FIG.7

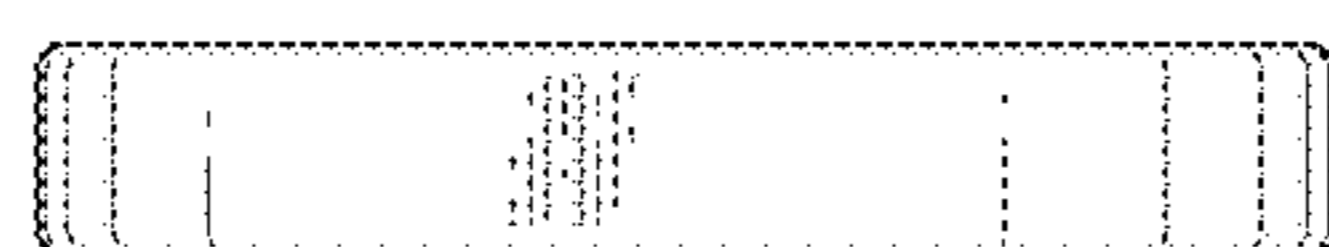


FIG.8

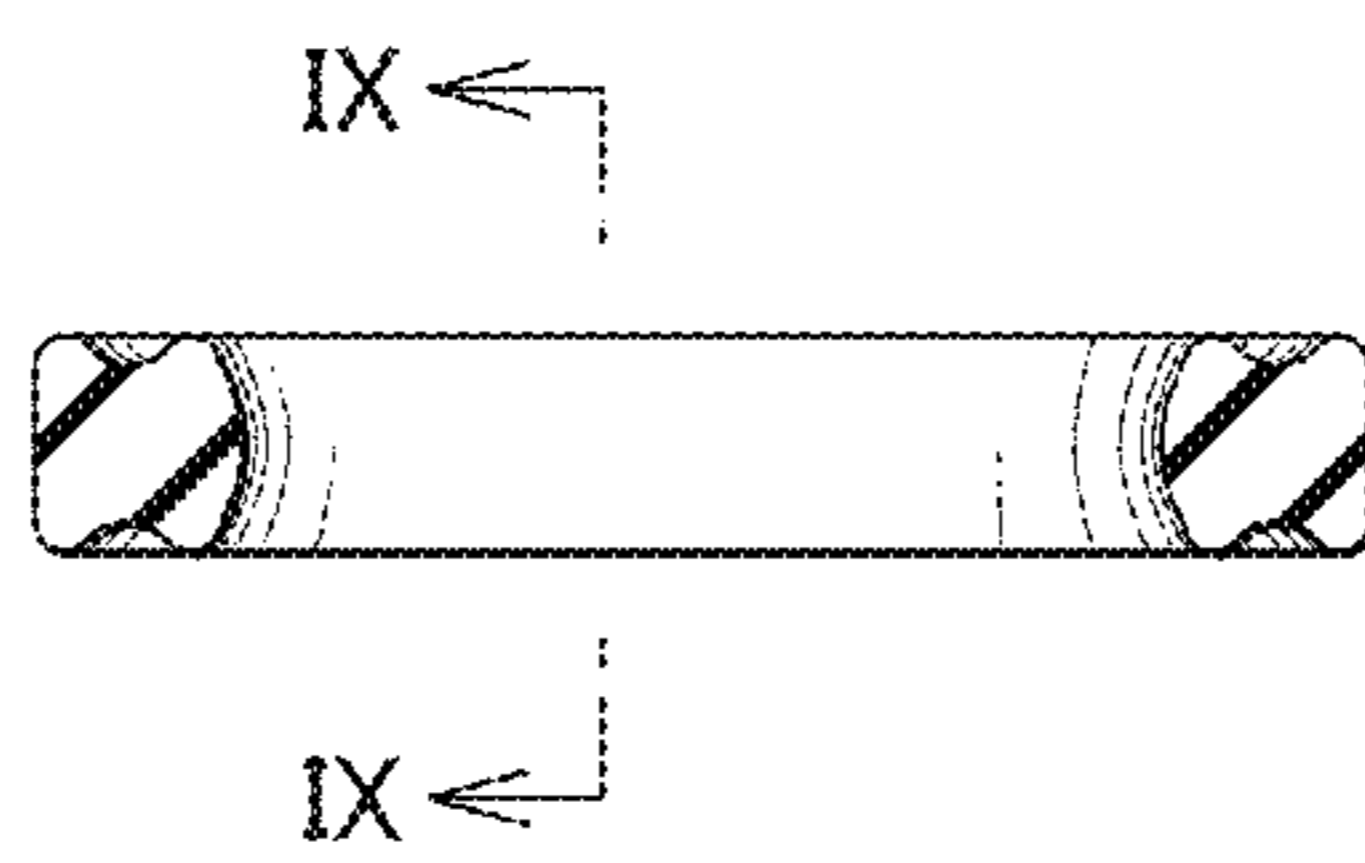


FIG.9

