



US00D819185S

(12) **United States Design Patent** (10) **Patent No.:** **US D819,185 S**
Ravassa et al. (45) **Date of Patent:** **** May 29, 2018**

(54) **FAUCET**

(71) Applicant: **AS IP Holdco, LLC**, Piscataway, NJ (US)
(72) Inventors: **Gabriela Ravassa**, Brooklyn, NY (US); **Jean-Jacques L’Henaff**, New Canaan, CT (US)
(73) Assignee: **AS IP Holdco, LLC**, Piscataway, NJ (US)

(**) Term: **15 Years**

(21) Appl. No.: **29/590,291**

(22) Filed: **Jan. 9, 2017**

(51) **LOC (11) Cl.** **23-01**

(52) **U.S. Cl.**

USPC **D23/255**

(58) **Field of Classification Search**

USPC D23/238–242, 249, 255, 257

CPC Y10T 137/9464

See application file for complete search history.

(56) **References Cited**

U.S. PATENT DOCUMENTS

D692,536 S * 10/2013 Newson D23/238
D700,955 S * 3/2014 Schoenherr D23/238
D723,662 S * 3/2015 Downey D23/238

OTHER PUBLICATIONS

Notification to Grant Patent Right and to Go Through Formalities of Registration dated Feb. 1, 2018, directed to CN Application No. 201730296056.0; 6 pages.

* cited by examiner

Primary Examiner — Robert A Delehanty

(74) *Attorney, Agent, or Firm* — Morrison & Foerster LLP

(57) **CLAIM**

The ornamental design for a faucet, as shown and described.

DESCRIPTION

FIG. 1 is a front and right side perspective view of a faucet showing the new design;
FIG. 2 is a front elevational view thereof;
FIG. 3 is a rear elevational view thereof;
FIG. 4 is a right side elevational view thereof;
FIG. 5 is a left side elevational view thereof;
FIG. 6 is a top plan view thereof; and,
FIG. 7 is a bottom plan view thereof.
The features shown in broken lines form no part of the claimed design.

1 Claim, 4 Drawing Sheets

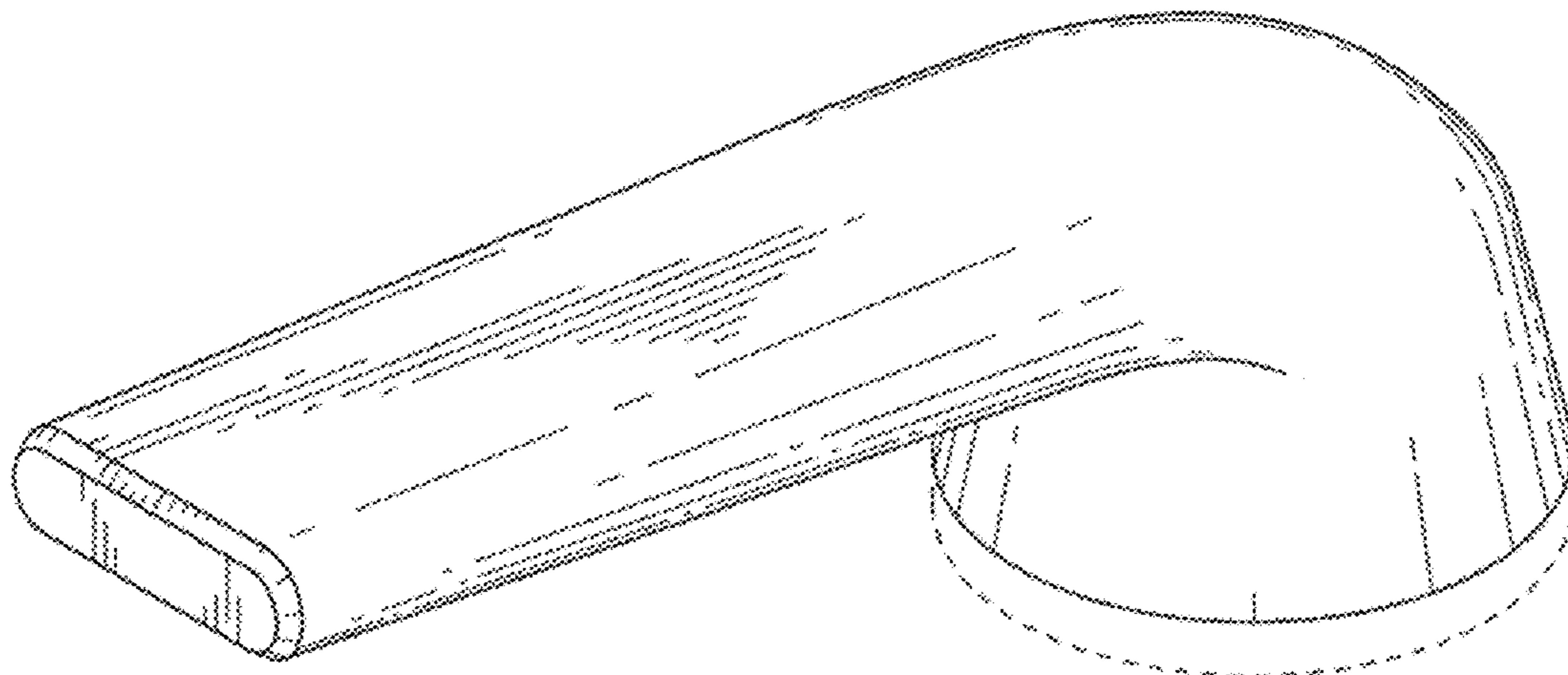


FIG. 1

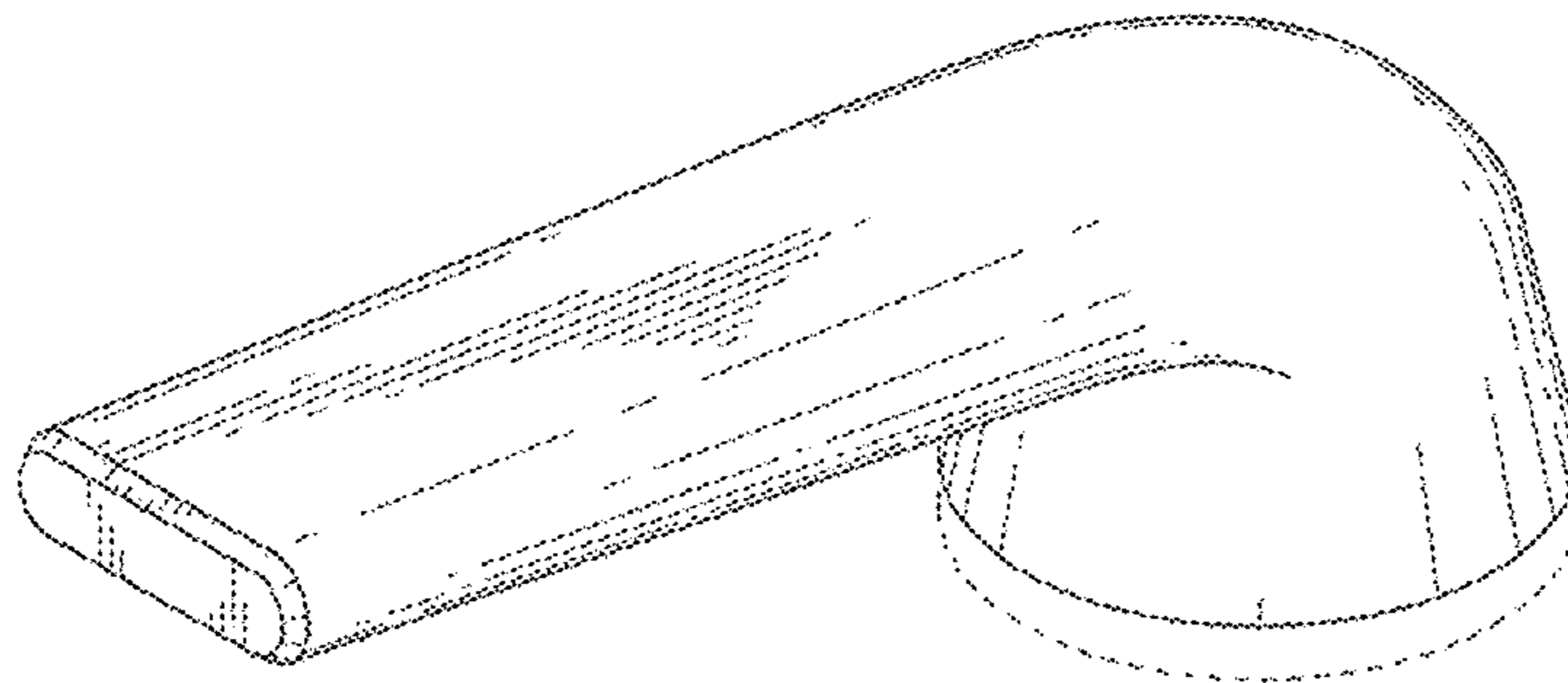


FIG. 2

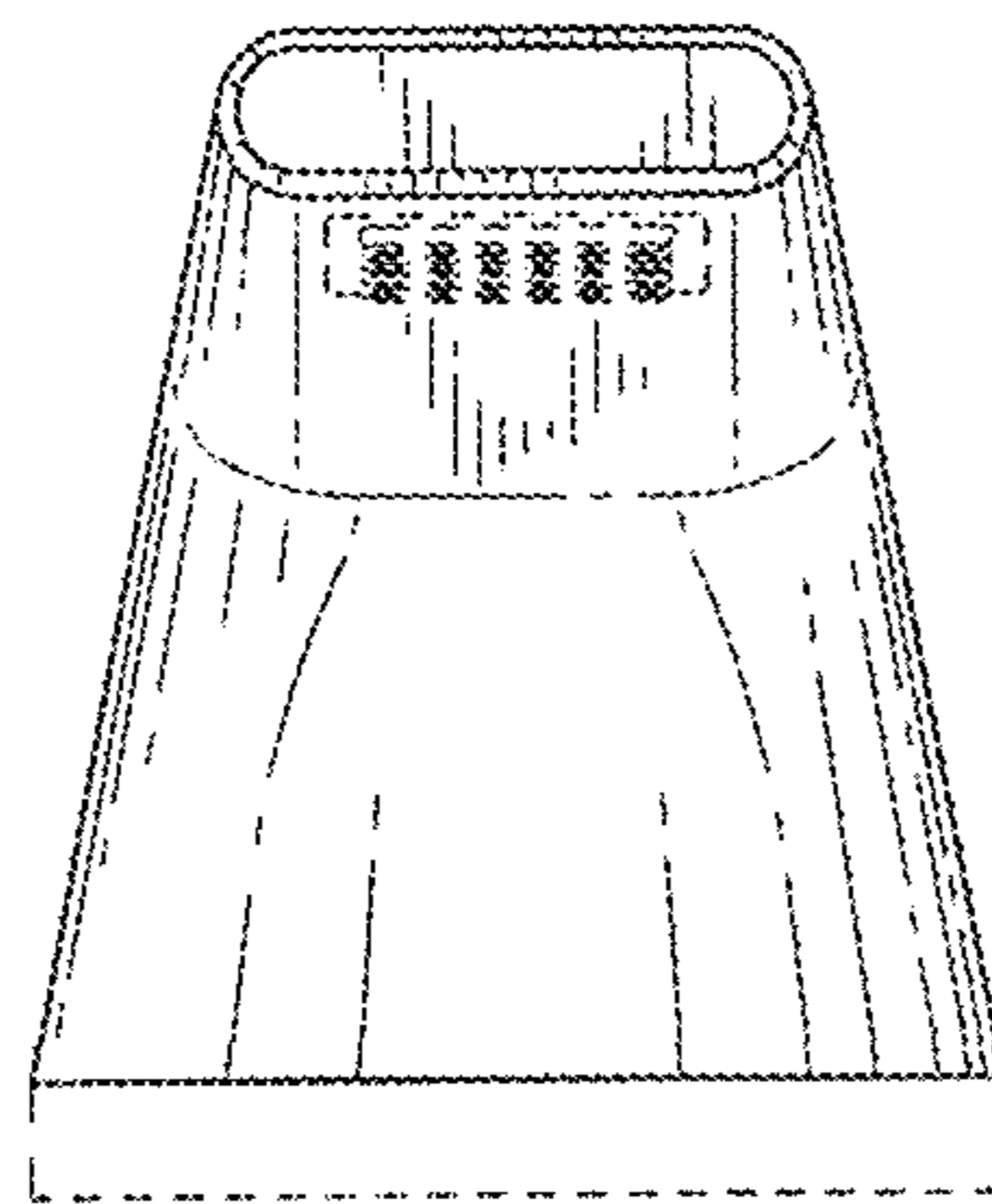


FIG. 3

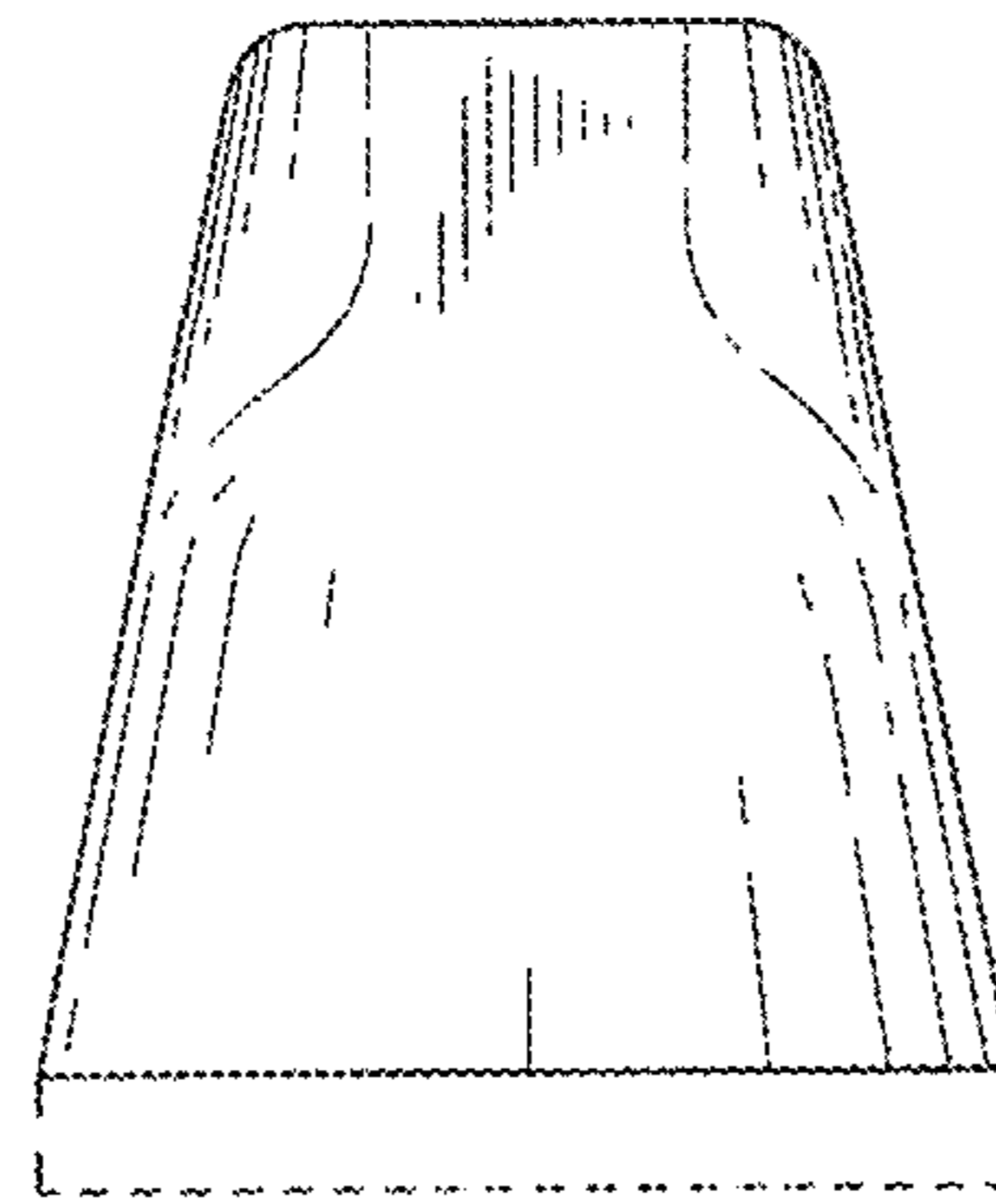


FIG. 4

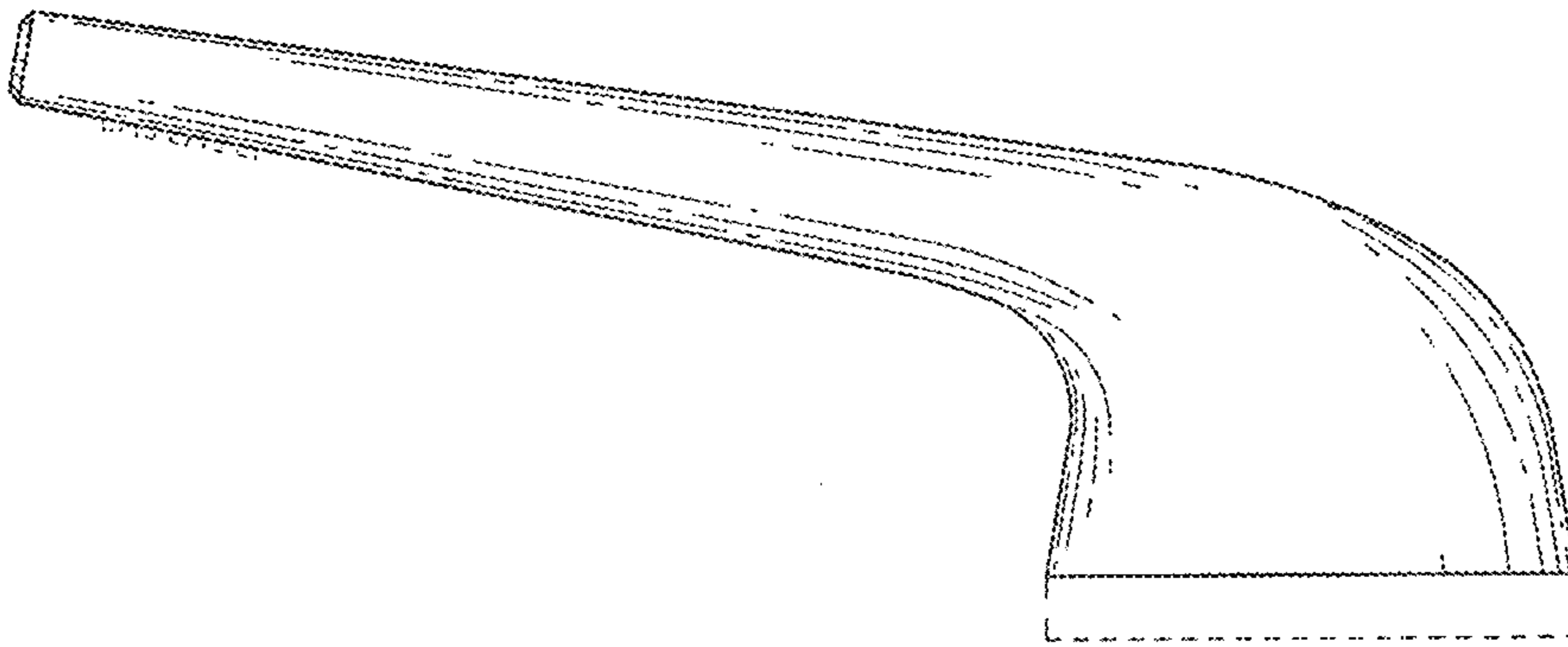


FIG. 5

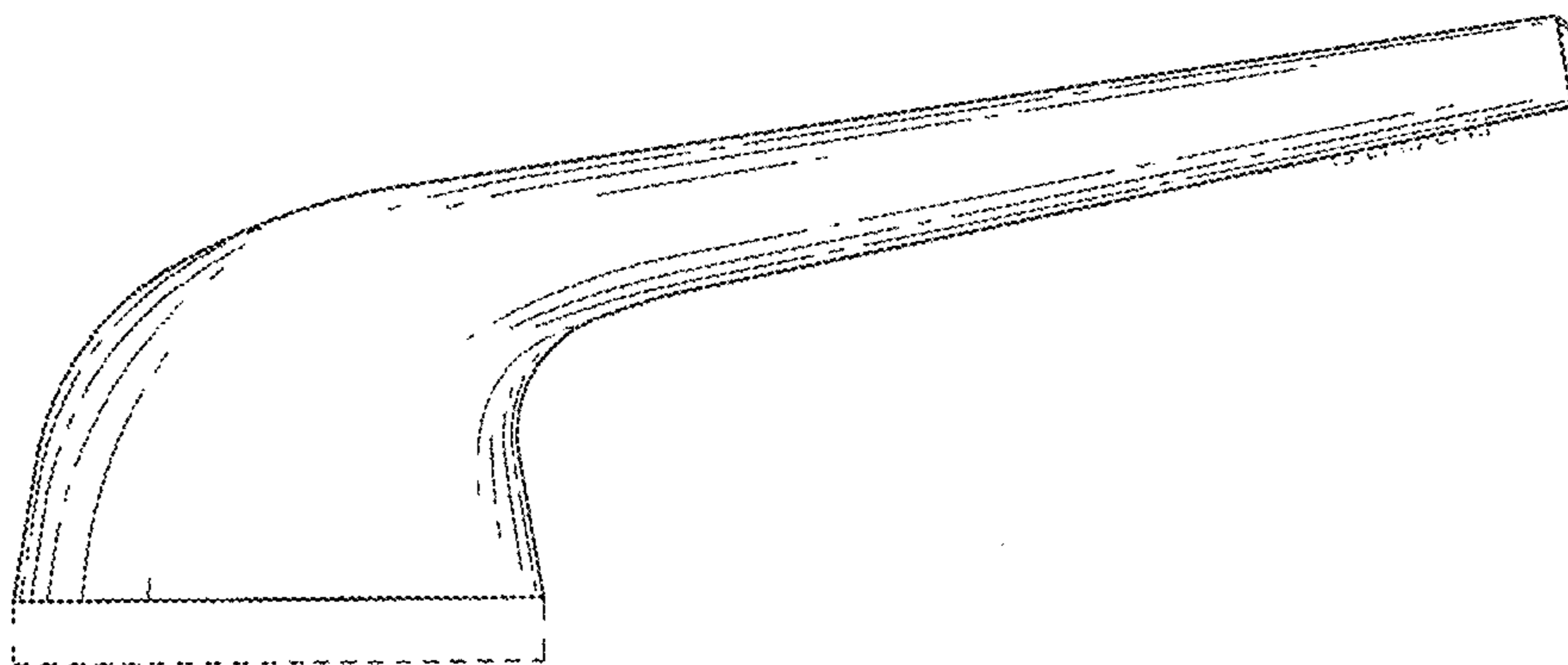


FIG. 7

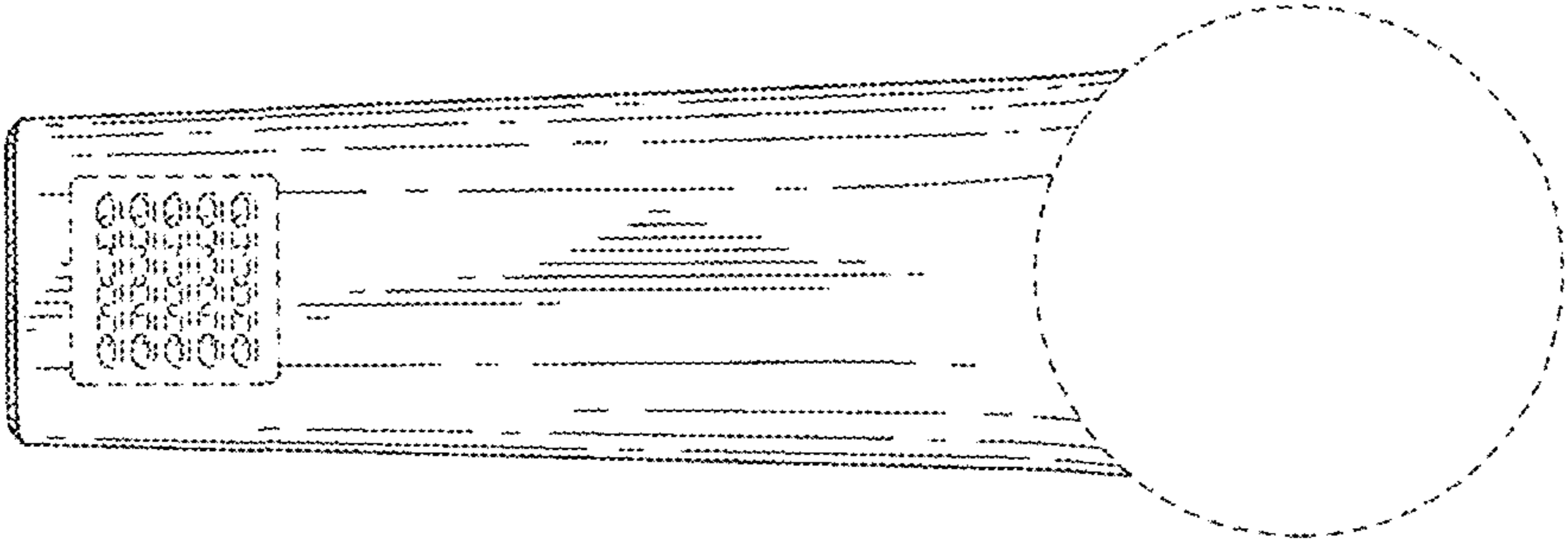


FIG. 6

