



US00D819184S

(12) **United States Design Patent** (10) **Patent No.:** **US D819,184 S**
Seum et al. (45) **Date of Patent:** **** May 29, 2018**

(54) **SHOWER MIXER**

(71) Applicant: **Grohe AG**, Hemer (DE)

(72) Inventors: **Michael Seum**, Duesseldorf (DE);
Mirko Goetzen, Duesseldorf (DE)

(73) Assignee: **Grohe AG**, Hemer (DE)

(**) Term: **15 Years**

(21) Appl. No.: **29/608,200**

(22) Filed: **Jun. 20, 2017**

(30) **Foreign Application Priority Data**

Dec. 20, 2016 (EM) 003529098-0002

(51) **LOC (11) Cl.** **23-01**

(52) **U.S. Cl.**
USPC **D23/254**

(58) **Field of Classification Search**
USPC D23/238-242, 249, 250, 252, 254
CPC Y10T 137/9464
See application file for complete search history.

(56) **References Cited**

U.S. PATENT DOCUMENTS

D500,841 S * 1/2005 Citterio D23/238
D514,664 S * 2/2006 Starck D23/238

D573,230 S * 7/2008 Sieger D23/238
D584,799 S * 1/2009 Zetsche D23/238
D677,365 S * 3/2013 Schoenherr D23/238
D758,551 S * 6/2016 Flowers D23/255

* cited by examiner

Primary Examiner — Robert A Delehanty

(74) *Attorney, Agent, or Firm* — Muncy, Geissler, Olds & Lowe, P.C.

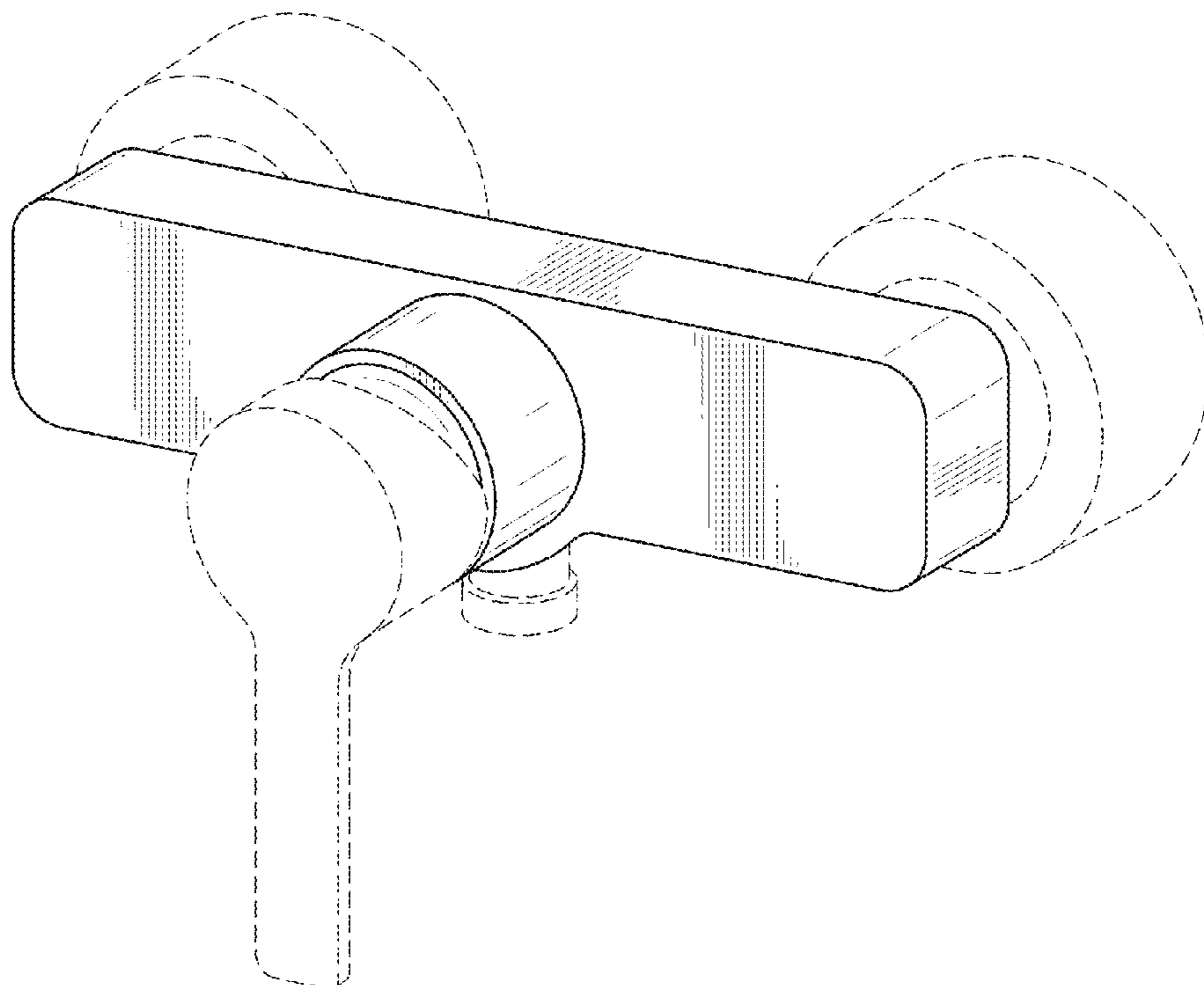
(57) **CLAIM**

The ornamental design for a shower mixer, as shown and described.

DESCRIPTION

FIG. 1 is a front perspective view of a shower mixer according to the present invention.
FIG. 2 is a front view of the shower mixer of FIG. 1.
FIG. 3 is a rear view of the shower mixer of FIG. 1.
FIG. 4 is a left side view of the shower mixer of FIG. 1.
FIG. 5 is a right side view of the shower mixer of FIG. 1.
FIG. 6 is a top view of the shower mixer of FIG. 1; and, FIG. 7 is a bottom view of the shower mixer of FIG. 1.
The dashed lines illustrate environment that does not form a part of the present invention, and no claim is made to the material illustrated with dashed lines.

1 Claim, 7 Drawing Sheets



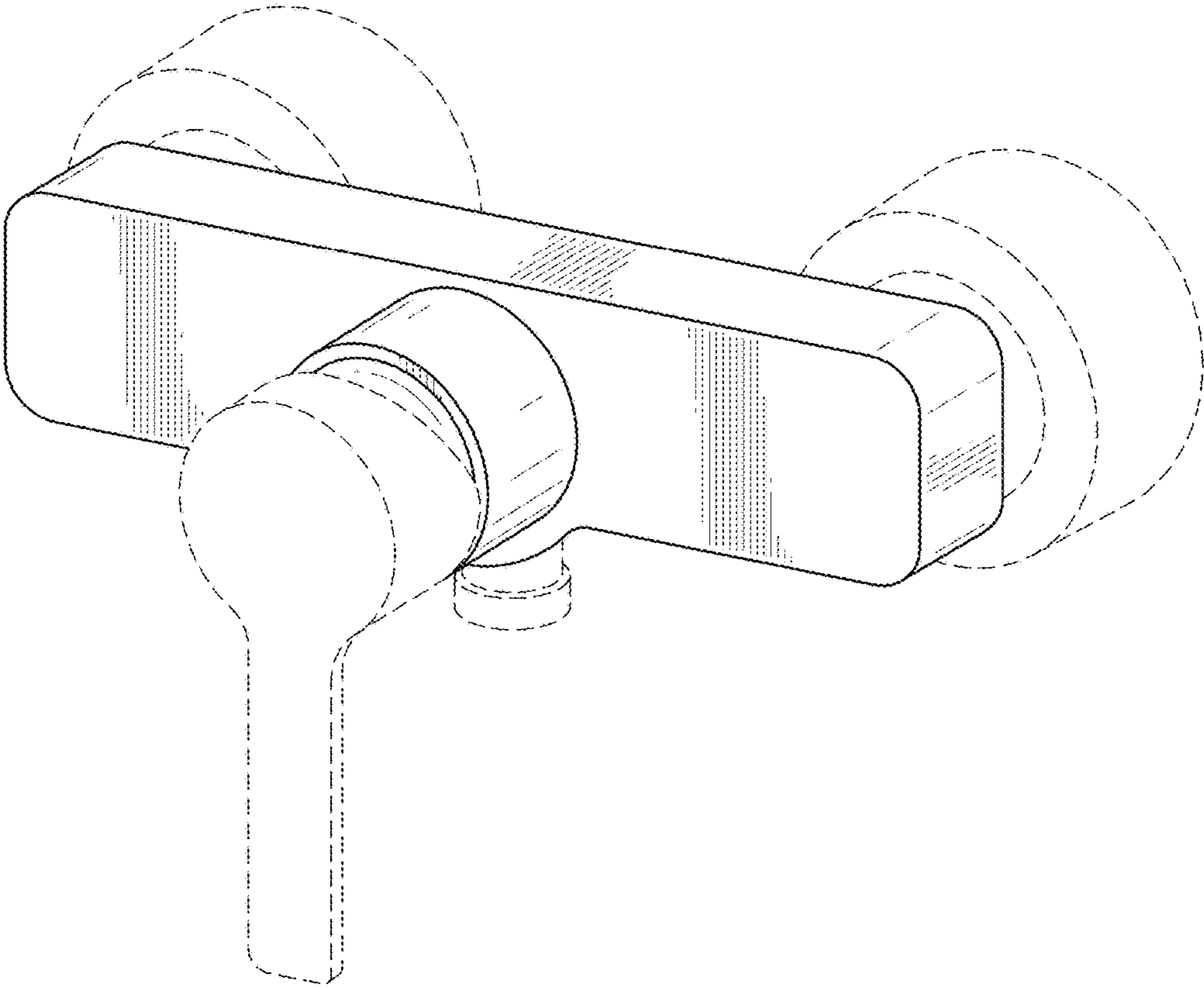


FIG.1

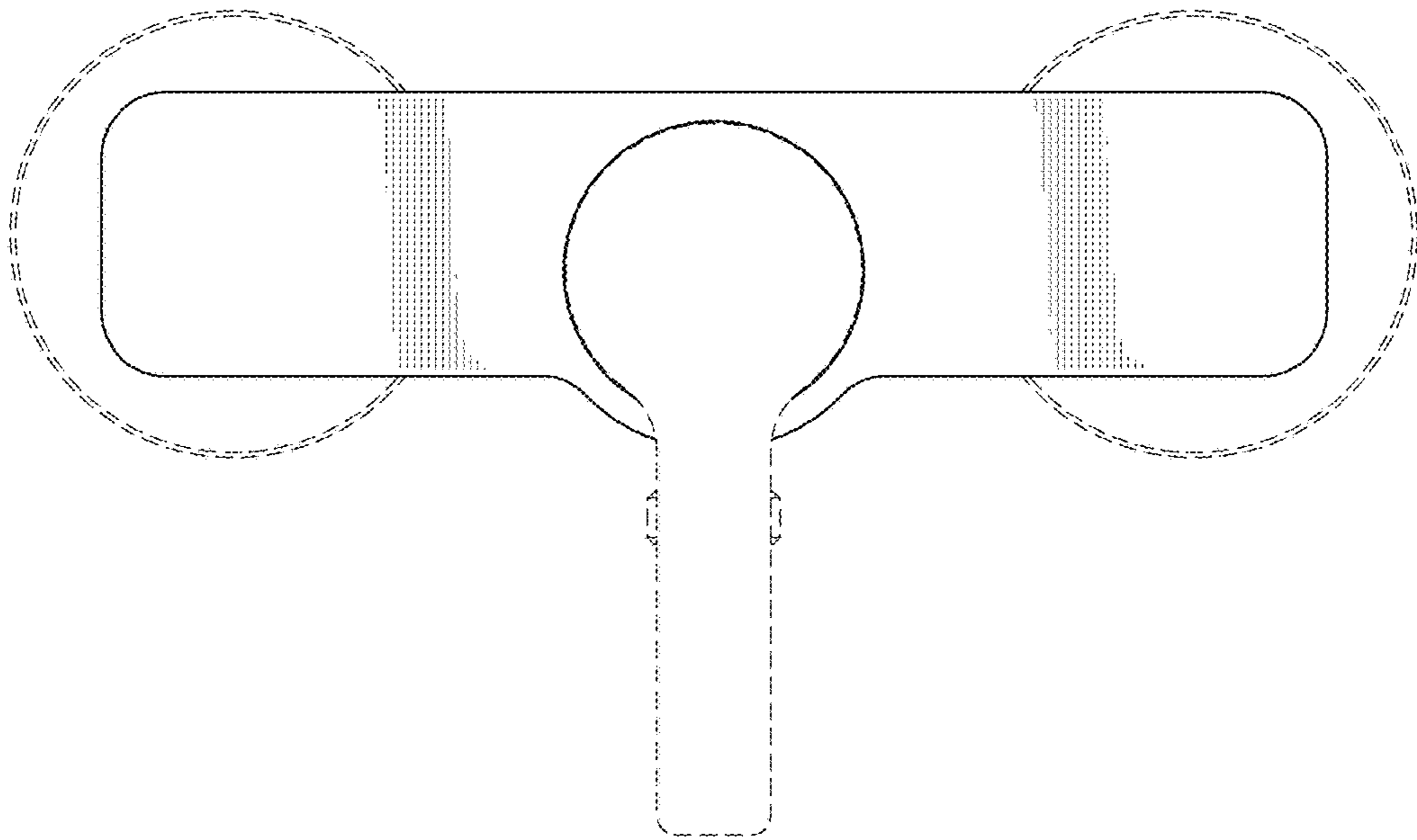


FIG.2

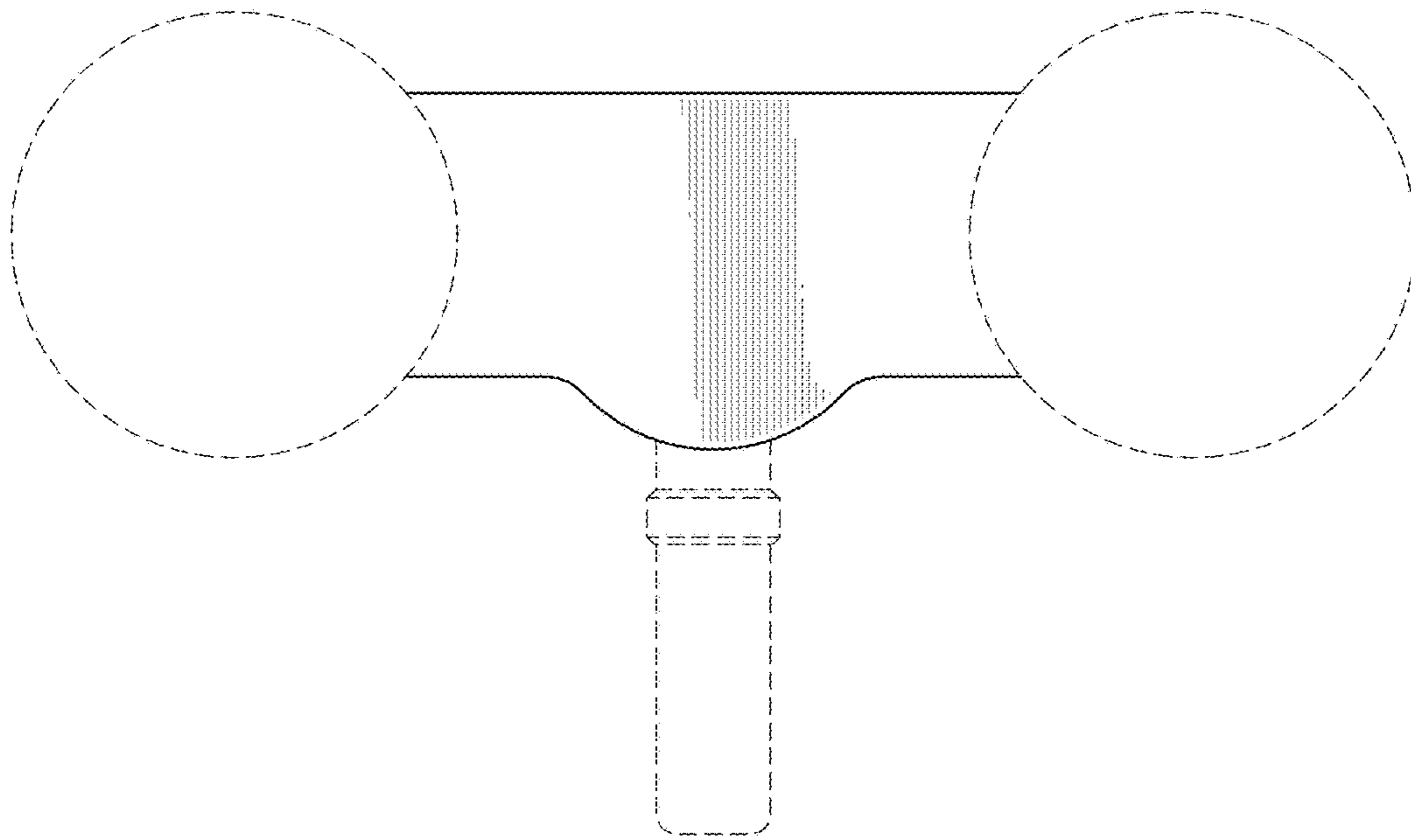


FIG.3

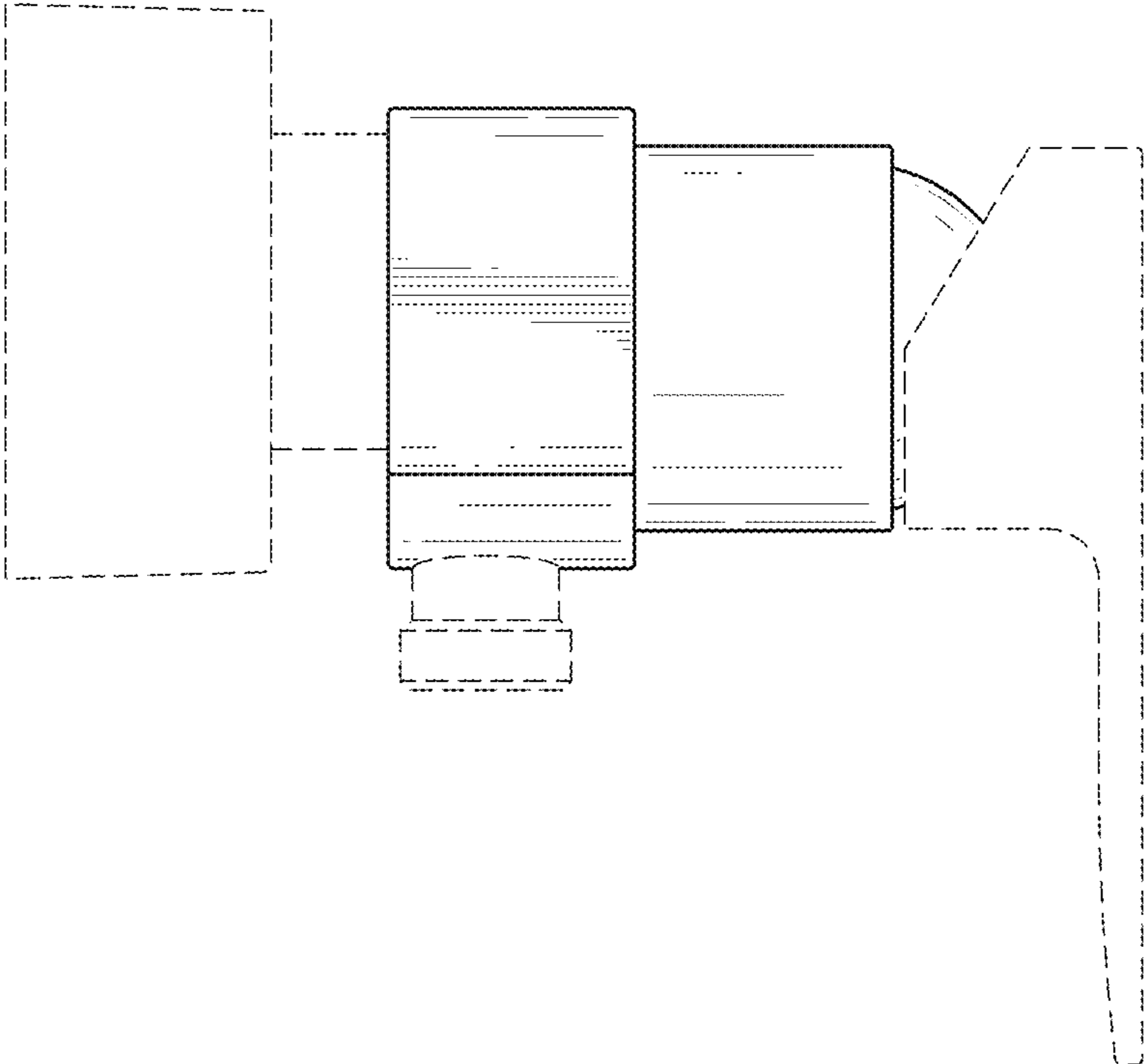


FIG.4

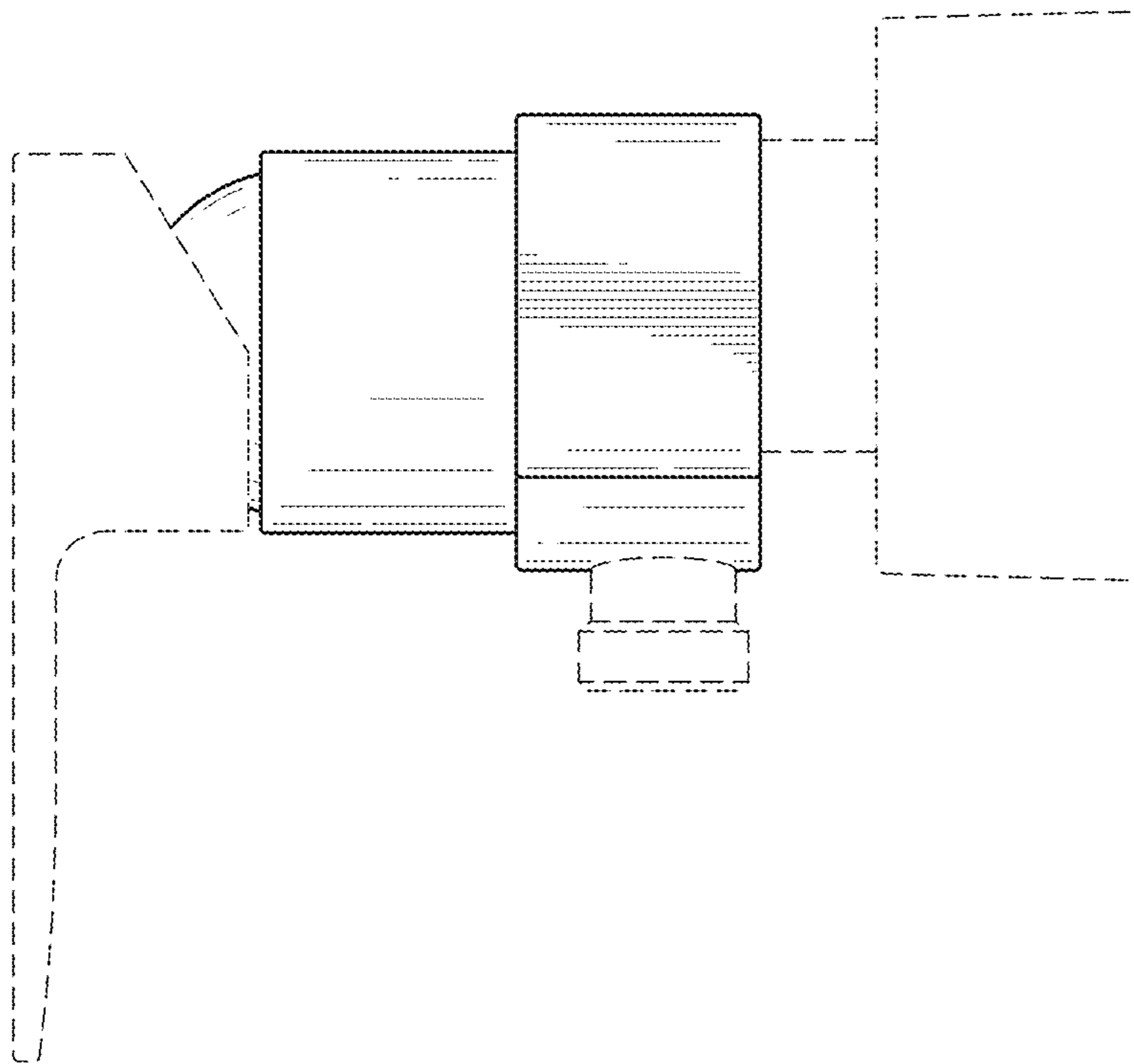


FIG. 5

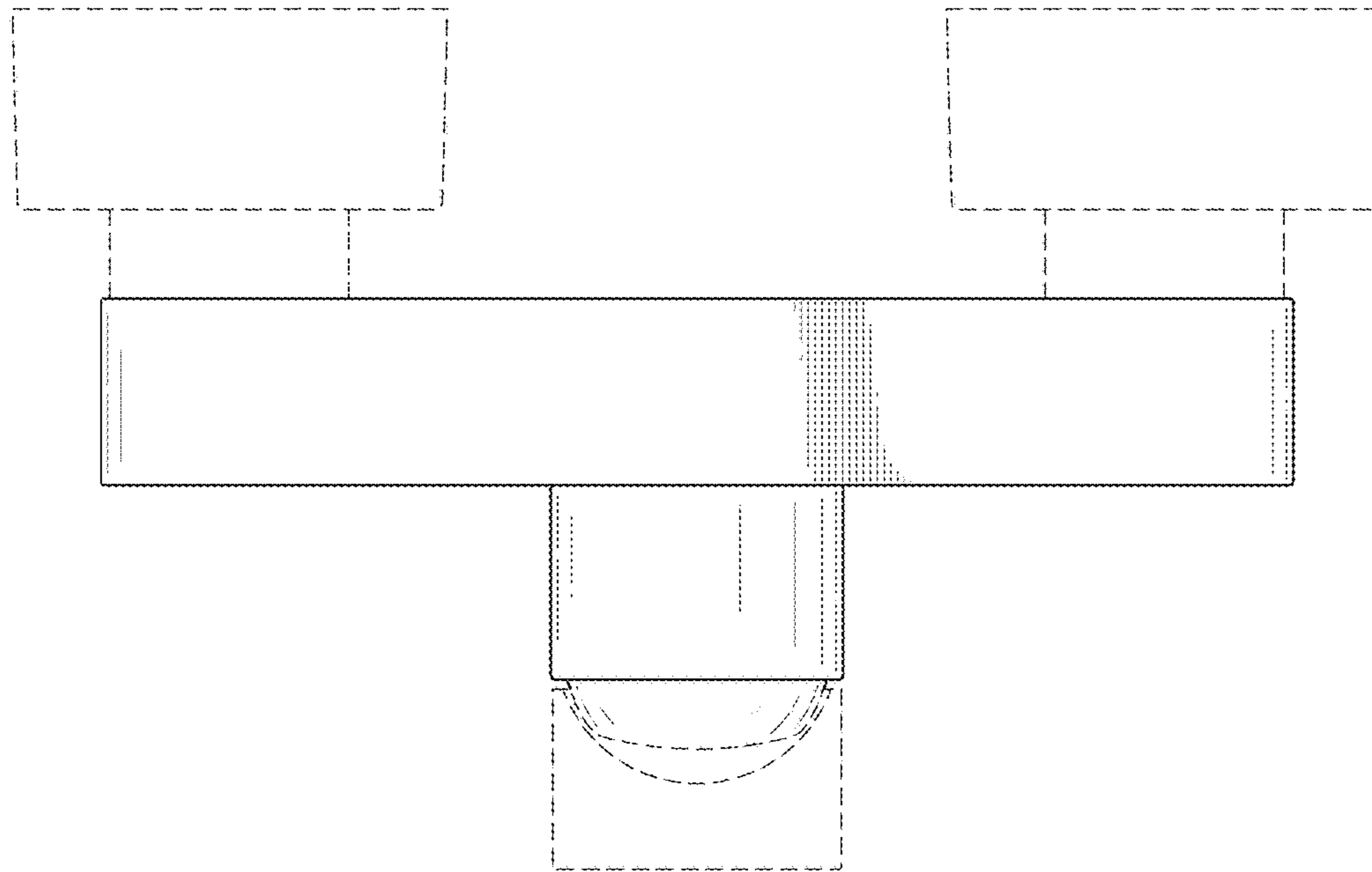


FIG.6

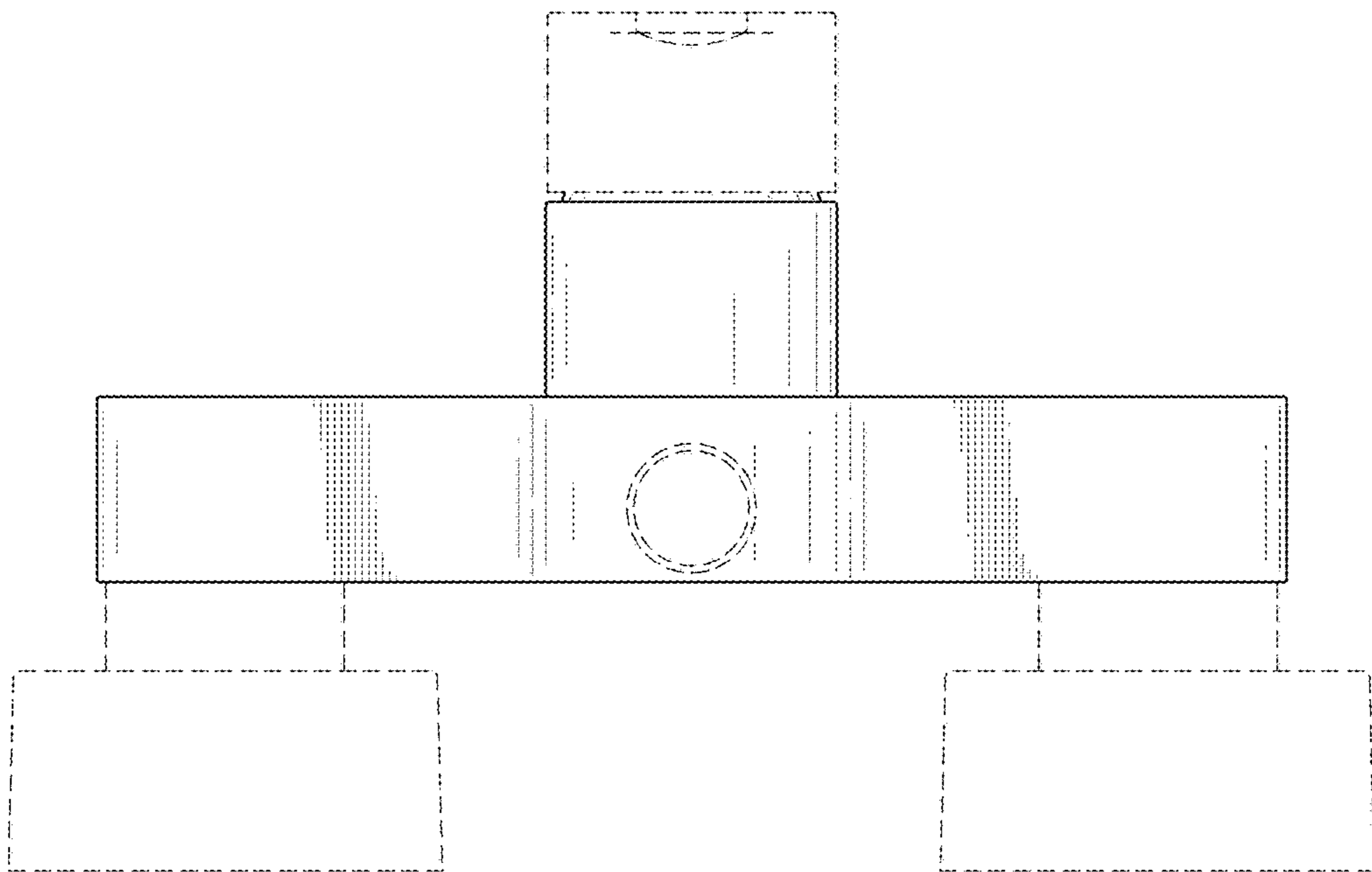


FIG. 7