



US00D819183S

(12) **United States Design Patent**
Seum et al.

(10) **Patent No.:** **US D819,183 S**

(45) **Date of Patent:** **** May 29, 2018**

(54) **SHOWER MIXER TRIM**

(71) Applicant: **Grohe AG**, Hemer (DE)

(72) Inventors: **Michael Seum**, Duesseldorf (DE);
Hans Lobermeier, Menden (DE)

(73) Assignee: **Grohe AG**, Hemer (DE)

(**) Term: **15 Years**

(21) Appl. No.: **29/607,549**

(22) Filed: **Jun. 14, 2017**

(30) **Foreign Application Priority Data**

Dec. 14, 2016 (EM) 003517036-0004

(51) **LOC (11) Cl.** **23-01**

(52) **U.S. Cl.**
USPC **D23/254**

(58) **Field of Classification Search**
USPC D23/250, 254, 238-24, 249; D8/300,
D8/308, 352-353, 312
CPC Y10T 137/9464
See application file for complete search history.

(56) **References Cited**

U.S. PATENT DOCUMENTS

D223,797 S * 6/1972 Jensen et al. D23/250
D450,812 S * 11/2001 Lobermeier D23/254
D475,270 S * 6/2003 Loyd D8/312
D592,284 S * 5/2009 Lammel D23/254

D597,179 S * 7/2009 Schoenherr D23/254
D598,074 S * 8/2009 Starck D23/254
D652,898 S * 1/2012 Flowers D23/252
D698,011 S * 1/2014 Schoenherr D8/352
D774,169 S * 12/2016 Kington D23/254
D786,406 S * 5/2017 Schoenherr D23/250
D795,395 S * 8/2017 Kington D23/250

* cited by examiner

Primary Examiner — Robert A Delehanty

(74) *Attorney, Agent, or Firm* — Muncy, Geissler, Olds & Lowe, P.C.

(57) **CLAIM**

The ornamental design for a shower mixer trim, as shown and described.

DESCRIPTION

FIG. 1 is a front perspective view of a shower mixer trim according to the present invention.

FIG. 2 is a front view of the shower mixer trim of FIG. 1.

FIG. 3 is a rear view of the shower mixer trim of FIG. 1.

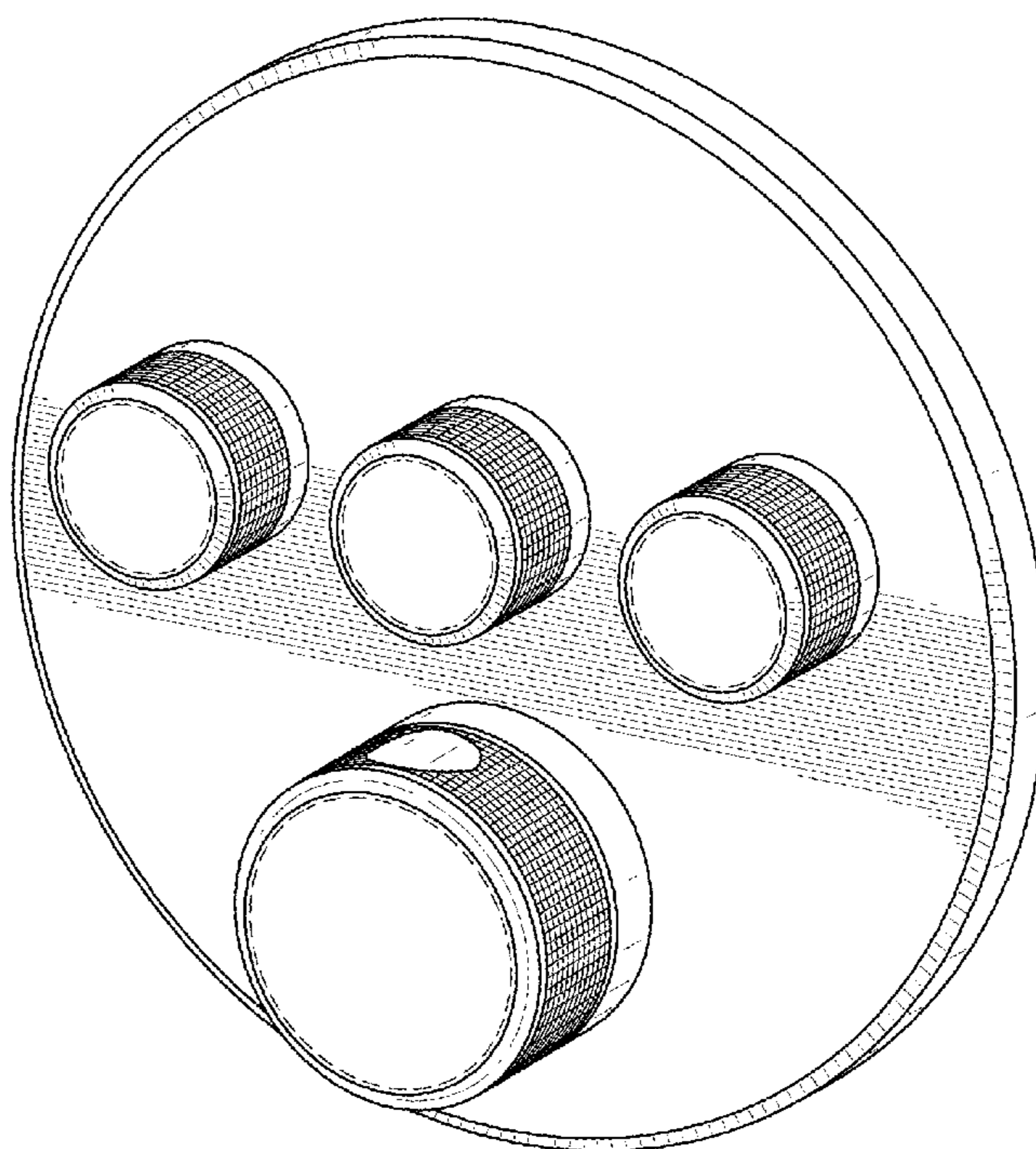
FIG. 4 is a left side view of the shower mixer trim of FIG. 1.

FIG. 5 is a right side view of the shower mixer trim of FIG. 1.

FIG. 6 is a top view of the shower mixer trim of FIG. 1; and, FIG. 7 is a bottom view of the shower mixer trim of FIG. 1.

The dashed lines shown on the top surfaces of the knobs and on the rear of the shower mixer trim define the bounds of the claimed design and no claim is made to the material illustrated within the dashed lines thereof.

1 Claim, 7 Drawing Sheets



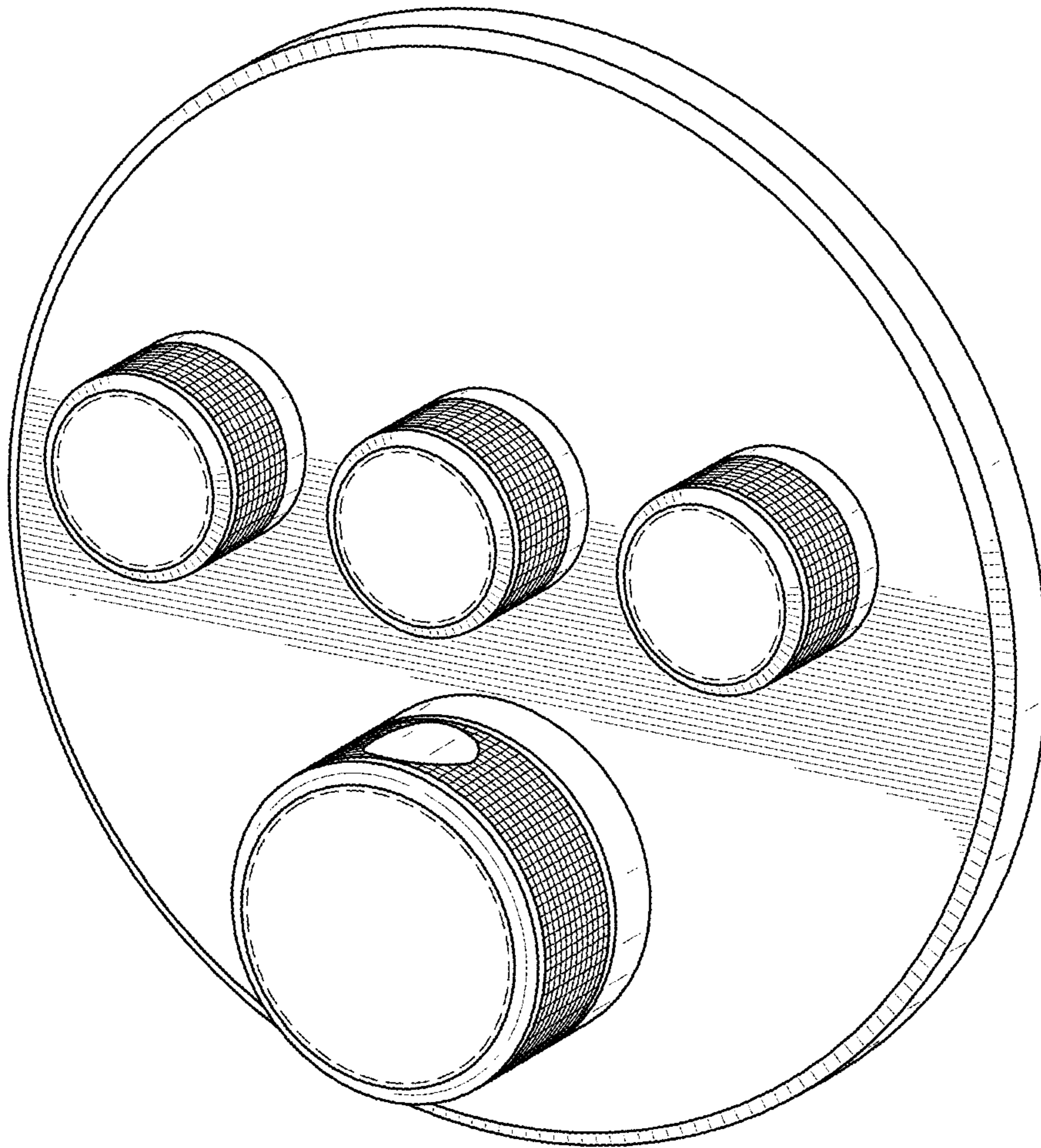


FIG. 1

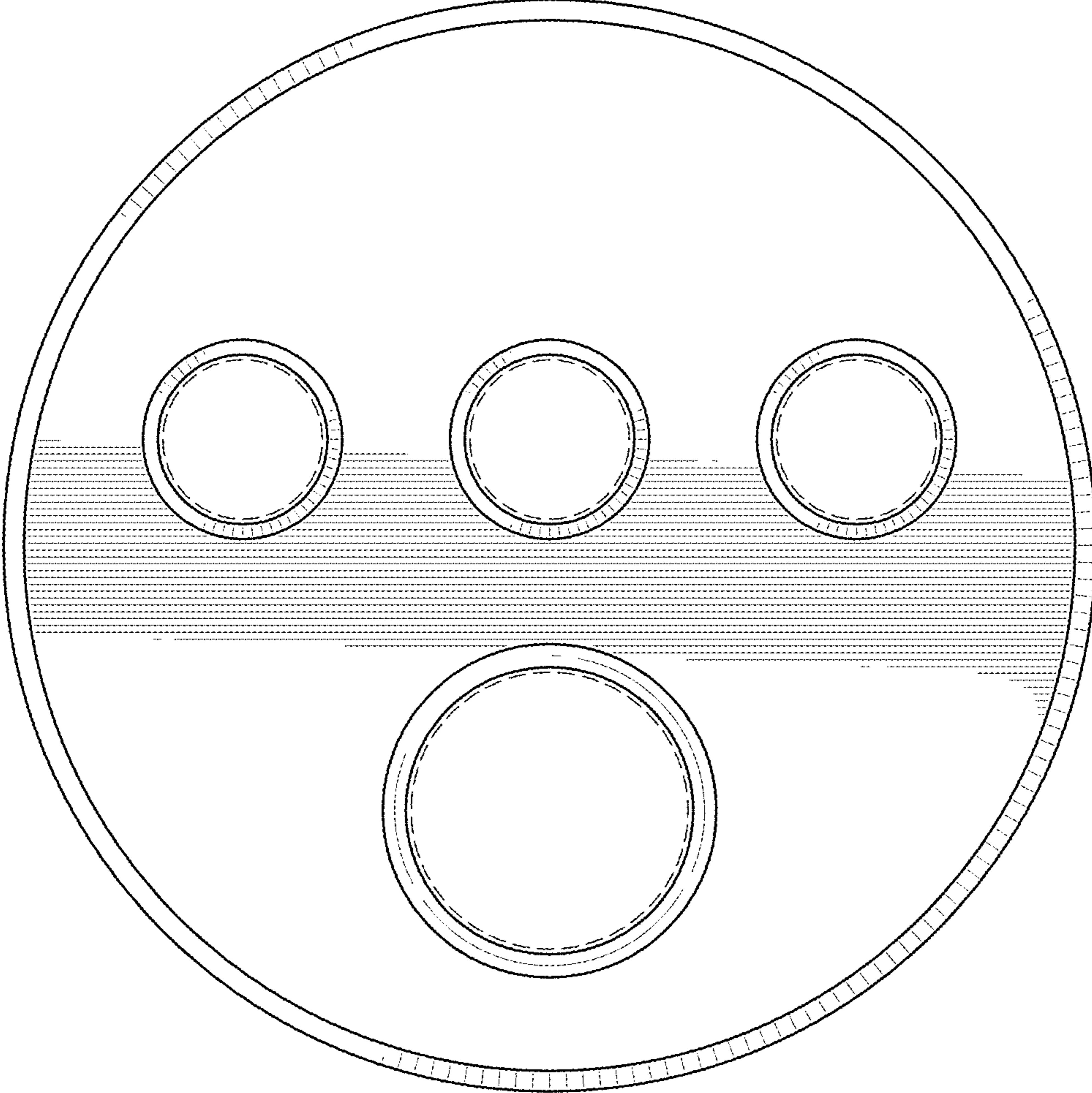


FIG.2

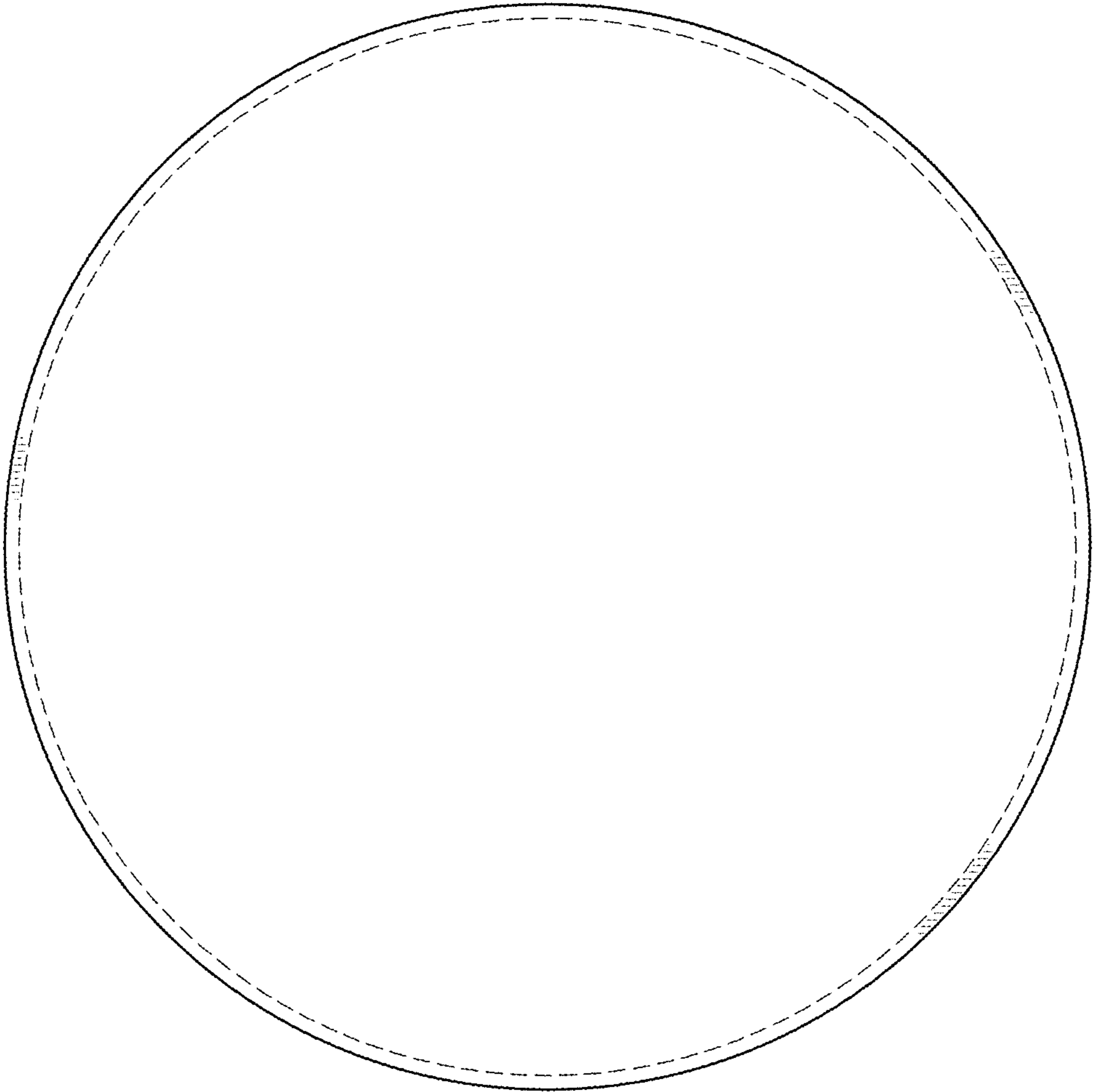


FIG.3

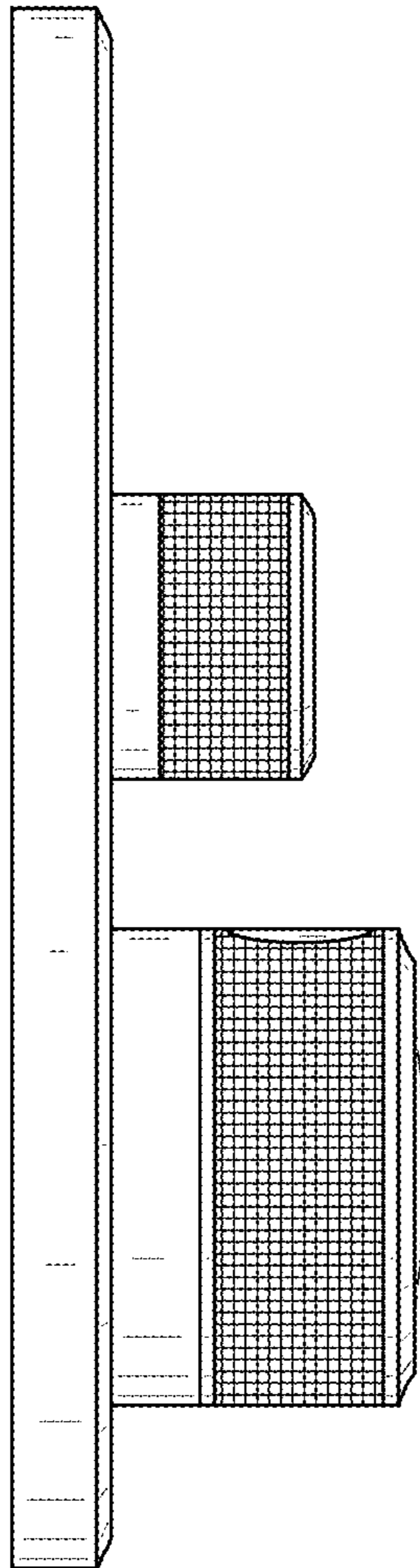


FIG.4

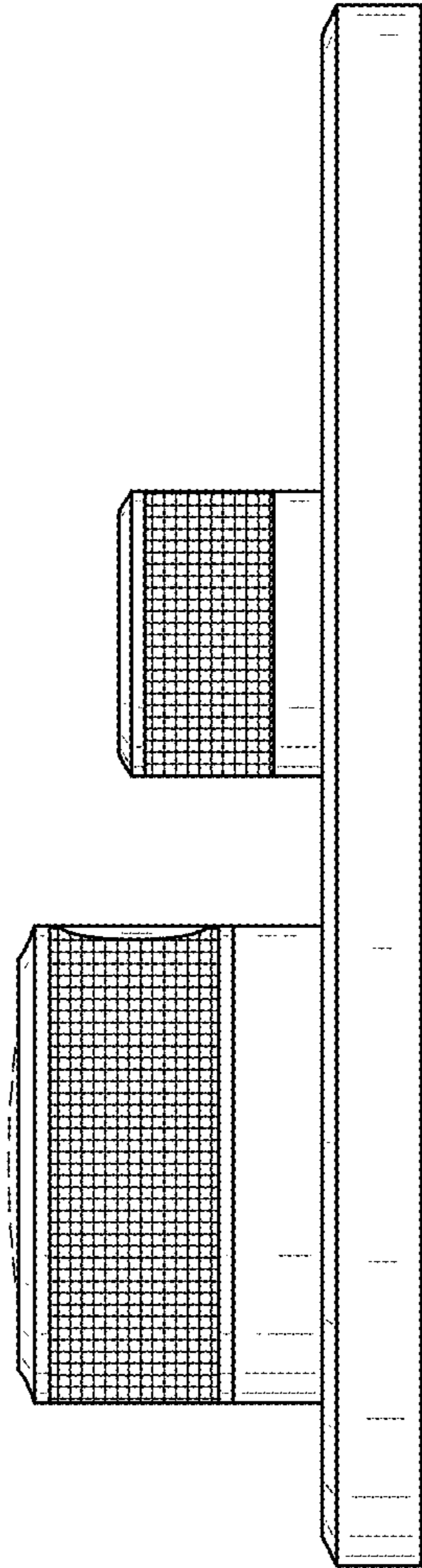


FIG.5

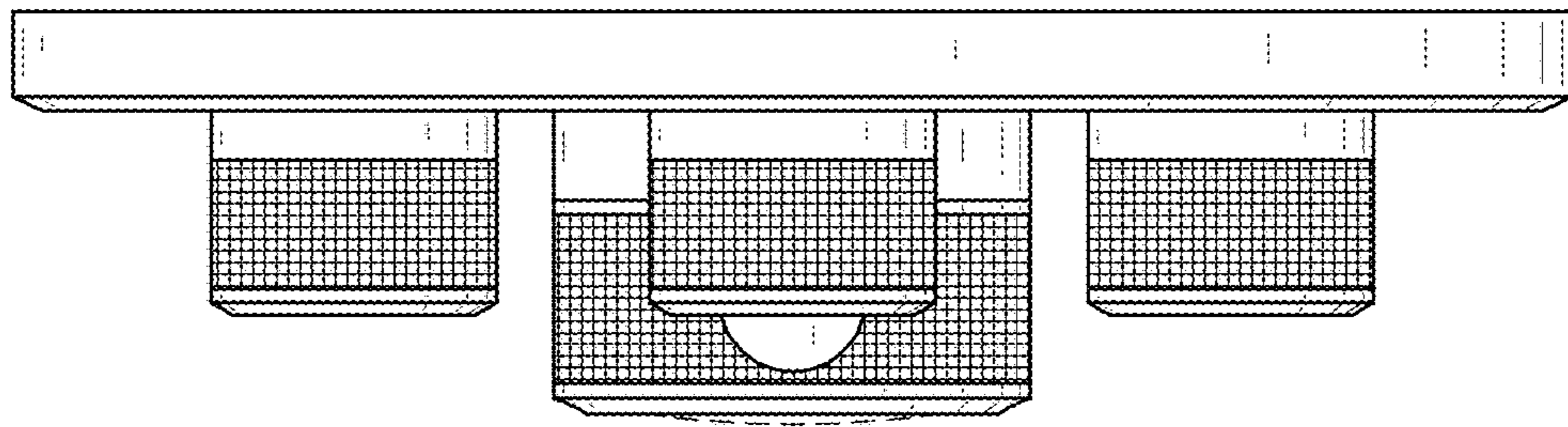


FIG.6

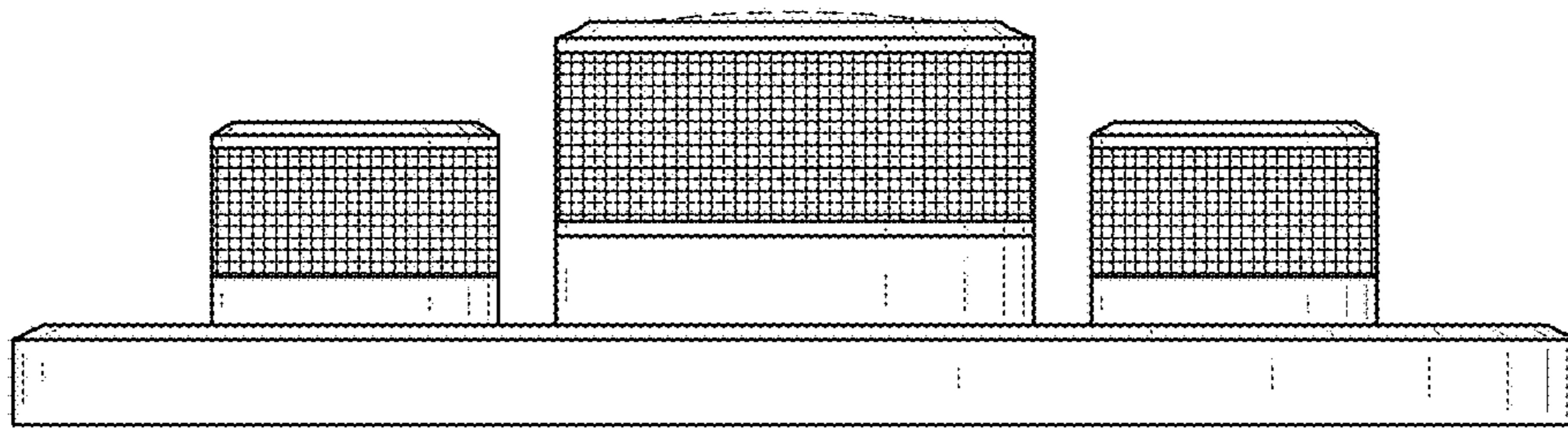


FIG.7