



US00D819179S

(12) **United States Design Patent** (10) **Patent No.:** **US D819,179 S**  
**Soulier** (45) **Date of Patent:** **\*\* May 29, 2018**

(54) **FAUCET HANDLE**

D636,062 S 4/2011 Rubin et al.  
D698,420 S 1/2014 Hahn et al.  
D786,407 S \* 5/2017 Clarke ..... D23/252

(71) Applicant: **Kohler Co.**, Kohler, WI (US)

\* cited by examiner

(72) Inventor: **Jean-Hugues Soulier**, Paris (FR)

*Primary Examiner* — Robert A Delehanty

(73) Assignee: **KOHLER CO.**, Kohler, WI (US)

(74) *Attorney, Agent, or Firm* — Foley & Lardner LLP

(\*\*) Term: **15 Years**

(57) **CLAIM**

I claim the ornamental design for a faucet handle, as shown and described.

(21) Appl. No.: **29/585,143**

**DESCRIPTION**

(22) Filed: **Nov. 21, 2016**

(51) **LOC (11) Cl.** ..... **23-01**

(52) **U.S. Cl.**

USPC ..... **D23/250**

(58) **Field of Classification Search**

USPC ..... D8/300, 307, 308

CPC ..... Y10T 137/9464

See application file for complete search history.

FIG. 1 is a top, front, right perspective view of the claimed design, according to an exemplary embodiment;  
FIG. 2 is a front elevation view thereof;  
FIG. 3 is a rear elevation view thereof;  
FIG. 4 is a right side elevation view thereof;  
FIG. 5 is a left side elevation view thereof;  
FIG. 6 is a top plan view thereof; and,  
FIG. 7 is a bottom plan view thereof.

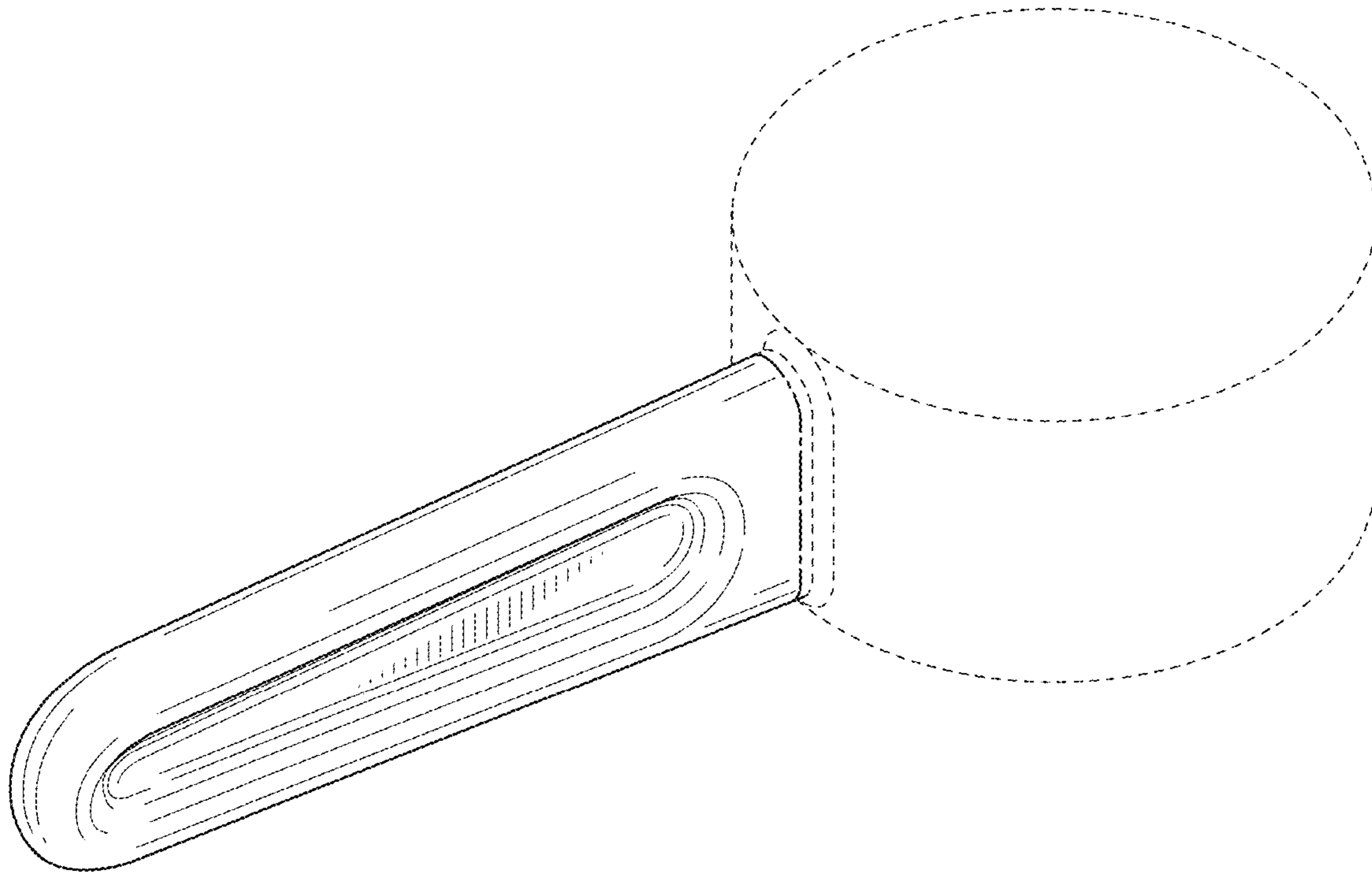
The ornamental design which is claimed is shown in solid lines in the drawings. The broken lines in the drawings are for illustrative purposes only and form no part of the claimed design. Broken lines formed by equal length dashes show unclaimed subject matter. Broken lines formed by unequal length dashes (i.e., dash-dot) define bounds of the claimed design.

(56) **References Cited**

**U.S. PATENT DOCUMENTS**

D531,267 S 10/2006 Hundley  
D532,086 S \* 11/2006 Haug ..... D23/252  
D533,924 S 12/2006 Kirar  
D635,220 S 3/2011 Rubin et al.  
D635,221 S 3/2011 Rubin et al.

**1 Claim, 3 Drawing Sheets**



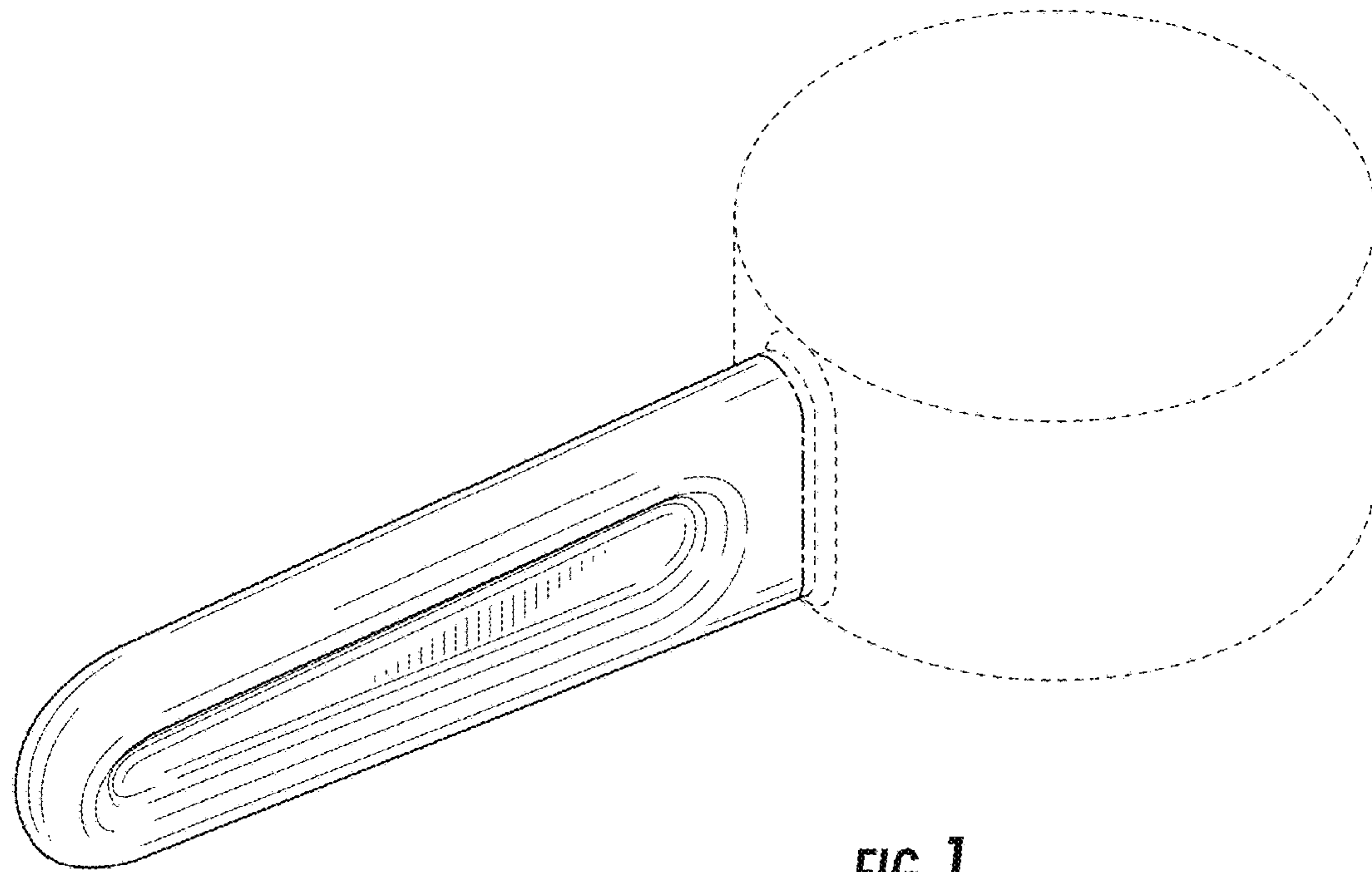


FIG. 1

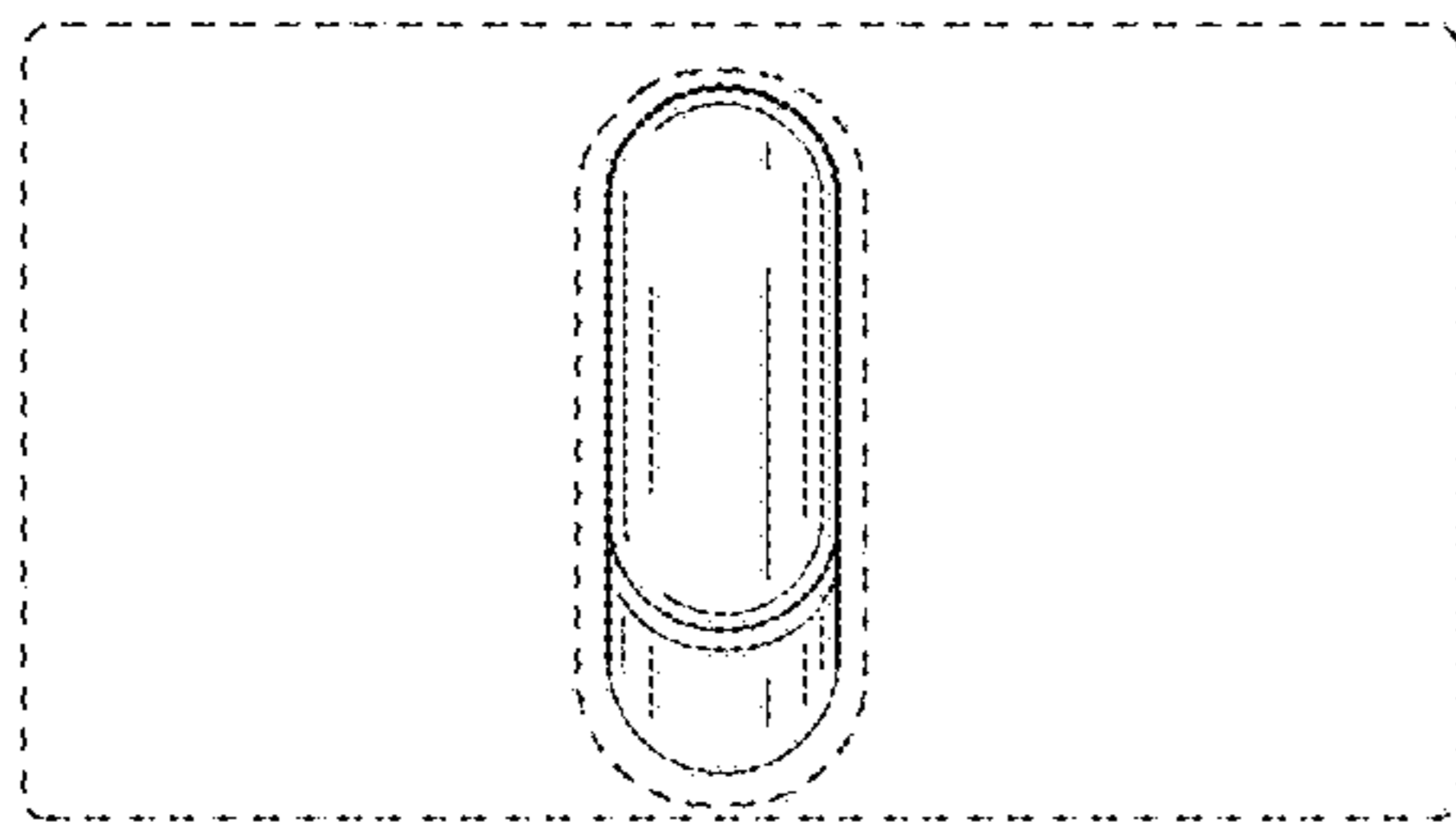


FIG. 2



FIG. 3

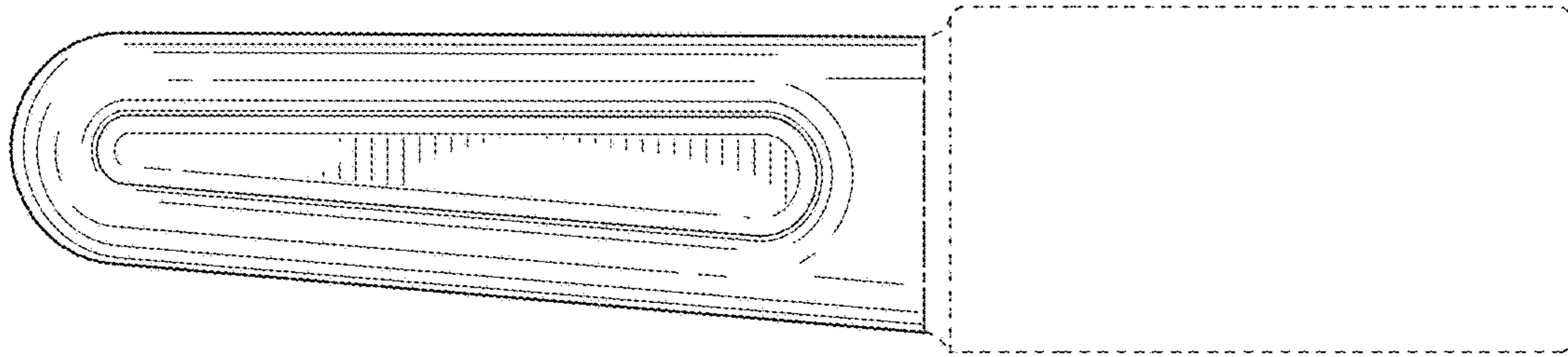


FIG. 4

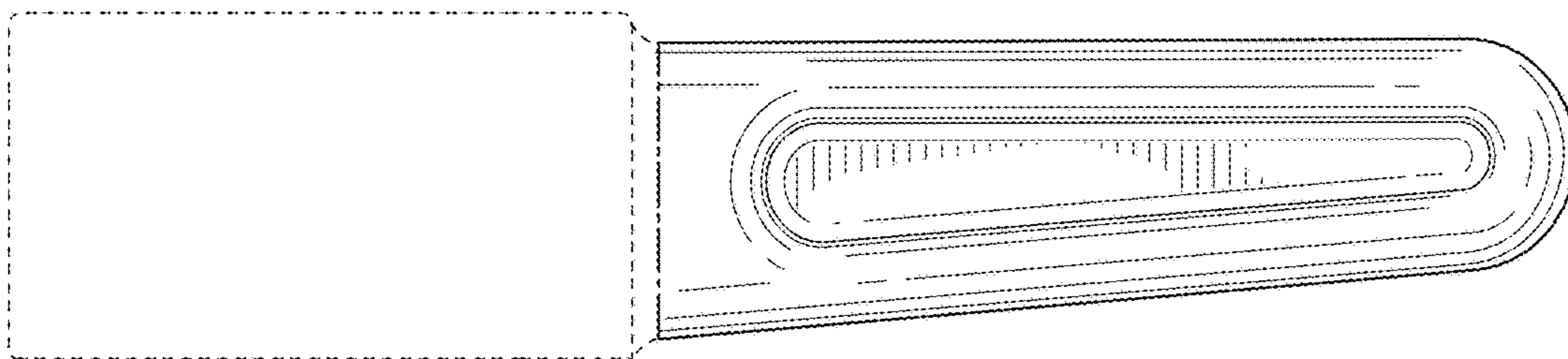
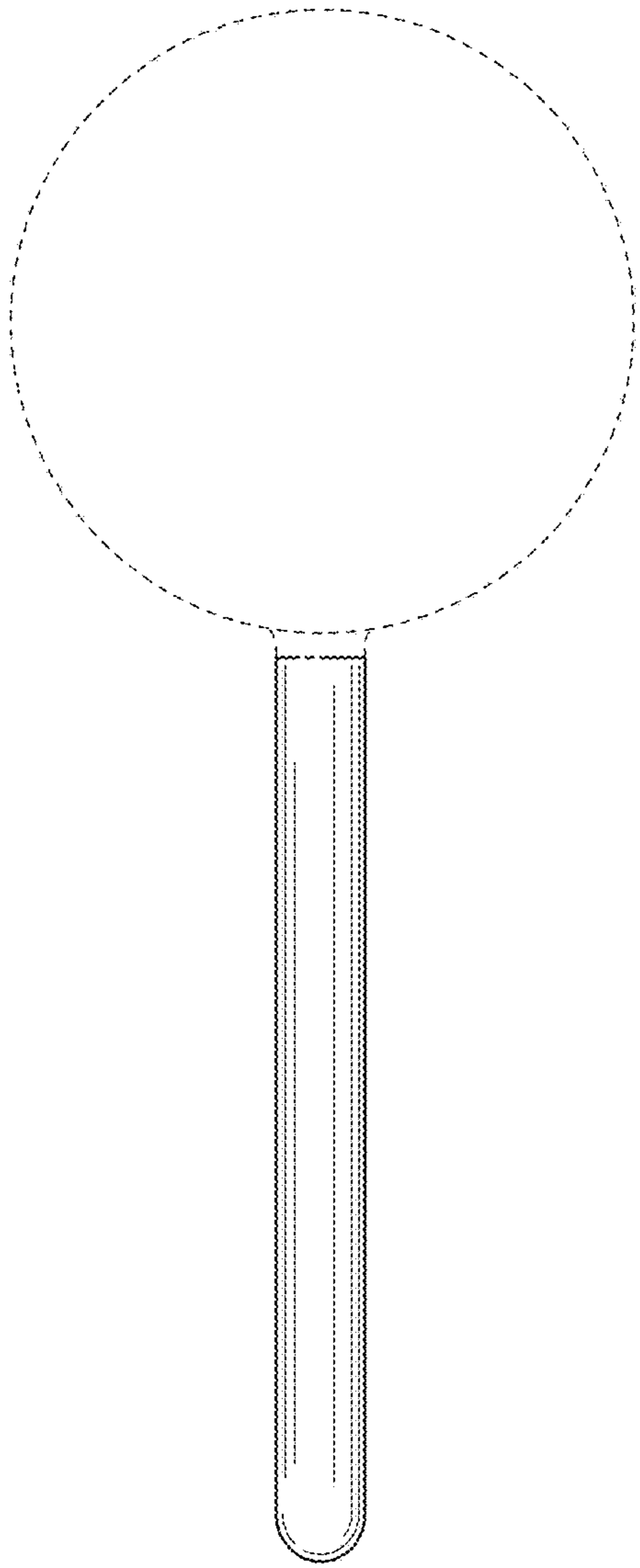
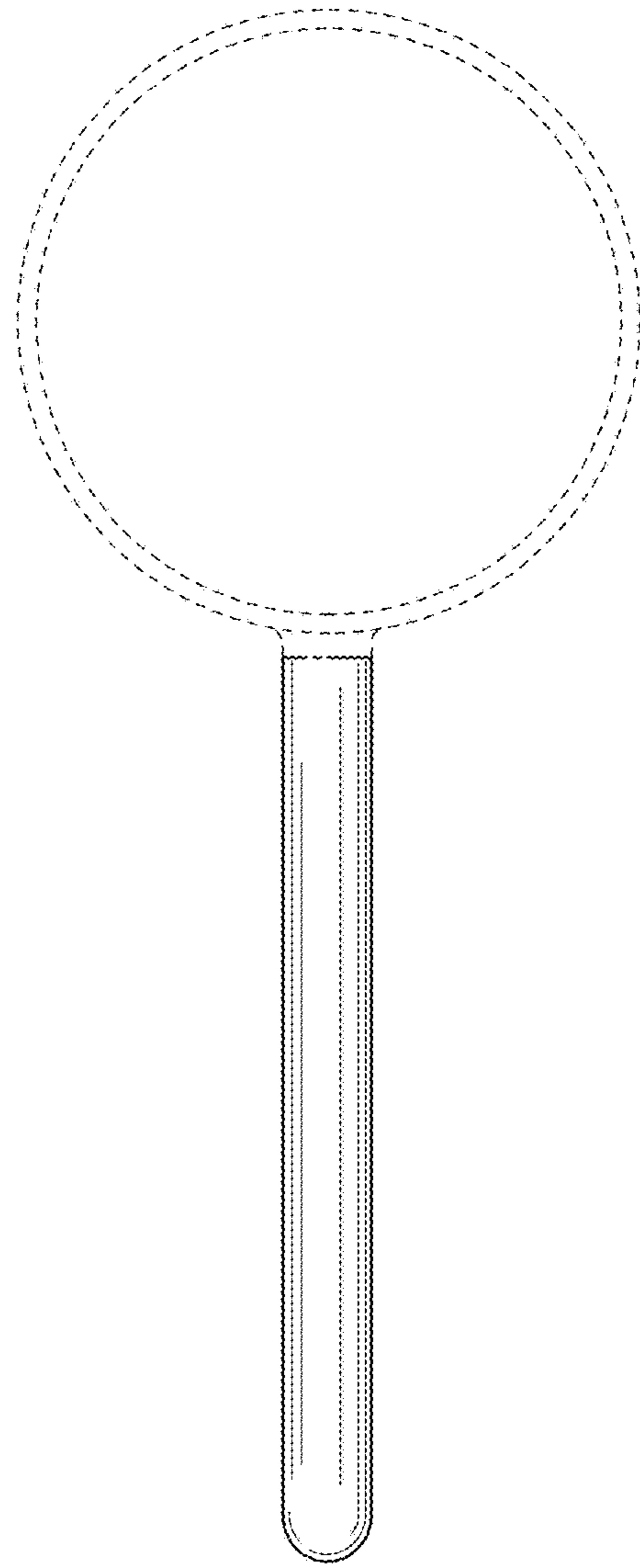


FIG. 5



**FIG. 6**



**FIG. 7**