



US00D819178S

(12) **United States Design Patent** (10) **Patent No.:** **US D819,178 S**
Clarke (45) **Date of Patent:** **** May 29, 2018**

(54) **FAUCET**

- (71) Applicant: **Kohler Co.**, Kohler, WI (US)
- (72) Inventor: **Gary N. Clarke**, Sheboygan, WI (US)
- (73) Assignee: **KOHLER CO.**, Kohler, WI (US)
- (**) Term: **15 Years**
- (21) Appl. No.: **29/610,592**
- (22) Filed: **Jul. 13, 2017**

Related U.S. Application Data

- (62) Division of application No. 29/594,722, filed on Feb. 22, 2017, now Pat. No. Des. 795,397, which is a division of application No. 29/566,968, filed on Jun. 3, 2016, now Pat. No. Des. 783,780.
- (51) **LOC (11) Cl.** **23-01**
- (52) **U.S. Cl.**
USPC **D23/249; D23/255; D23/257**
- (58) **Field of Classification Search**
USPC **D23/238–243, 249, 255, 257**
CPC **Y10T 137/9464**
See application file for complete search history.

(56) **References Cited**

U.S. PATENT DOCUMENTS

4,709,715 A	12/1987	Knight
D491,253 S	6/2004	Hansle
D573,696 S	7/2008	Eilmus
D576,705 S	9/2008	McKeone
D585,110 S	1/2009	Paini
D587,343 S	2/2009	Nobili
D607,544 S	1/2010	Roy
D651,284 S	12/2011	Flowers
D677,366 S	3/2013	Chen
D683,825 S	6/2013	Sofield
D691,708 S	10/2013	Georgeson et al.
D697,589 S	1/2014	Georgeson

(Continued)

OTHER PUBLICATIONS

Kohler Price Book; Kitchen Faucets 'Quick Lok'; pp. 160-196; 37 pages.

Primary Examiner — Robert A Delehanty

(74) *Attorney, Agent, or Firm* — Foley & Lardner LLP

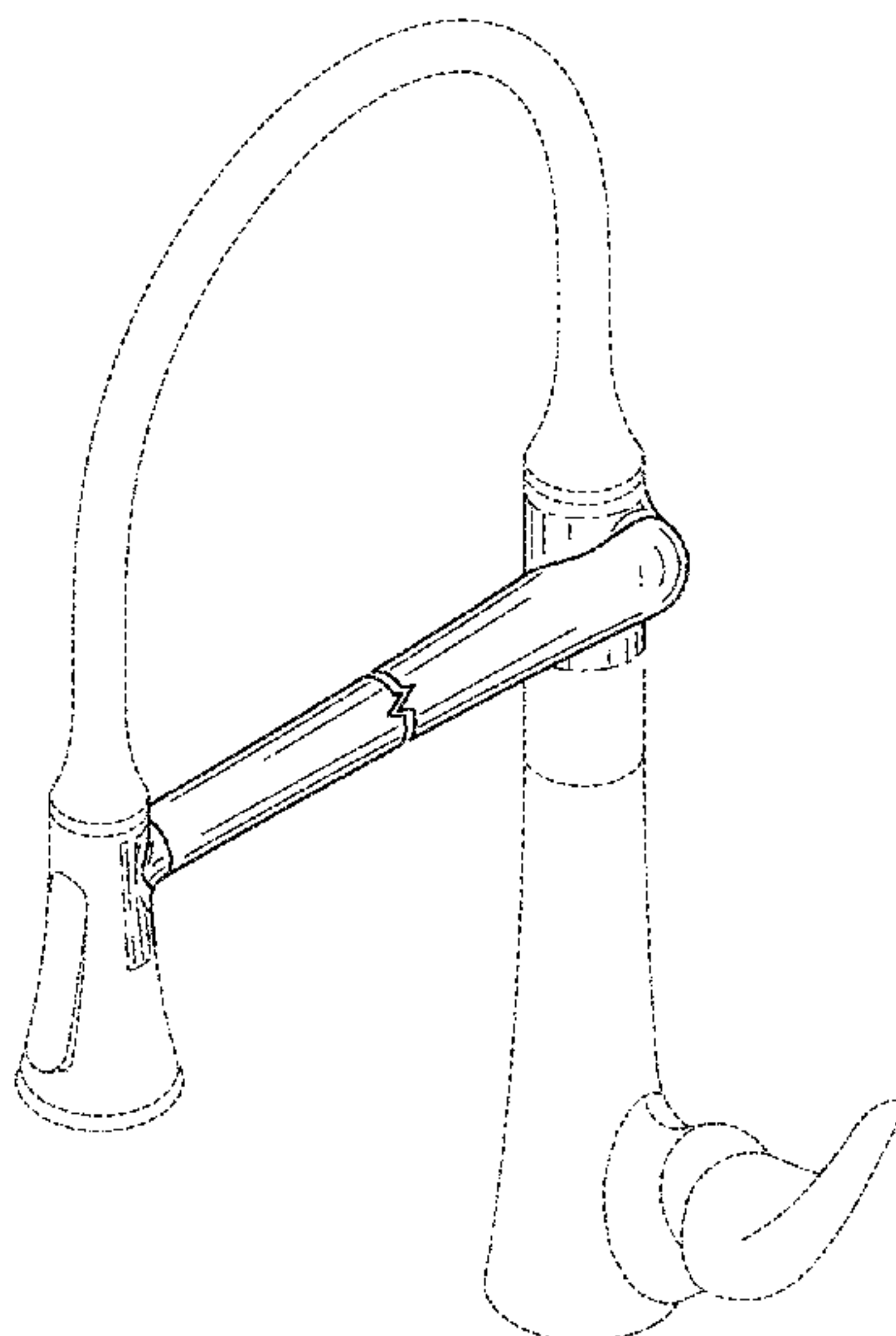
(57) **CLAIM**

I claim the ornamental design for a faucet, as shown and described.

DESCRIPTION

FIG. 1 is a perspective view of an embodiment of the claimed design in a use position;
 FIG. 2 is a side view of the claimed design shown in FIG. 1;
 FIG. 3 is a front side view of the claimed design shown in FIG. 1;
 FIG. 4 is top view of the claimed design shown in FIG. 1;
 FIG. 5 is a perspective view of the claimed design shown in FIG. 1 in another use position;
 FIG. 6 is a side view of the claimed design shown in FIG. 5;
 FIG. 7 is a front side view of the claimed design shown in FIG. 5; and,
 FIG. 8 is top view of the claimed design shown in FIG. 5.
 The ornamental design that is claimed is shown in the drawings as solid lines and surfaces having surface shading. The broken lines in the drawings are for illustrative purposes only and form no part of the claimed design. For example, broken lines formed by equal length dashes show unclaimed portions of the design. Broken lines formed of unequal length dashes (i.e., dash-dot) show boundaries between either claimed and unclaimed portions of the design or between unclaimed and unclaimed portions of the design. Lines having a jagged element are not part of the claimed design and show that differing lengths of the portion are possible.

1 Claim, 6 Drawing Sheets



(56)

References Cited

U.S. PATENT DOCUMENTS

D703,789 S	4/2014	Mazz et al.
D703,790 S	4/2014	Mazz et al.
D713,939 S	9/2014	Mazz et al.
8,869,821 B2	10/2014	Laera
D723,665 S	3/2015	Kulig
9,435,107 B2	9/2016	Rexach

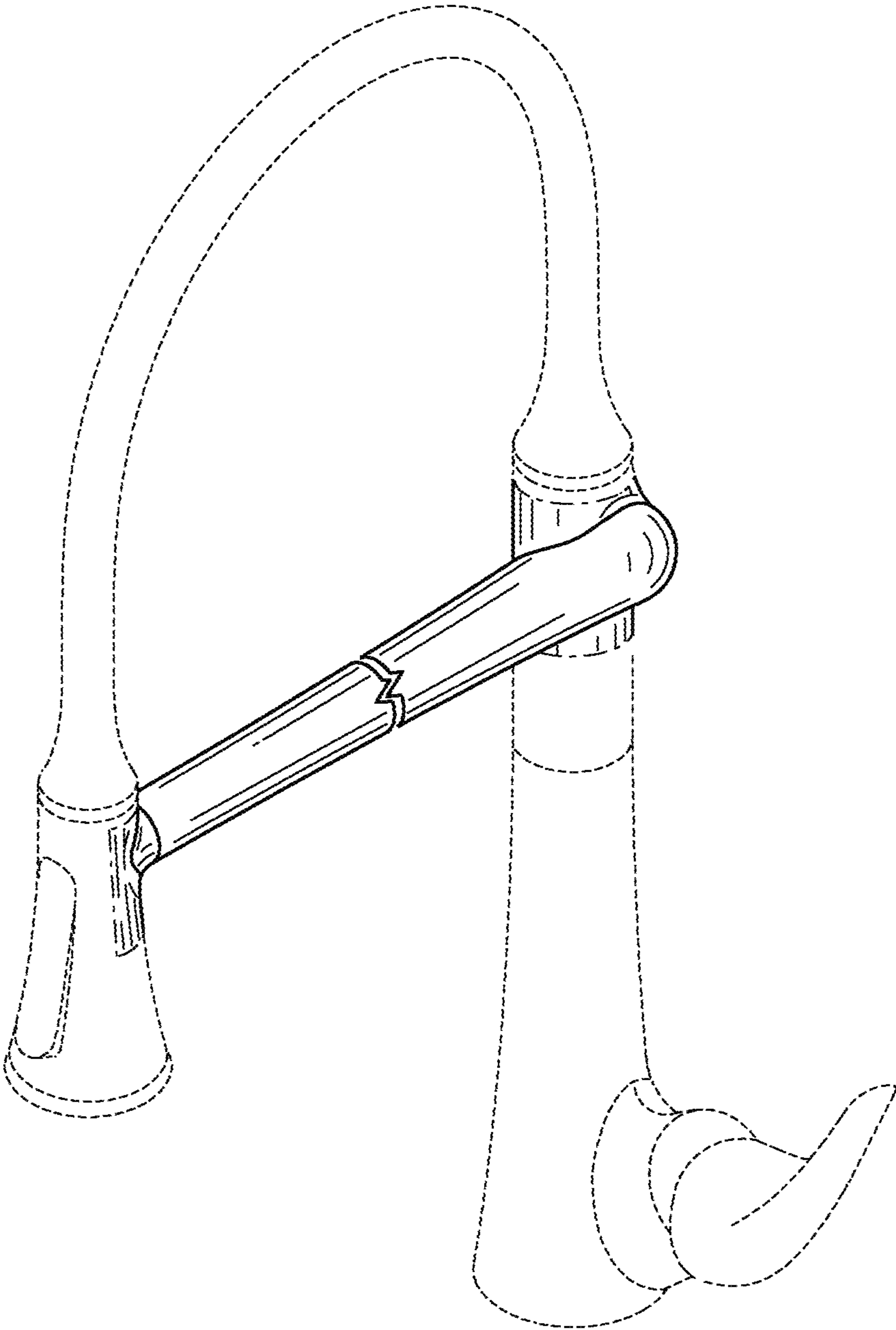


FIG. 1

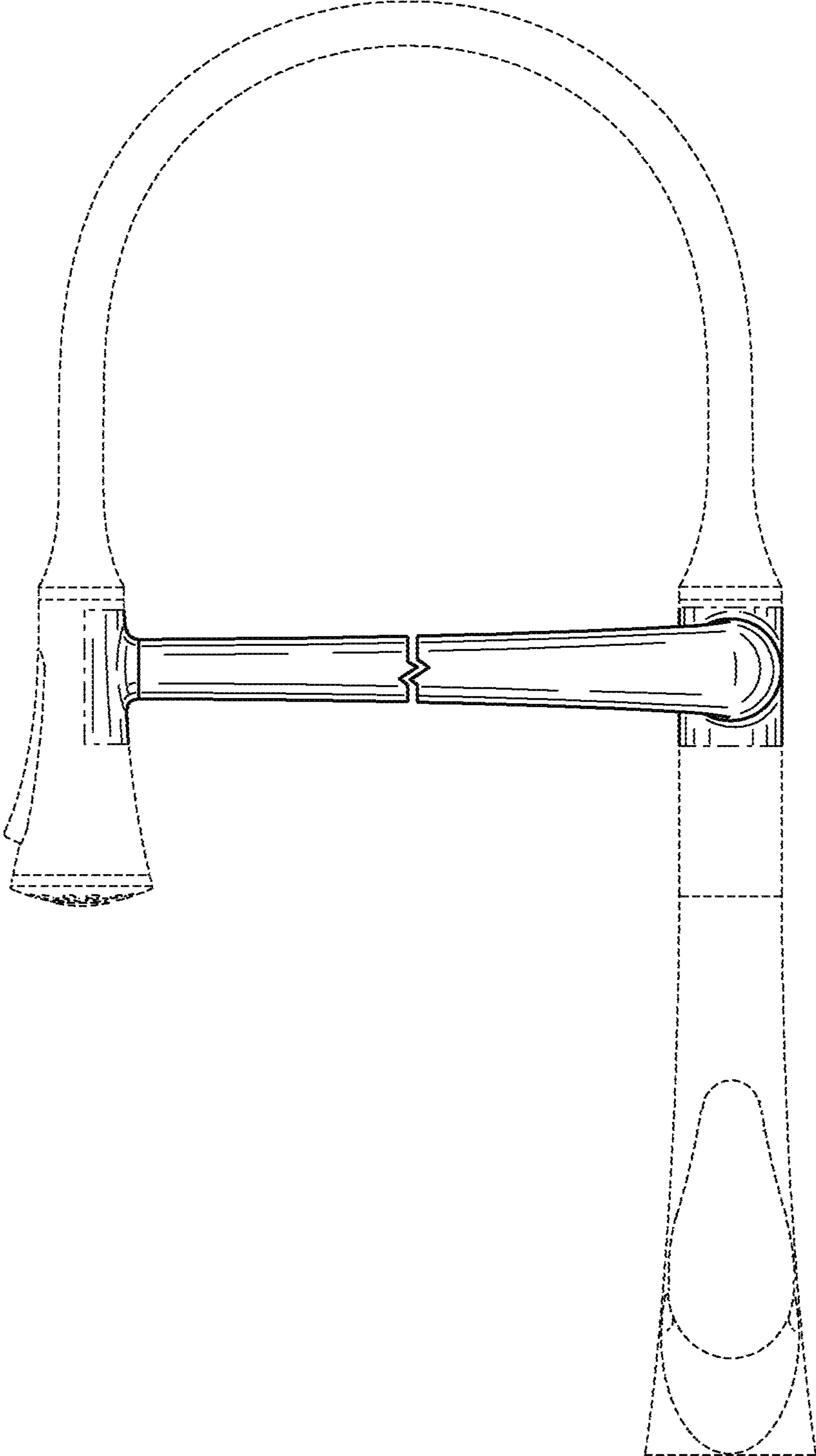


FIG. 2

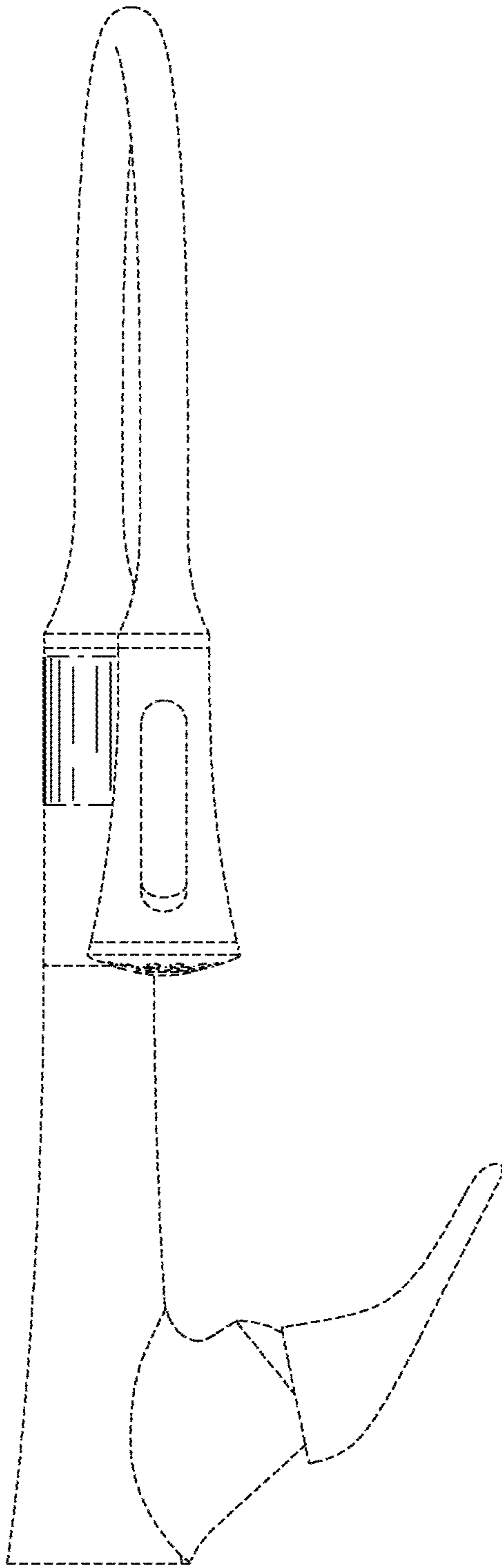


FIG. 3

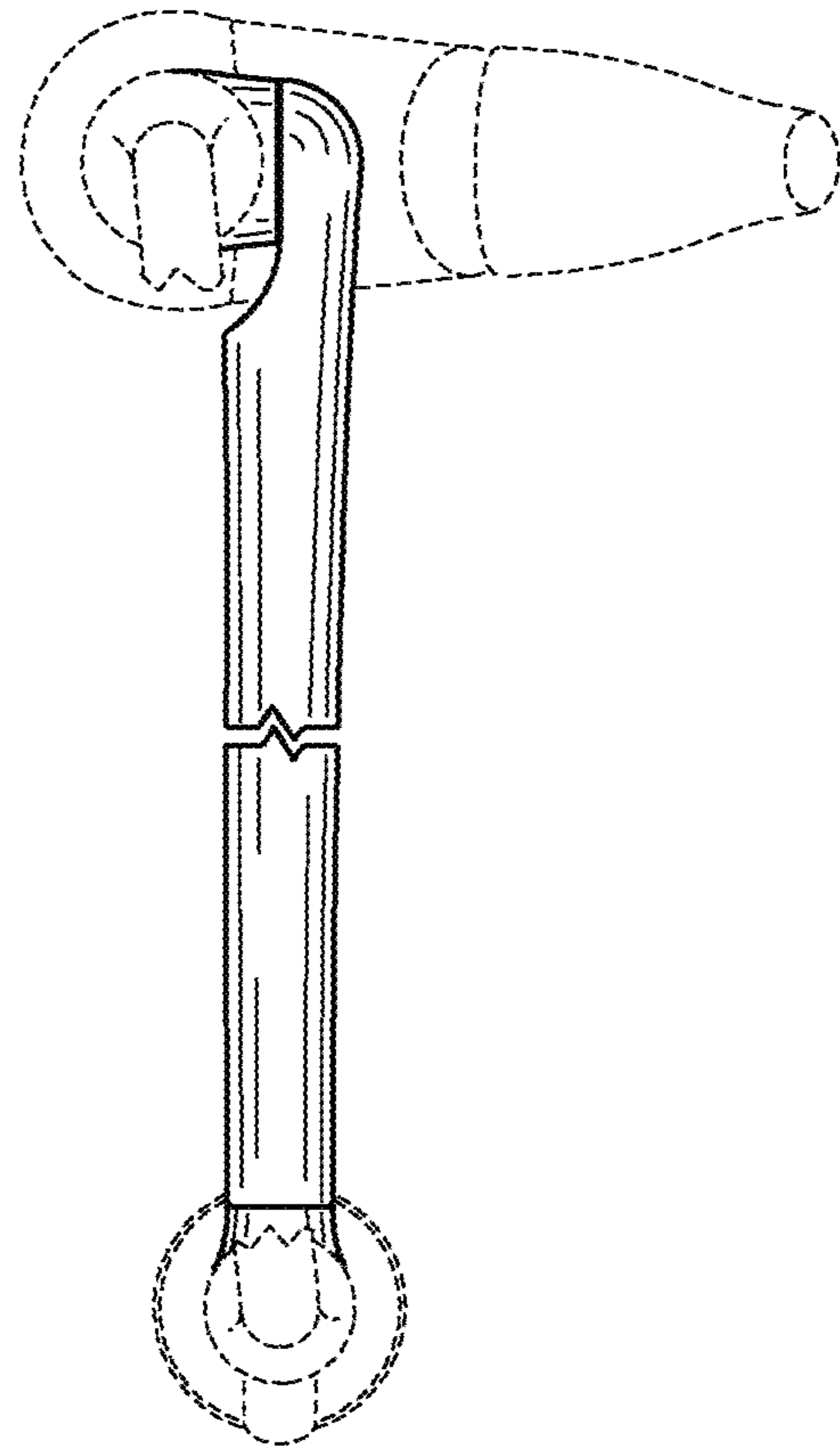


FIG. 4

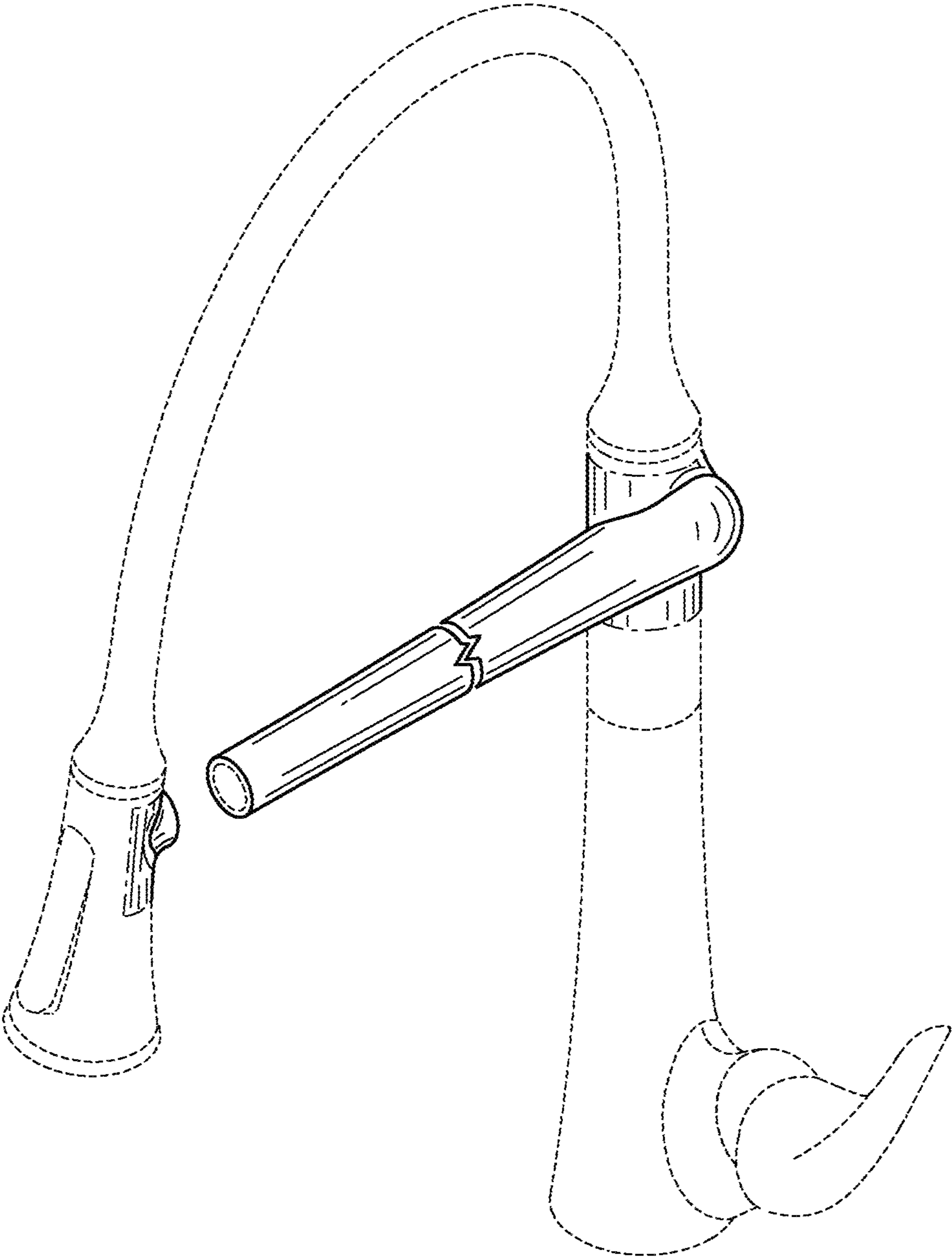


FIG. 5

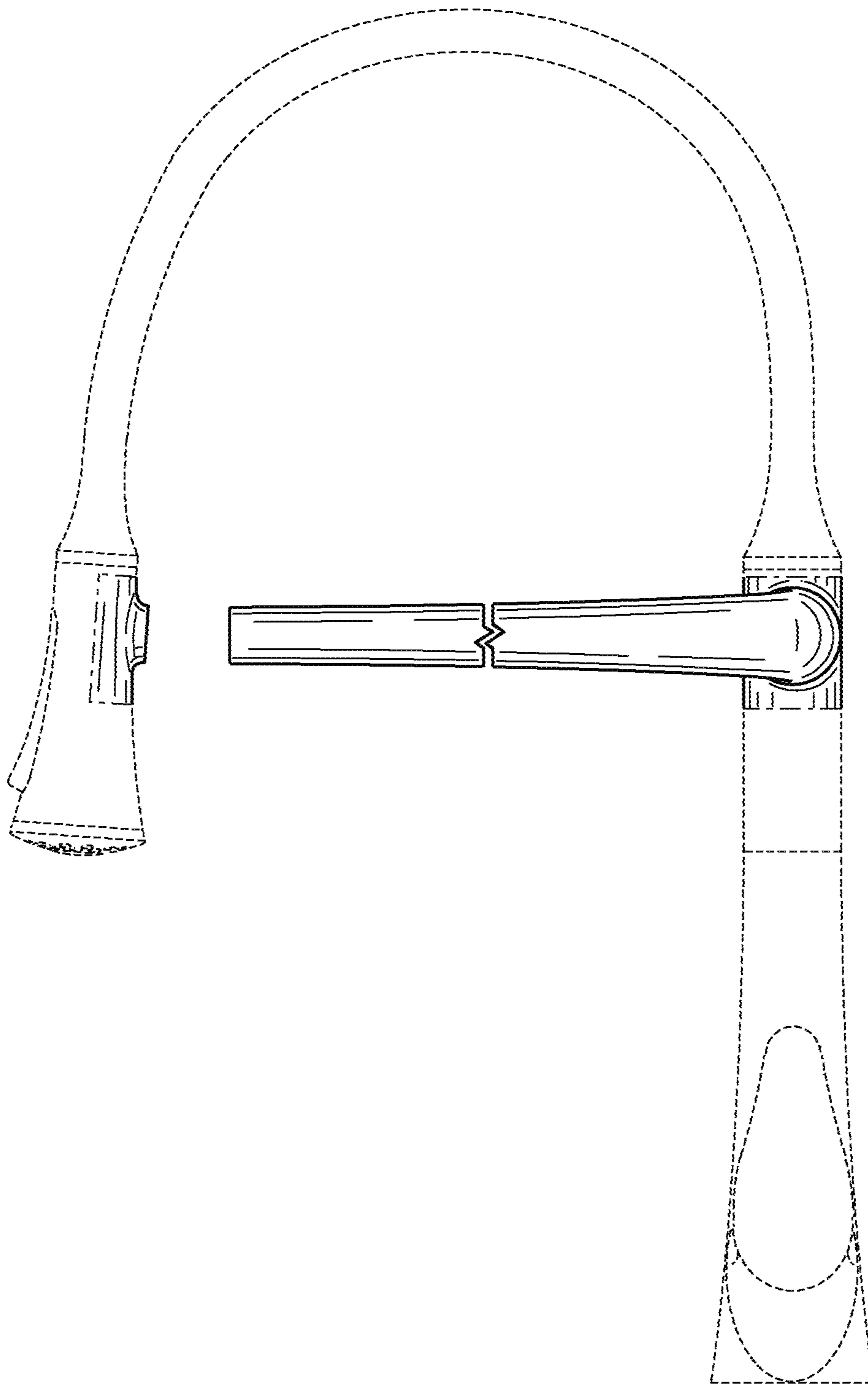


FIG. 6

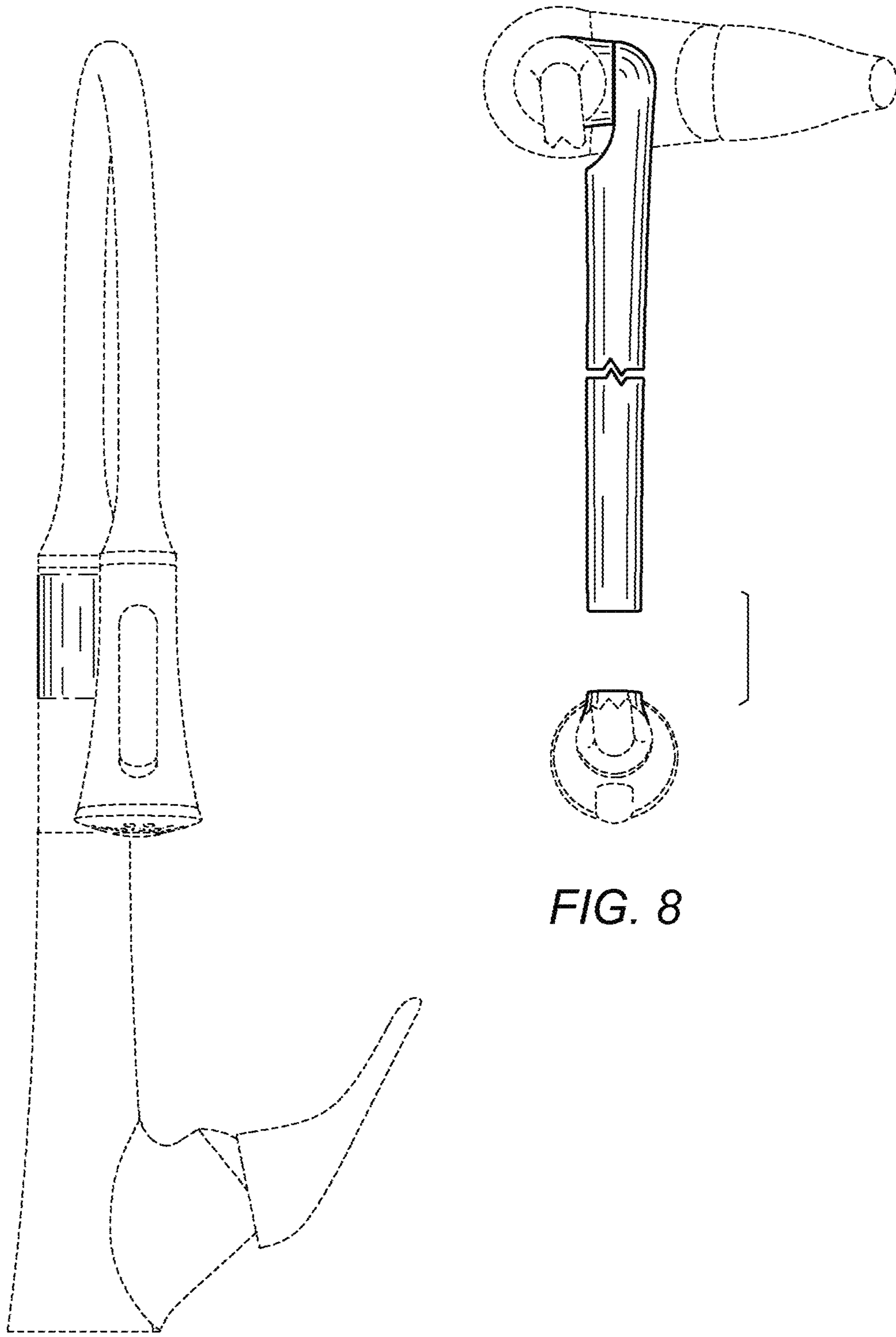


FIG. 7

FIG. 8