



US00D819176S

(12) **United States Design Patent**
Scott

(10) **Patent No.:** **US D819,176 S**

(45) **Date of Patent:** **** May 29, 2018**

(54) **VOLATILE LIQUID REFUELING RECEIVER**

(71) Applicant: **Steven Richard Scott**, Curlew, WA
(US)

(72) Inventor: **Steven Richard Scott**, Curlew, WA
(US)

(73) Assignee: **Motion Pro, INC.**, Loomis, CA (US)

(**) Term: **15 Years**

(21) Appl. No.: **29/595,911**

(22) Filed: **Mar. 2, 2017**

(51) **LOC (11) Cl.** **23-01**

(52) **U.S. Cl.**
USPC **D23/249**

(58) **Field of Classification Search**
USPC D23/233, 235, 237, 243, 249;
137/614.06, 614.03, 614.05, 528, 614.01;
251/149.9, 89.5, 148, 339, 144; 285/315,
285/87, 277; 200/339
CPC F16K 27/07; F16K 17/30; F16K 21/04;
F16K 31/143
See application file for complete search history.

(56) **References Cited**

U.S. PATENT DOCUMENTS

4,271,865 A * 6/1981 Galloway F16L 37/101
137/614.06
4,995,588 A * 2/1991 Nichols B67D 7/0294
251/144
5,026,099 A * 6/1991 Hendrix F16L 37/138
285/277

5,067,752 A * 11/1991 Maiville F16L 25/01
200/339
5,095,946 A * 3/1992 McLennan F16L 29/00
137/614.01
2016/0138746 A1* 5/2016 Trent F16L 37/23
251/148

* cited by examiner

Primary Examiner — Cynthia Ramirez

Assistant Examiner — Gino Colan

(74) *Attorney, Agent, or Firm* — Larry B. Guernsey;
Patent Law Office of Larry Guernsey

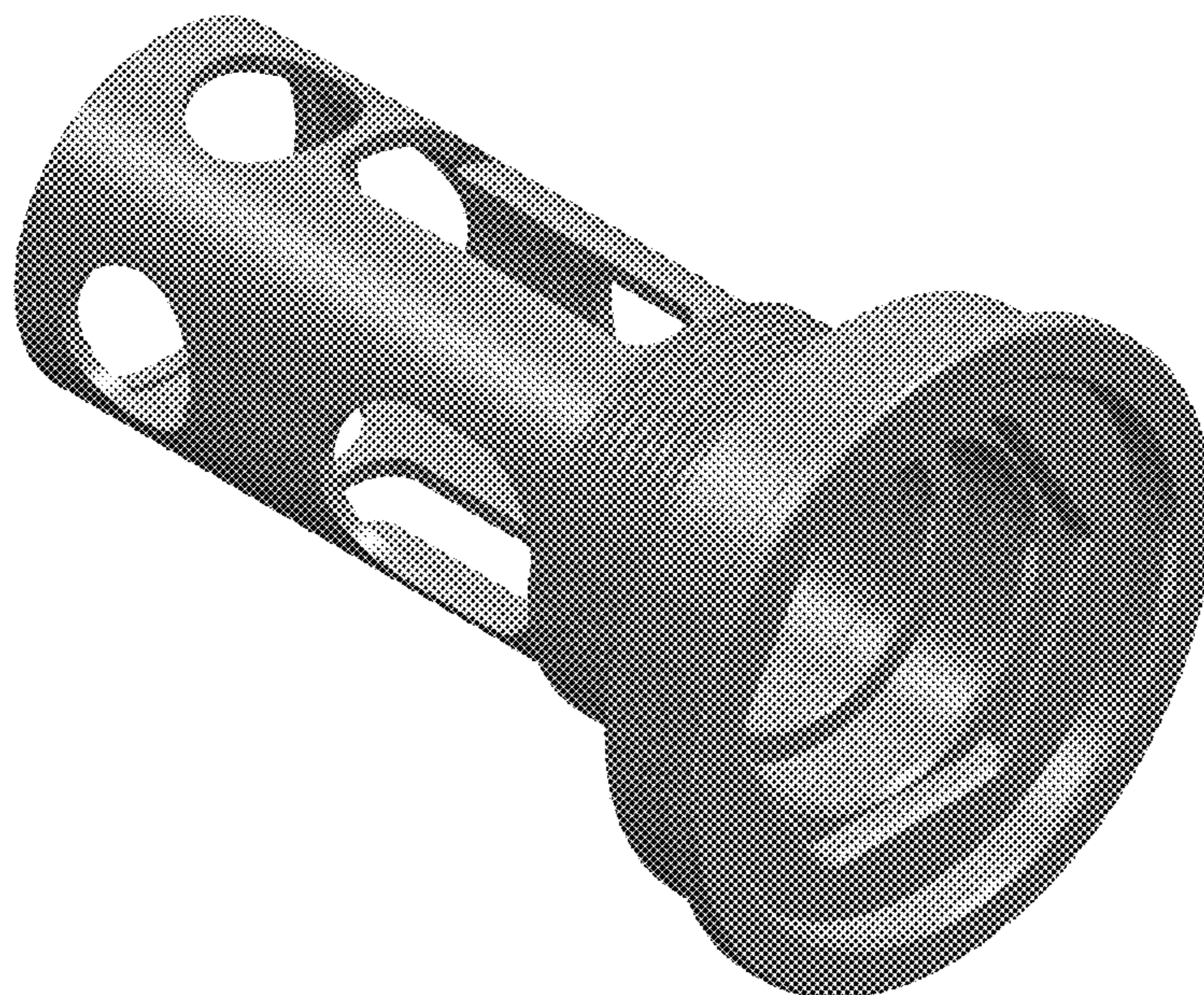
(57) **CLAIM**

The ornamental design for a volatile liquid refueling receiver, as shown and described.

DESCRIPTION

FIG. 1 is a top plan view of an ornamental design for a volatile liquid refueling receiver of the present invention; FIG. 2 is a front view of an ornamental design for a volatile liquid refueling receiver of the present invention; FIG. 3 is a right side view of an ornamental design for a volatile liquid refueling receiver of the present invention; FIG. 4 is a rear view of an ornamental design for a volatile liquid refueling receiver of the present invention; FIG. 5 is a left side view of an ornamental design for a volatile liquid refueling receiver of the present invention; FIG. 6 is a bottom plan view of an ornamental design for a volatile liquid refueling receiver of the present invention; FIG. 7 is an upper front end isometric view of an ornamental design for a volatile liquid refueling receiver of the present invention; and, FIG. 8 is an upper rear end isometric view of an ornamental design for a volatile liquid refueling receiver of the present invention.

1 Claim, 8 Drawing Sheets



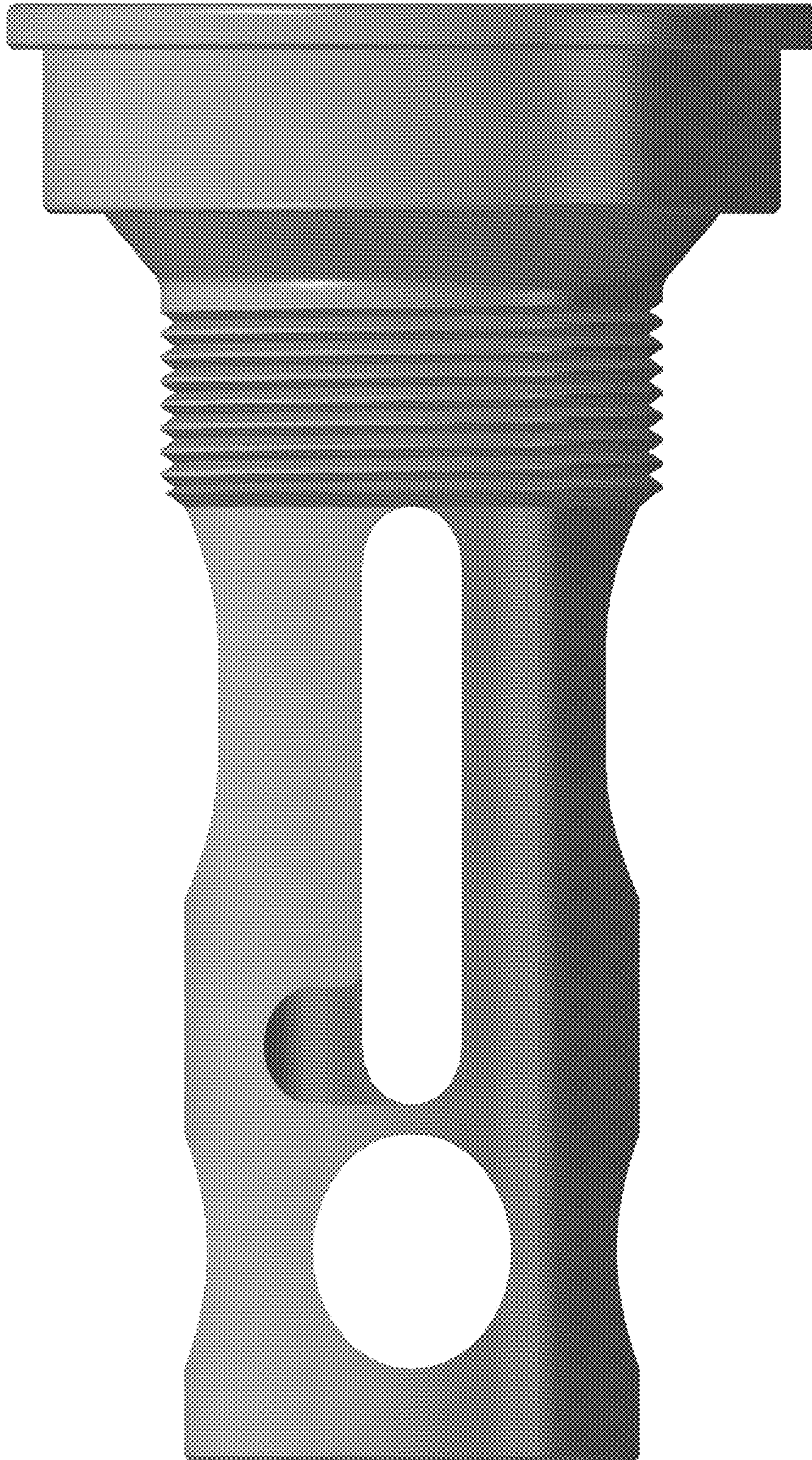


FIGURE 1

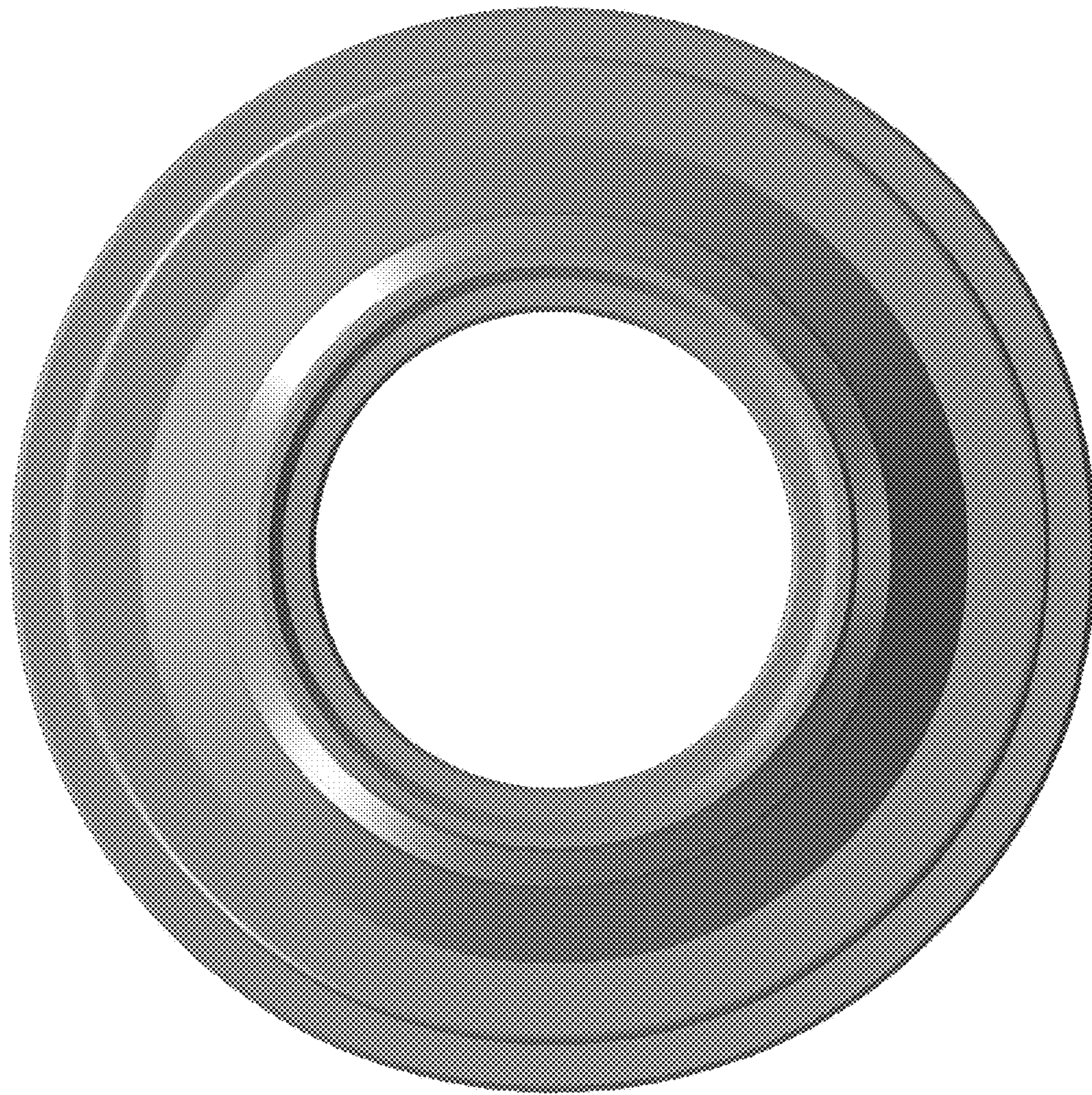


FIGURE 2

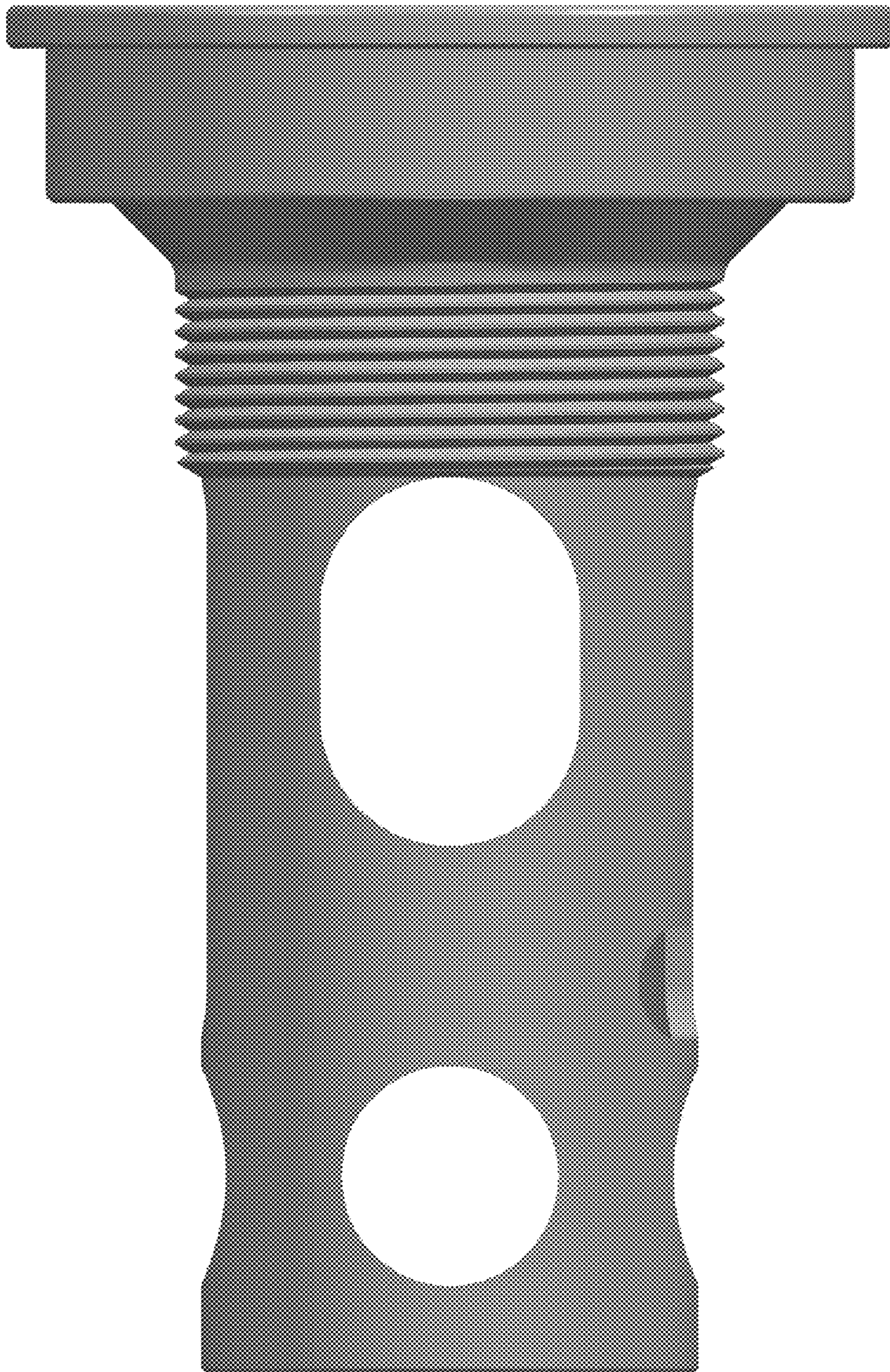


FIGURE 3

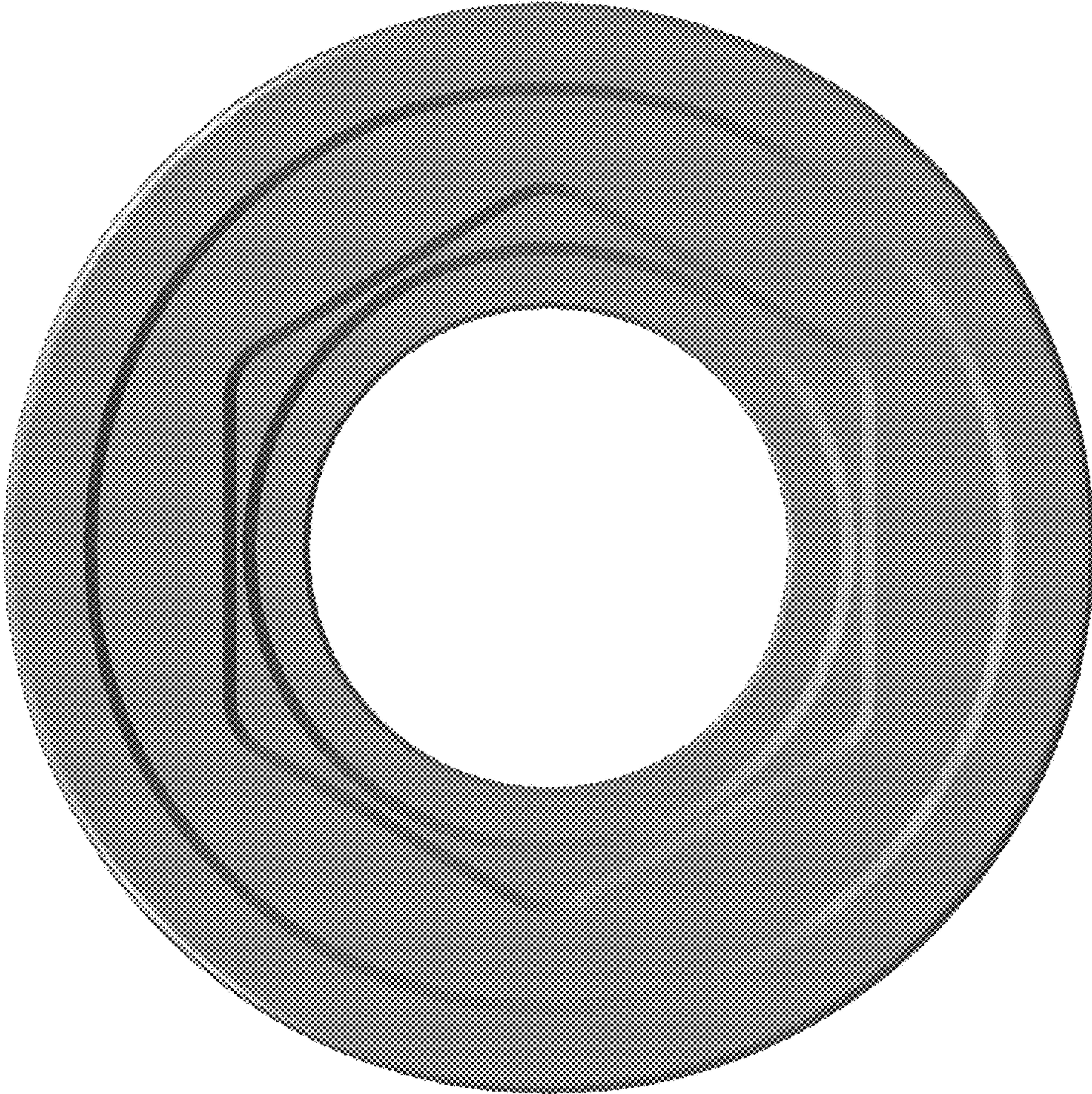


FIGURE 4

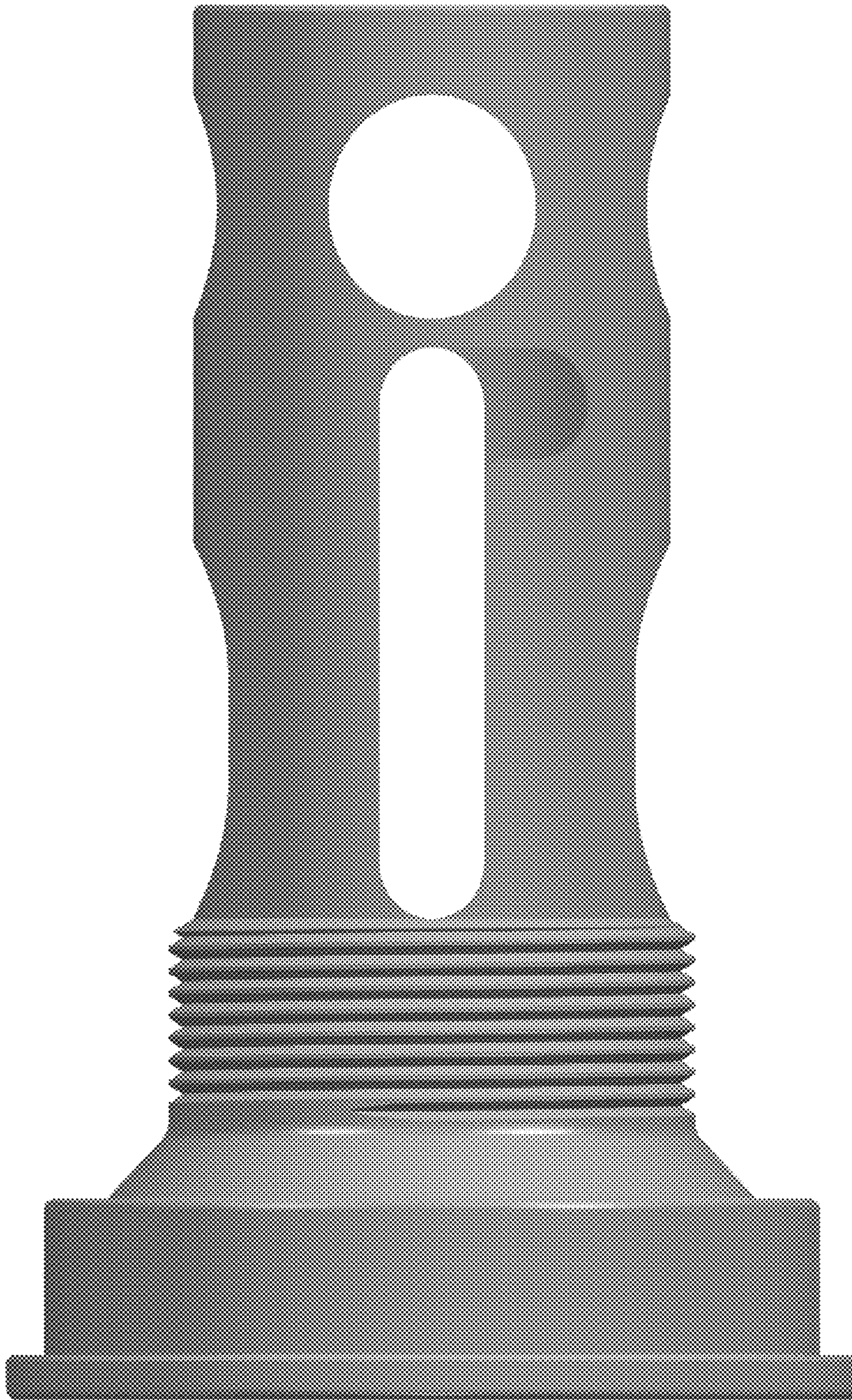


FIGURE 5

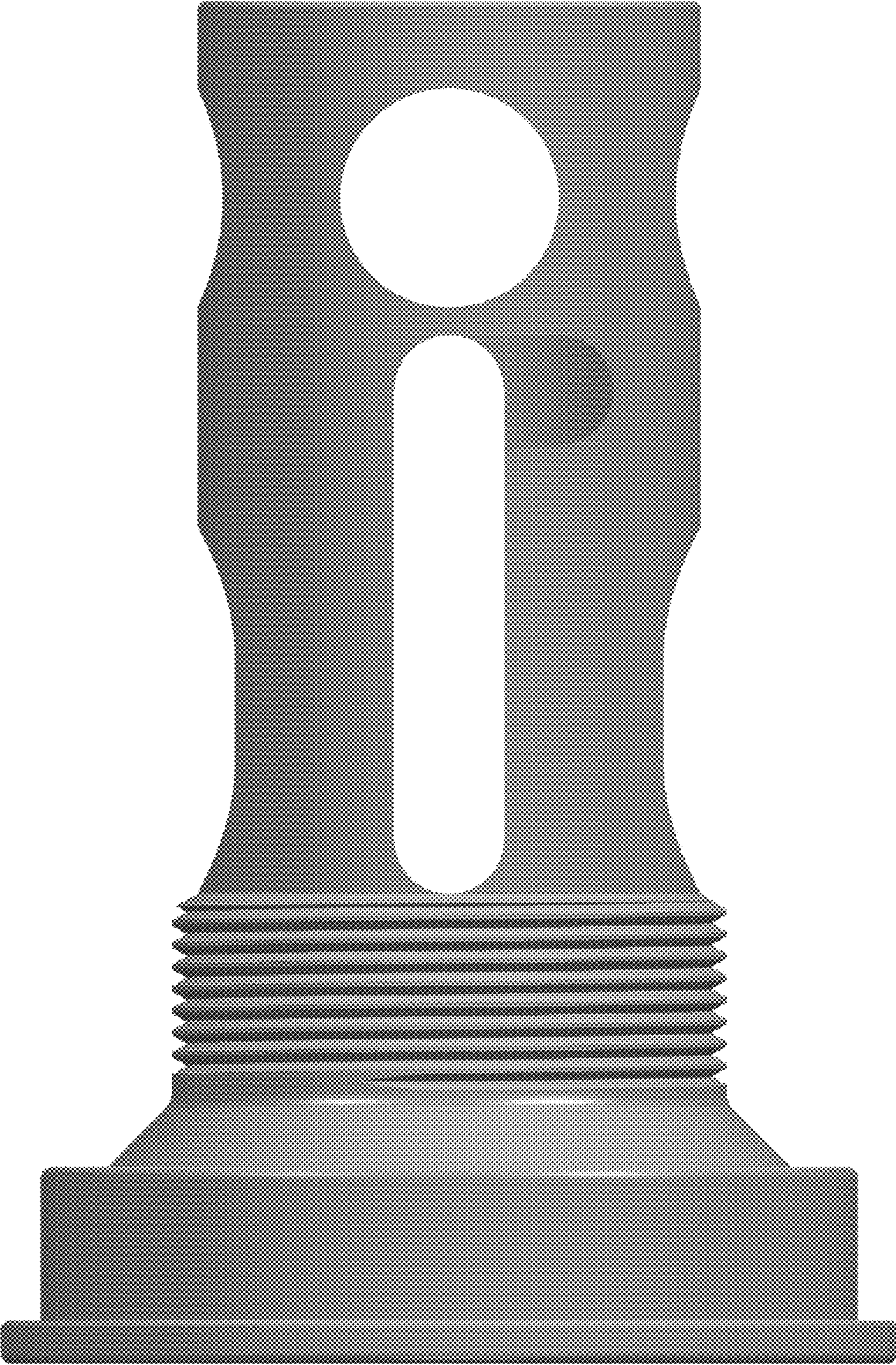


FIGURE 6

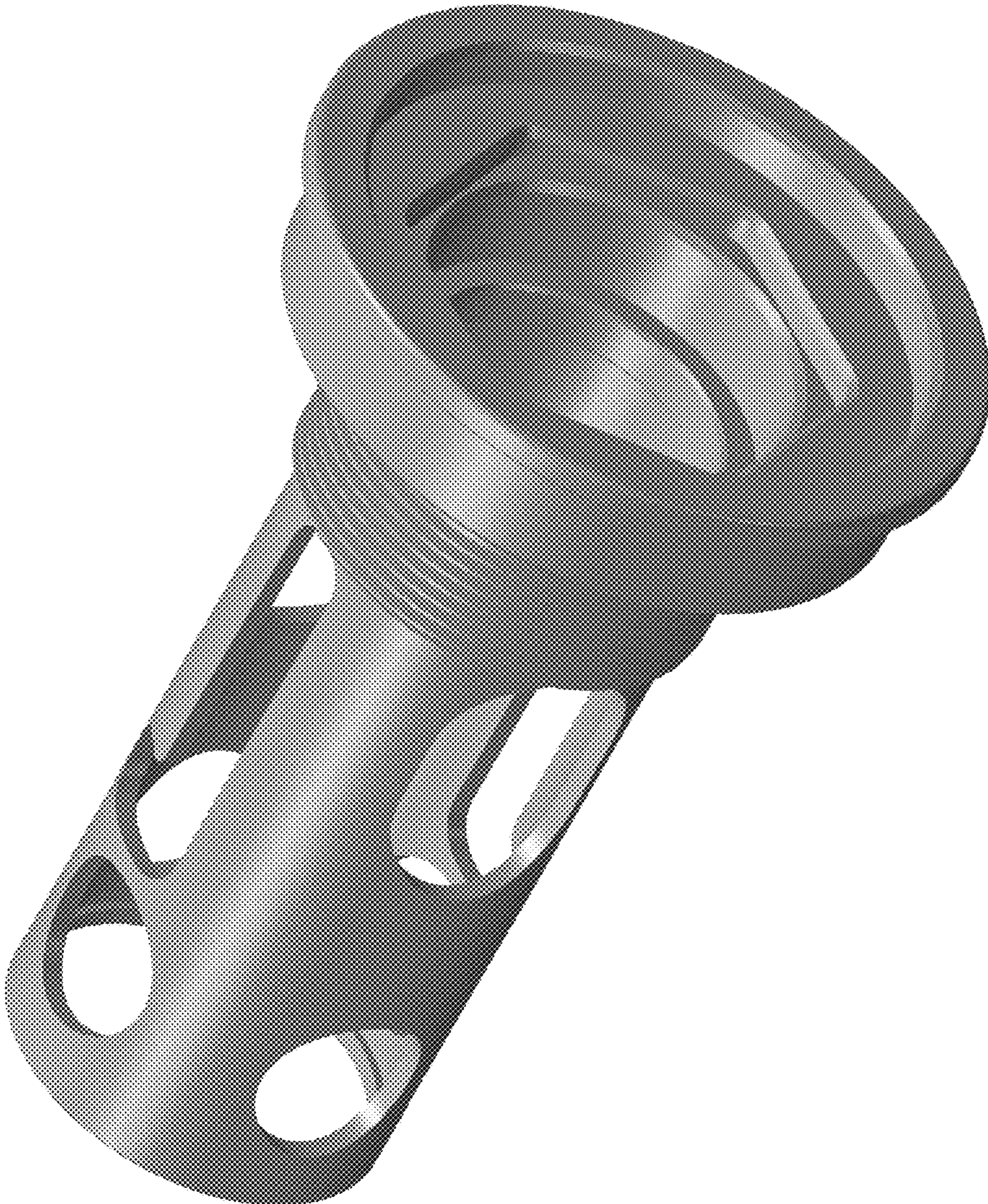


FIGURE 7

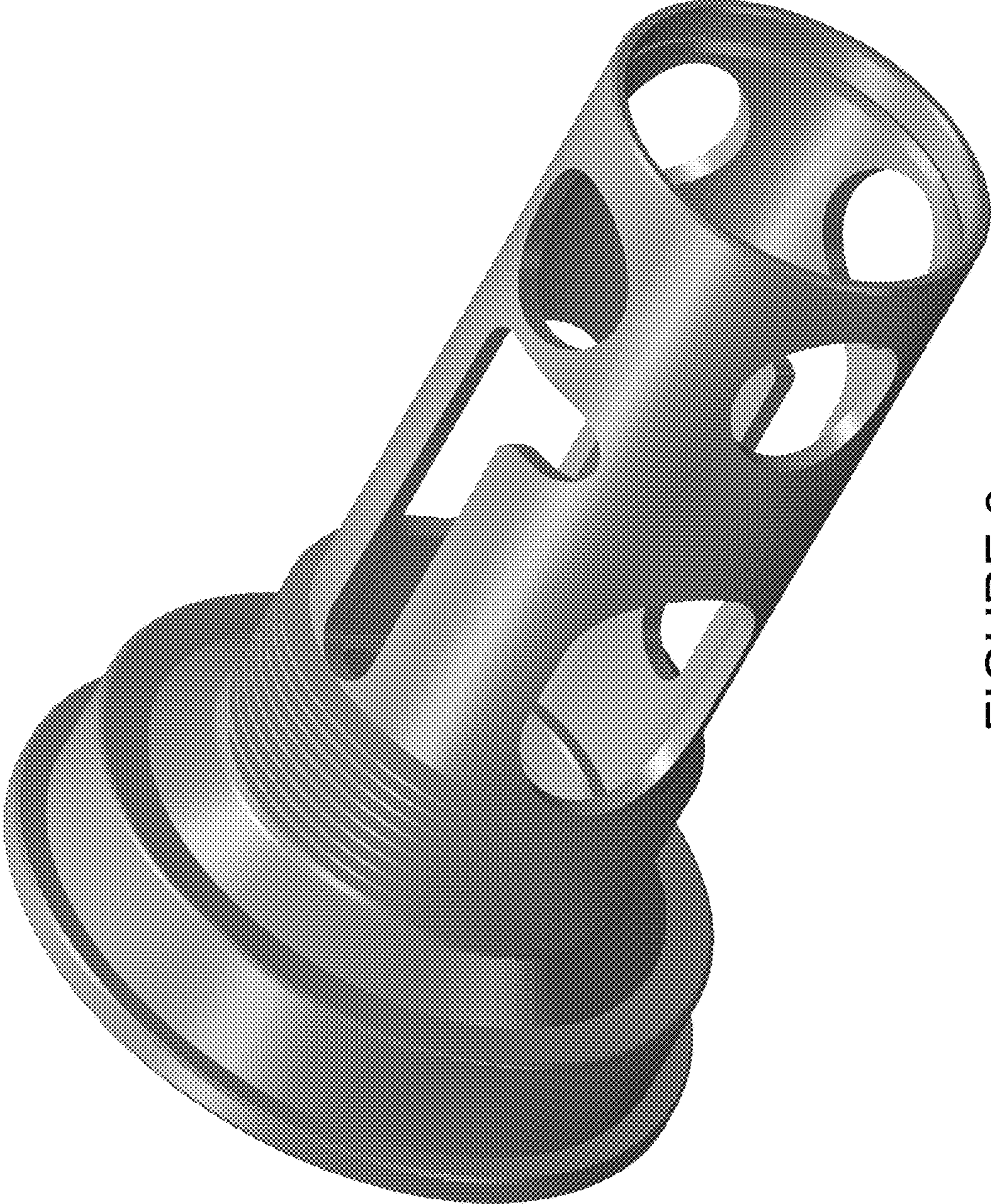


FIGURE 8