



US00D819174S

(12) **United States Design Patent**
Takamatsu et al.

(10) **Patent No.:** **US D819,174 S**

(45) **Date of Patent:** **** May 29, 2018**

(54) **VALVE FOR FLOW PASSAGE SWITCHING UNIT OF AIR CONDITIONER**

D274,746 S * 7/1984 Burruss D23/235
5,673,722 A * 10/1997 Brass F25B 45/00
116/276

(71) Applicant: **MITSUBISHI ELECTRIC CORPORATION**, Tokyo (JP)

D428,113 S * 7/2000 Russo D23/233
2002/0066876 A1 * 6/2002 Carpenter F16L 27/12
251/148

(72) Inventors: **Ryohei Takamatsu**, Tokyo (JP);
Mizuki Ogawa, Tokyo (JP); **Koji Saito**, Tokyo (JP); **Masaru Imaizumi**, Tokyo (JP); **Yuji Motomura**, Tokyo (JP)

(Continued)

Primary Examiner — Cynthia Ramirez

Assistant Examiner — Gino Colan

(74) *Attorney, Agent, or Firm* — Studebaker & Brackett PC

(73) Assignee: **Mitsubishi Electric Corporation**, Tokyo (JP)

(**) Term: **15 Years**

(57) **CLAIM**

(21) Appl. No.: **29/553,620**

The ornamental design for a valve for flow passage switching unit of air conditioner, as shown and described.

(22) Filed: **Feb. 3, 2016**

(30) **Foreign Application Priority Data**

DESCRIPTION

Aug. 6, 2015 (JP) 2015-017534

(51) **LOC (11) Cl.** **23-01**

(52) **U.S. Cl.**
USPC **D23/235**

(58) **Field of Classification Search**
USPC D23/233, 235, 237, 244–249;
137/625.48, 468, 12, 322, 205.5; 62/467,
62/210, 292, 204, 115, 197, 222–225,
62/227, 504, 527, 77; 236/92 B, 63–64,
236/926; 251/129.15, 14, 64, 215, 216,
251/148; 29/221.6; 116/276
CPC B60H 1/00485; B60H 1/00885; B60H
1/3214; B60H 2001/3283; F24F 11/008;
F24F 2011/0082

See application file for complete search history.

FIG. 1. is a front perspective view of the front, right, and top sides of valve for flow passage switching unit of air conditioner showing our new design;
FIG. 2. is a rear perspective view of the rear, left, and bottom sides;
FIG. 3. is a front view thereof;
FIG. 4. is a rear view thereof;
FIG. 5. is a left side view thereof;
FIG. 6. is a right side view thereof;
FIG. 7. is a top plan view thereof;
FIG. 8. is a bottom plan view thereof;
FIG. 9. is a cross-sectional view at 9-9;
FIG. 10. is a cross-sectional view at 10-10; and,
FIG. 11. is a reference exploded perspective view.

The broken lines shown represent unclaimed subject matter of the valve for flow passage switching unit of air conditioner and form no part of the claimed design.

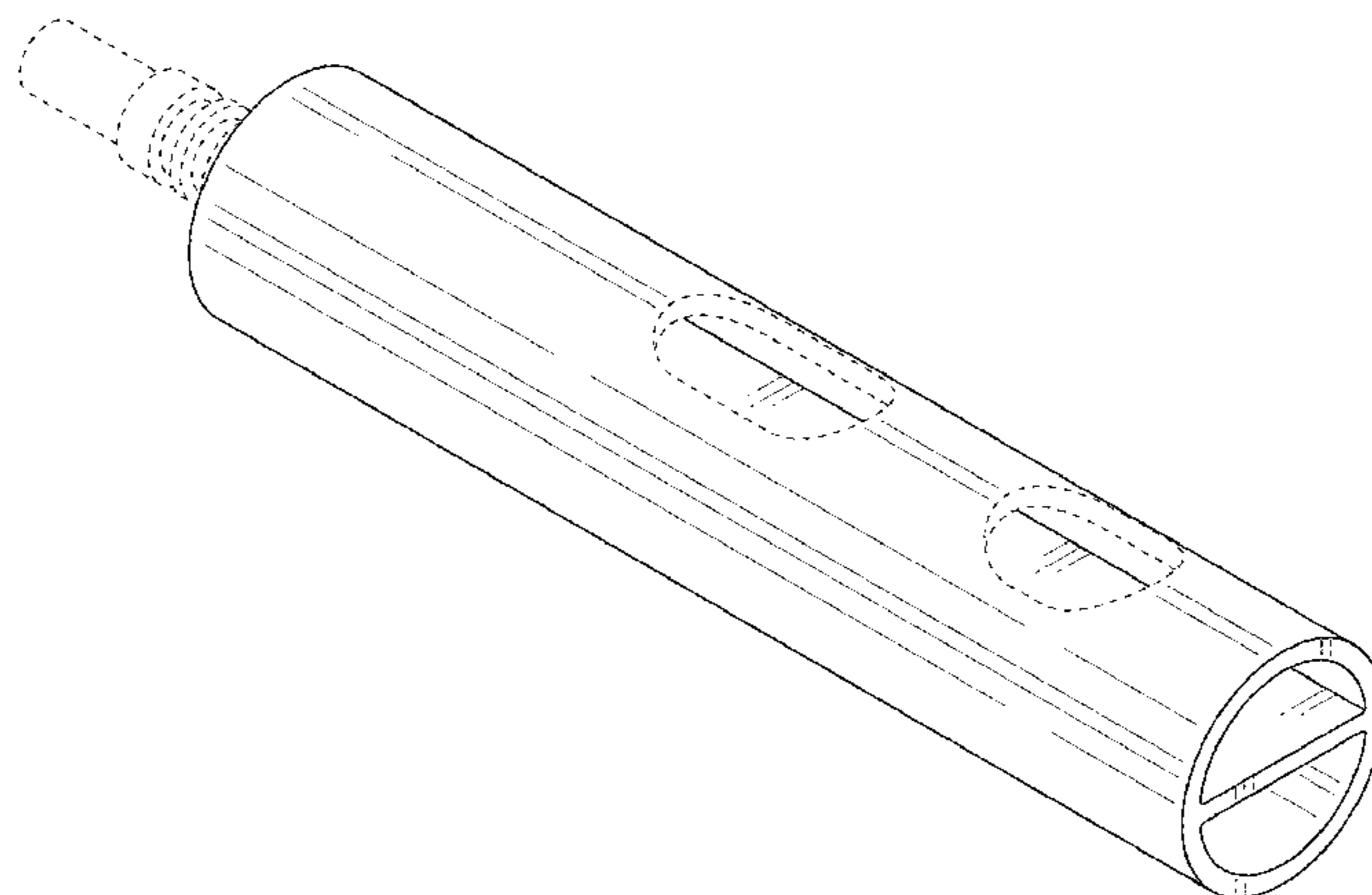
The dot-dash lines represent the boundary between the claimed design and unclaimed design and form no part of the claimed design.

(56) **References Cited**

U.S. PATENT DOCUMENTS

3,935,713 A * 2/1976 Olson B25B 27/24
29/221.6
D274,083 S * 5/1984 Burruss D23/235

1 Claim, 7 Drawing Sheets



(56)

References Cited

U.S. PATENT DOCUMENTS

2008/0289353 A1 * 11/2008 Maruya F25B 45/00
62/292

* cited by examiner

FIG.1

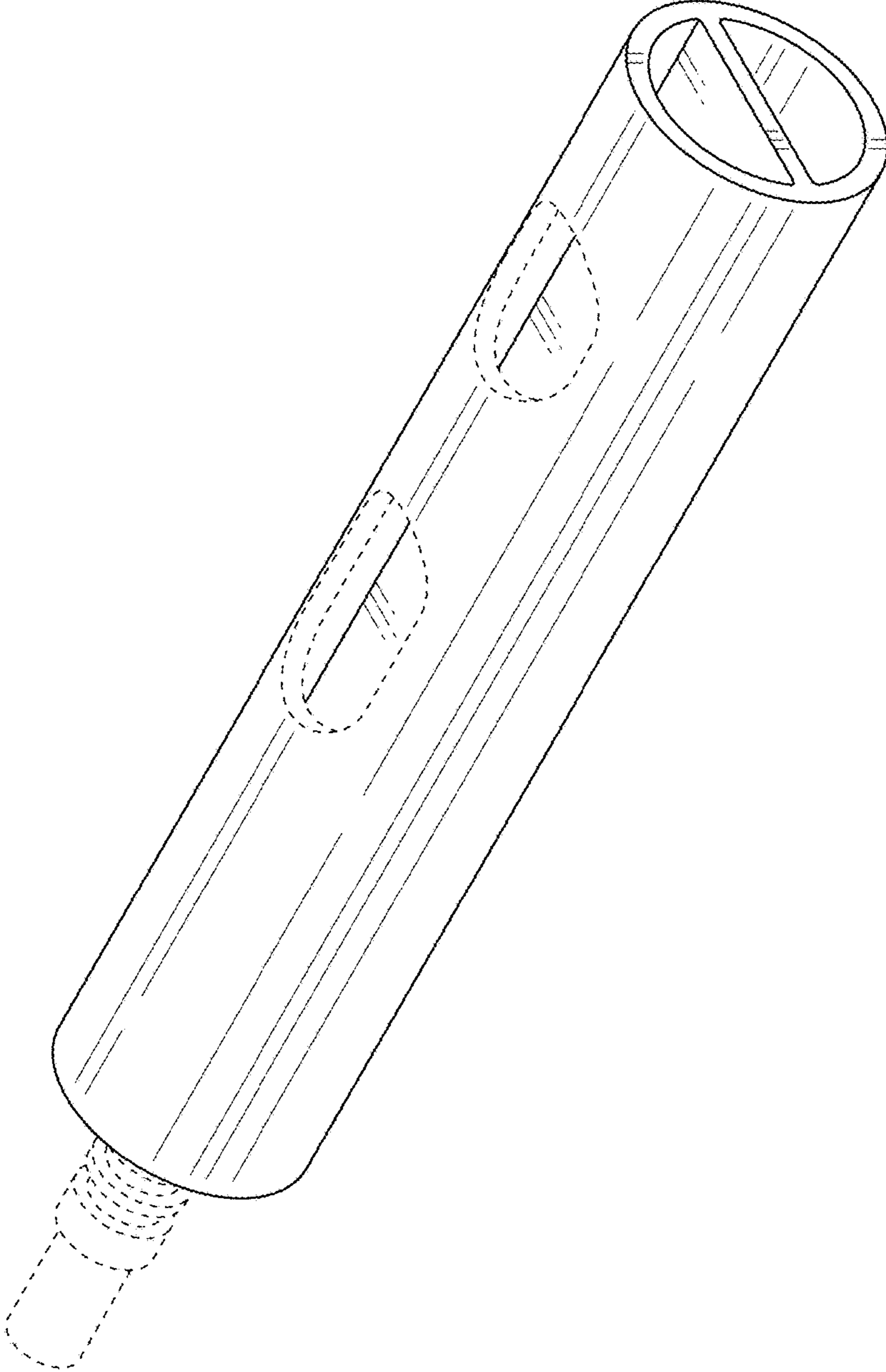


FIG.2

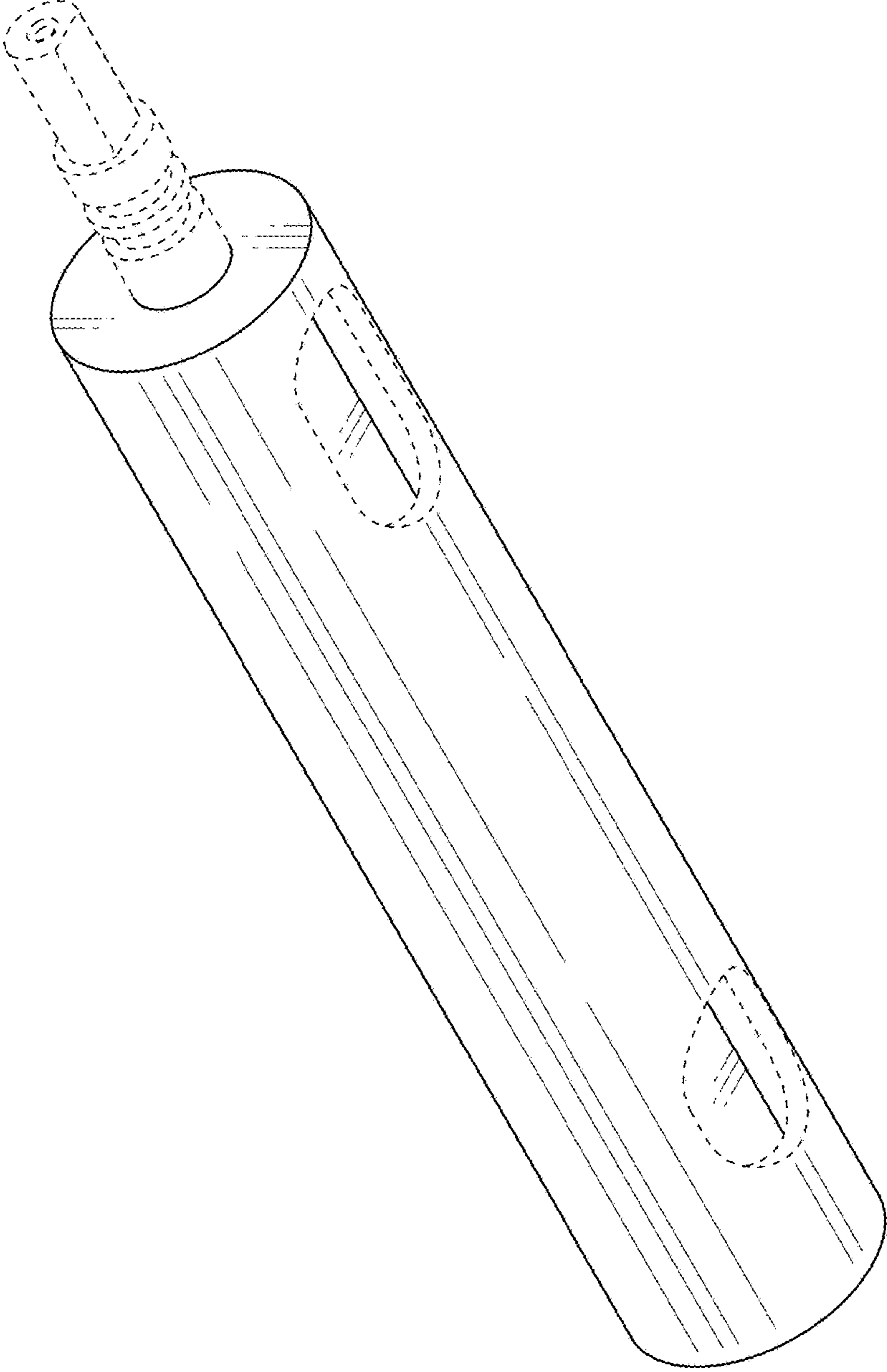


FIG.3

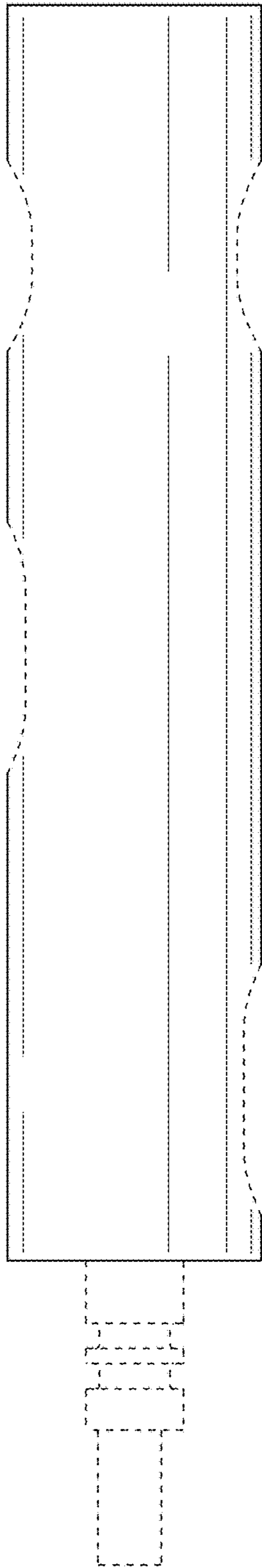


FIG.4

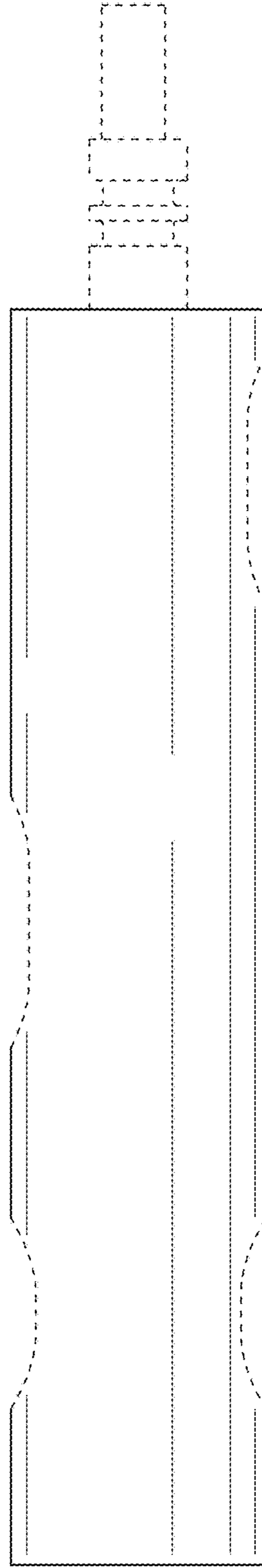


FIG.6

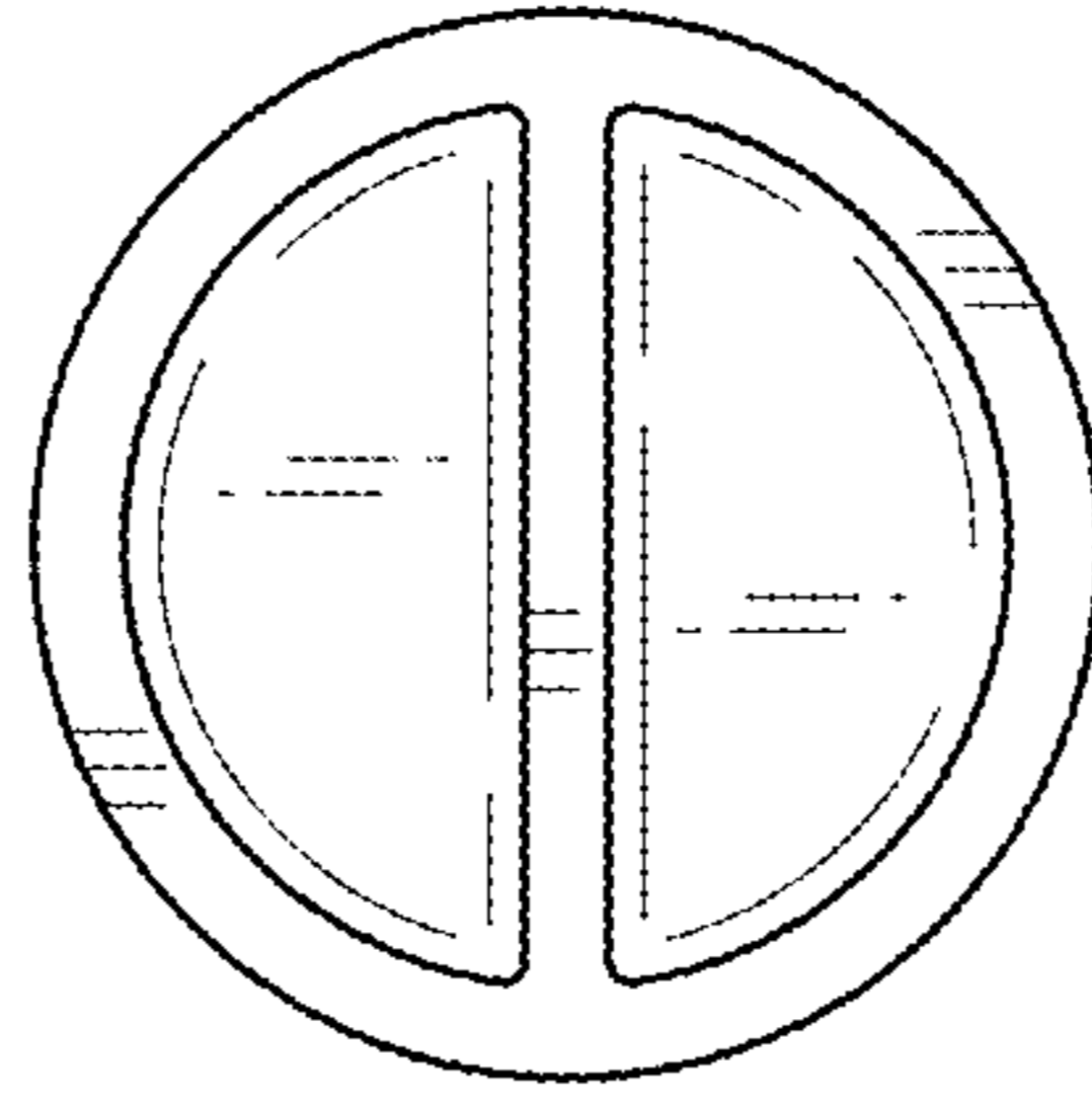


FIG.5

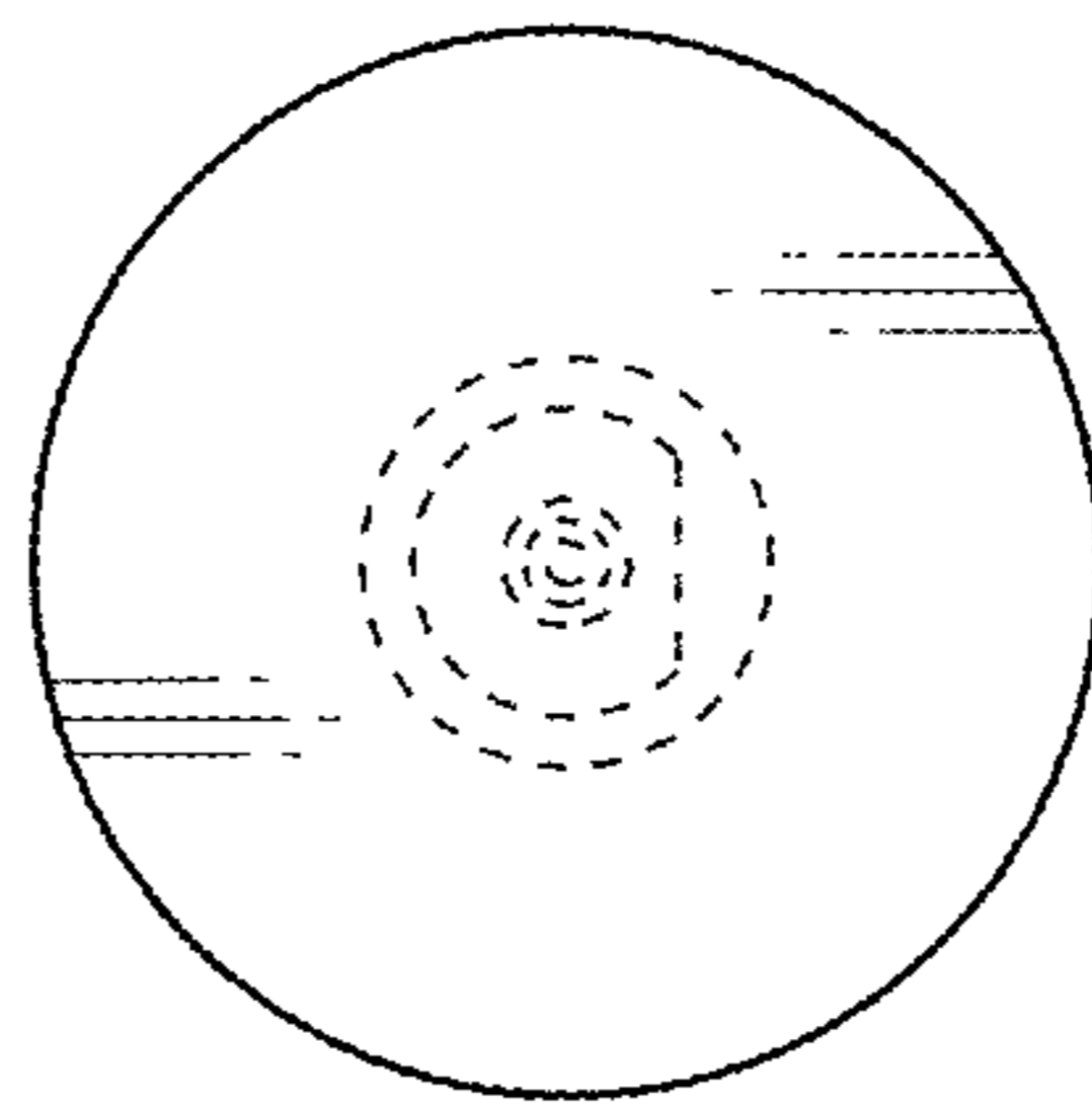


FIG.7

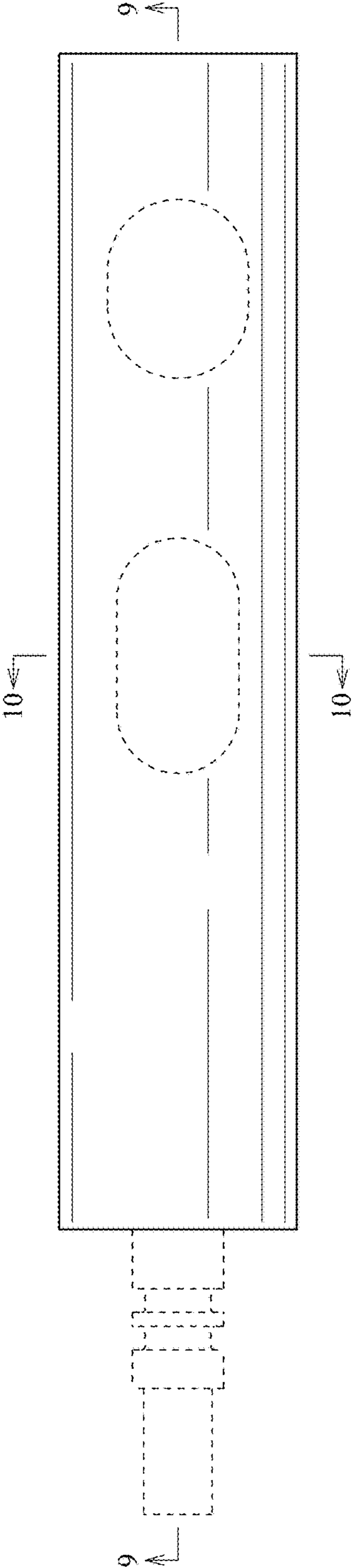


FIG.8

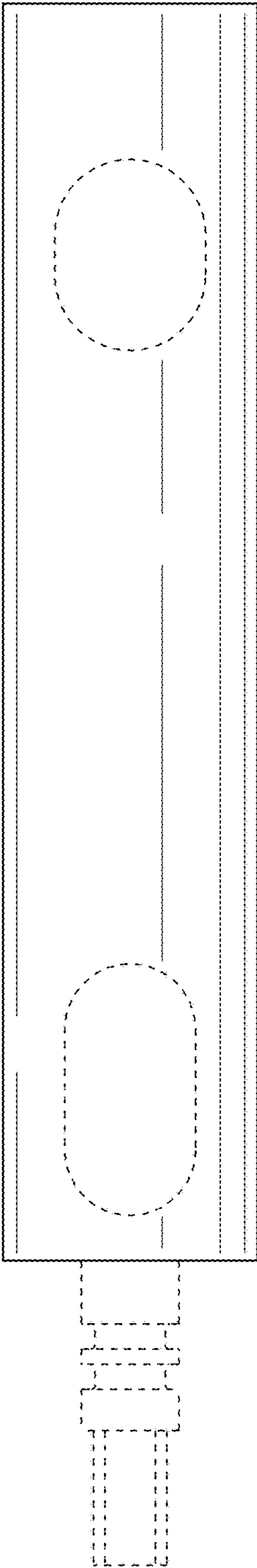


FIG.9

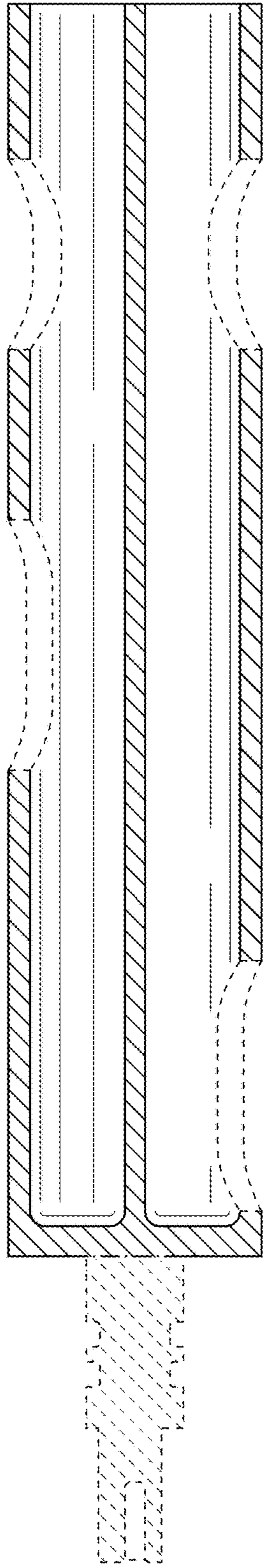


FIG.10

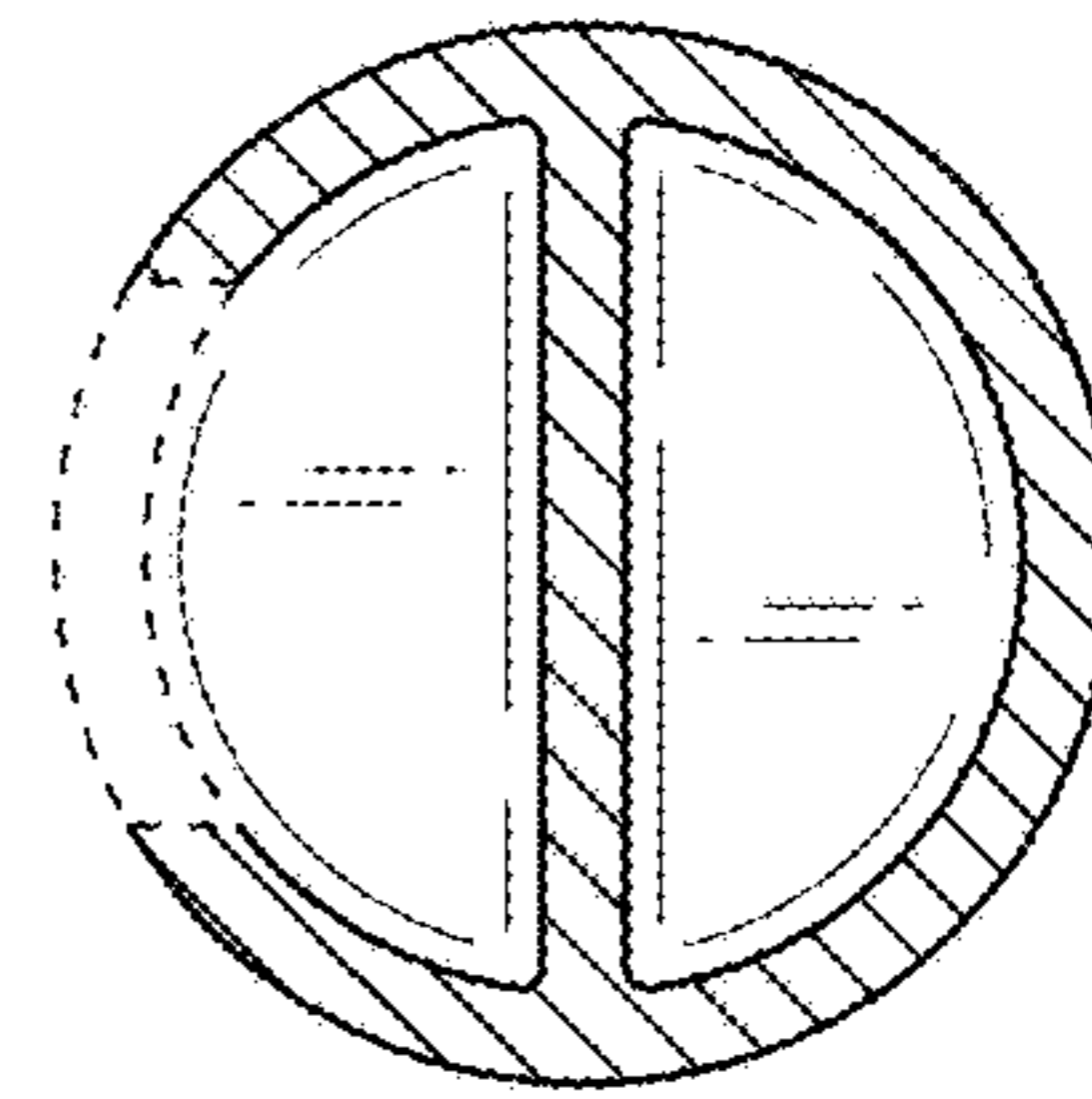


FIG.11

