



US00D819171S

(12) **United States Design Patent**
Vallo et al.

(10) **Patent No.:** **US D819,171 S**
(45) **Date of Patent:** **** May 29, 2018**

(54) **SPRINKLER BASE**
(71) Applicant: **Fiskars Oyj Abp**, Helsinki (FI)
(72) Inventors: **Nicholas Vallo**, Madison, WI (US);
Andrew P. Block, Madison, WI (US)
(73) Assignee: **Fiskars Oyj Abp**, Helsinki (FI)
(**) Term: **15 Years**
(21) Appl. No.: **29/597,603**
(22) Filed: **Mar. 17, 2017**
(51) **LOC (11) Cl.** **23-01**
(52) **U.S. Cl.**
USPC **D23/217; D23/221**
(58) **Field of Classification Search**
USPC D23/214, 217, 218, 221; 47/48.5;
239/288, 288.5, 273, 276, 280; 248/75,
248/87; D8/1
CPC A01G 29/00; B05B 15/062
See application file for complete search history.

D510,406 S 10/2005 Sener et al.
D523,523 S * 6/2006 Burnworth D23/217
D527,441 S * 8/2006 La Mesa D23/214
7,303,148 B2 * 12/2007 Campbell B05B 3/0431
239/276
7,469,865 B2 * 12/2008 Mayorga B05B 15/065
239/276
D615,611 S 5/2010 Cheng
D620,551 S 7/2010 Mayher
D621,473 S 8/2010 Hanna
D621,906 S 8/2010 Hanna
D633,598 S * 3/2011 Baron D23/217
D635,643 S 4/2011 Hanna et al.
8,672,236 B2 3/2014 Gal et al.
D750,743 S 3/2016 Holmes
9,339,828 B1 5/2016 Wang
(Continued)

Primary Examiner — Robin V Webster
(74) *Attorney, Agent, or Firm* — Foley & Lardner LLP

(57) **CLAIM**

We claim the ornamental design for a sprinkler base, as shown and described.

DESCRIPTION

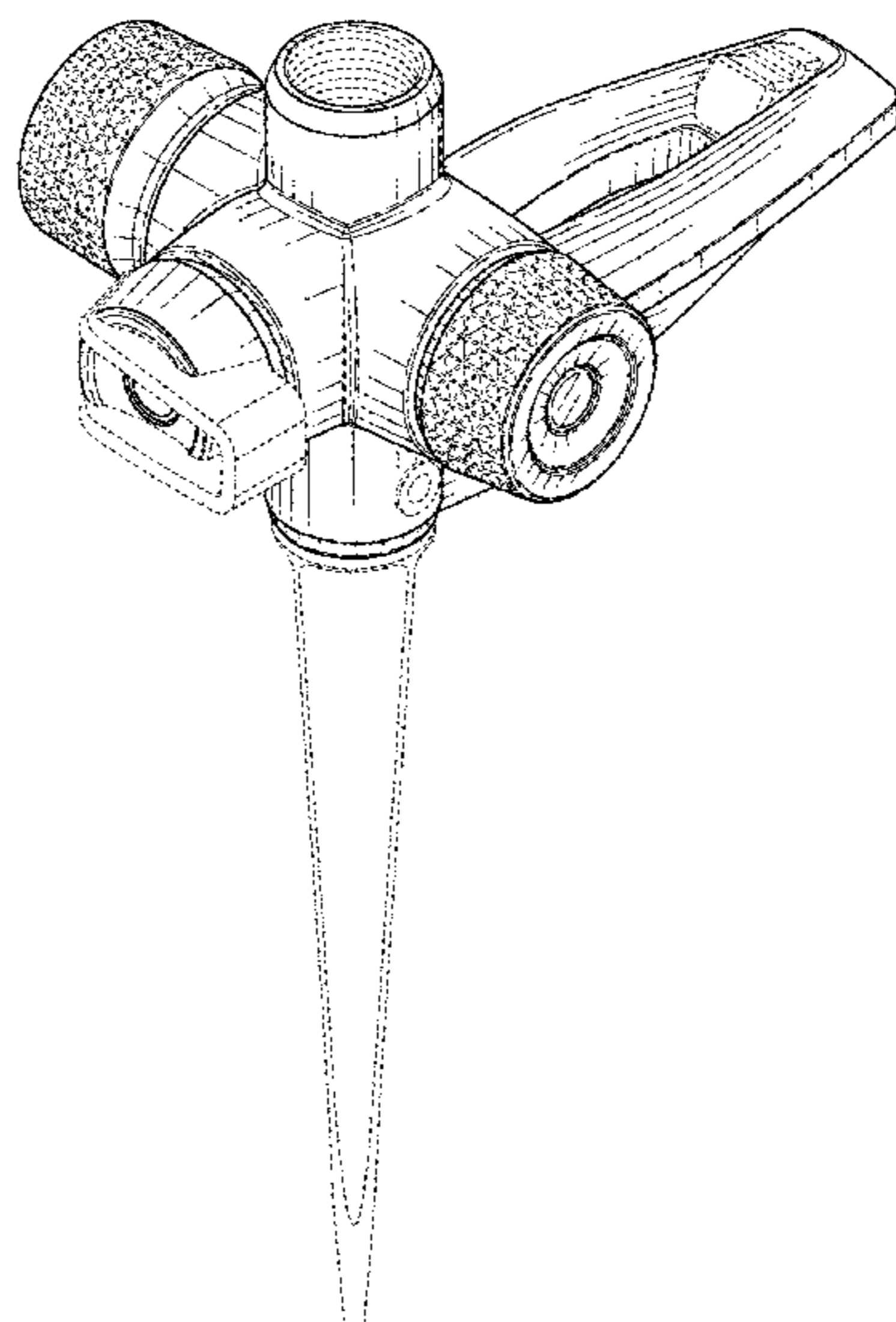
FIG. 1 is a top perspective view of an embodiment of the claimed design;
FIG. 2 is front view thereof;
FIG. 3 is a rear view thereof;
FIG. 4 is a left side view thereof;
FIG. 5 is a right side view thereof;
FIG. 6 is a top view thereof; and,
FIG. 7 is a bottom view thereof.
Any portion of the article depicted in broken lines forms no part of the claimed design. Broken lines formed by equal length dashes show unclaimed subject matter. Broken lines formed of unequal length dashes (i.e., dash-dot) show boundaries between claimed and unclaimed portions of the design.

1 Claim, 6 Drawing Sheets

(56) **References Cited**

U.S. PATENT DOCUMENTS

D142,401 S 9/1945 Goggins
D191,158 S 8/1961 Beinert
3,385,525 A * 5/1968 Jacobs B05B 1/1645
222/570
3,625,429 A 12/1971 Turrell
4,173,306 A 11/1979 Ridgway
D263,868 S 4/1982 Chow et al.
D276,174 S 10/1984 Chow et al.
D287,267 S 12/1986 Premo et al.
D310,477 S * 9/1990 Fleecs D23/217
5,020,722 A 6/1991 Wardell
D412,556 S 8/1999 Hsin-Fa
D437,389 S 2/2001 Hsin-Fa
6,758,410 B2 * 7/2004 Kuo B05B 15/067
239/276
D497,973 S * 11/2004 Schapper D23/217



(56)

References Cited

U.S. PATENT DOCUMENTS

9,439,365 B2 * 9/2016 Lo F16L 3/127
D774,625 S * 12/2016 Boughton D23/217

* cited by examiner

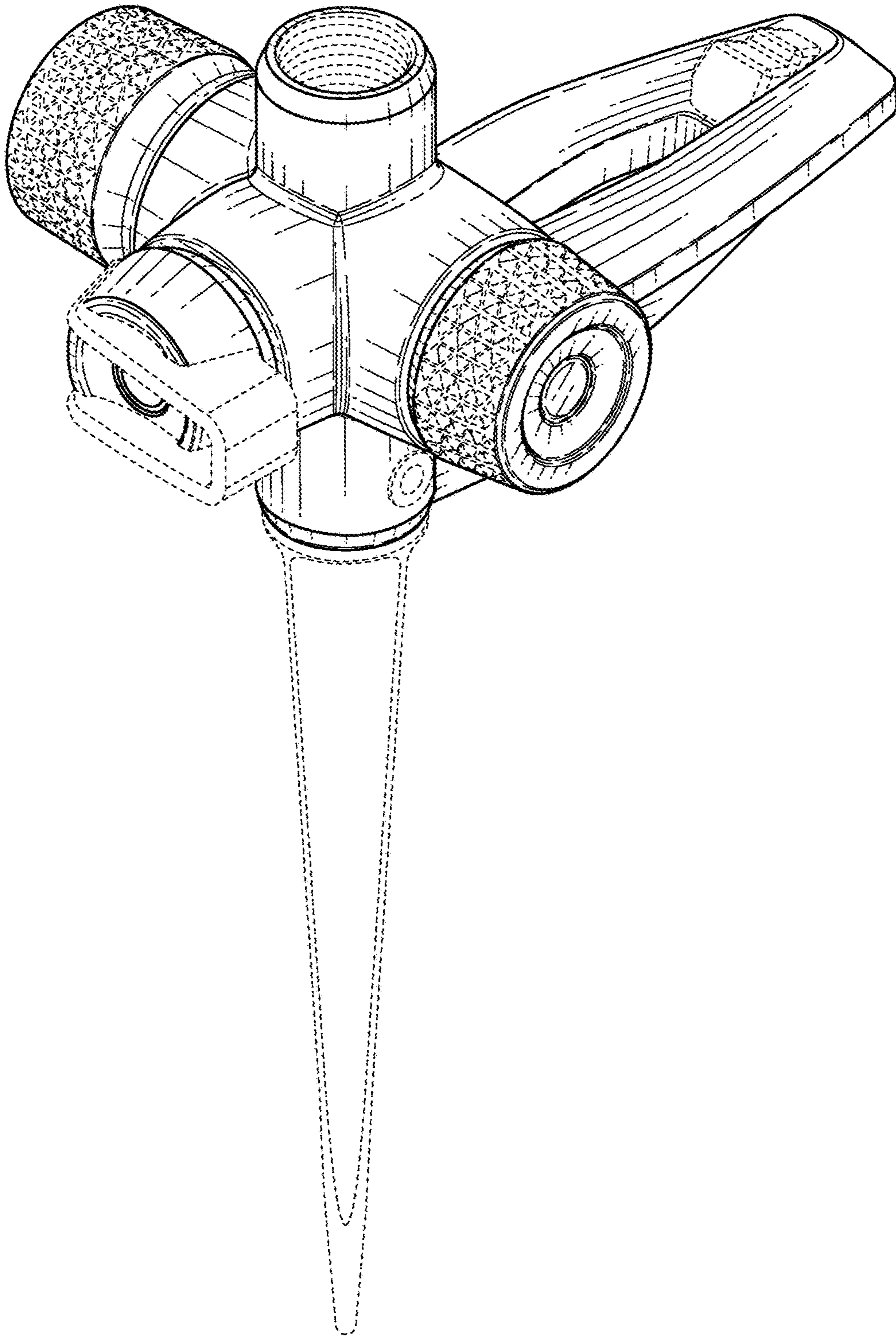


FIG. 1

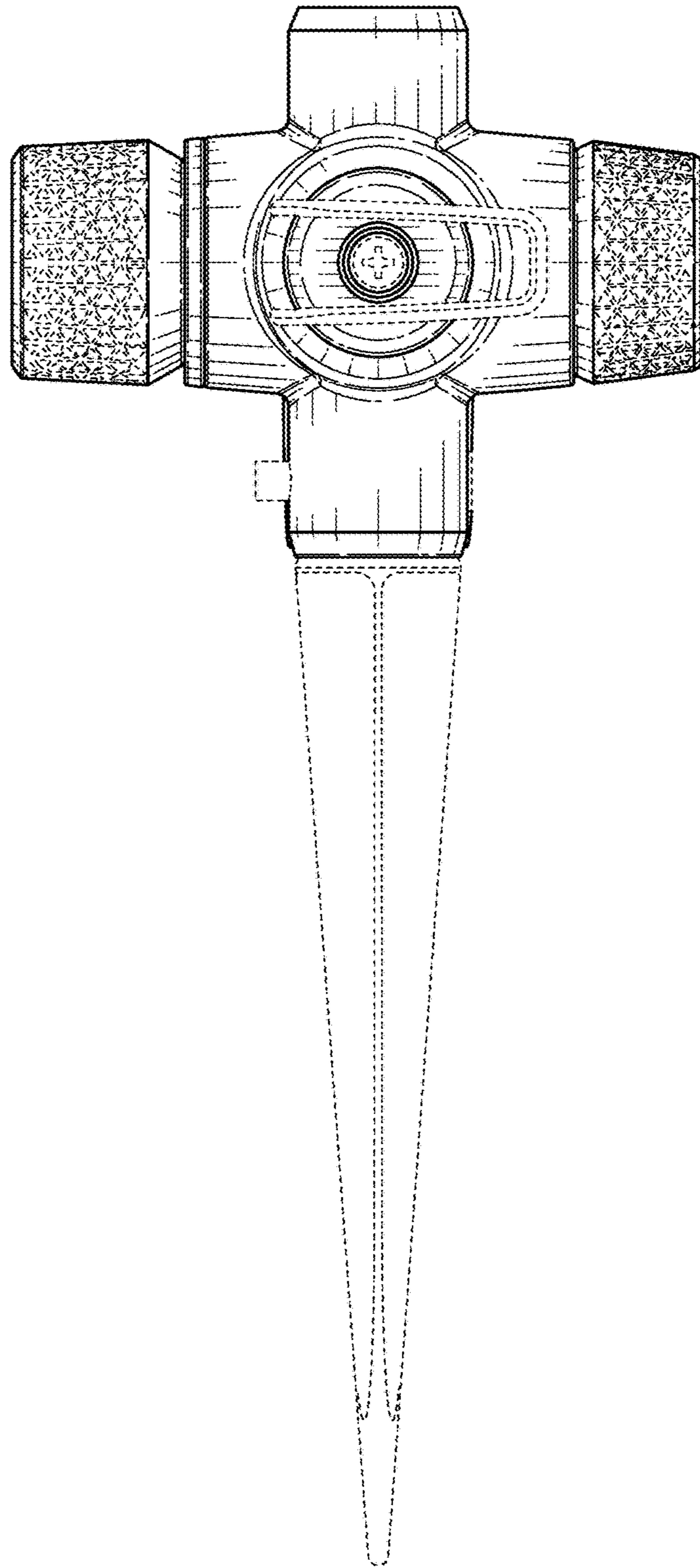


FIG. 2

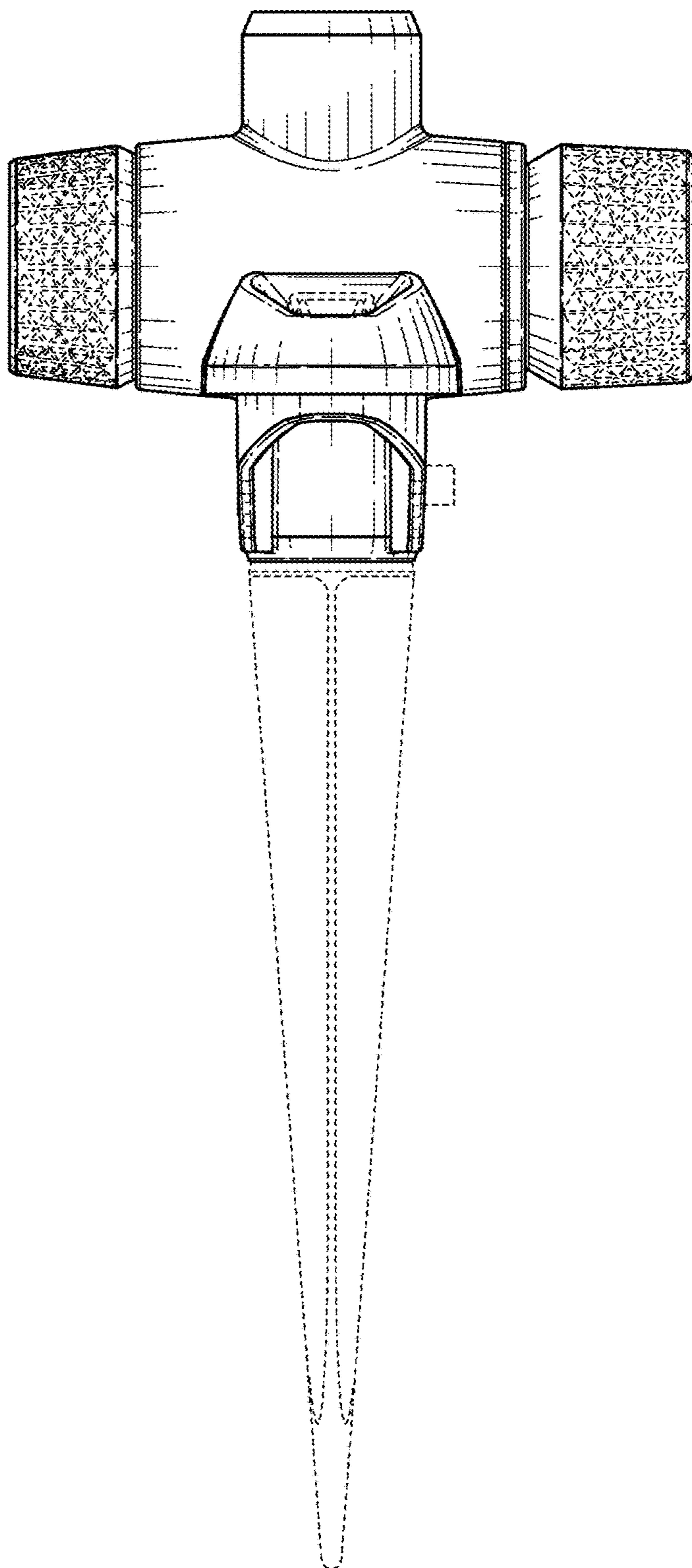


FIG. 3

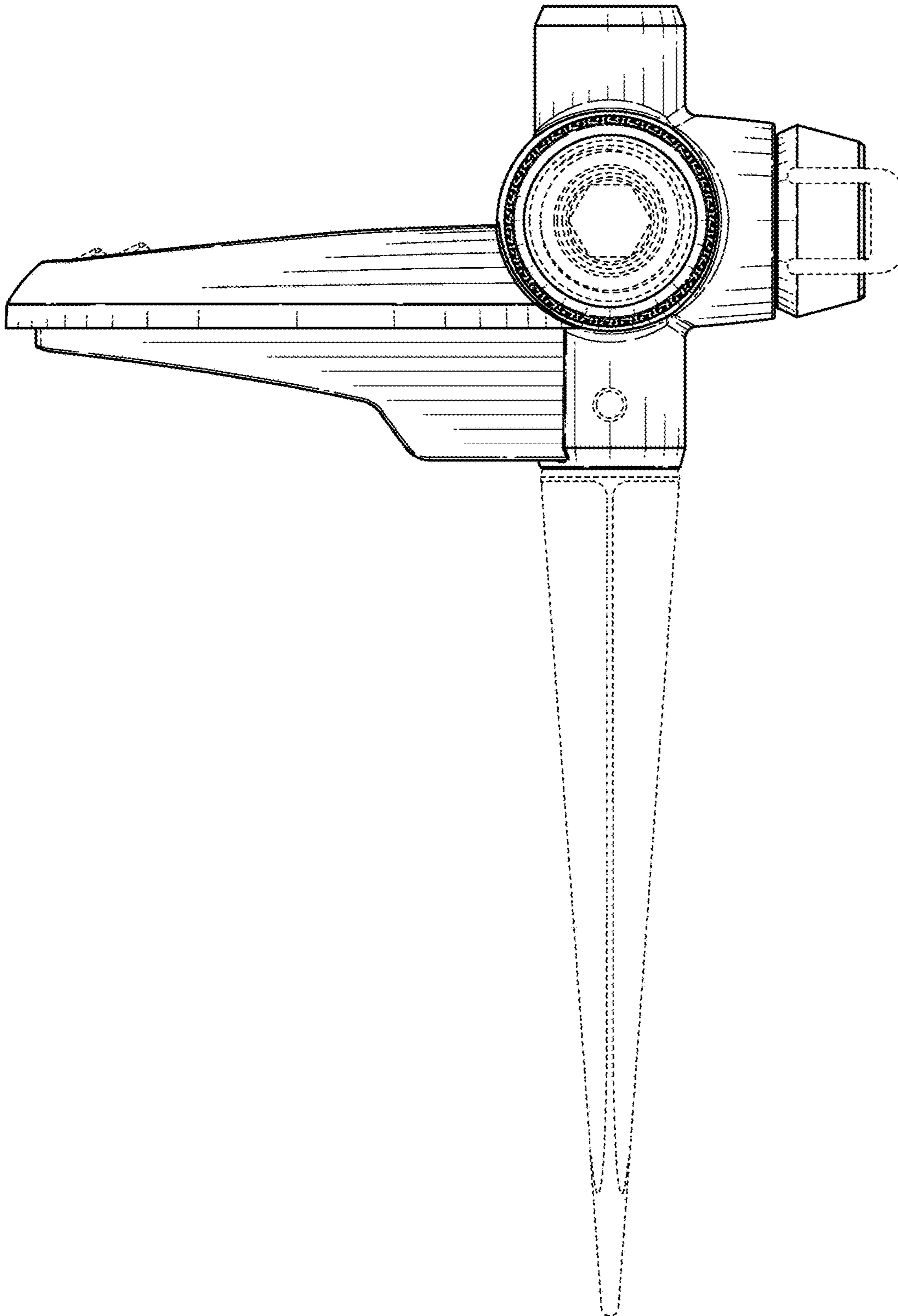


FIG. 4

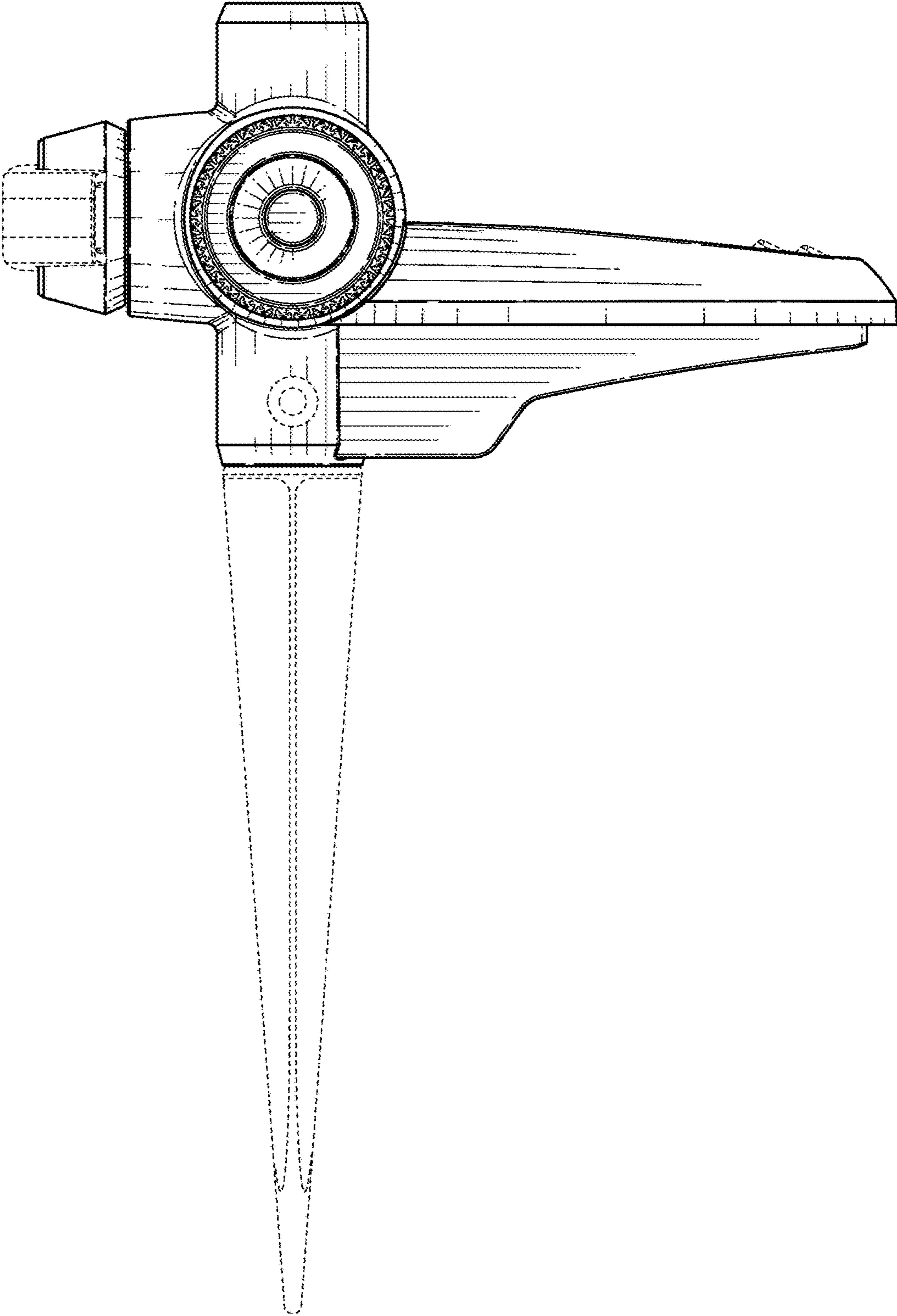


FIG. 5

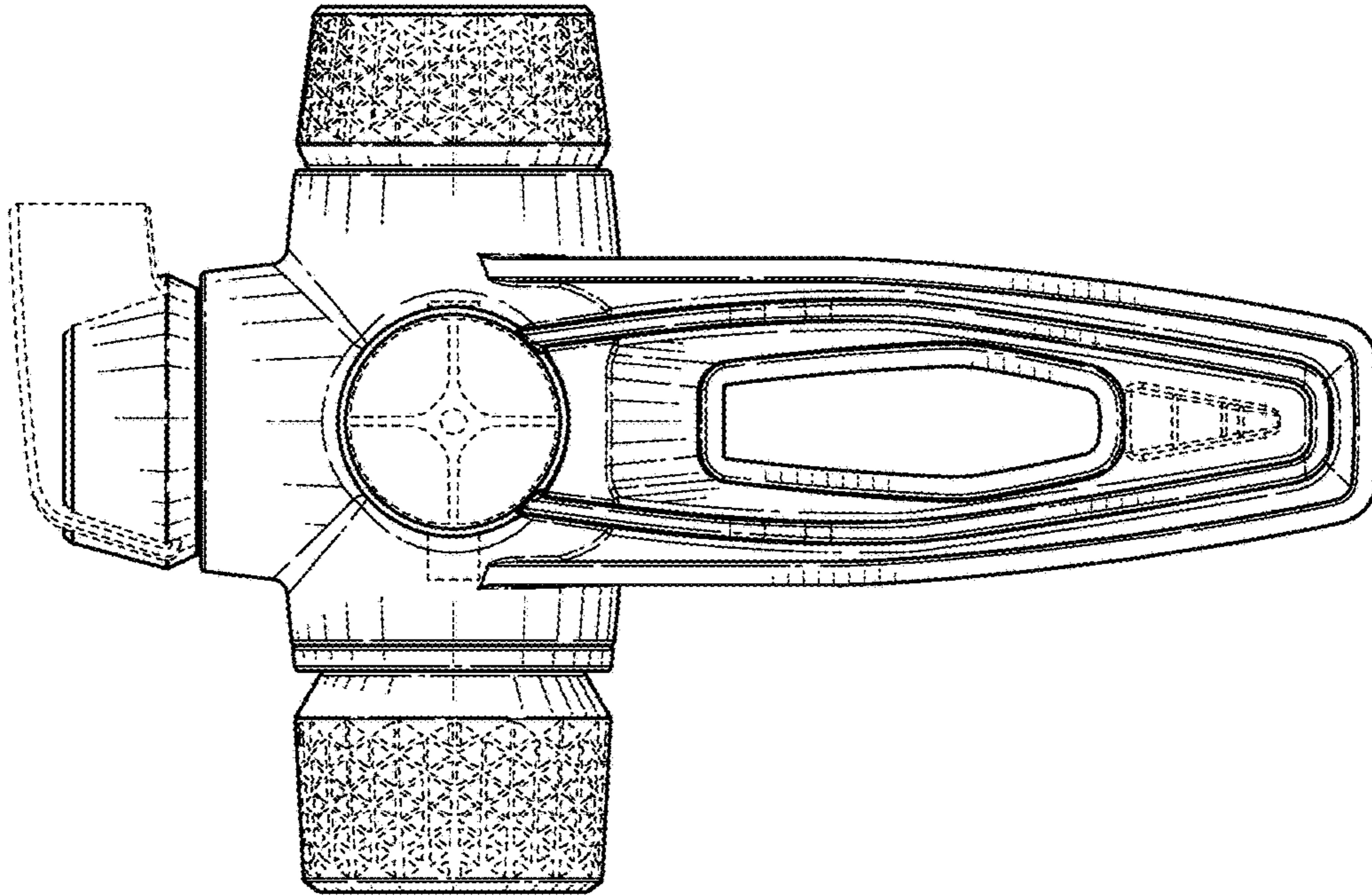


FIG. 7

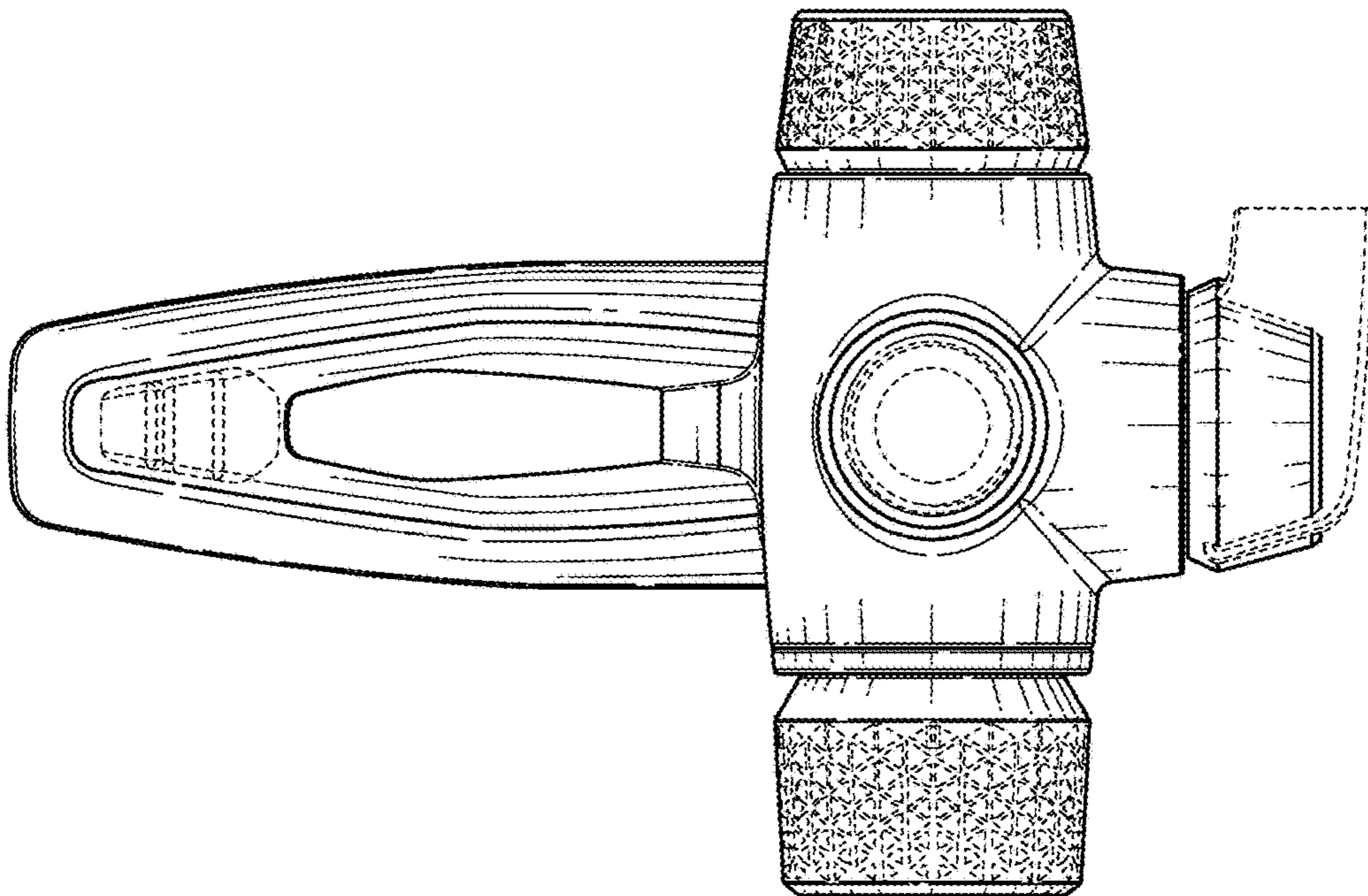


FIG. 6