



US00D819170S

(12) **United States Design Patent**
Vallo et al.

(10) **Patent No.:** **US D819,170 S**
(45) **Date of Patent:** **** May 29, 2018**

(54) **SPRINKLER HEAD**
(71) Applicant: **Fiskars Oyj Abp**, Helsinki (FI)
(72) Inventors: **Nicholas Vallo**, Madison, WI (US);
Andrew P. Block, Madison, WI (US)
(73) Assignee: **Fiskars Oyj Abp**, Helsinki (FI)
(**) Term: **15 Years**
(21) Appl. No.: **29/597,606**
(22) Filed: **Mar. 17, 2017**
(51) **LOC (11) Cl.** **23-01**
(52) **U.S. Cl.**
USPC **D23/214**
(58) **Field of Classification Search**
USPC D23/214–218; 239/201–206
CPC A01G 15/00; B05B 15/10
See application file for complete search history.

D497,973 S 11/2004 Schapper
D510,406 S 10/2005 Sener et al.
D523,523 S 6/2006 Burnworth et al.
D527,441 S 8/2006 La Mesa et al.
7,303,148 B2 12/2007 Campbell et al.
7,469,865 B2 12/2008 Mayorga
D615,611 S 5/2010 Cheng
D620,551 S 7/2010 Mayher
D621,473 S * 8/2010 Hanna D23/214
D621,906 S * 8/2010 Hanna D23/214
D633,598 S 3/2011 Baron et al.
D635,643 S 4/2011 Hanna et al.
8,672,236 B2 * 3/2014 Gal A01G 25/00
239/214
D750,743 S 3/2016 Holmes
9,339,828 B1 * 5/2016 Wang B08B 9/0936
9,439,365 B2 9/2016 Lo
D774,625 S 12/2016 Boughton et al.

* cited by examiner

Primary Examiner — Robin V Webster
(74) *Attorney, Agent, or Firm* — Foley & Lardner LLP

(57) **CLAIM**

We claim the ornamental design for a sprinkler head, as shown and described.

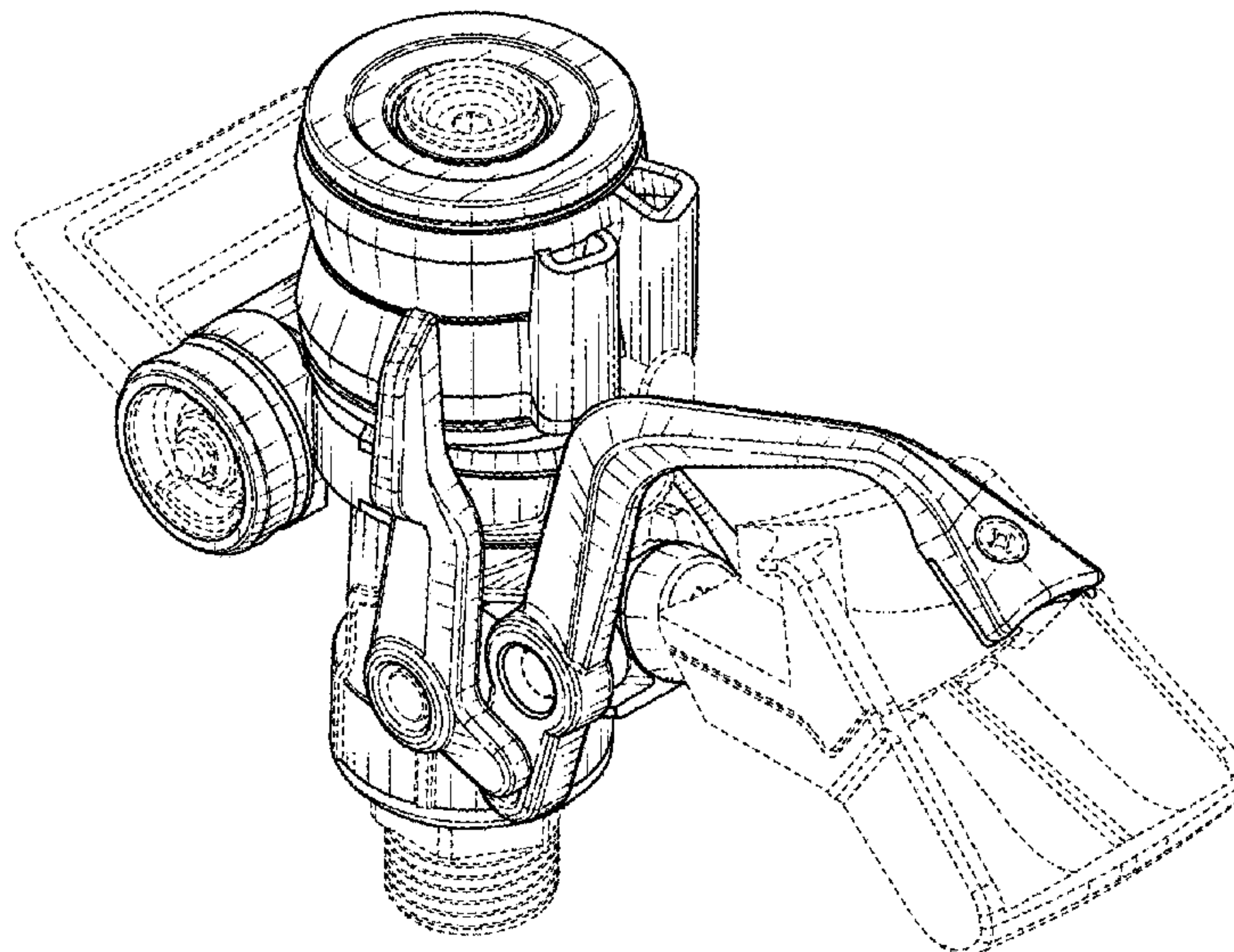
DESCRIPTION

FIG. 1 is a top perspective view of an embodiment of the claimed design;
FIG. 2 is front view thereof;
FIG. 3 is a rear view thereof;
FIG. 4 is a right side view thereof;
FIG. 5 is a left side view thereof;
FIG. 6 is a top view thereof; and,
FIG. 7 is a bottom view thereof.
Any portion of the article depicted in broken lines forms no part of the claimed design. Broken lines formed by equal length dashes show unclaimed subject matter.

1 Claim, 7 Drawing Sheets

(56) **References Cited**
U.S. PATENT DOCUMENTS

D142,401 S 9/1945 Goggins
D191,158 S * 8/1961 Beinert D23/214
3,385,525 A 5/1968 Jacobs
3,625,429 A * 12/1971 Turrell B05B 3/0472
239/206
4,173,306 A * 11/1979 Ridgway B05B 15/10
239/230
D263,868 S 4/1982 Chow et al.
D276,174 S * 10/1984 Chow D23/214
D287,267 S * 12/1986 Premo D23/214
D310,477 S 9/1990 Fleecs
5,020,722 A * 6/1991 Wardell A01G 25/00
239/1
D412,556 S 8/1999 Hsin-Fa
D437,389 S 2/2001 Hsin-Fa
6,758,410 B2 7/2004 Kuo



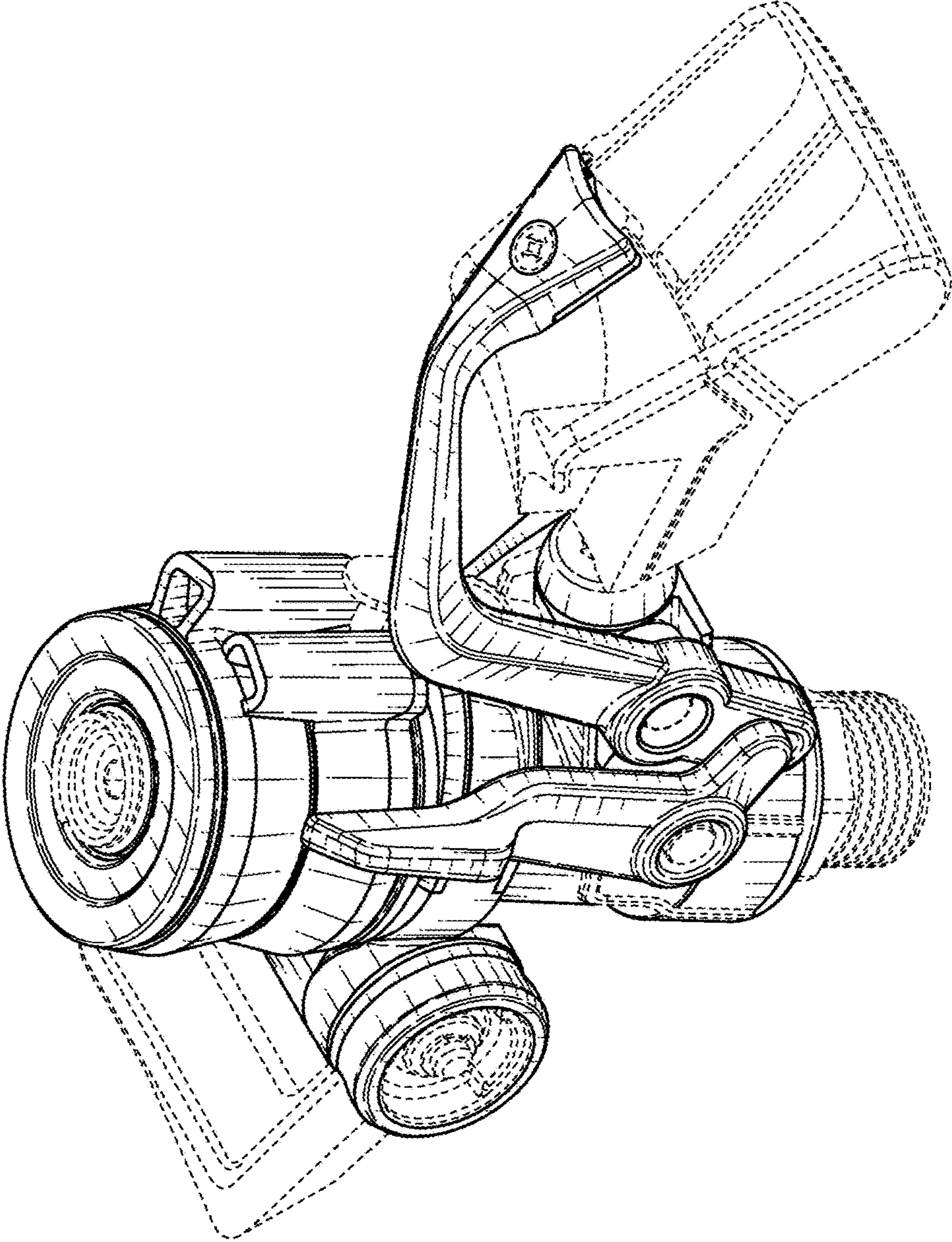


FIG. 1

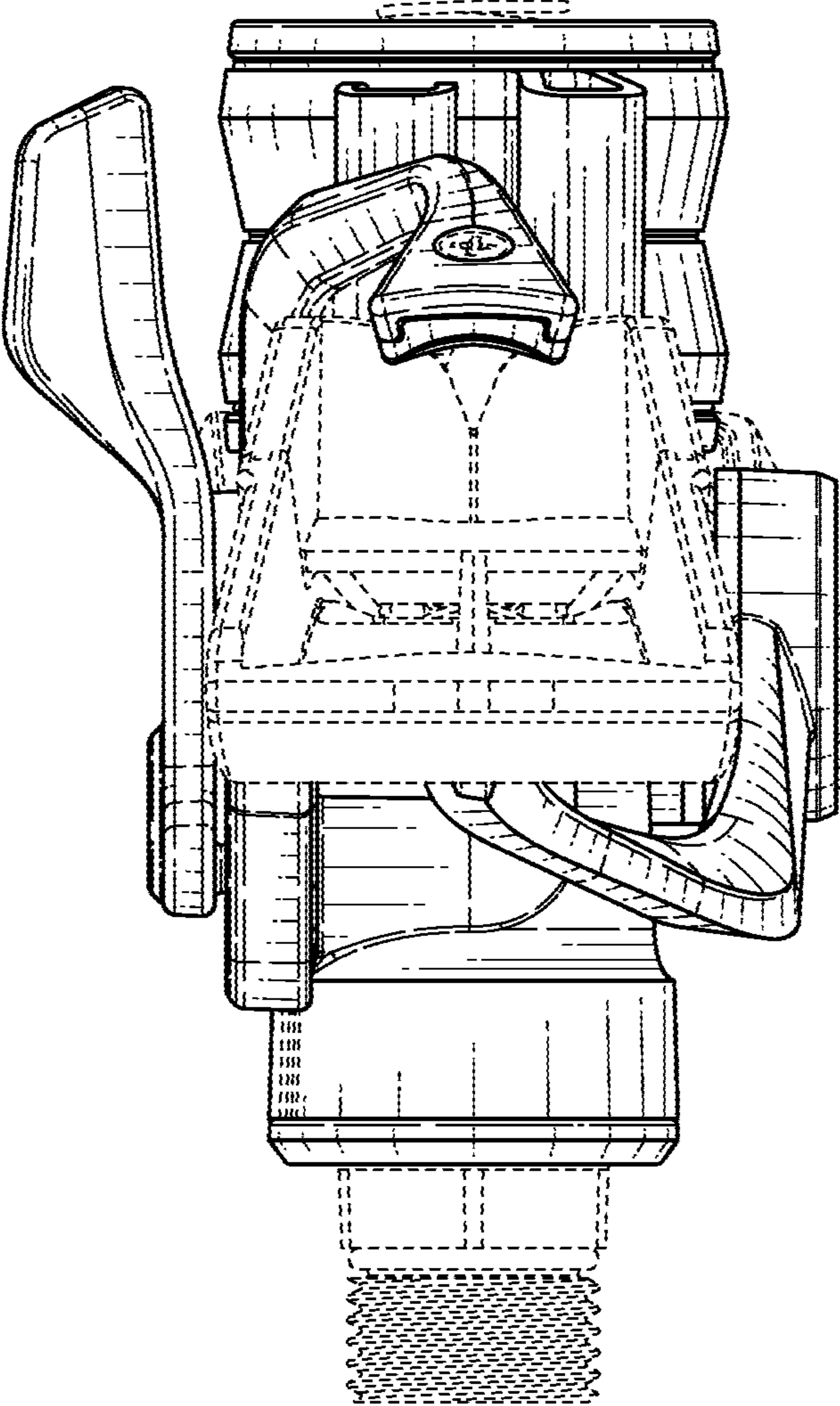


FIG. 2

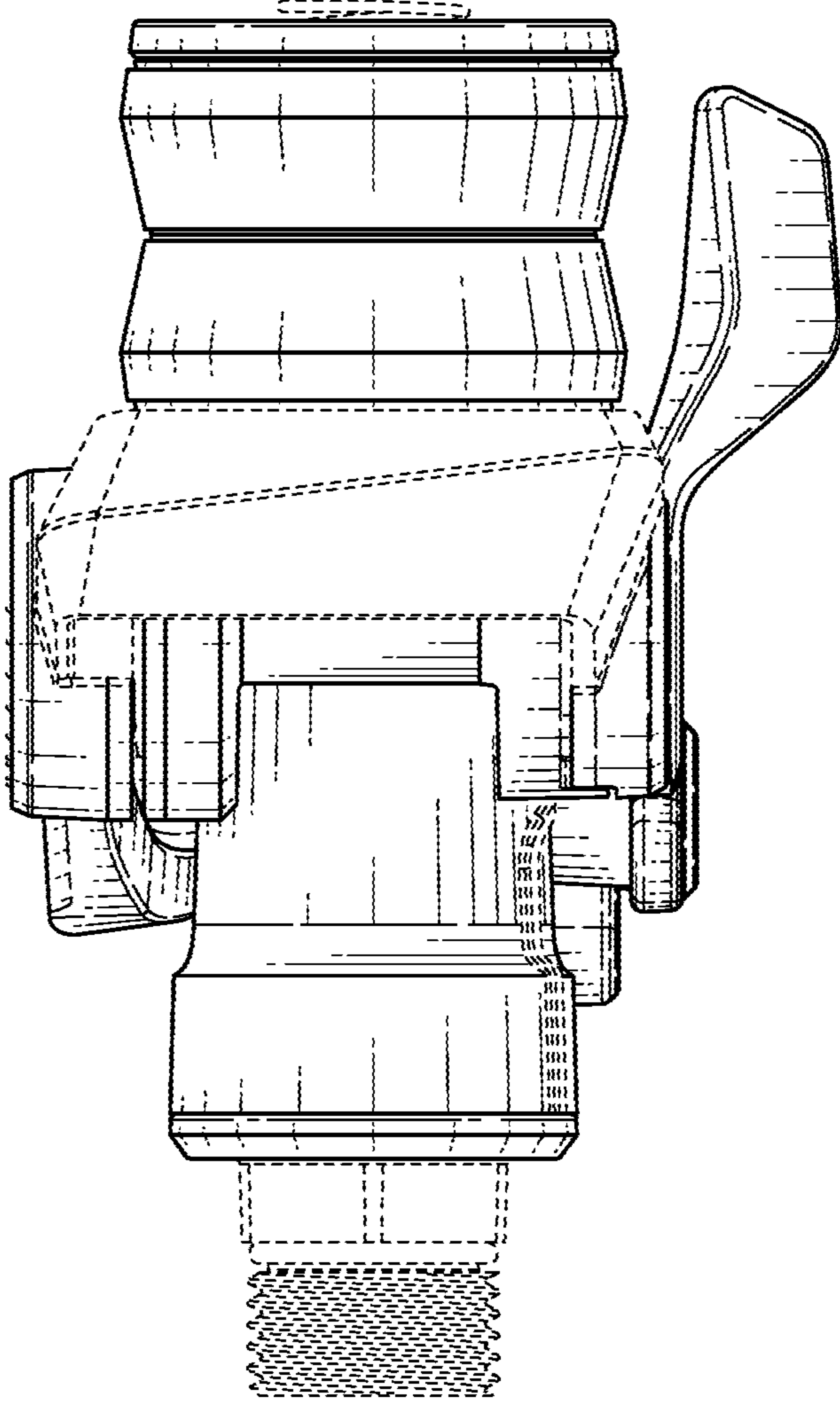


FIG. 3

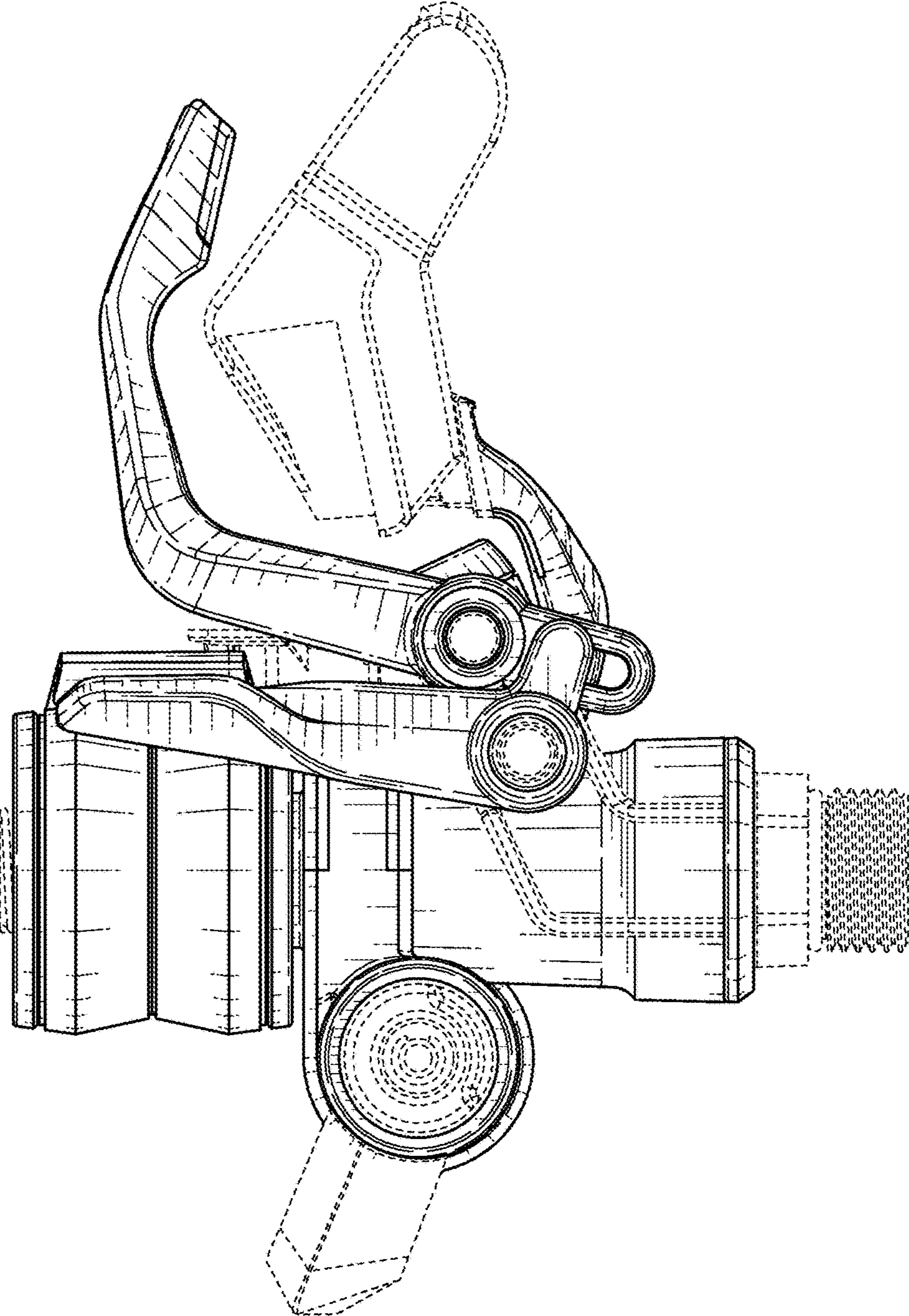


FIG. 4

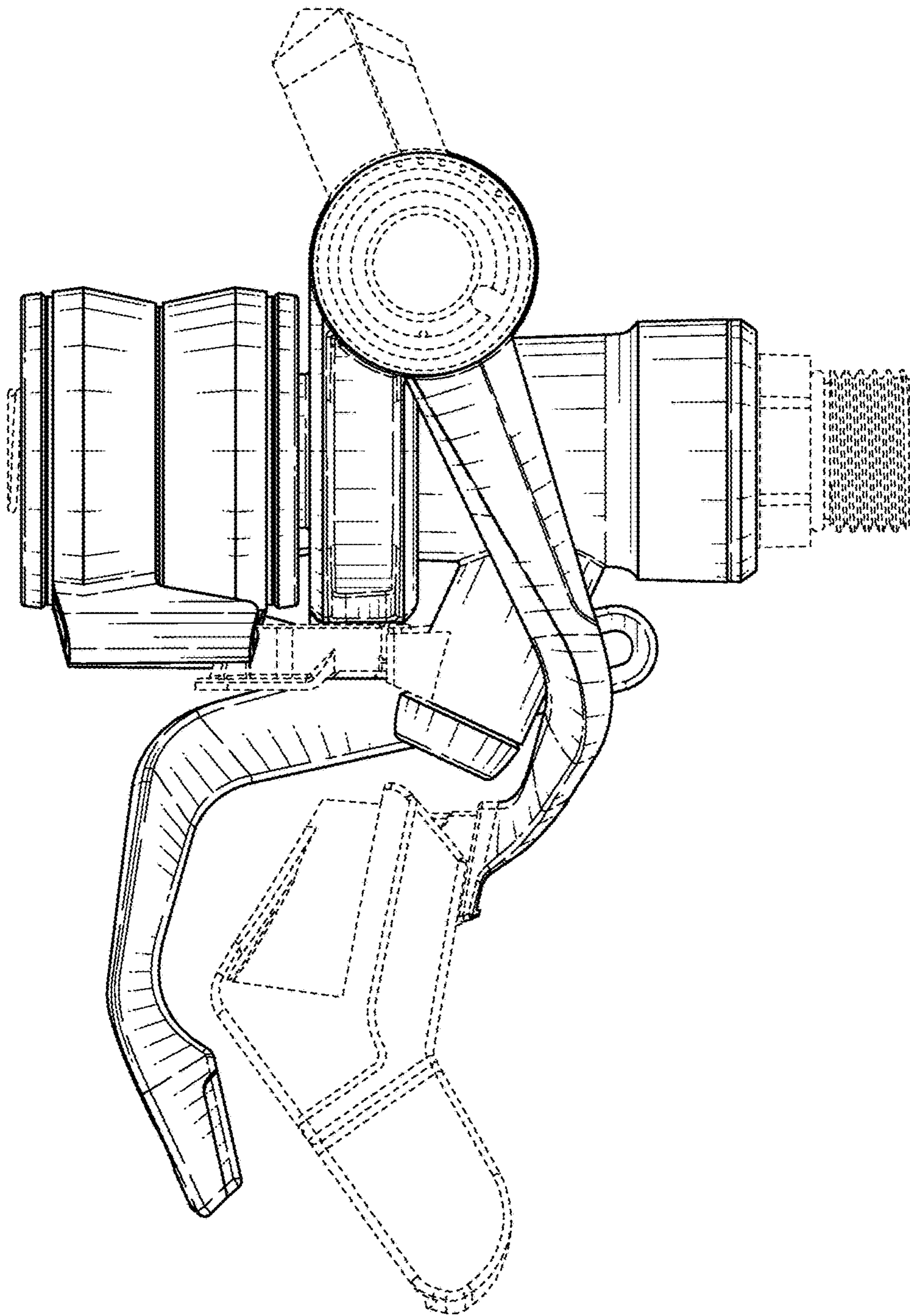


FIG. 5

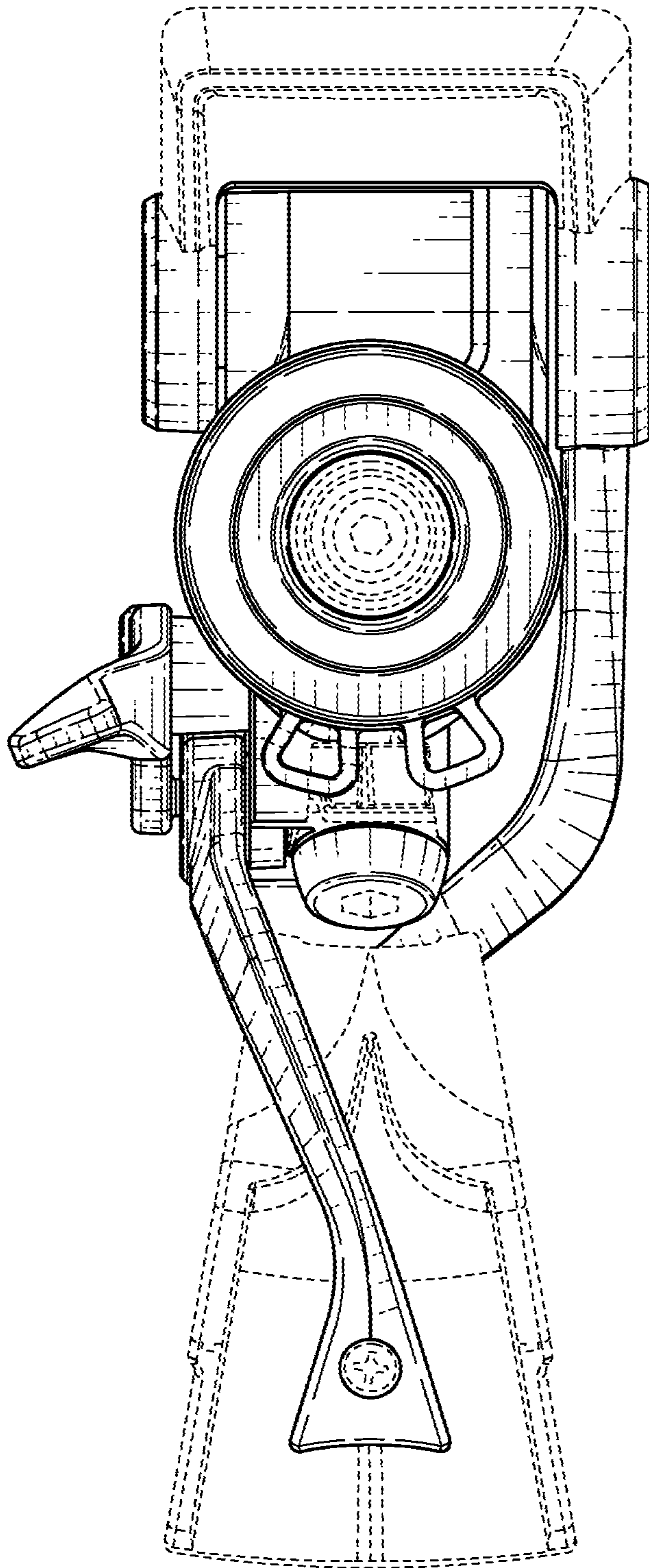


FIG. 6

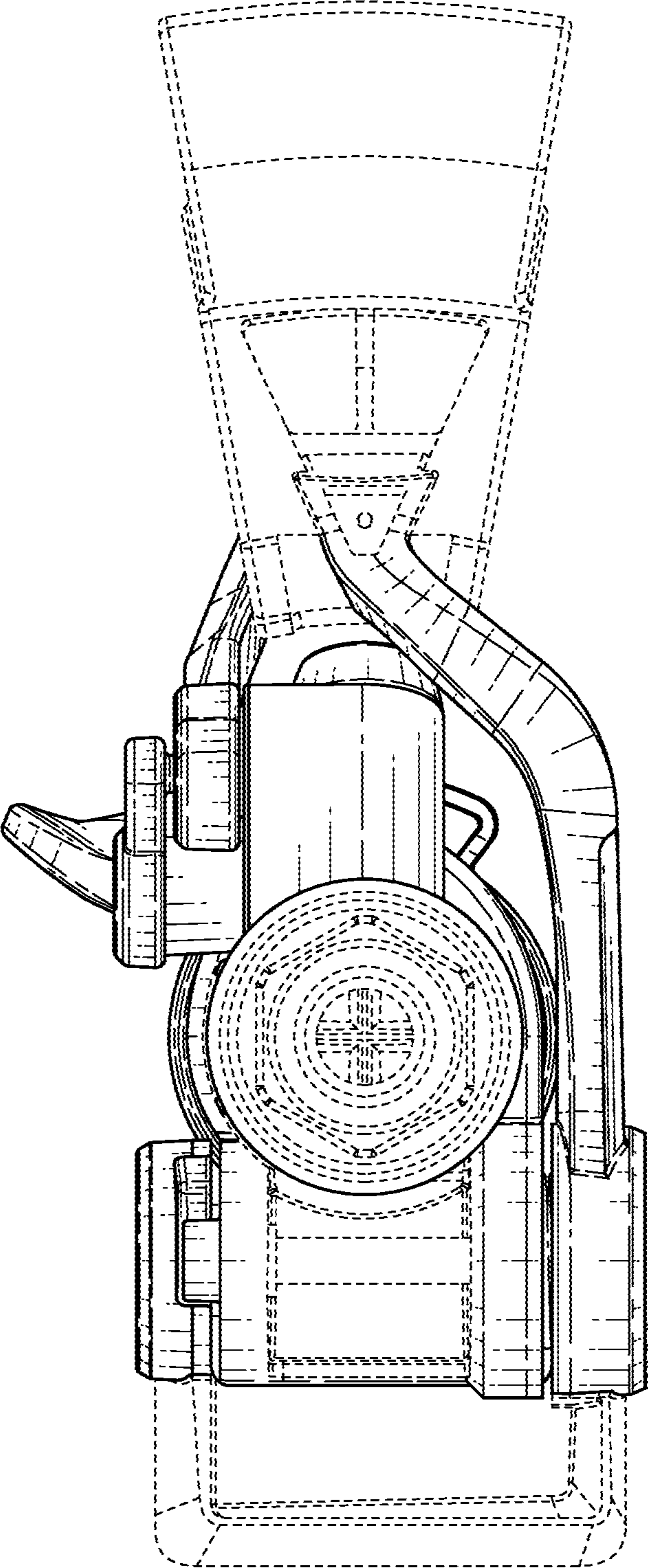


FIG. 7