



US00D819169S

(12) **United States Design Patent**
Osborne

(10) **Patent No.:** **US D819,169 S**

(45) **Date of Patent:** **** May 29, 2018**

(54) **BLOWER SPRAY NOZZLE**
(71) Applicant: **Joseph D. Osborne**, Hickory, NC (US)
(72) Inventor: **Joseph D. Osborne**, Hickory, NC (US)
(**) Term: **15 Years**

(21) Appl. No.: **29/614,590**
(22) Filed: **Aug. 21, 2017**
(51) **LOC (11) Cl.** **23-01**
(52) **U.S. Cl.**
USPC **D23/213**; D32/25
(58) **Field of Classification Search**
USPC D23/213; D32/15, 25; D8/2; 239/373,
239/223, 289, 599, 154; 15/405, 415.1
CPC B05B 9/0816; B05B 9/08; A47L 9/02
See application file for complete search history.

(56) **References Cited**

U.S. PATENT DOCUMENTS

1,466,965 A * 9/1923 Savage F23L 17/16
239/457
D175,627 S * 9/1955 Martin 239/654
3,539,110 A 11/1970 Kobayashi
4,595,142 A * 6/1986 Kawaharazuka ... A01M 7/0021
239/373
D299,571 S 1/1989 Kiyooka et al.
D370,523 S * 6/1996 Stierman D23/213

D377,248 S * 1/1997 Kishi D32/15
D393,506 S * 4/1998 Ohi D32/15
5,768,749 A * 6/1998 Ohi A47L 5/14
15/328
7,140,449 B1 11/2006 Ebner
D533,322 S * 12/2006 Blateri D32/25
D607,969 S 1/2010 Ariaz

* cited by examiner

Primary Examiner — Robin V Webster

(74) *Attorney, Agent, or Firm* — Schwartz Law Firm, P.C.

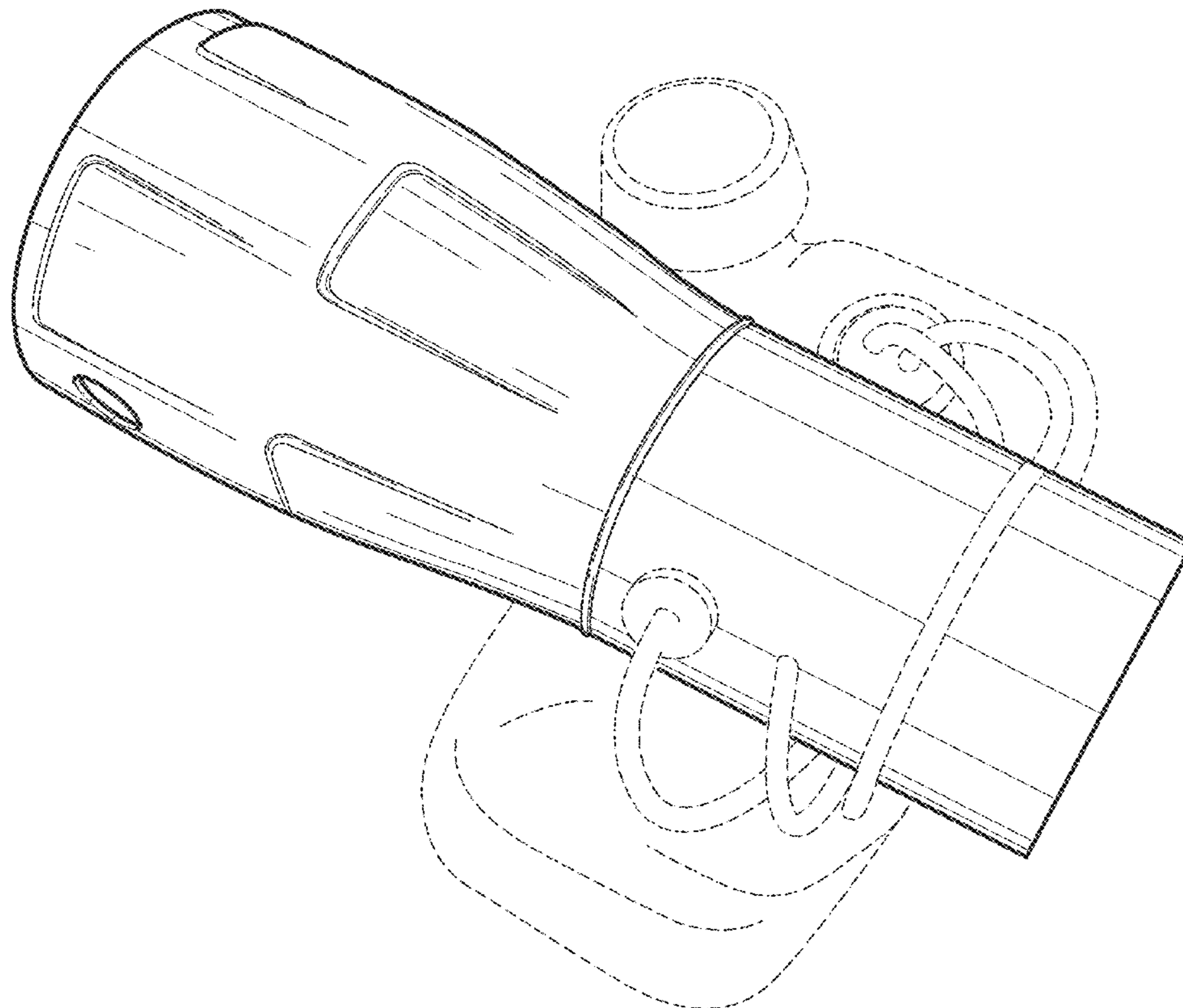
(57) **CLAIM**

I claim the ornamental design for a blower spray nozzle, as shown and described.

DESCRIPTION

FIG. 1 is a top perspective view of the blower spray nozzle; FIG. 2 is a further top view of the blower spray nozzle; FIG. 3 is a bottom view of the blower spray nozzle; FIG. 4 is a front end perspective view of the blower spray nozzle; FIG. 5 is a rear end perspective view of the blower spray nozzle; FIG. 6 is a further front end view of the blower spray nozzle; and, FIG. 7 is a further rear end view of the blower spray nozzle. The fuel tank and other elements shown in broken lines in the drawings are for environmental purposes only, and form no part of the claimed design.

1 Claim, 7 Drawing Sheets



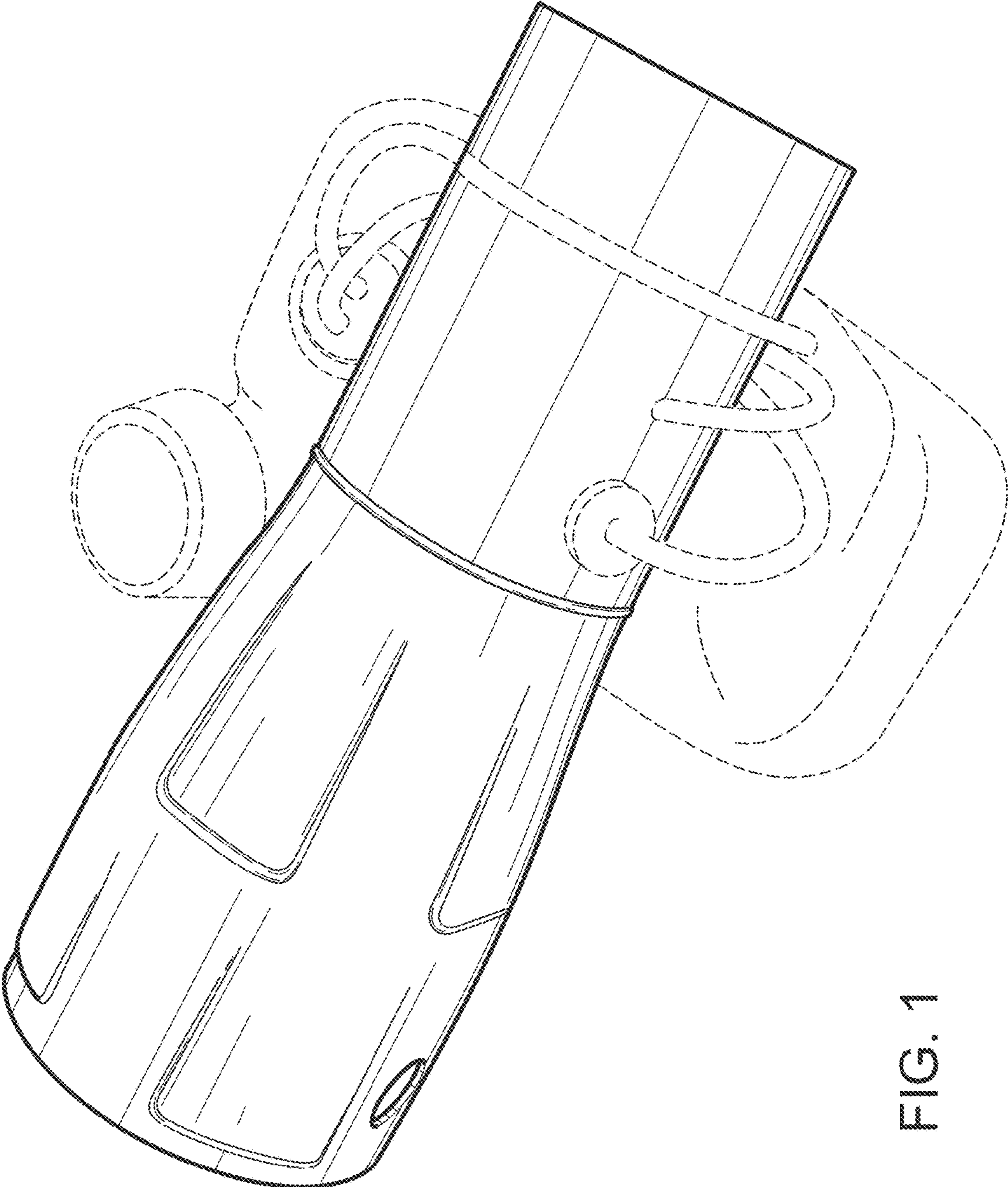


FIG. 1

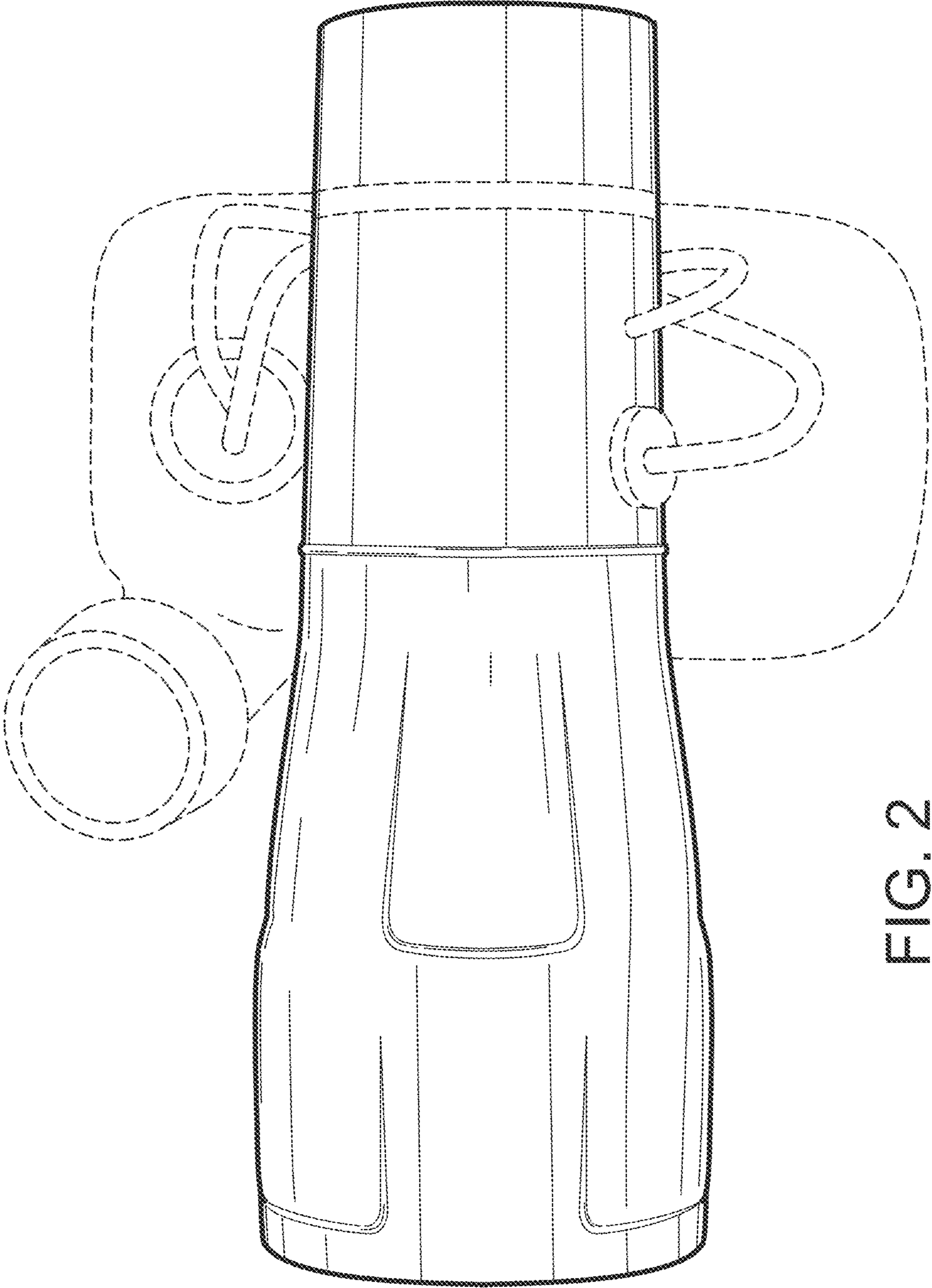


FIG. 2

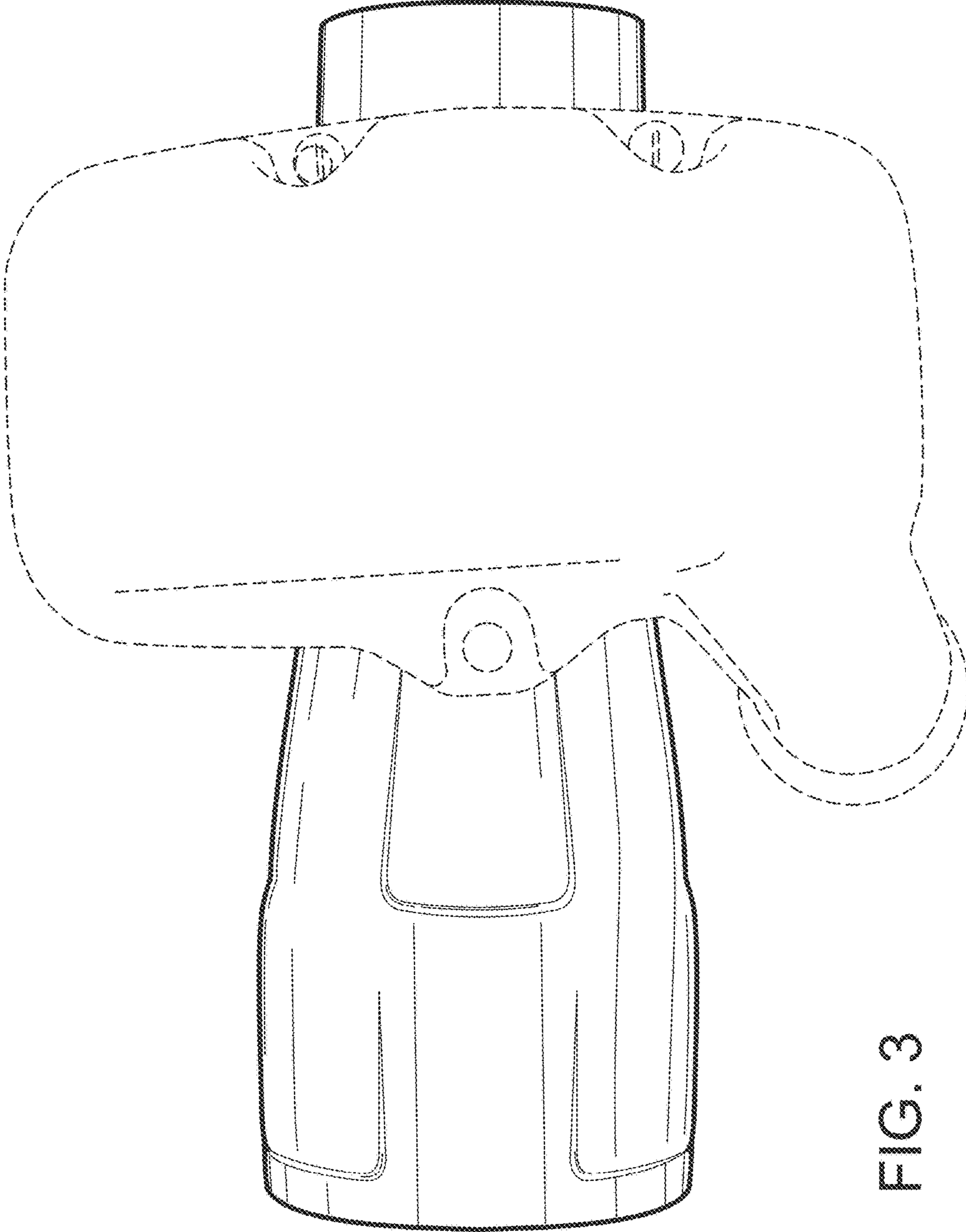


FIG. 3

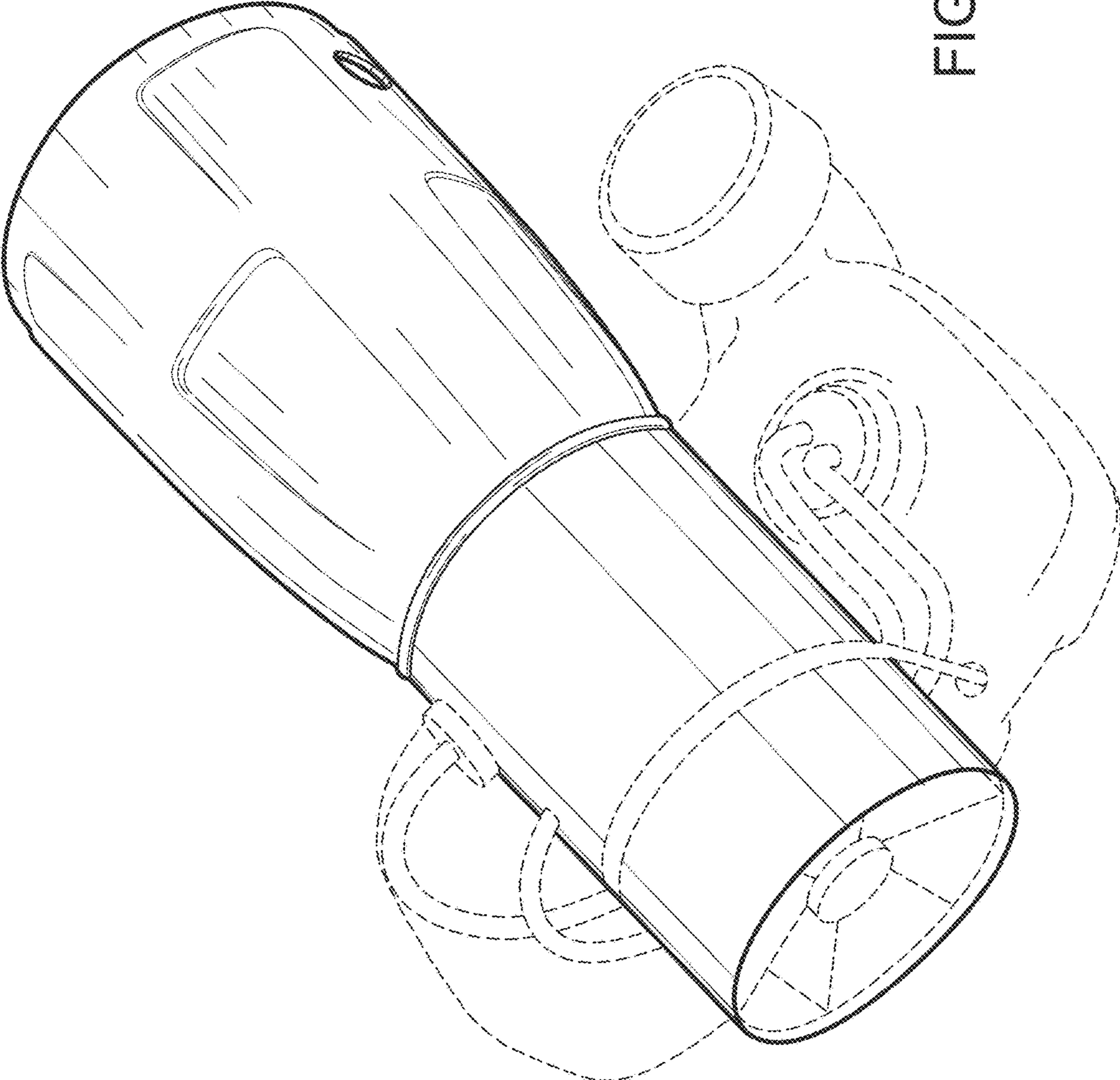


FIG. 4

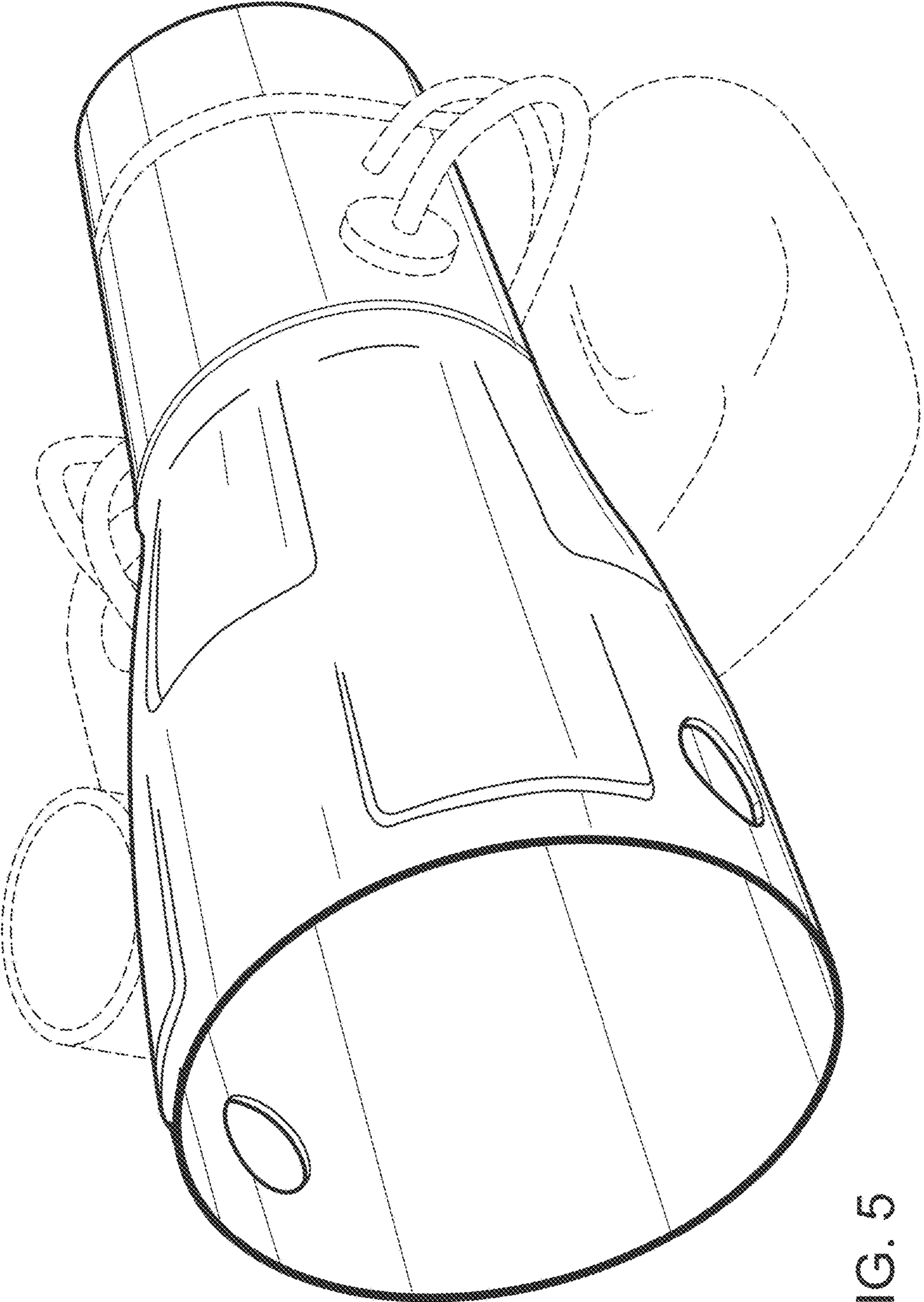


FIG. 5

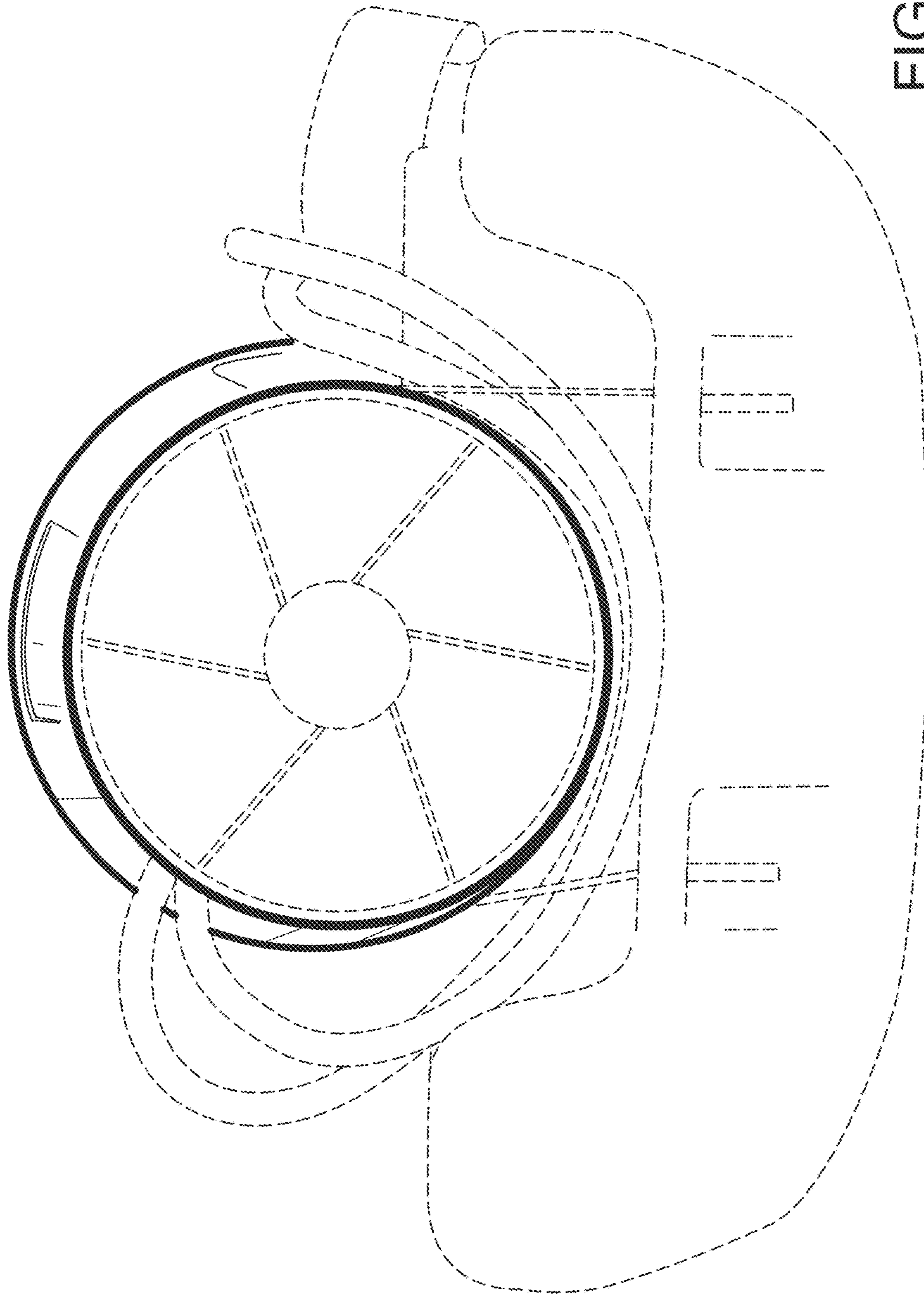


FIG. 6

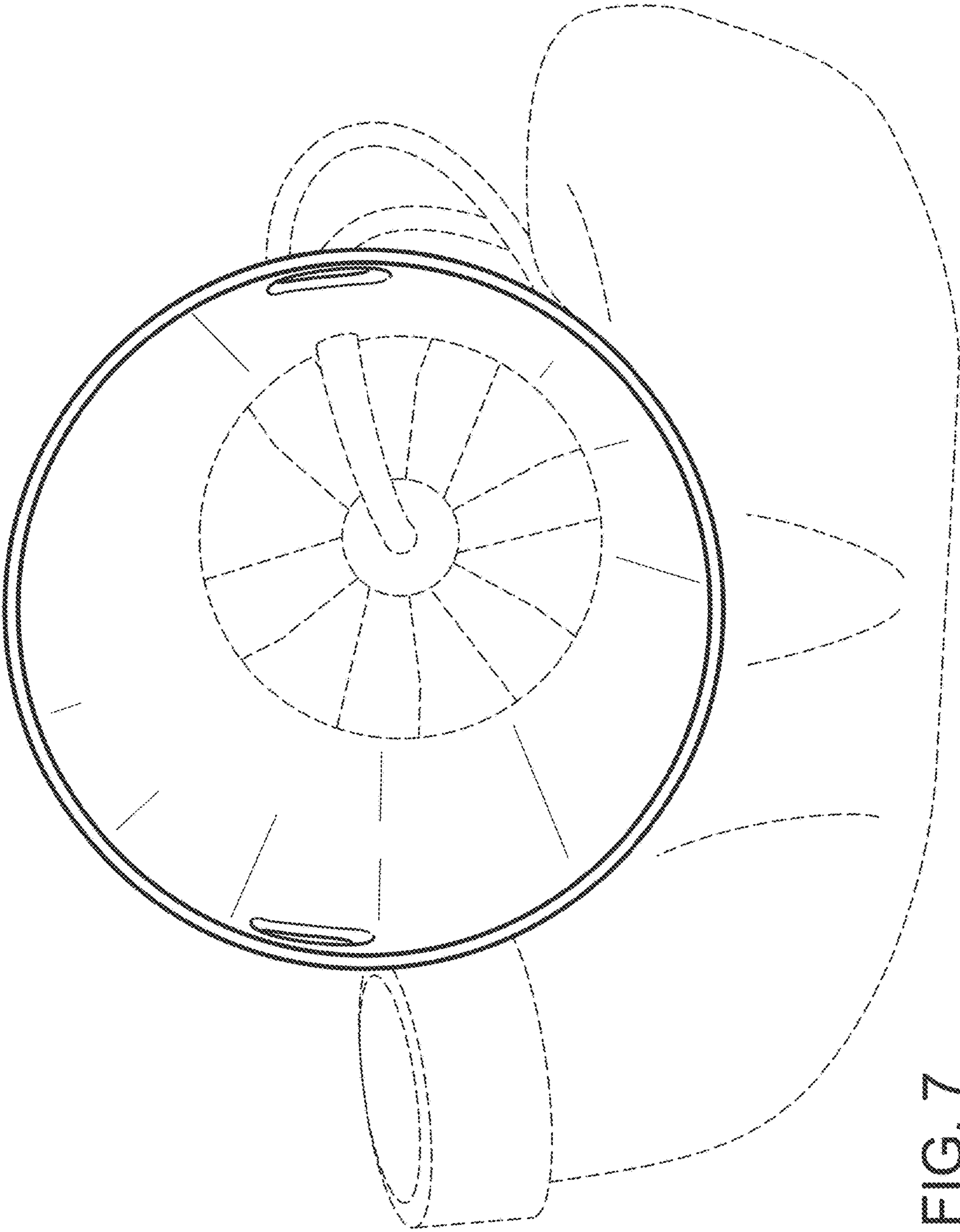


FIG. 7