



US00D819168S

(12) **United States Design Patent**
Reinecker et al.

(10) **Patent No.:** **US D819,168 S**

(45) **Date of Patent:** **** May 29, 2018**

(54) **SHOWERHEAD**

(71) Applicant: **AS IP Holdco, LLC**, Piscataway, NJ
(US)

(72) Inventors: **Greg Reinecker**, Brooklyn, NY (US);
Gabriela Ravassa, Brooklyn, NY (US);
Brian Kalember, Indianapolis, IN
(US); **Emilie Williams**, South
Plainfield, NJ (US); **Jean-Jacques**
L'Henaff, New Canaan, CT (US)

(73) Assignee: **AS IP Holdco, LLC**, Piscataway, NJ
(US)

(**) Term: **15 Years**

(21) Appl. No.: **29/590,266**

(22) Filed: **Jan. 9, 2017**

(51) **LOC (11) Cl.** **23-01**

(52) **U.S. Cl.**
USPC **D23/213**

(58) **Field of Classification Search**
USPC D23/213, 223, 229, 230, 228; D24/200,
D24/215; 239/381
CPC E03C 1/06; B05B 1/00; B05B 5/00; B05B
1/005; B05B 13/005
See application file for complete search history.

(56) **References Cited**

U.S. PATENT DOCUMENTS

D559,945 S * 1/2008 Patterson D23/213
D621,905 S * 8/2010 Yoo D23/213

D674,039 S * 1/2013 Chibitty D23/213
D674,041 S * 1/2013 Hanus D23/213
D674,042 S * 1/2013 Hanus D23/213
8,720,799 B2 * 5/2014 Tseng E03C 1/06
239/282

* cited by examiner

Primary Examiner — Robin V Webster

(74) *Attorney, Agent, or Firm* — Morrison & Foerster
LLP

(57) **CLAIM**

The ornamental design for a showerhead, as shown and described.

DESCRIPTION

FIG. 1 is a perspective view of a showerhead showing the new design;
FIG. 2 is a front elevational view thereof;
FIG. 3 is a rear elevational view thereof;
FIG. 4 is a right side elevational view thereof;
FIG. 5 is a left side elevational view thereof;
FIG. 6 is a top plan view thereof; and,
FIG. 7 is a bottom plan view thereof.
The features shown in broken lines form no part of the claimed design.

1 Claim, 7 Drawing Sheets

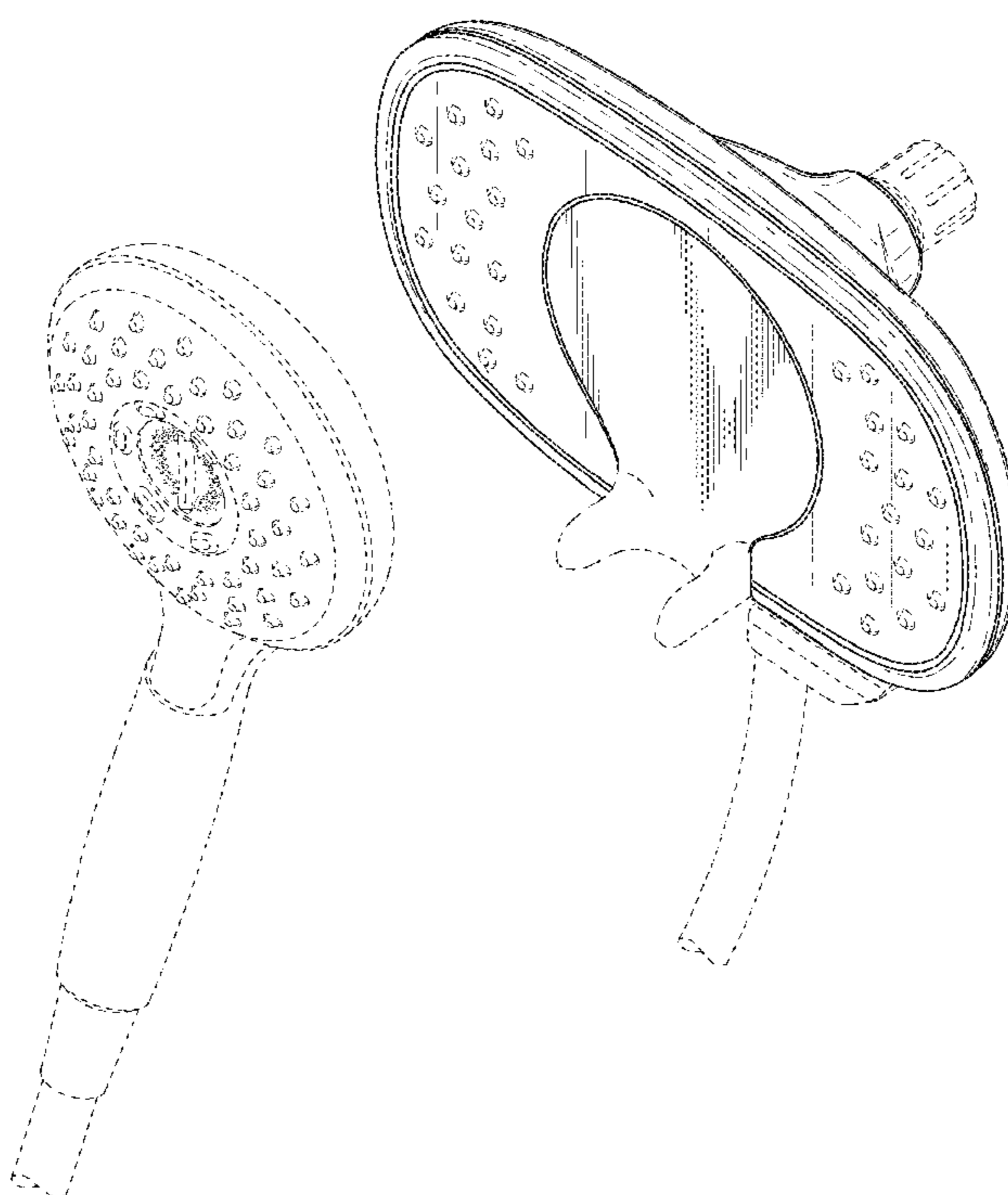


FIG. 1

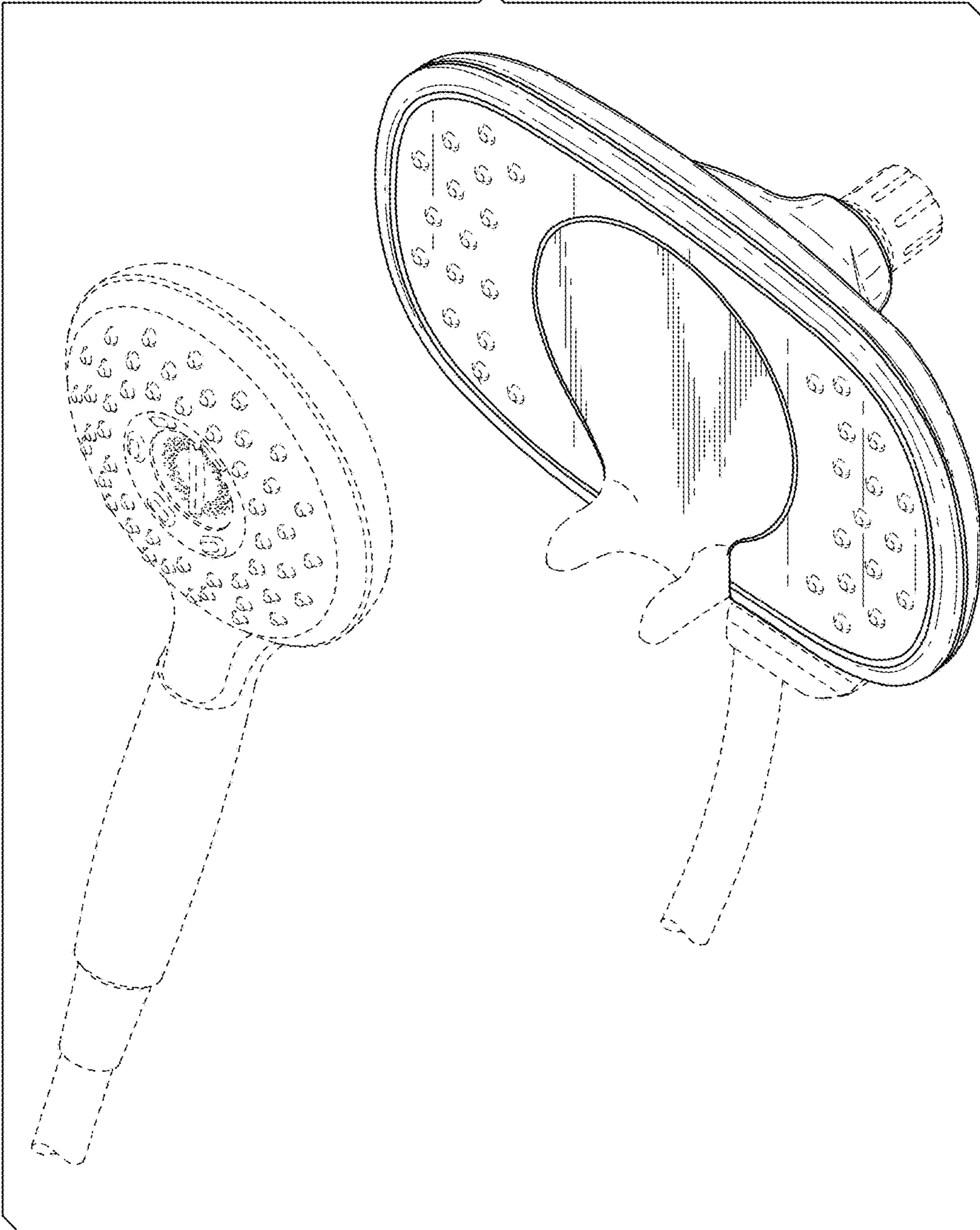


FIG. 2

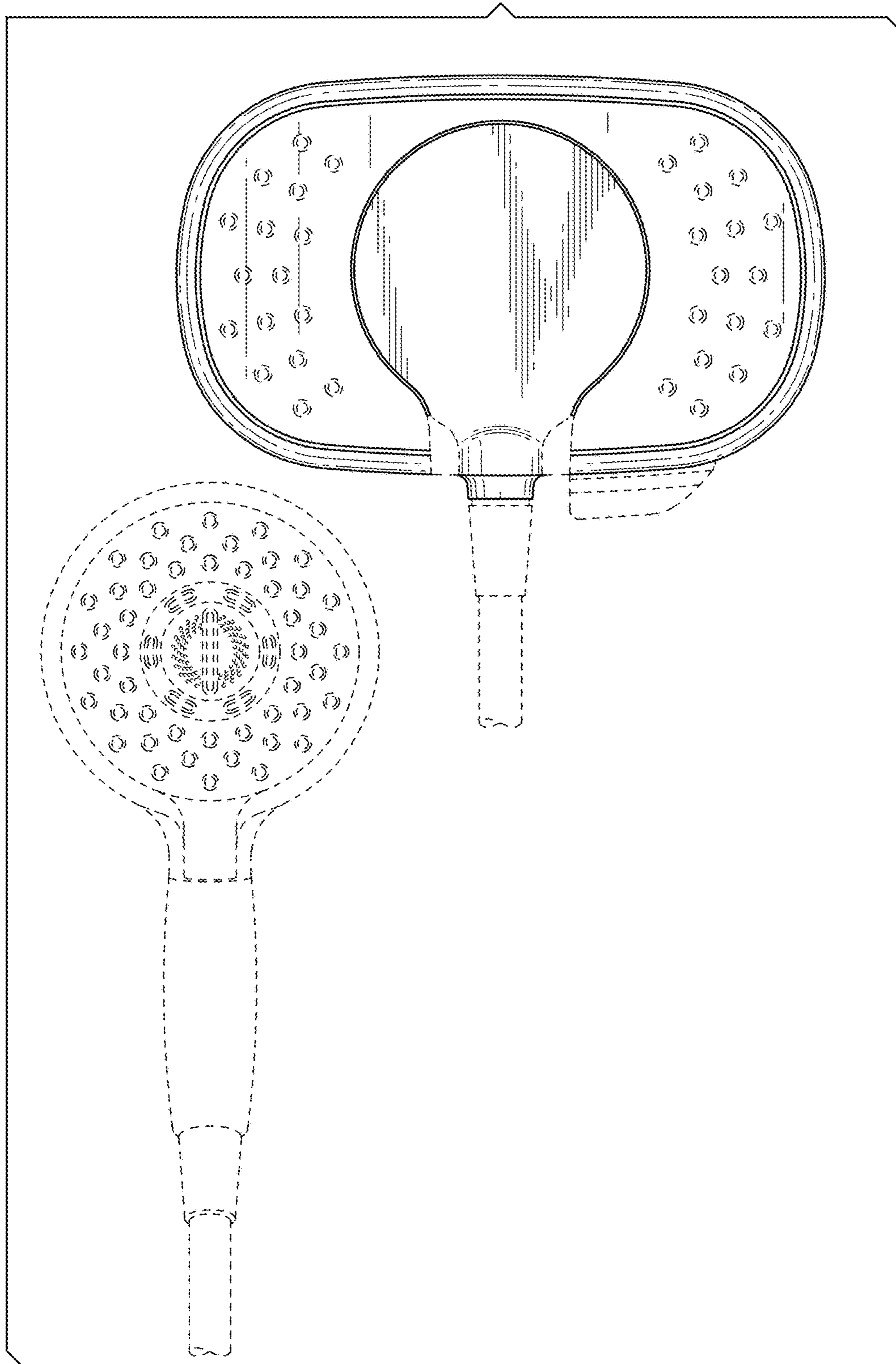


FIG. 3

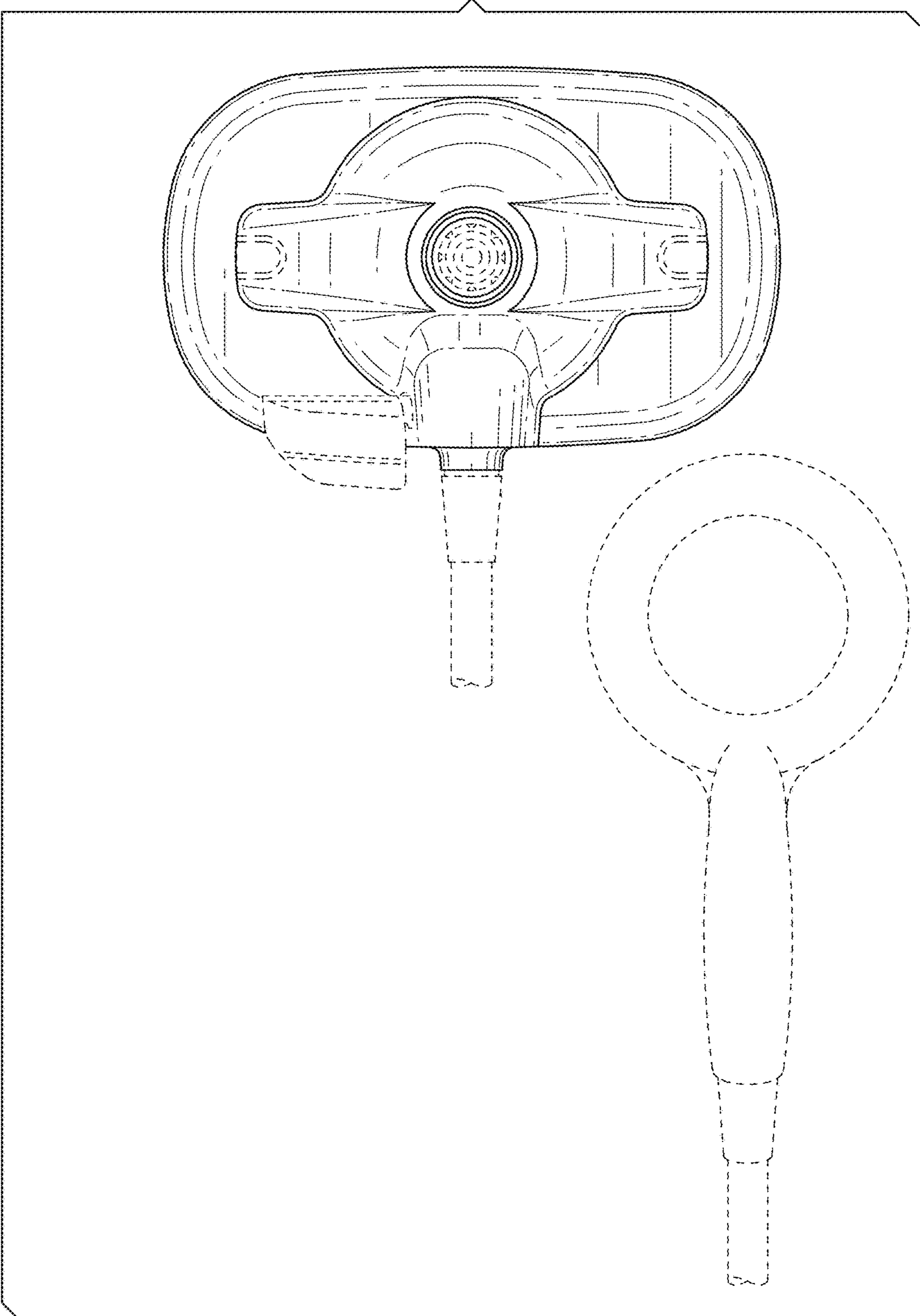


FIG. 4

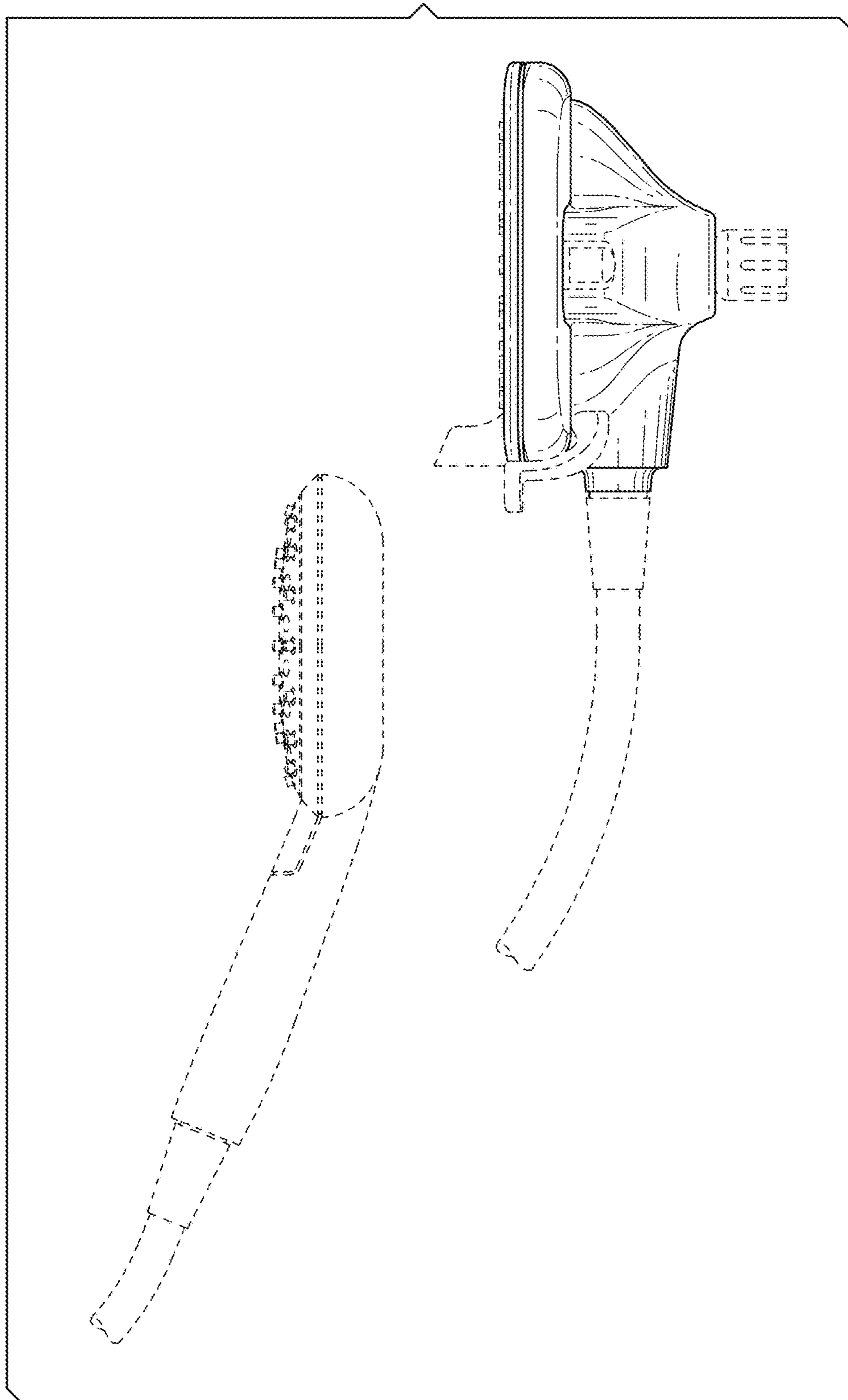


FIG. 5

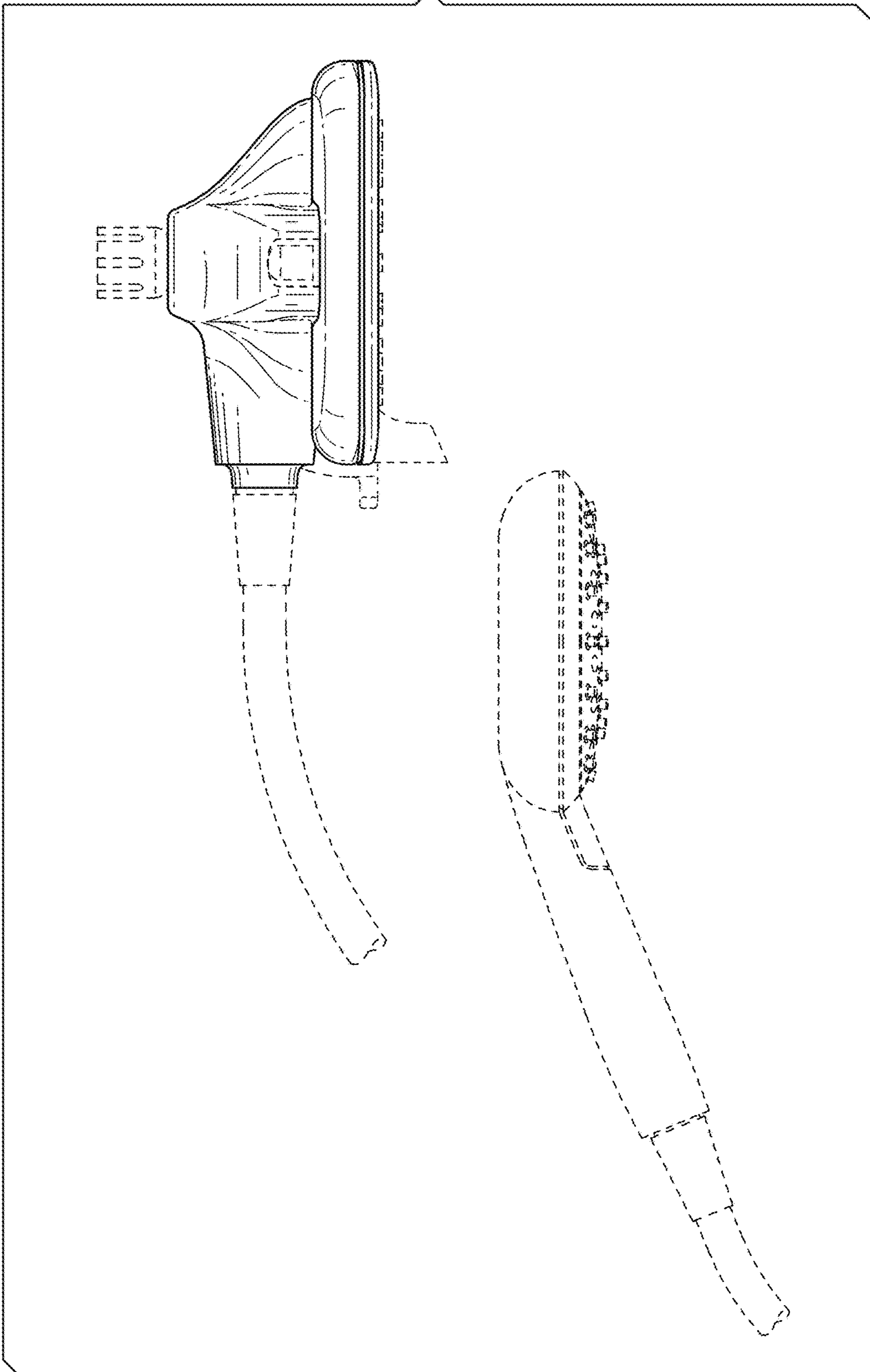


FIG. 6

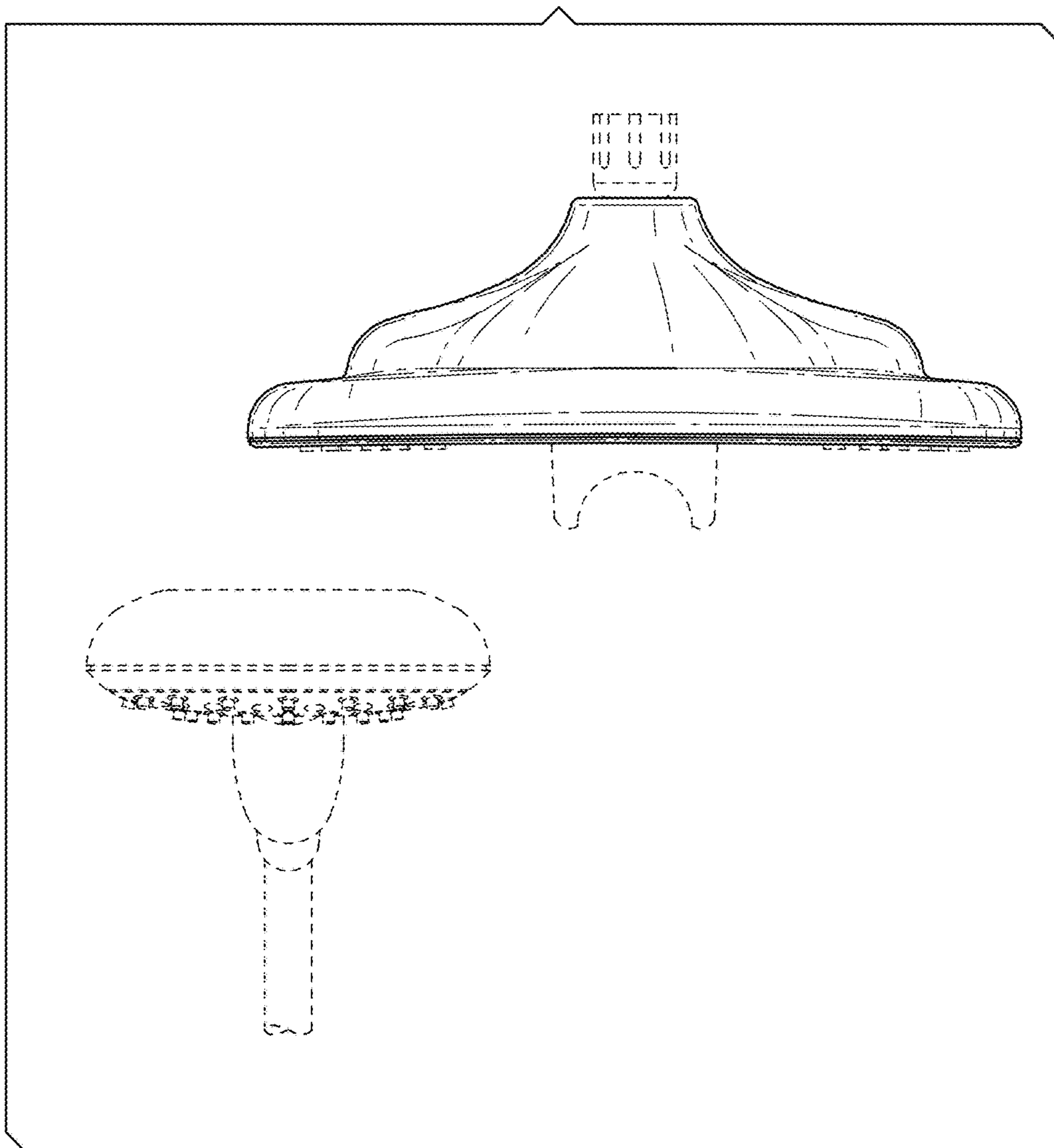


FIG. 7

